

[54] **ELECTRICAL CONNECTOR ASSEMBLY**

[75] **Inventor: Luigi Ricossa, Milan, Italy**

[73] **Assignee: reter S.p.a., Italy**

[\*\*] **Term: 14 Years**

[21] **Appl. No.: 267,793**

[22] **Filed: May 28, 1981**

[30] **Foreign Application Priority Data**

Nov. 28, 1980 [IT] Italy ..... 23507B/80

[52] **U.S. Cl. .... D13/24**

[58] **Field of Search ..... D13/24; 339/198 R, 198 G,  
339/196 R, 191 R, 195 R, 176, 157, 166 R, 174,  
102, 103, 154 R, 60, 61, 64, 28, 91 R, 186 R**

[56] **References Cited**

**U.S. PATENT DOCUMENTS**

D. 251,491 4/1979 Snyder, Jr. et al. .... D13/24  
3,125,394 3/1964 Appleton ..... 339/103 R X  
3,721,939 3/1973 Paugh ..... 339/91 R X

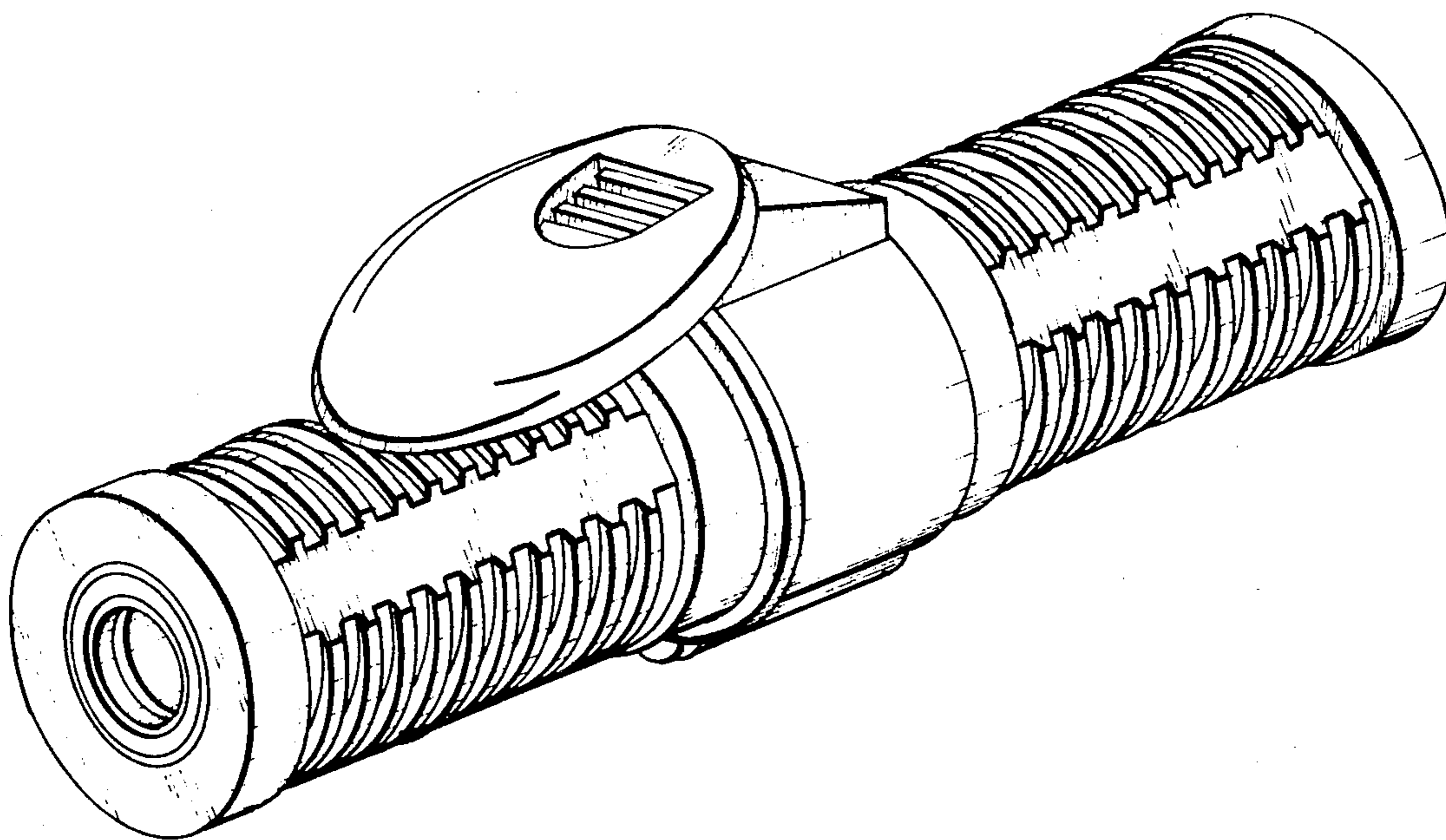
*Primary Examiner—Susan J. Lucas*  
*Attorney, Agent, or Firm—Darby & Darby*

[57] **CLAIM**

The ornamental design for an electrical connector assembly, as shown.

**DESCRIPTION**

FIG. 1 is a perspective view of the electrical connector assembly showing my new design;  
FIG. 2 is a perspective view of the opposite end thereof;  
FIG. 3 is a top plan view thereof;  
FIG. 4 is a side elevation thereof, the opposite side being identical thereto;  
FIG. 5 is a bottom plan view thereof;  
FIG. 6 is an elevation of one end thereof; and  
FIG. 7 is an elevation of the opposite end thereof.



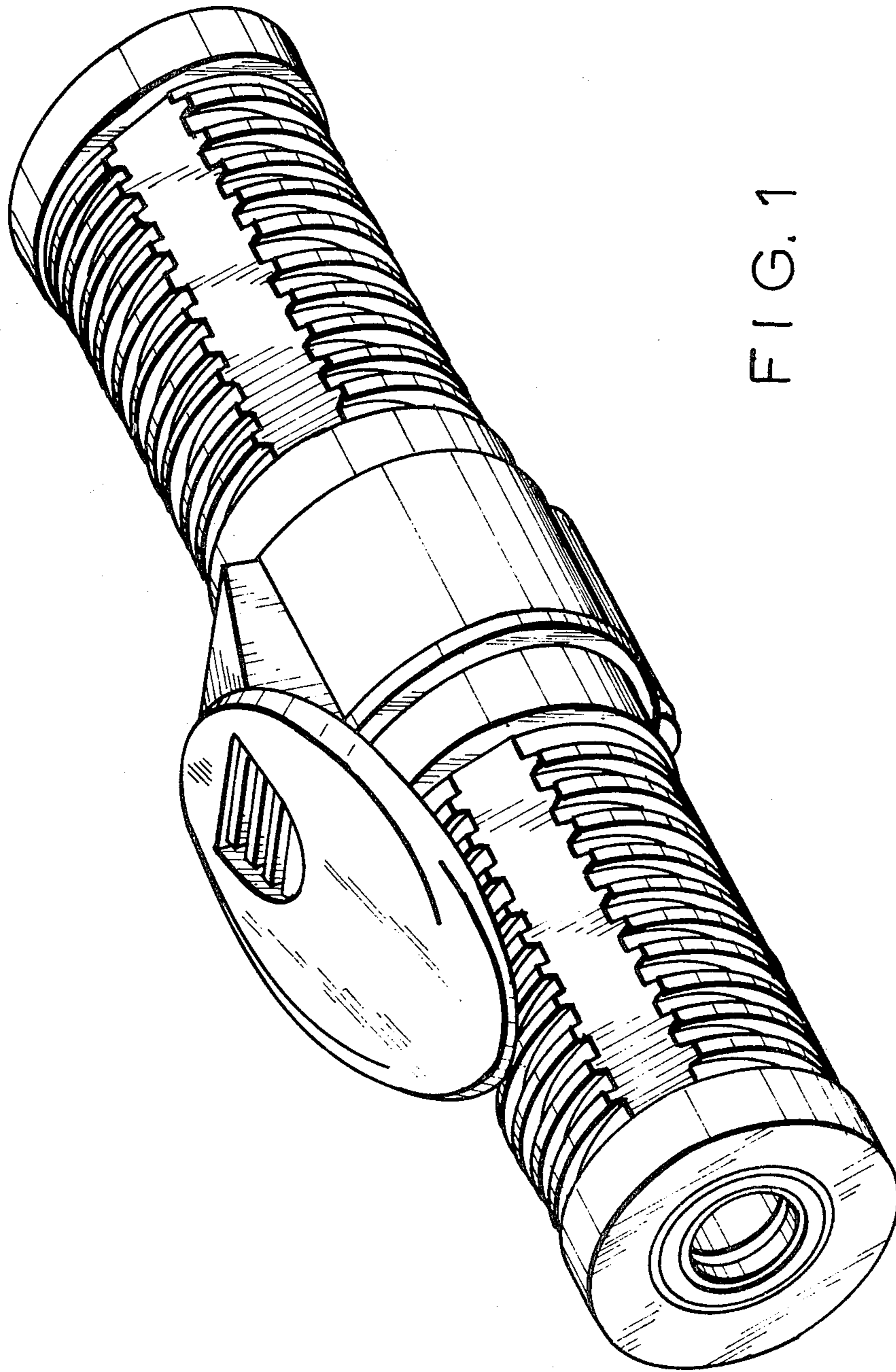


FIG. 1

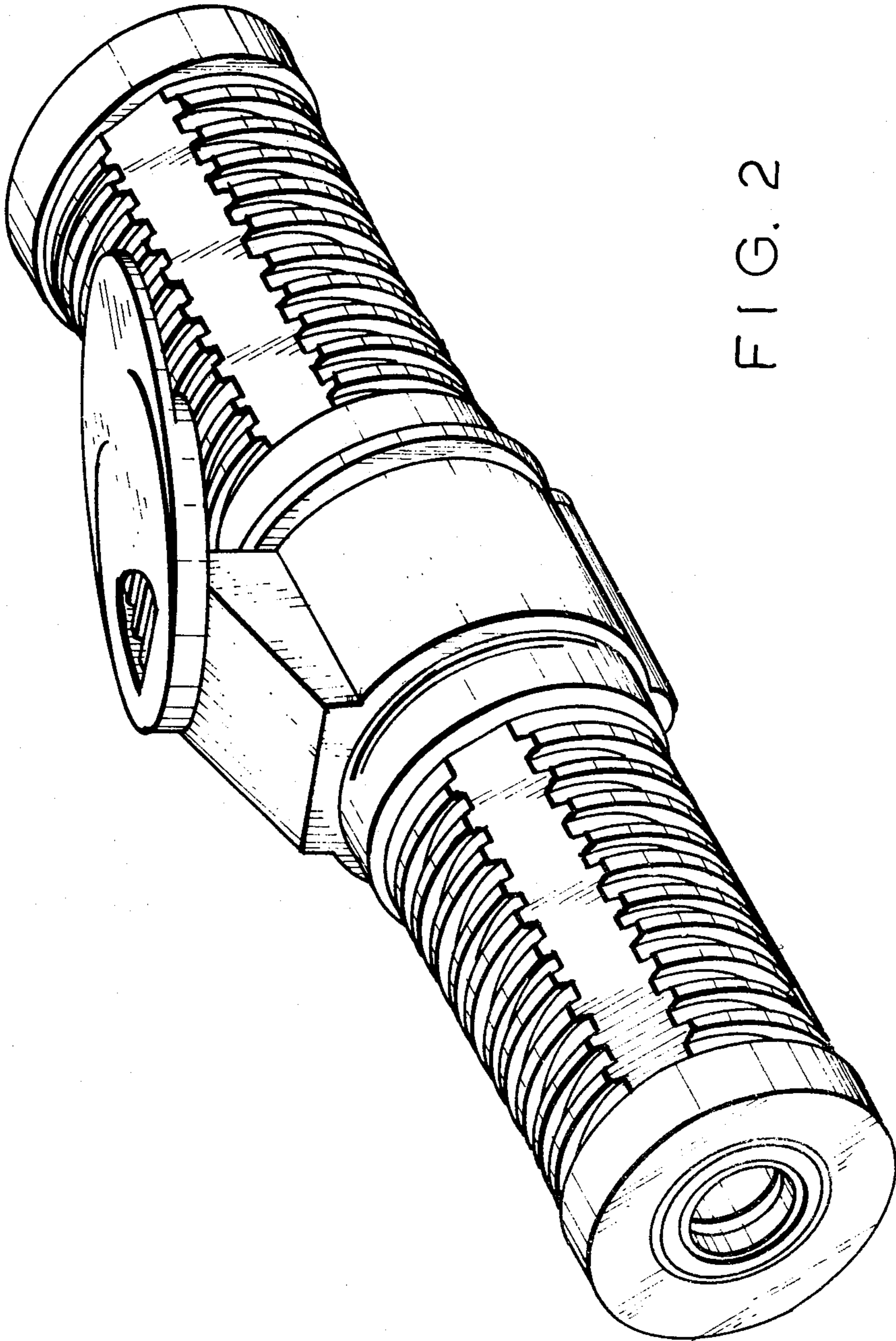


FIG. 2

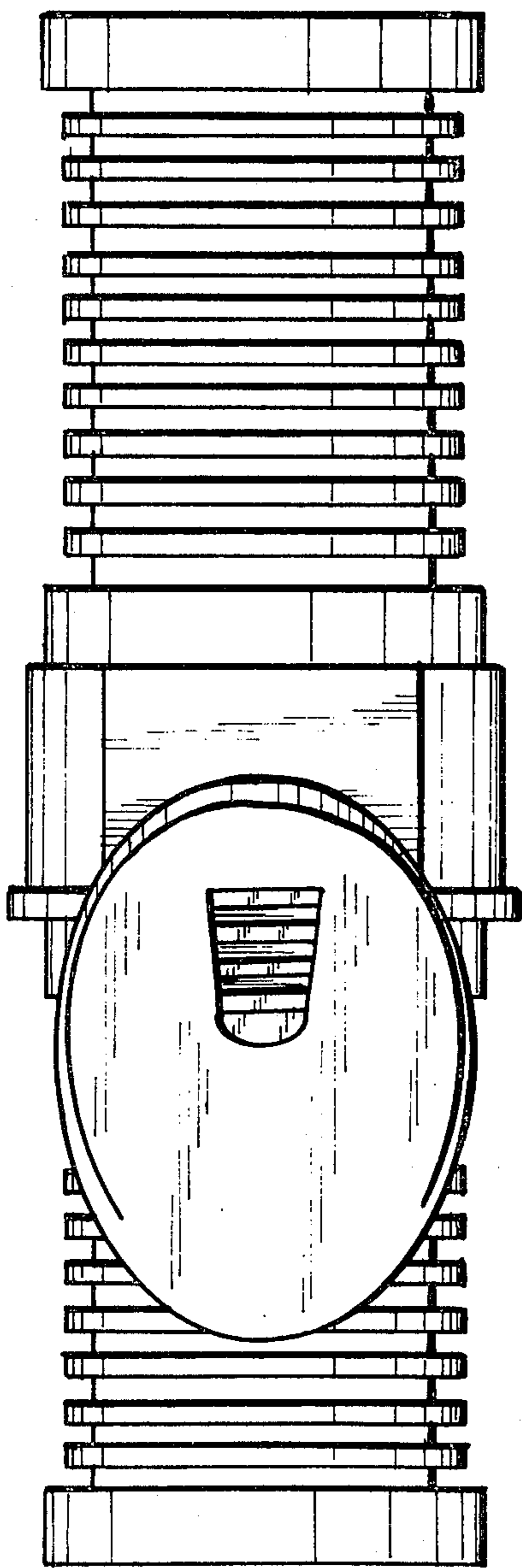


FIG. 3

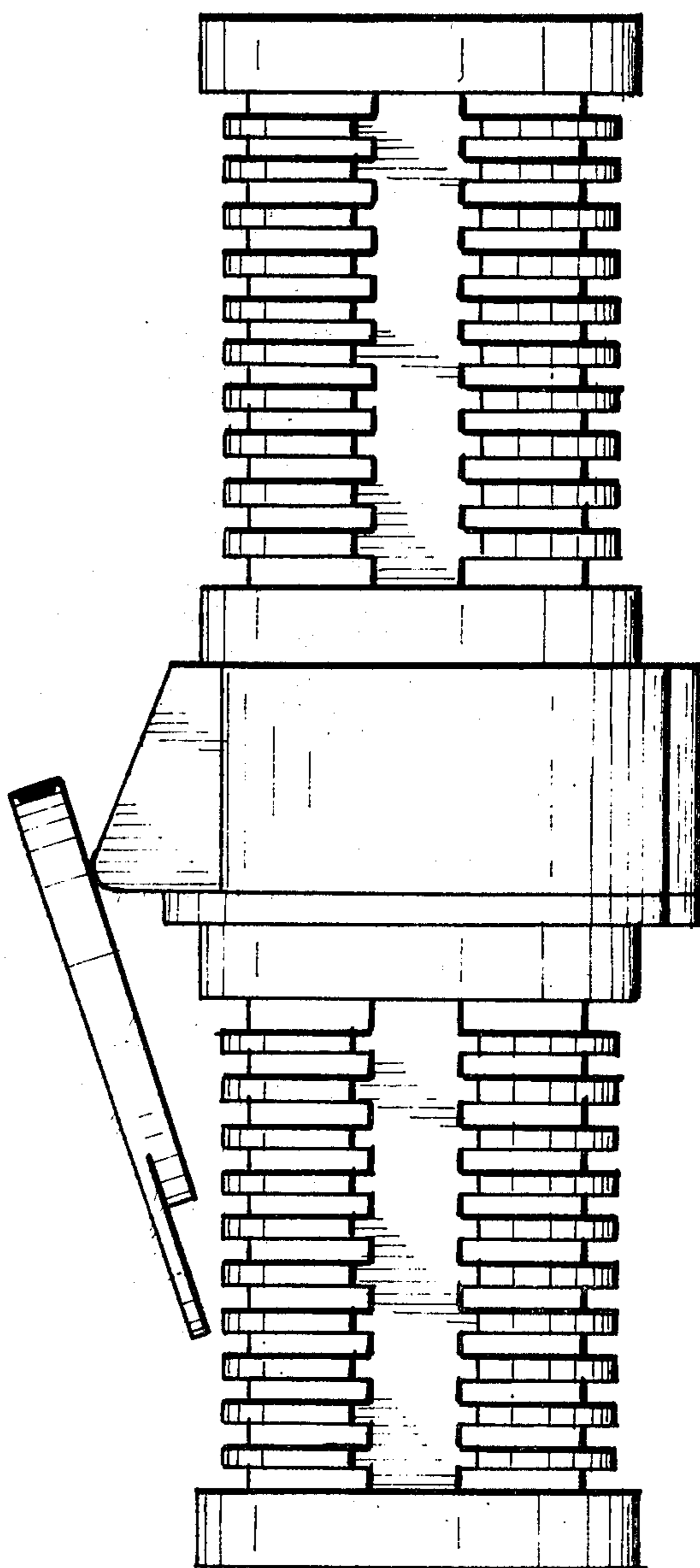


FIG. 4

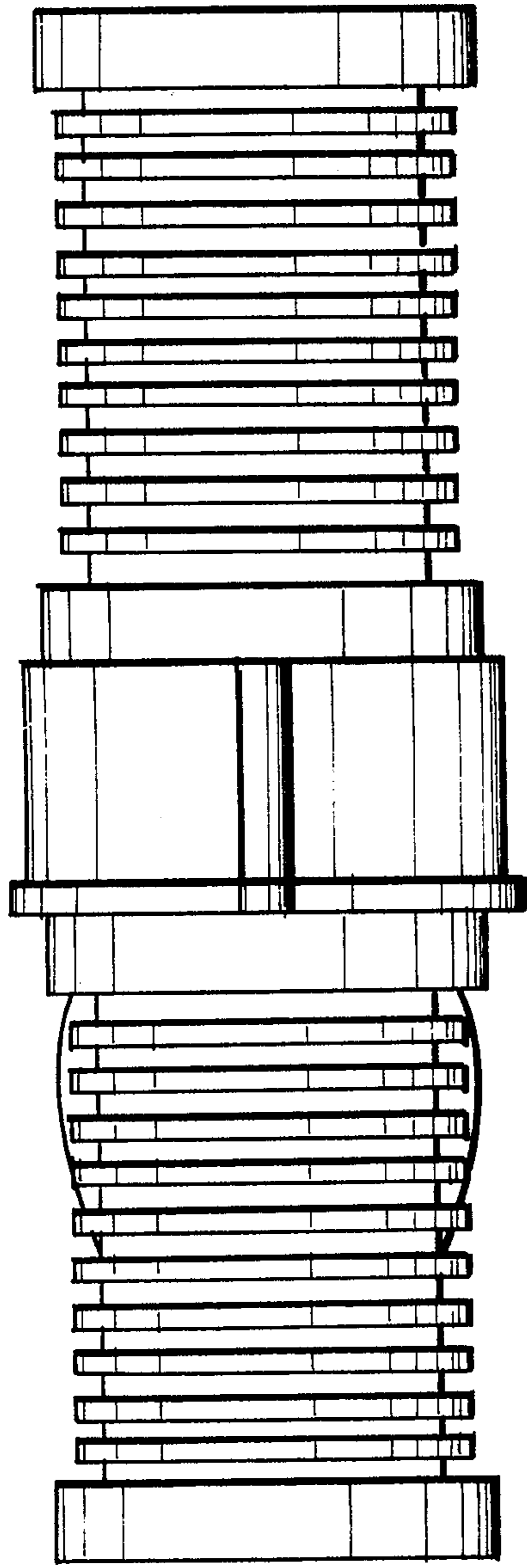


FIG. 5

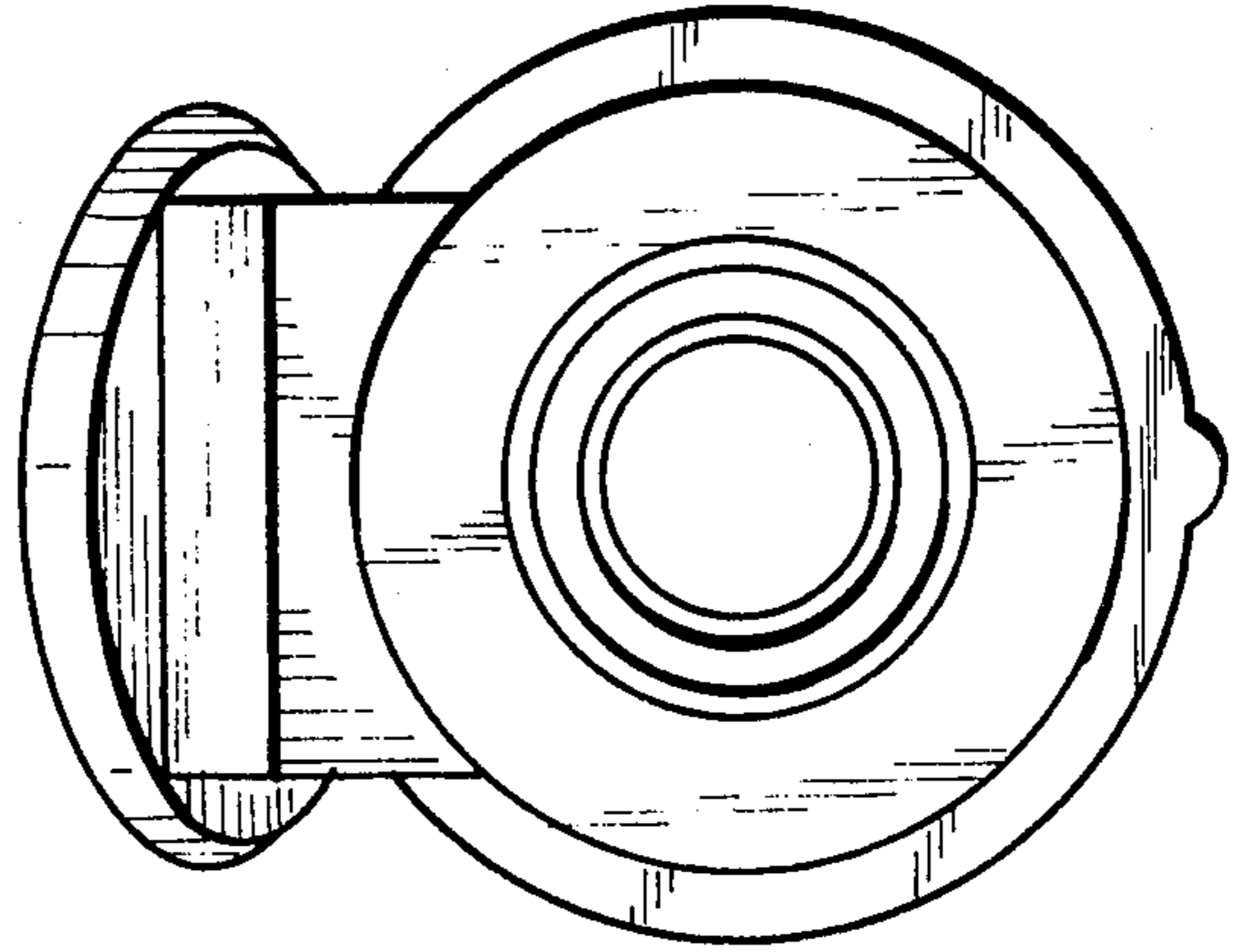


FIG. 7

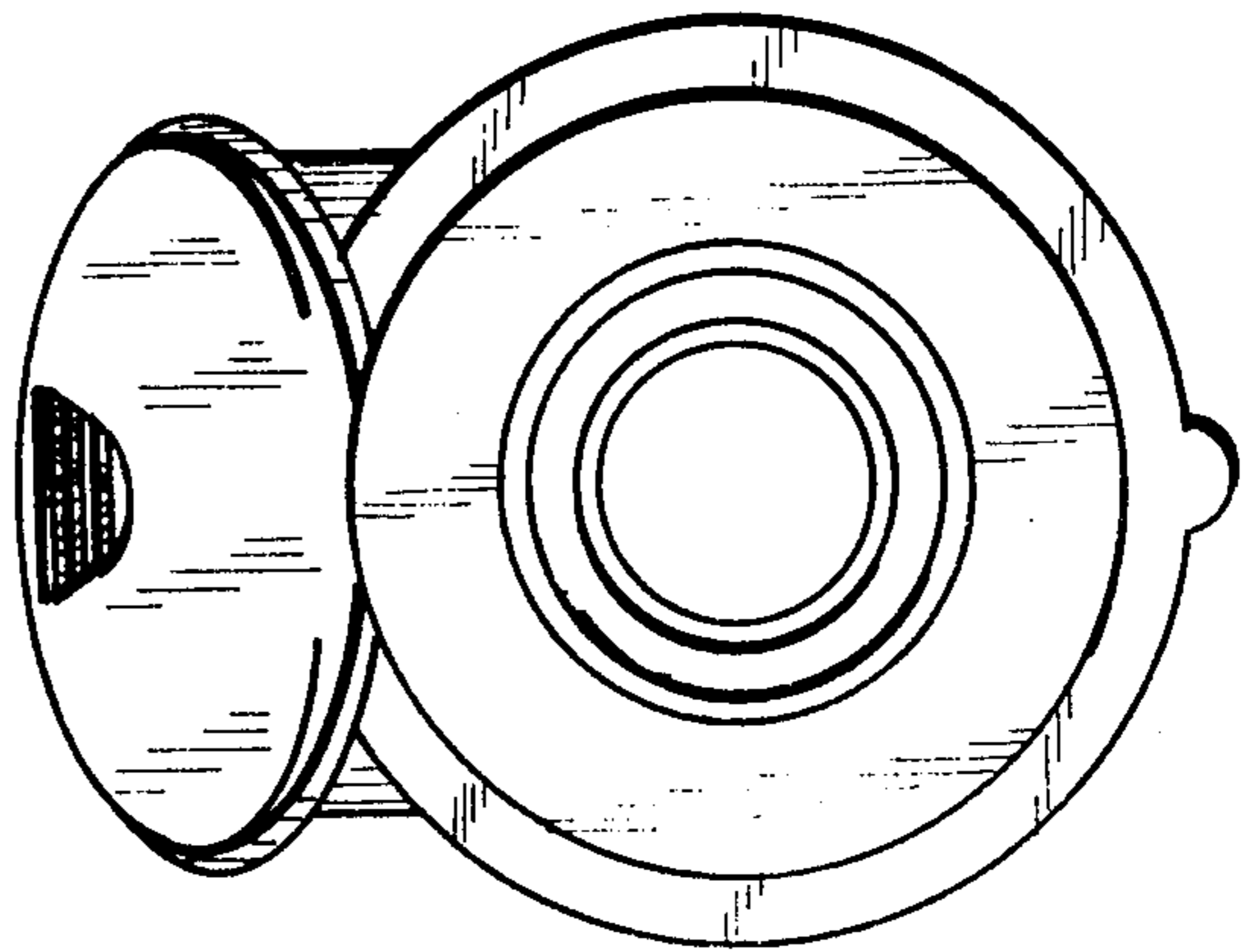


FIG. 6