

[54] **COMBINED BICYCLE PEDAL AND TOE CLIP**

[76] **Inventors:** Frank L. Buchanan, Jr., 4812 Frieda Dr., Los Angeles, Calif. 90065; Bob B. Buchanan, 23721 Monument Canyon Dr., Diamond Bar, Calif. 91765

[\*\*] **Term:** 14 Years

[21] **Appl. No.:** 381,042

[22] **Filed:** May 24, 1982

[52] **U.S. Cl.** ..... D12/125

[58] **Field of Search** ..... D12/125; 74/594.4, 594.6

[56] **References Cited**

**FOREIGN PATENT DOCUMENTS**

595853 7/1959 Italy ..... D12/125

**OTHER PUBLICATIONS**

American Bicyclist & Motorcyclist, 1/73, p. 117, Com-

bined Bicycle Pedal & Toe Clip, upper left center of page.

Toys & Bicycles, 9/38, back cover, Wald No. 84 Pedal, top center of page.

Bicycle Components ABS Industries Catalog, p. 9, Molded Block Pedal, "©", bottom center of page.

*Primary Examiner*—James M. Gandy

*Attorney, Agent, or Firm*—Gausewitz, Carr, Rothenberg & Edwards

[57] **CLAIM**

The ornamental design for a combined bicycle pedal and toe clip, substantially as shown and described.

**DESCRIPTION**

FIG. 1 is a perspective view showing the rear and one side of a combined bicycle pedal and toe clip incorporating our new design;

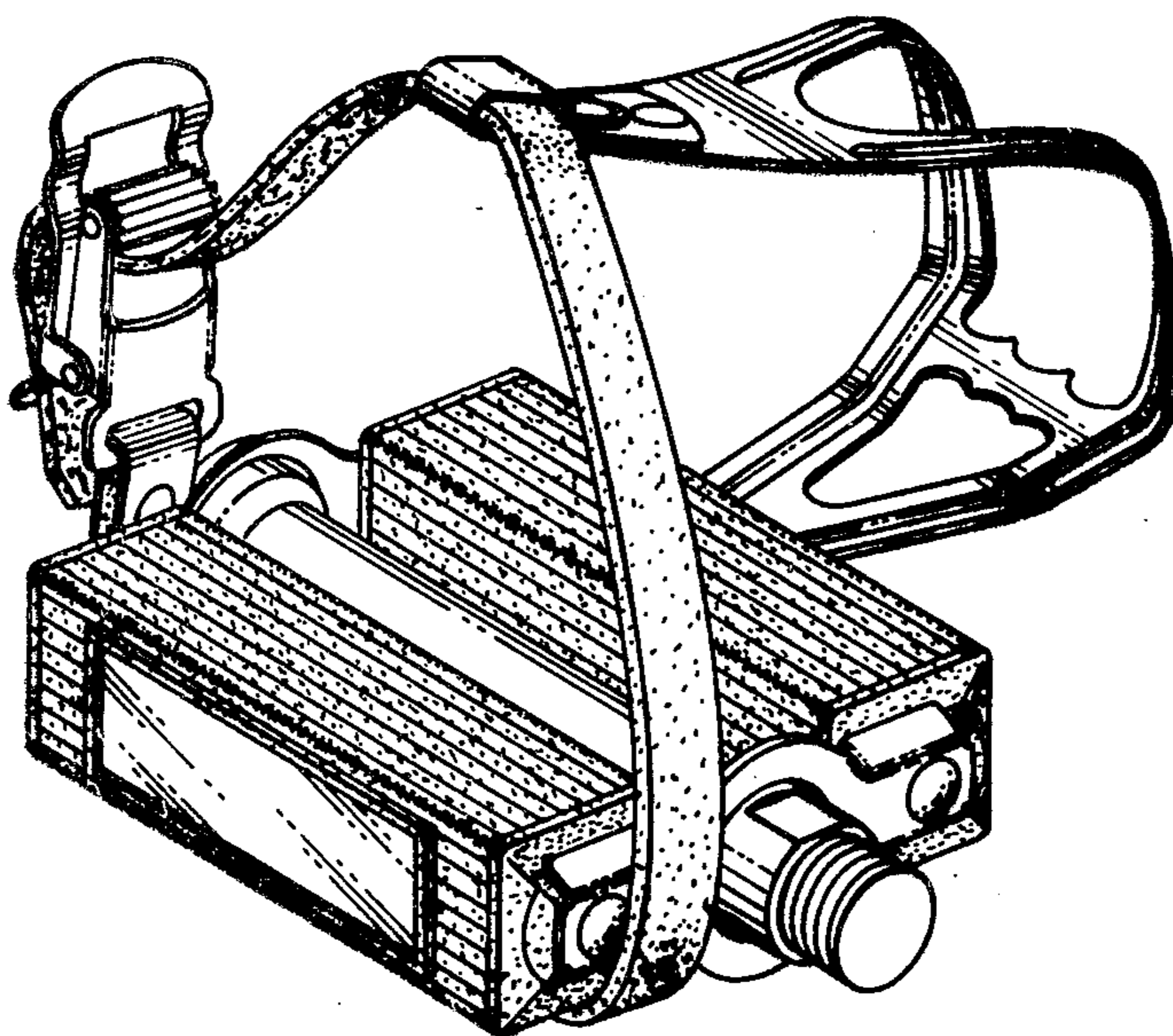
FIG. 2 is a top plan view thereof;

FIG. 3 is a side elevation view thereof of the side not shown in FIG. 1;

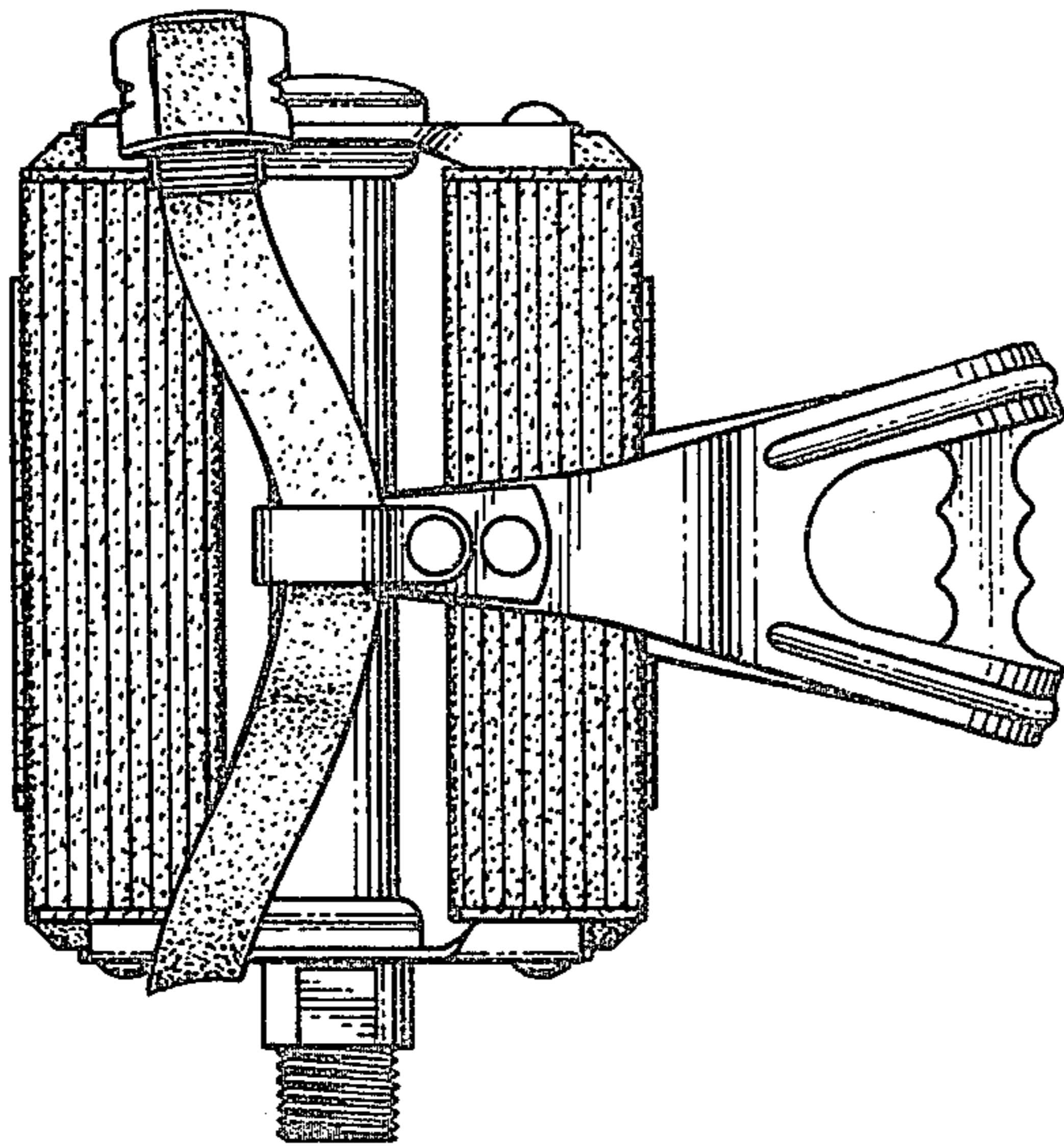
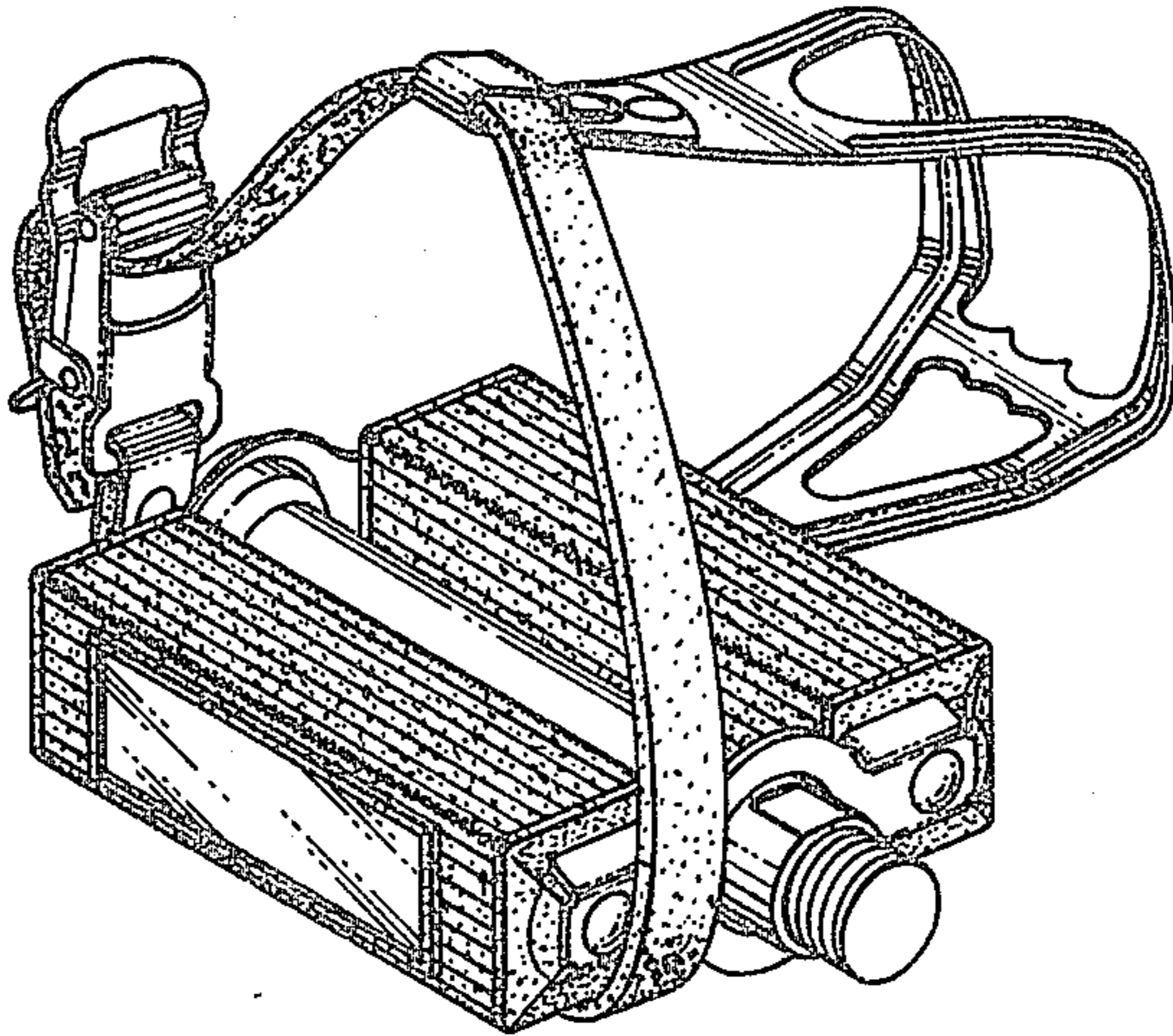
FIG. 4 is a front elevation view thereof;

FIG. 5 is a rear elevation view thereof; and,

FIG. 6 is a bottom plan view thereof.

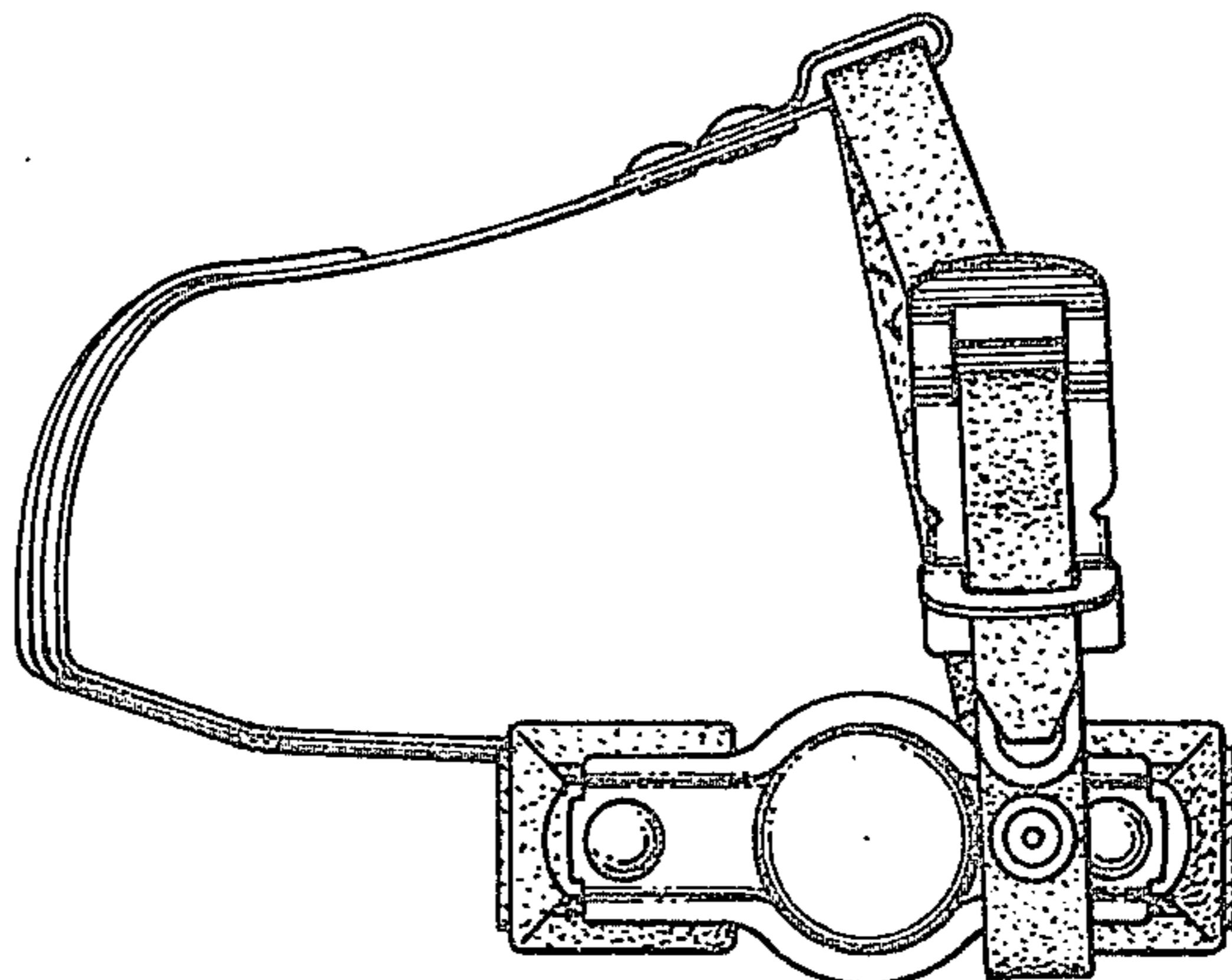


*FIG. 1.*

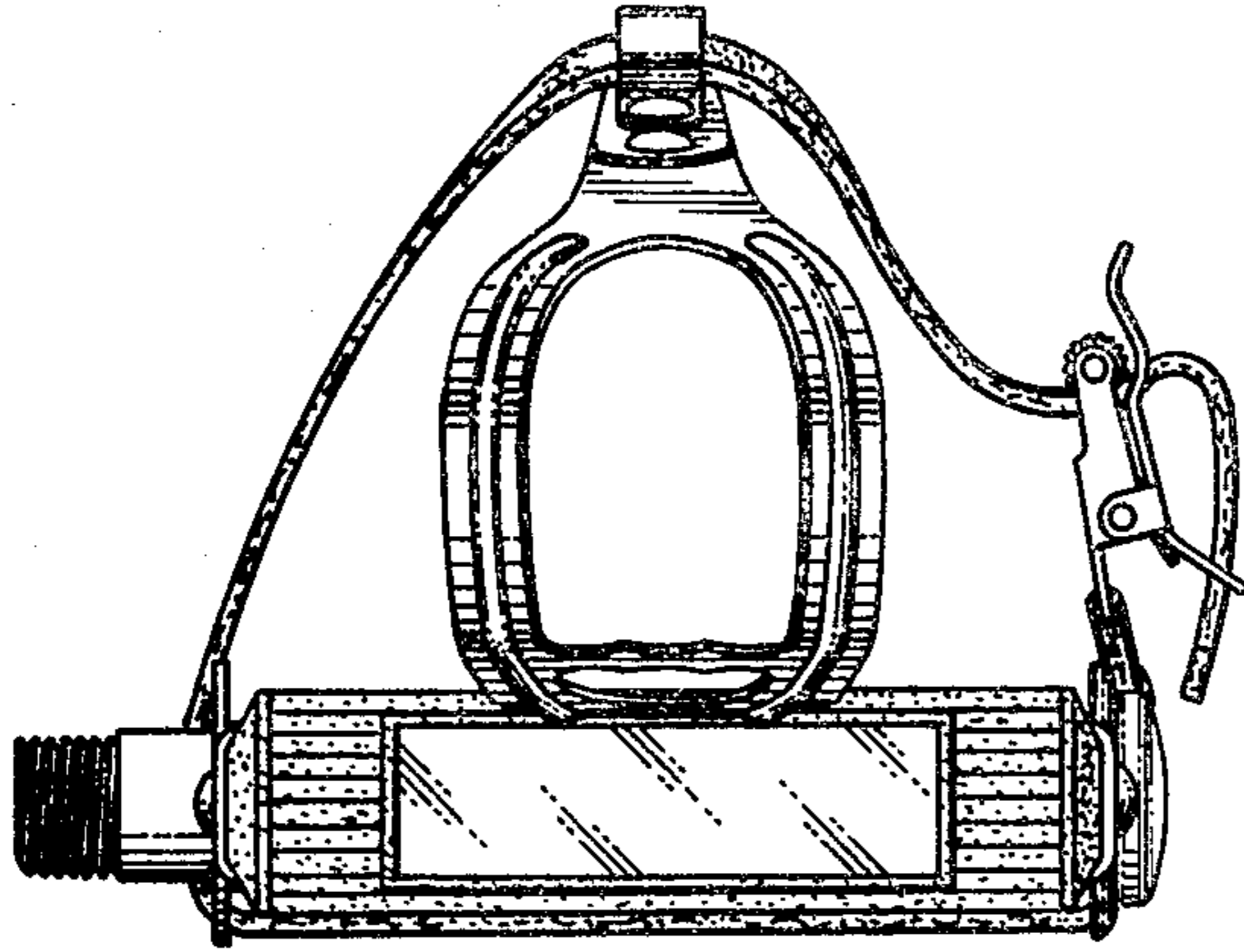


*FIG. 2.*

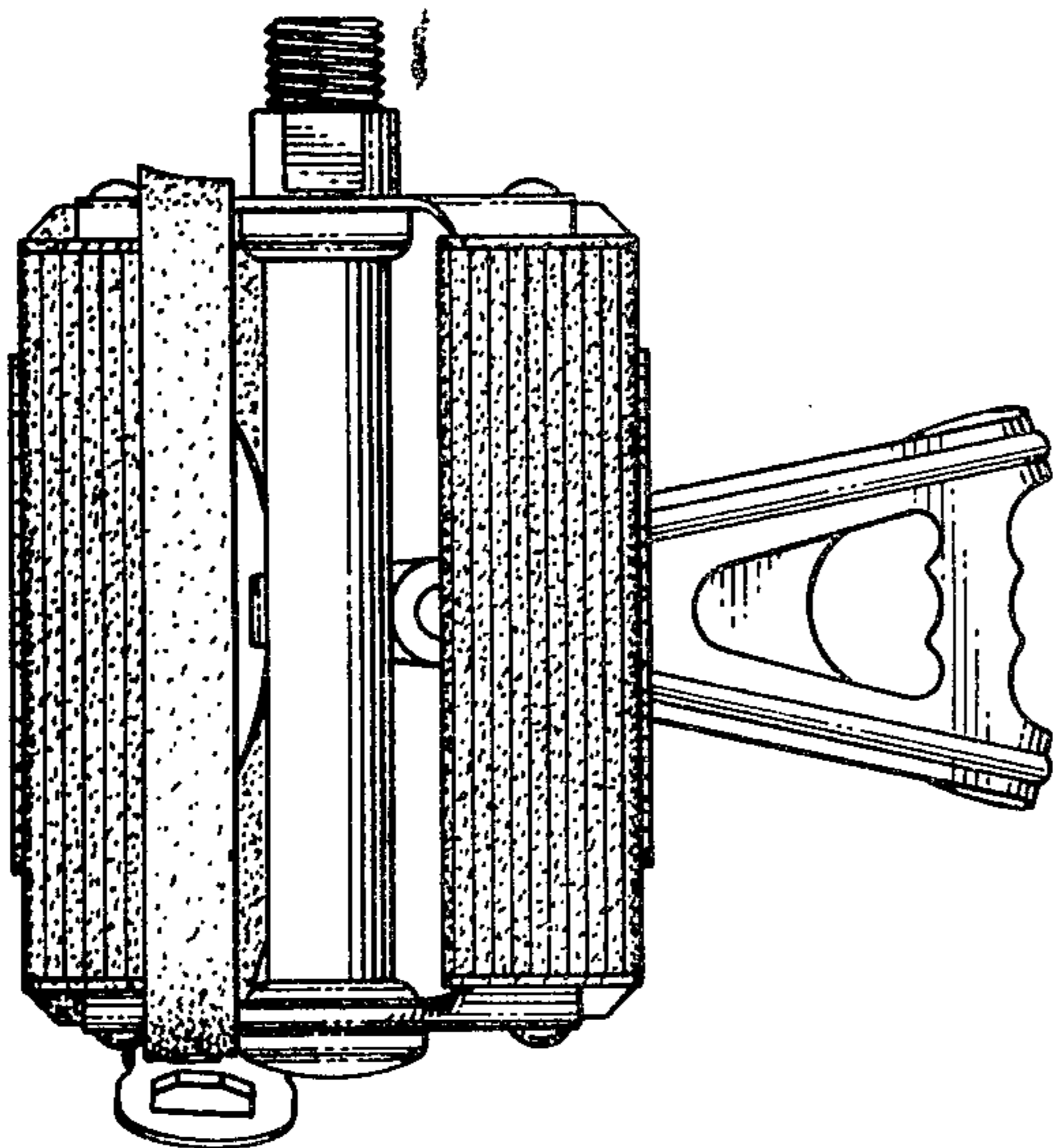
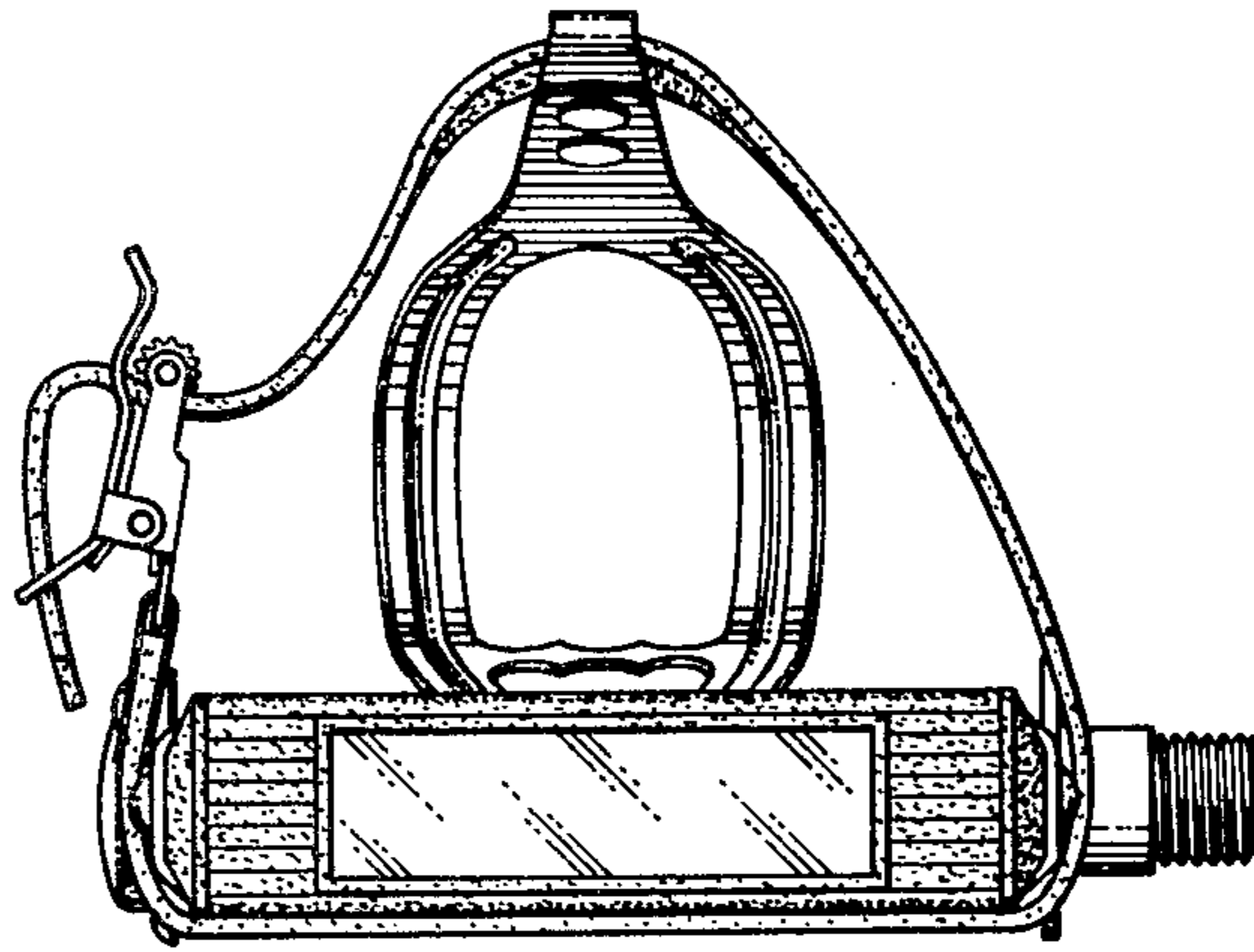
*FIG. 3.*



*FIG. 4.*



*FIG. 5.*



*FIG. 6.*