

[54] **TEMPERATURE LEVEL ALARM**

[76] **Inventors: Donald G. Gilbert, 221 Springdale, Derby, Kans. 67037; Roy E. Hastings, 110 E. 82nd St., South, Wichita, Kans. 67233**

[**] **Term: 14 Years**

[21] **Appl. No.: 432,531**

[22] **Filed: Oct. 4, 1982**

[52] **U.S. Cl. D10/106**

[58] **Field of Search D10/104, 106; 340/530, 340/540, 542, 545-547, 552, 561, 565-566, 568, 576-581, 584, 585, 586, 588; 116/4, 5, 6, 7, 8, 9, 67 R, 75, 77, 85.6, 107, 112, 214, 216, 137 R, 141, 142, 147, 148, 149, 166, DIG. 38, 44**

[56] **References Cited**

U.S. PATENT DOCUMENTS

D. 269,256 6/1983 McMillan D10/106
3,753,259 8/1973 Donovan 340/585
3,959,787 5/1976 Messmanne 116/4

OTHER PUBLICATIONS

Electronics Today International, 12/1977, p. 30, Freezer Alarm in middle of page.

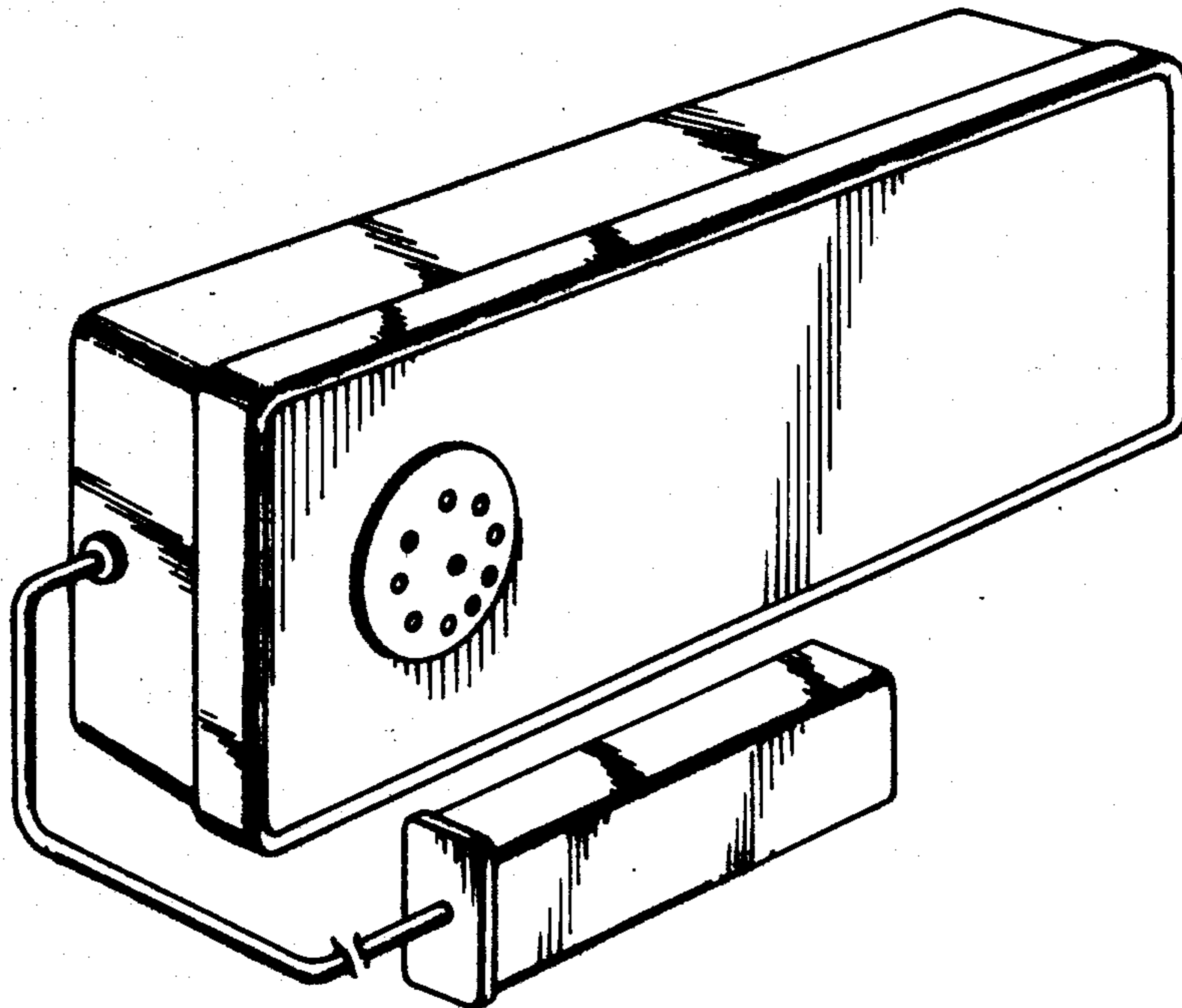
Primary Examiner—Wallace R. Burke
Assistant Examiner—Suzanne N. Gitlin
Attorney, Agent, or Firm—Kokjer, Kircher, Bradley, Wharton, Bowman & Johnson

[57] **CLAIM**

The ornamental design for a temperature level alarm, as shown and described.

DESCRIPTION

FIG. 1 is a front perspective view of a temperature level alarm embodying our new design; FIG. 2 is a front elevational view thereof; FIG. 3 is an end elevational view thereof; FIG. 4 is a top plan view thereof, the bottom being substantially identical in appearance with the top; FIG. 5 is a rear elevational view thereof; and FIG. 6 is an end elevational view thereof showing the end opposite that shown in FIG. 6.



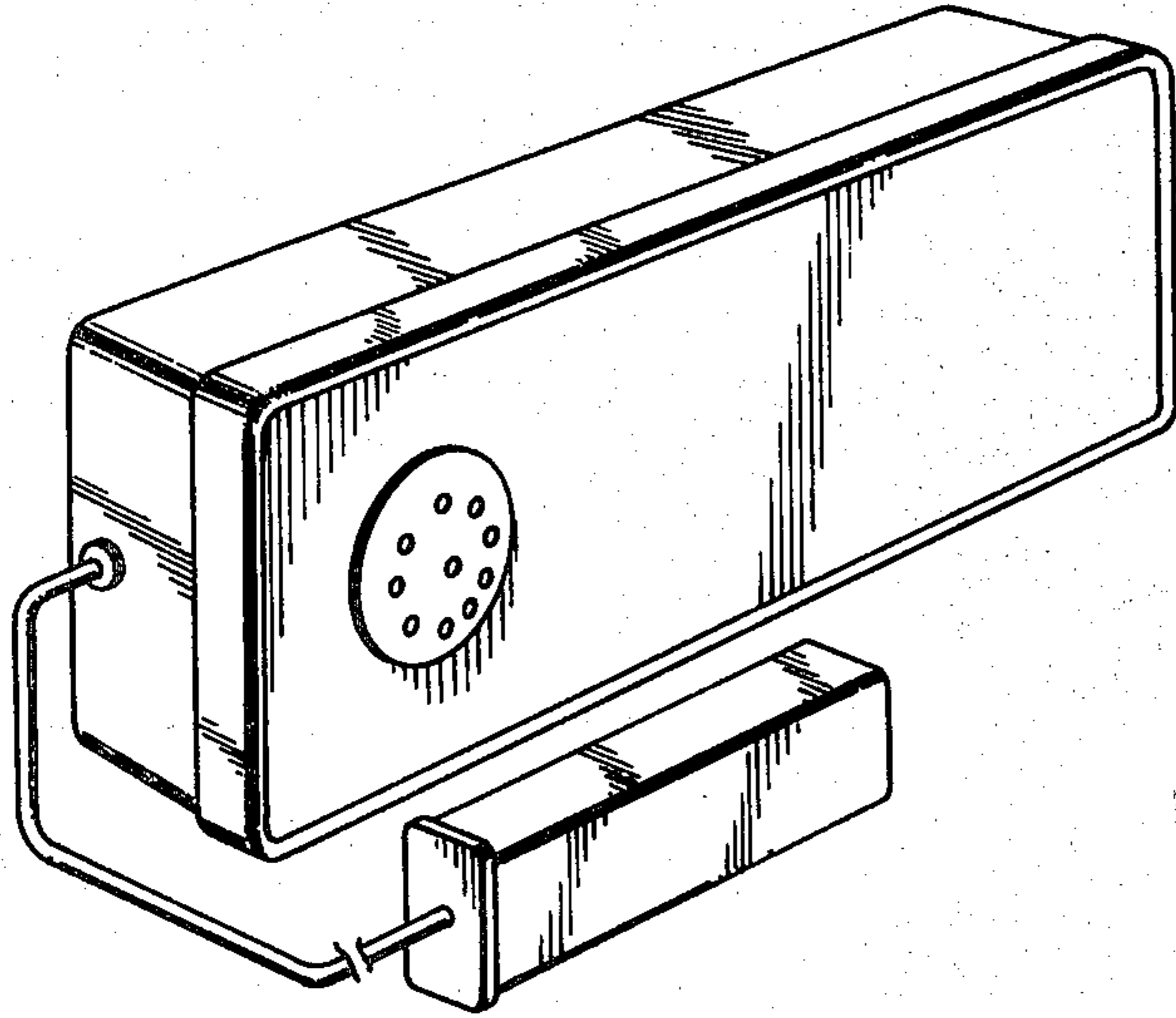


Fig. 1.

Fig. 2.

Fig. 3.

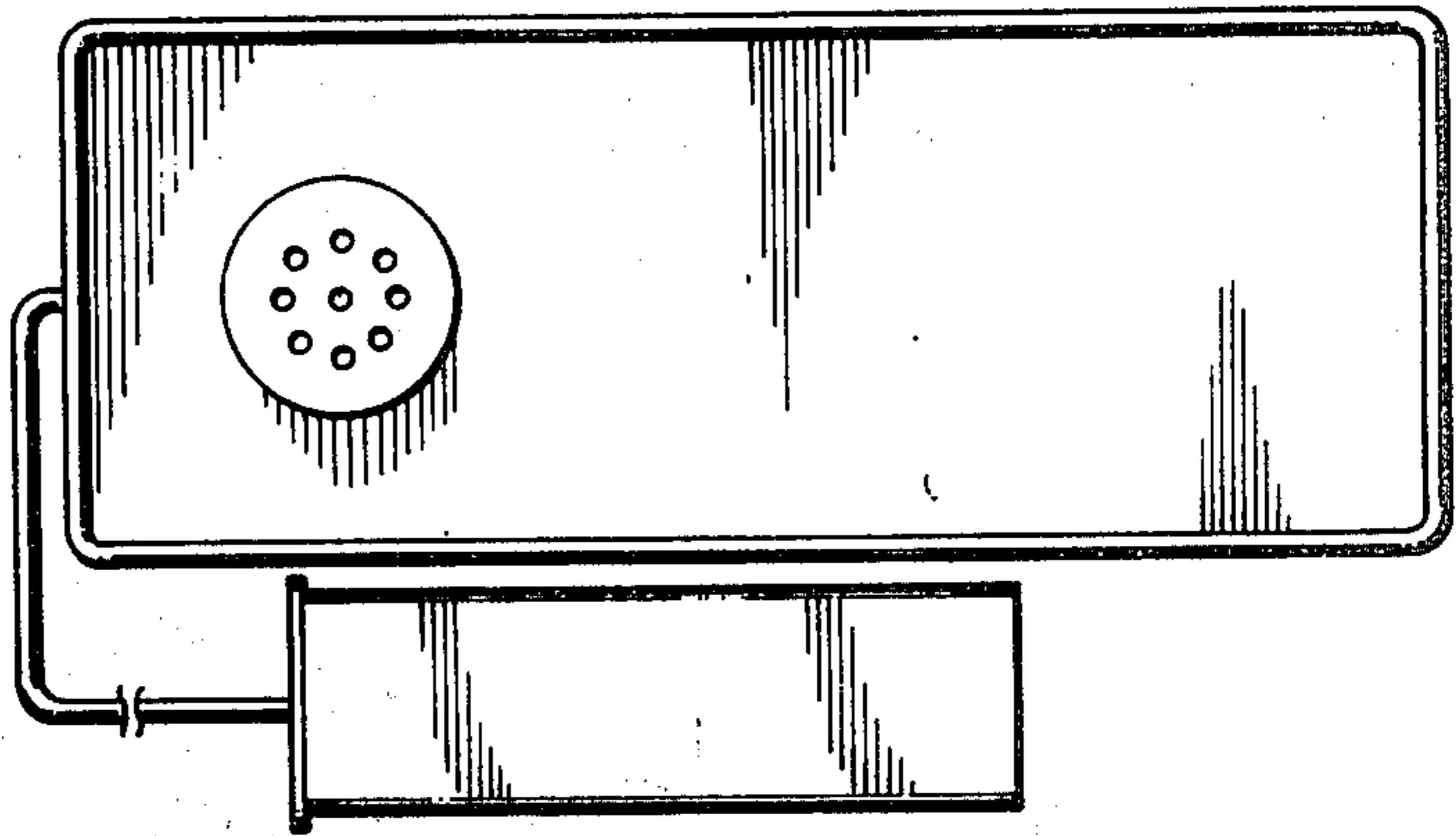
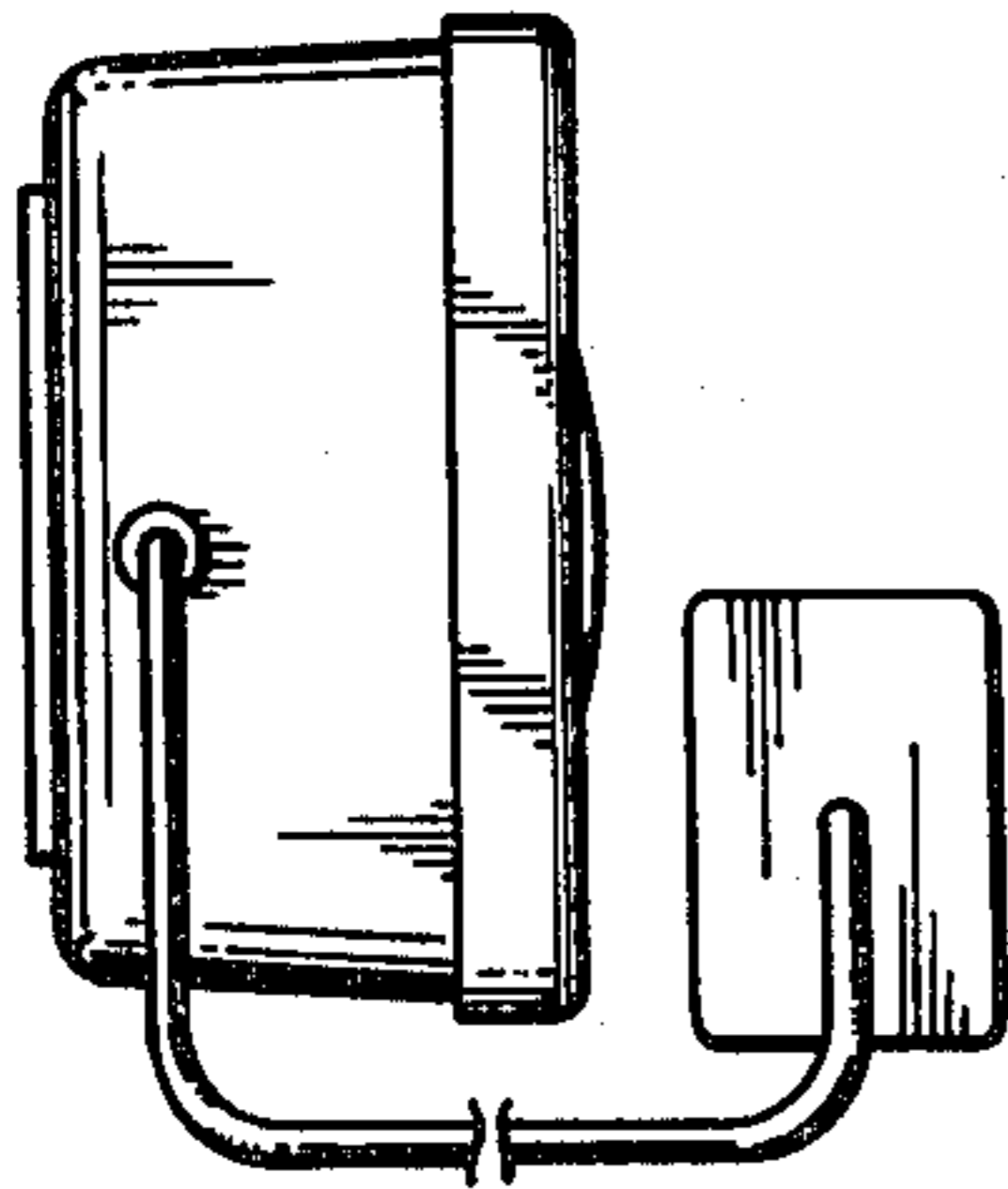


Fig. 4.

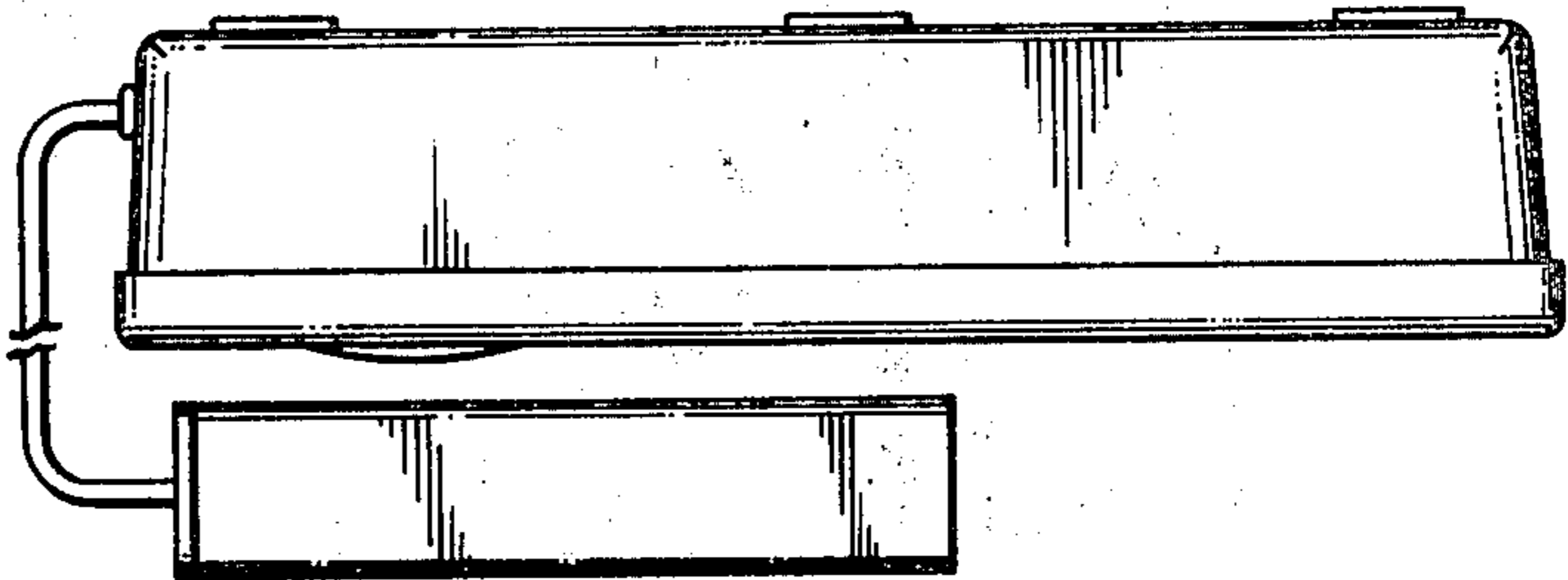


Fig. 5.

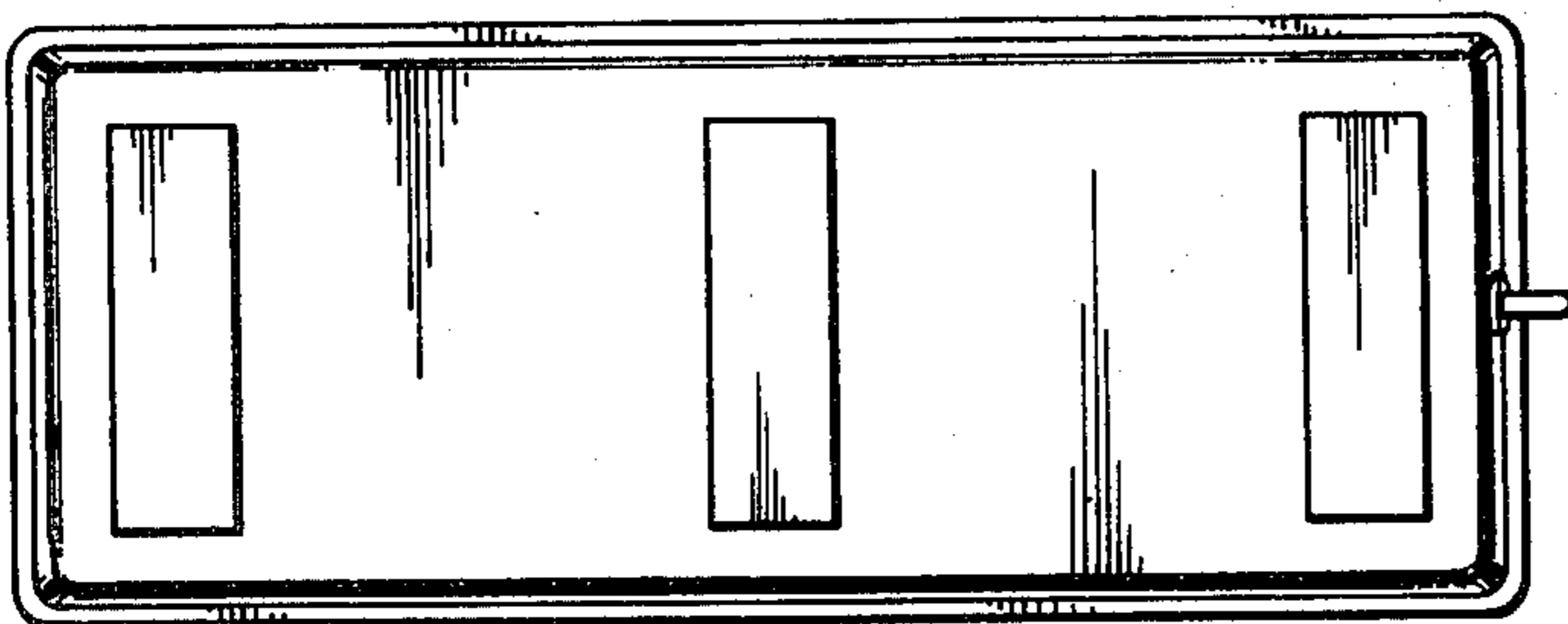


Fig. 6.

