

[54] CAN RESEALER

3,472,416 10/1969 Hilton D9/439 X
3,780,898 12/1973 Menkel D9/454 X

[76] Inventor: Robert S. Lutzker, 21 Lee Ave., East Williston, N.Y. 11596

Primary Examiner—Robert C. Spangler
Attorney, Agent, or Firm—Kane, Dalsimer, Kane, Sullivan and Kurucz

[**] Term: 14 Years

[21] Appl. No.: 387,026

[57] CLAIM

[22] Filed: Jun. 10, 1982

The ornamental design for a can resealer, substantially as shown and described.

[52] U.S. Cl. D9/439; D9/454

[58] Field of Search D9/454, 439, 436; 220/306, DIG. 19, 200, 278; 215/296, 355, 200

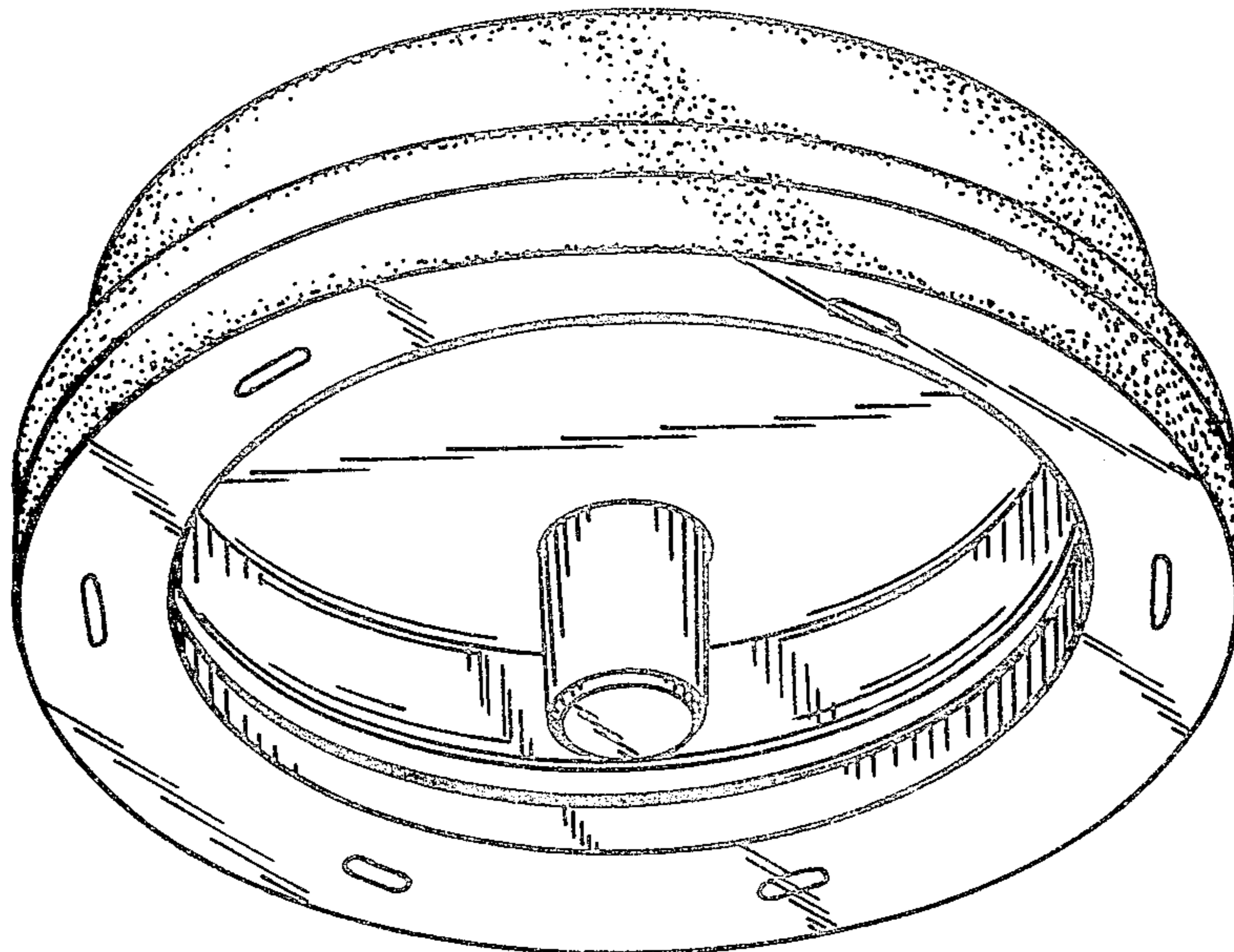
DESCRIPTION

[56] References Cited

FIG. 1 is a top perspective view of a can resealer showing my new design;
FIG. 2 is a bottom perspective view thereof;
FIG. 3 is a side elevational view thereof;
FIG. 4 is a top plan view thereof; and
FIG. 5 is a bottom plan view thereof.
The stippling represents a roughened surface texture.

U.S. PATENT DOCUMENTS

D. 23,091	7/1894	Bailey	D9/439
D. 248,545	7/1978	Summers	D9/439
D. 256,672	9/1980	Beck	D9/454
D. 264,690	6/1982	Bagwell	D9/454



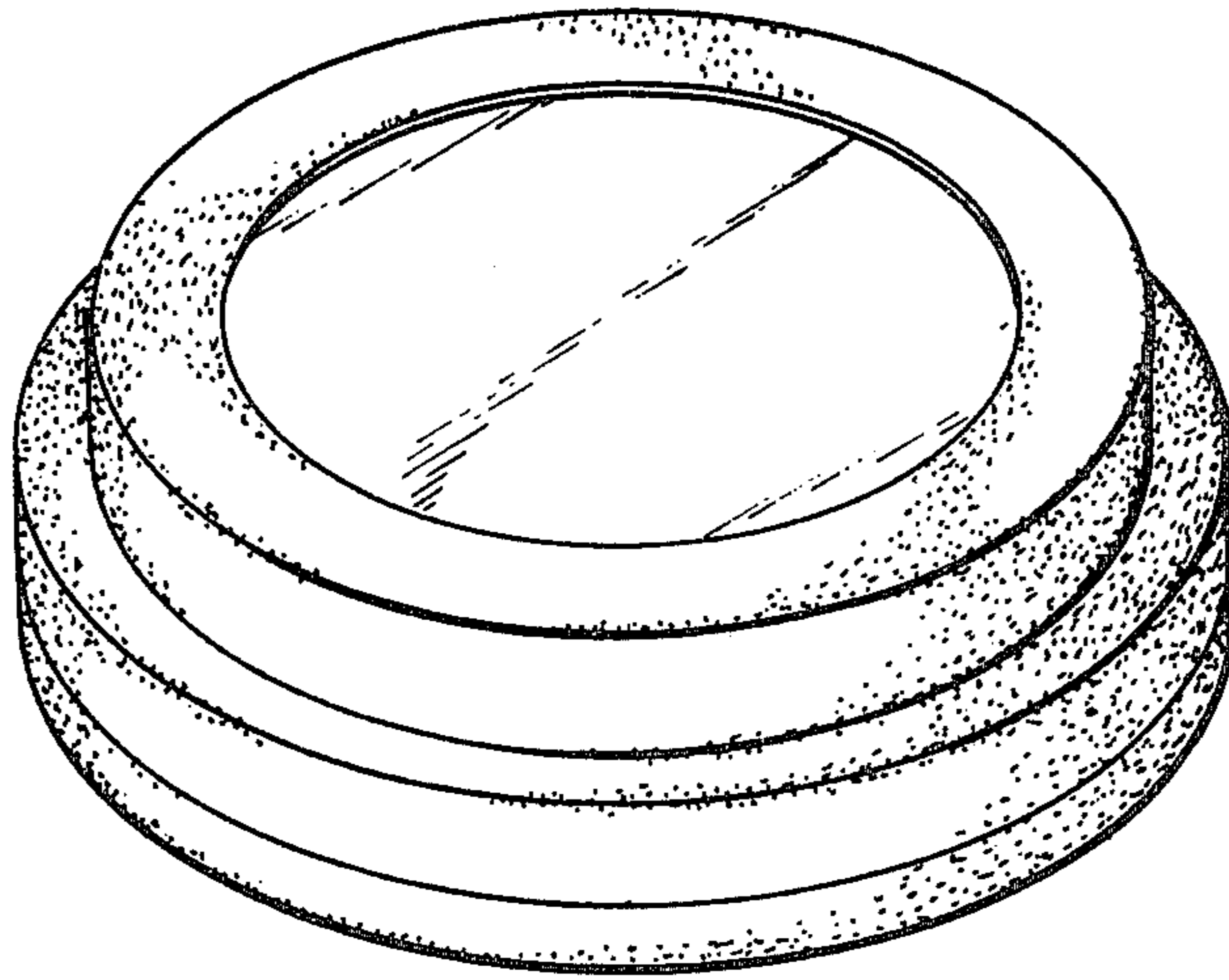


FIG. 1

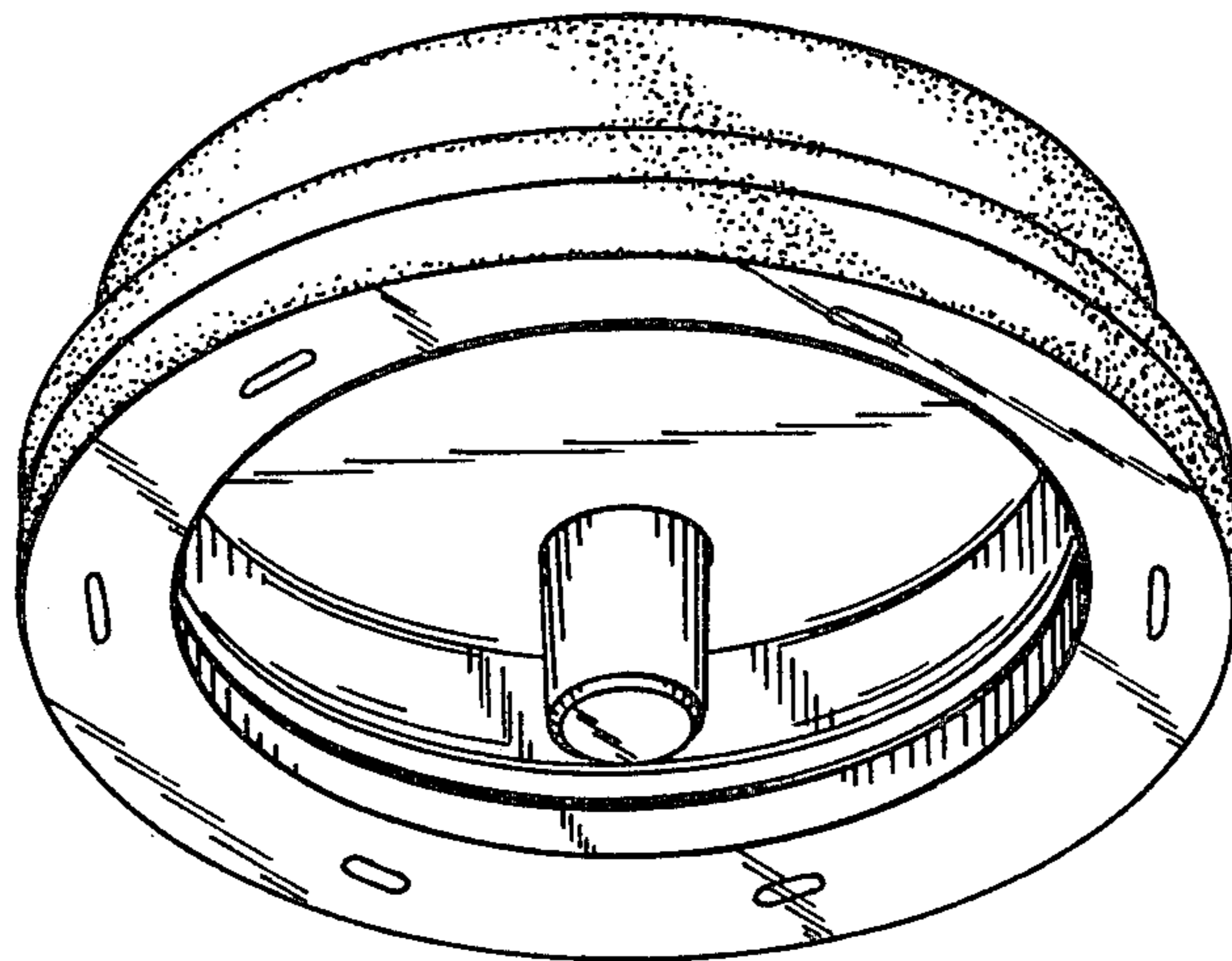


FIG. 2



FIG. 3

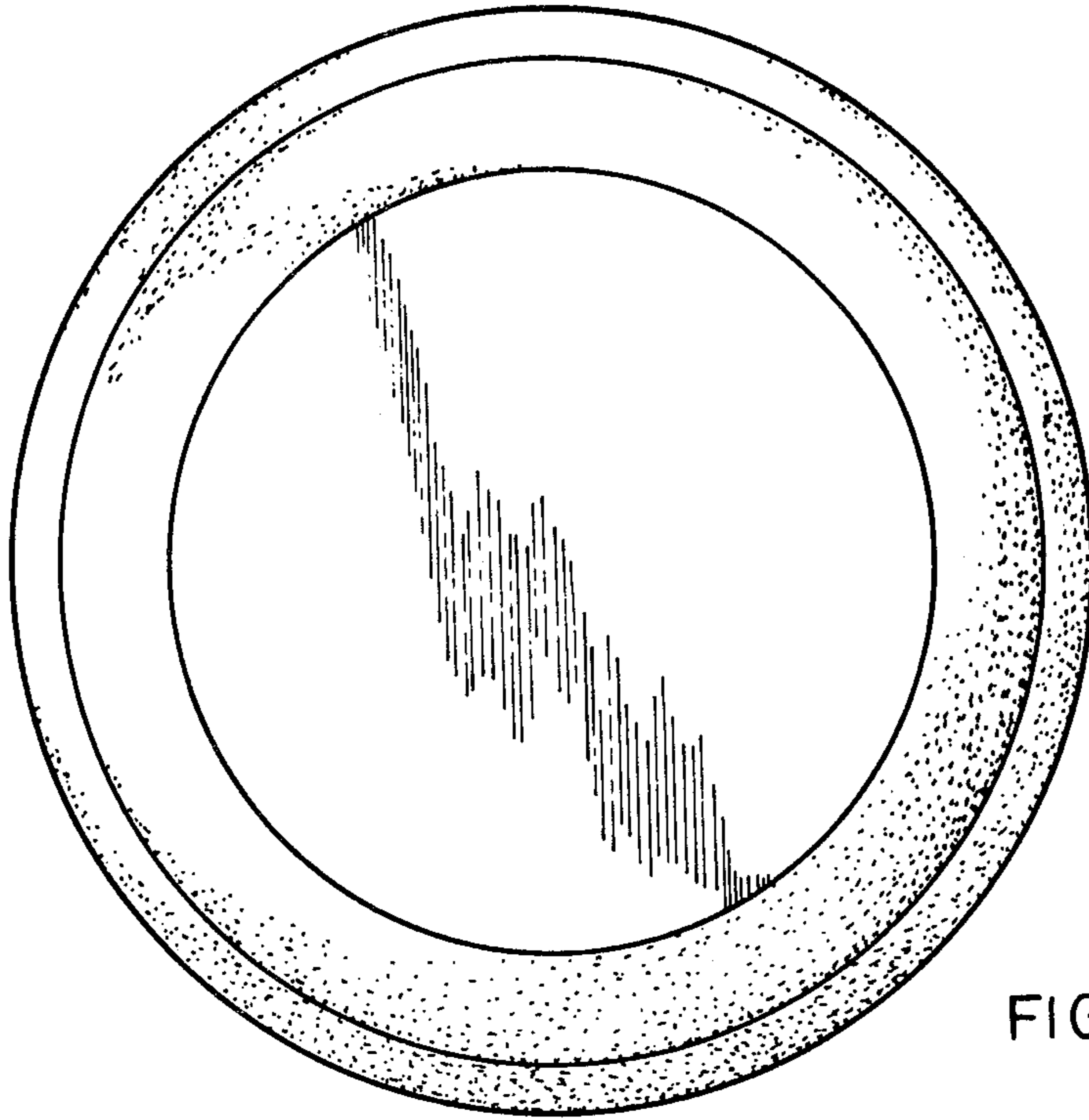


FIG. 4

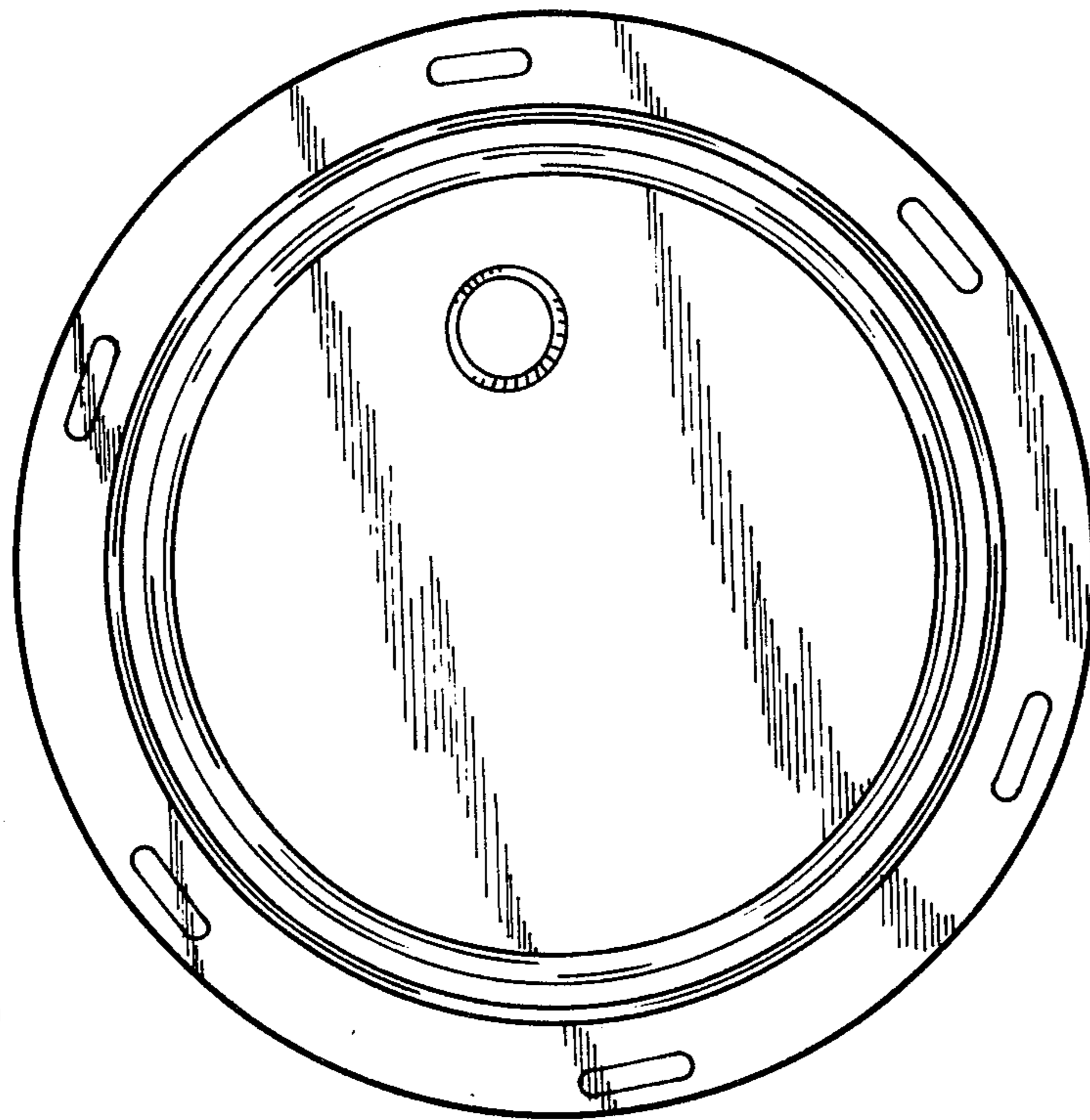


FIG. 5