

[54] COMBINED MEDICATION DISPENSER AND CASSETTE

[75] Inventor: Jack W. Malpass, Andover, N.J.

[73] Assignee: Berlex Laboratories, Inc., Cedar Knolls, N.J.

[**] Term: 14 Years

[21] Appl. No.: 321,667

[22] Filed: Nov. 16, 1981

[52] U.S. Cl. D9/341; D3/74; D9/420; D9/423; D9/424

[58] Field of Search D3/74, 75, 73; D9/341, D9/378, 420-423; D7/76, 77; 206/538

[56] References Cited

U.S. PATENT DOCUMENTS

D. 259,167	5/1981	Daenen	D7/76
3,225,913	12/1965	Lee	D9/341
3,703,955	11/1972	Inacker	206/538
4,038,937	8/1977	Moe	206/538
4,344,646	8/1982	Michel	D3/73

OTHER PUBLICATIONS

Vichek Plastics Co. Flyer #1L5657, p. 1, Item No. KM824.

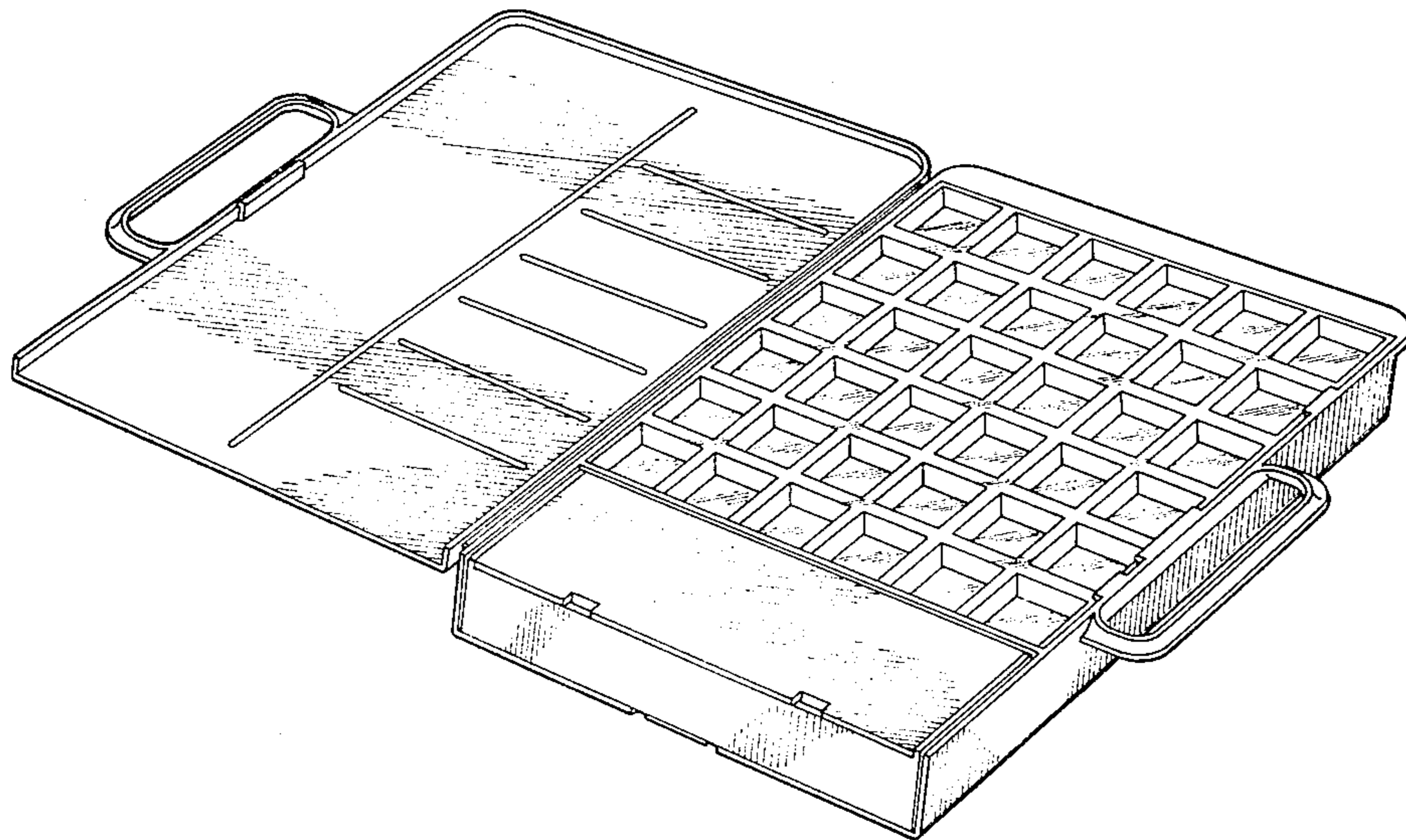
Primary Examiner—George P. Word
Attorney, Agent, or Firm—Anibal Jose Cortina; I. William Millen; Elizabeth A. Bellamy

[57] CLAIM

The ornamental design for a combined medication dispenser and cassette, substantially as shown and described.

DESCRIPTION

FIG. 1 is a perspective view of a combined medication dispenser and cassette showing my new design in the open condition to expose the arrangement of the cavities covered by a transparent inner lid having corresponding depressed portions into each cavity; FIG. 2 is a perspective view as in FIG. 1 with the cassette removed; FIG. 3 is a bottom plan view thereof; FIG. 4 is a perspective view of the cassette removed and in open condition; and FIG. 5 is a cross sectional view taken along line 5—5 of FIG. 2 showing the arrangement of the depressions of the transparent inner lid into each cavity.



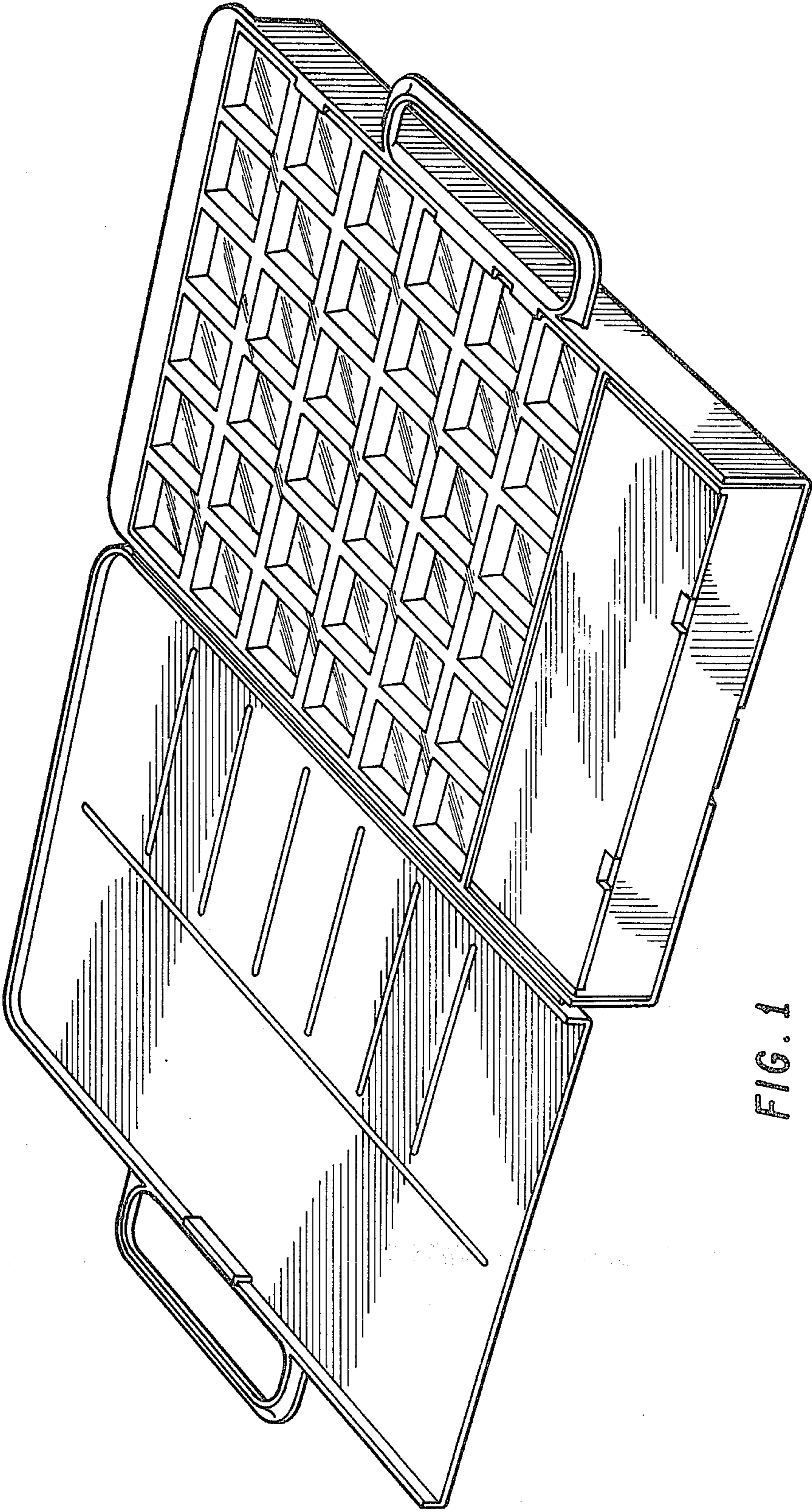


FIG. 1

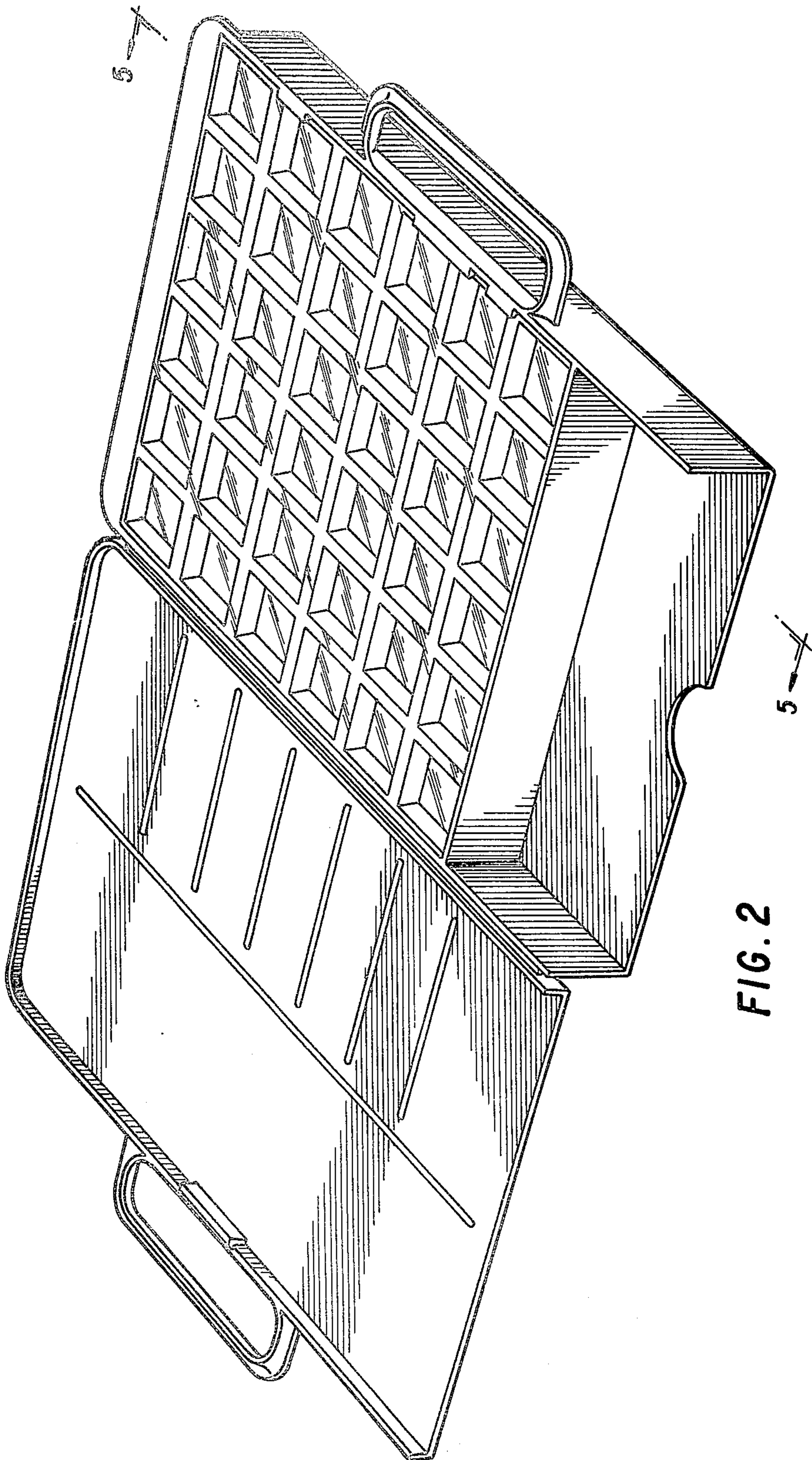


FIG. 2

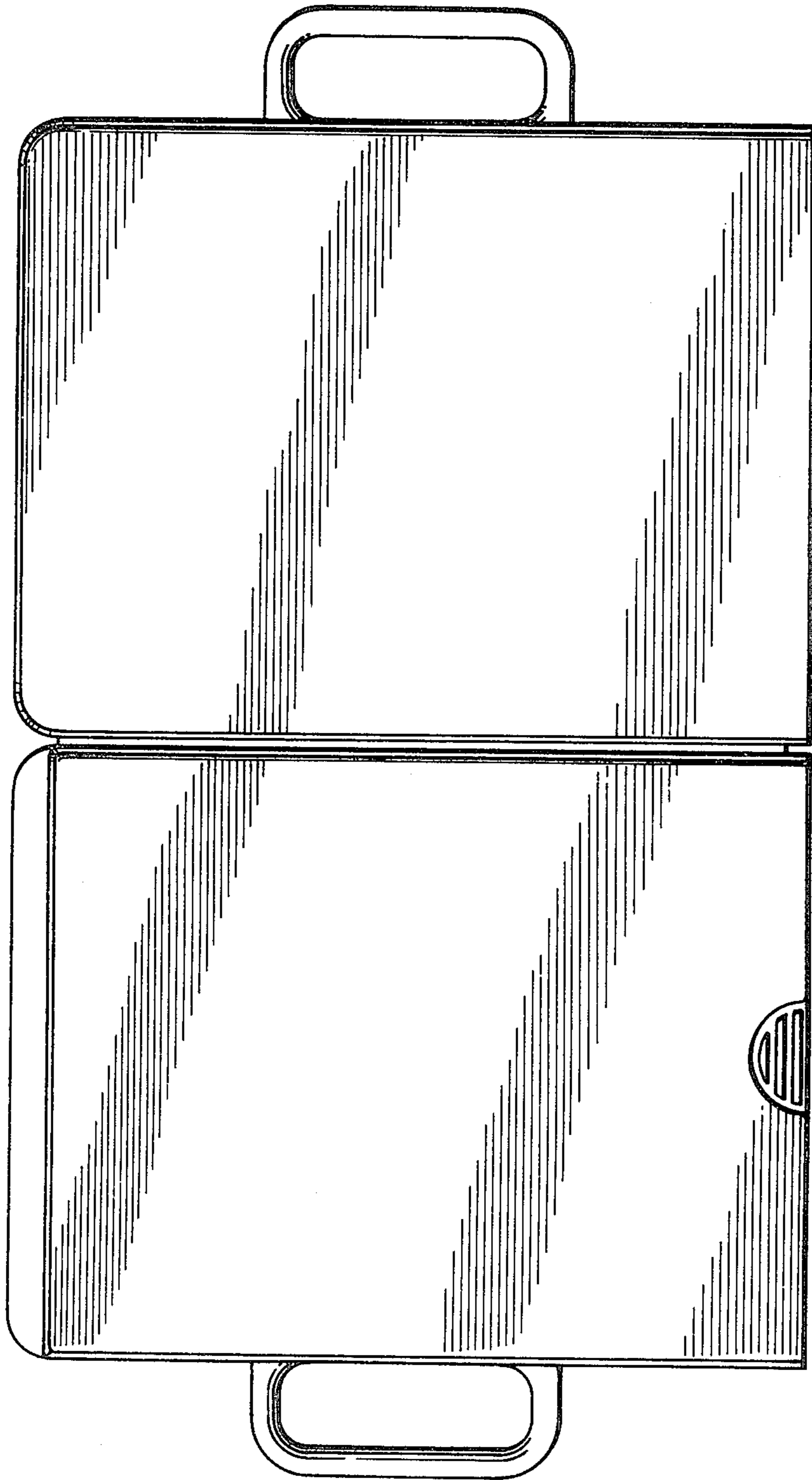


FIG. 3

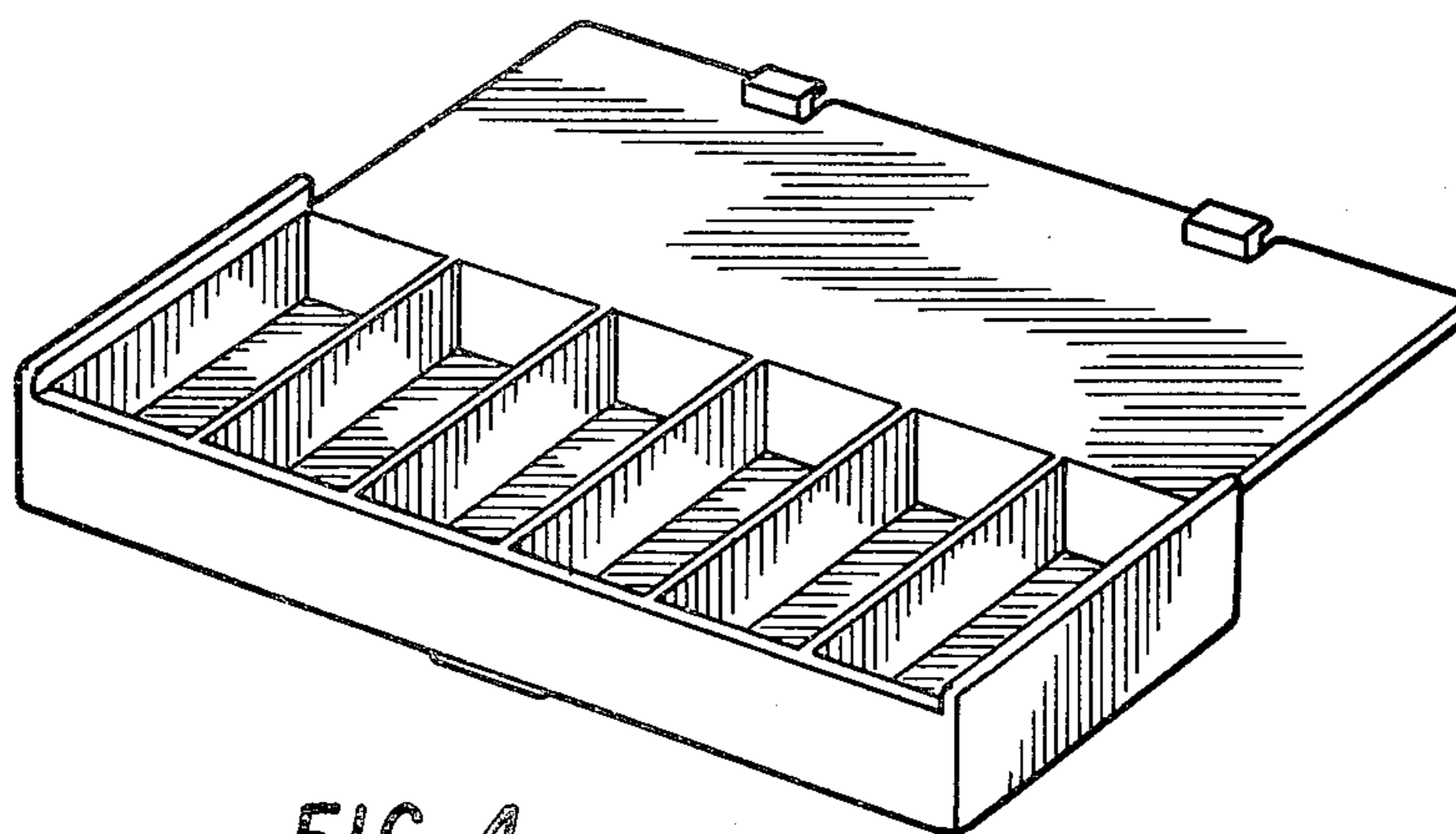


FIG. 4



FIG. 5