

United States Patent [19]

Legerius et al.

[11] Patent Number: **Des. 275,831**

[45] Date of Patent: **** Oct. 9, 1984**

[54] **ELECTRICAL CONDUCTOR WIRE
FEEDING TUBE FOR FIRE WALL LEAD-IN**

[75] Inventors: **Bengt E. Legerius, Nyköping; Hans
W. Siebert, Oxelösund, both of
Sweden**

[73] Assignee: **Telefonaktiebolaget L M Ericsson,
Stockholm, Sweden**

[**] Term: **14 Years**

[21] Appl. No.: **311,235**

[22] Filed: **Oct. 14, 1981**

[30] **Foreign Application Priority Data**

Apr. 24, 1981 [SE] Sweden 81-1031

[52] U.S. Cl. **D8/14; D13/13;
D13/24**

[58] Field of Search **D8/14; D13/13, 24;
174/48; 254/134.3 R**

[56] **References Cited**

U.S. PATENT DOCUMENTS

D. 249,223	9/1978	Holden	D8/14
D. 257,211	10/1980	Löf et al.	D8/14
2,258,745	10/1941	Dewey et al.	254/134.3 R X
2,515,724	7/1950	McCroskey	254/134.3 R
3,005,620	10/1961	Trunnell	254/134.3 R
4,132,665	1/1979	Nelson	254/134.3 R

FOREIGN PATENT DOCUMENTS

1218534	1/1966	Fed. Rep. of Germany	...	254/134.3 R
---------	--------	----------------------	-----	----------------

Primary Examiner—Susan J. Lucas

Attorney, Agent, or Firm—Roberts, Spicencs & Cohen

[57] **CLAIM**

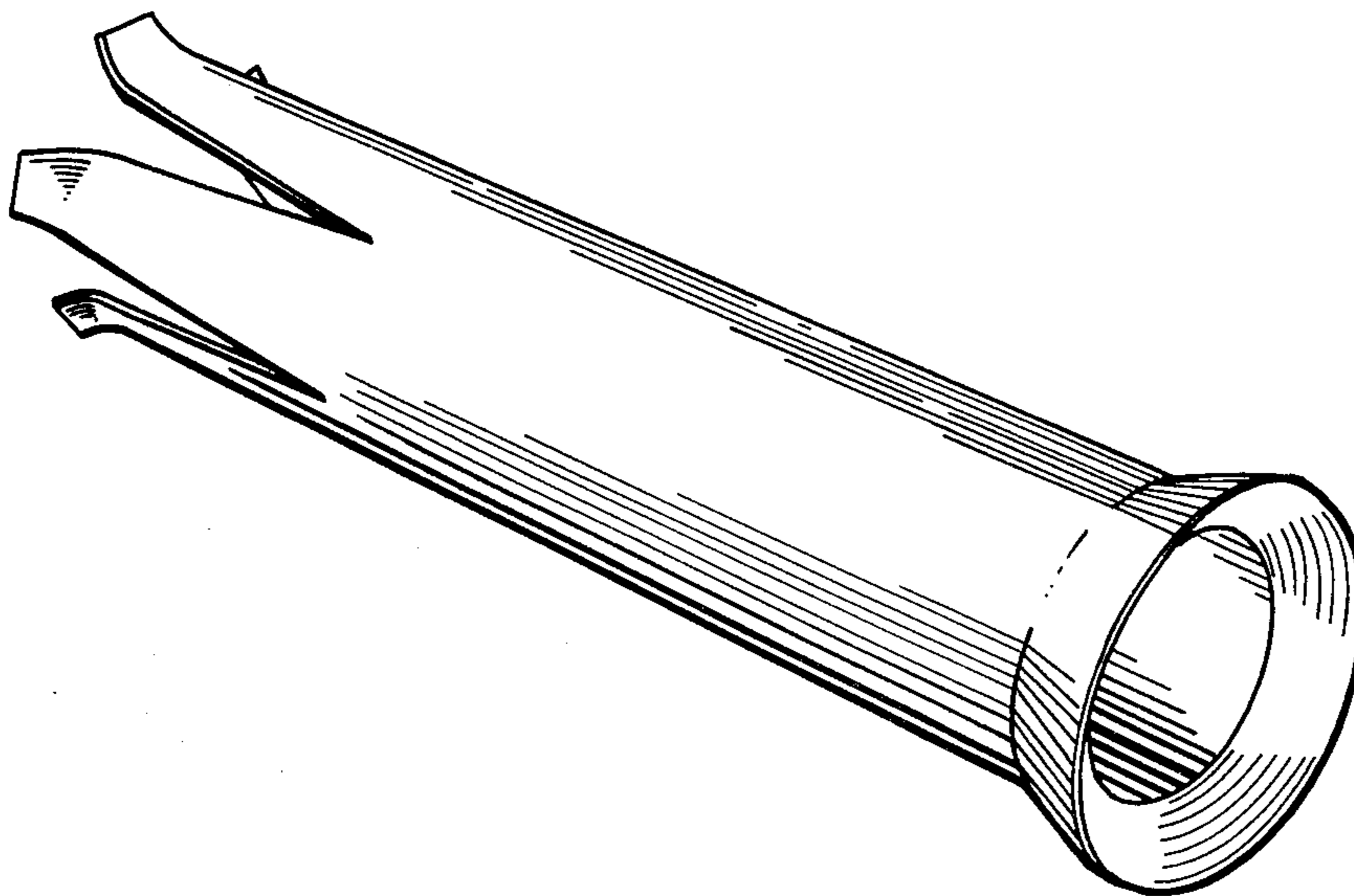
The ornamental design for a electrical conductor wire feeding tube for fire wall lead-in, as shown.

DESCRIPTION

FIG. 1 is a perspective view of an electrical conductor wire feeding tube for fire wall lead-in showing our new design;

FIG. 2 is a perspective view from the opposite side thereof;

FIG. 3 is a side elevational view thereof.



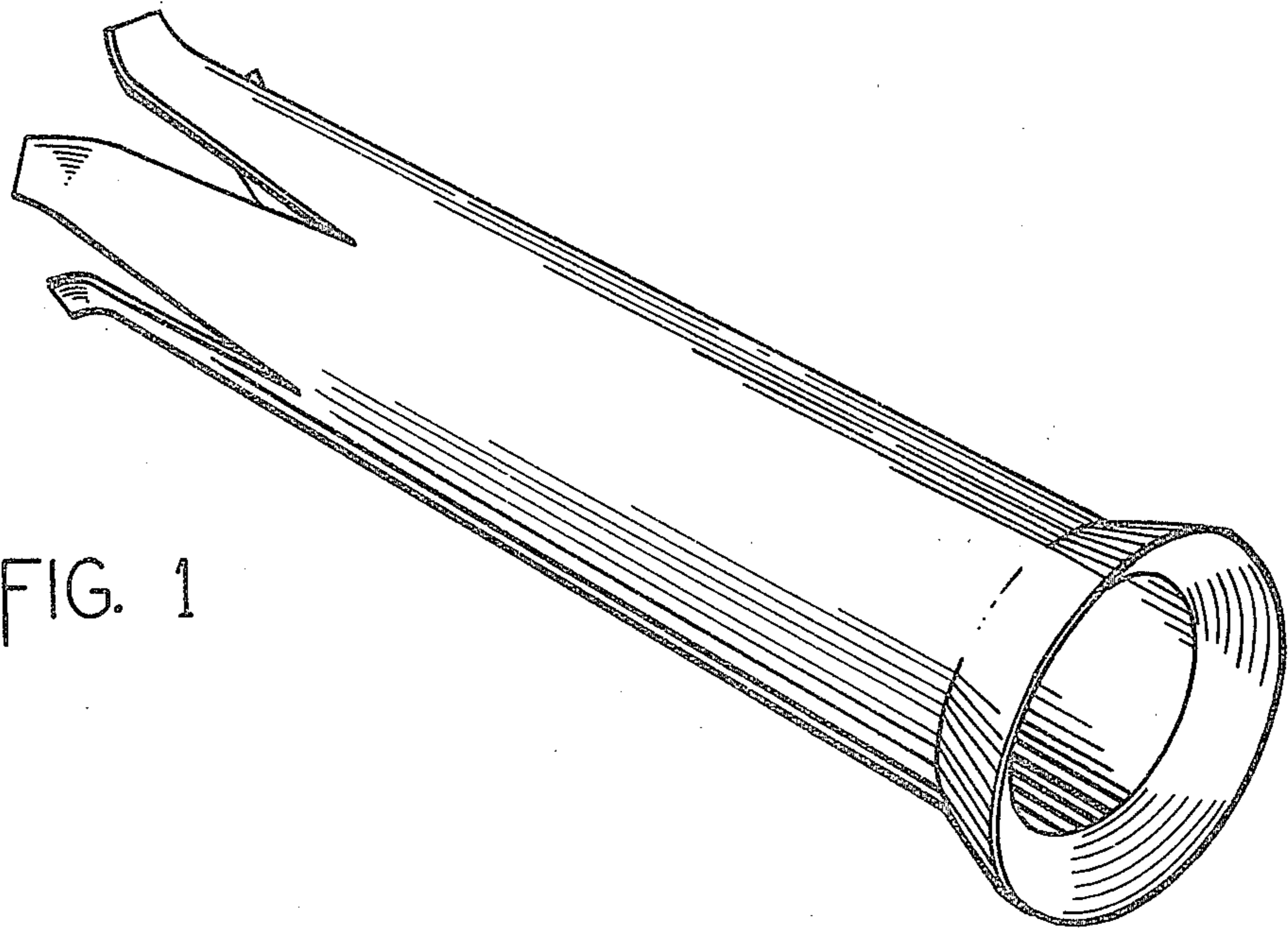


FIG. 1

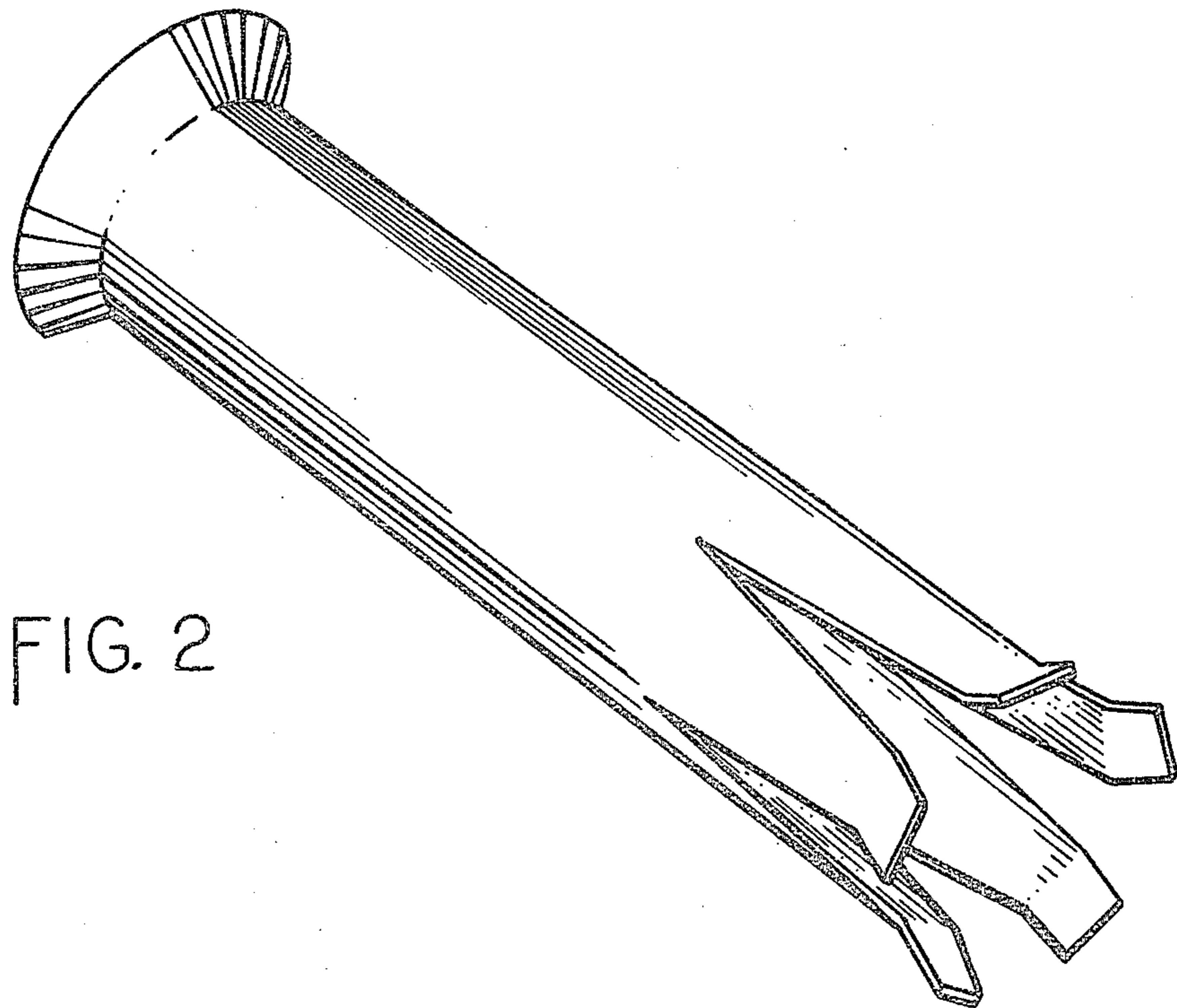


FIG. 2

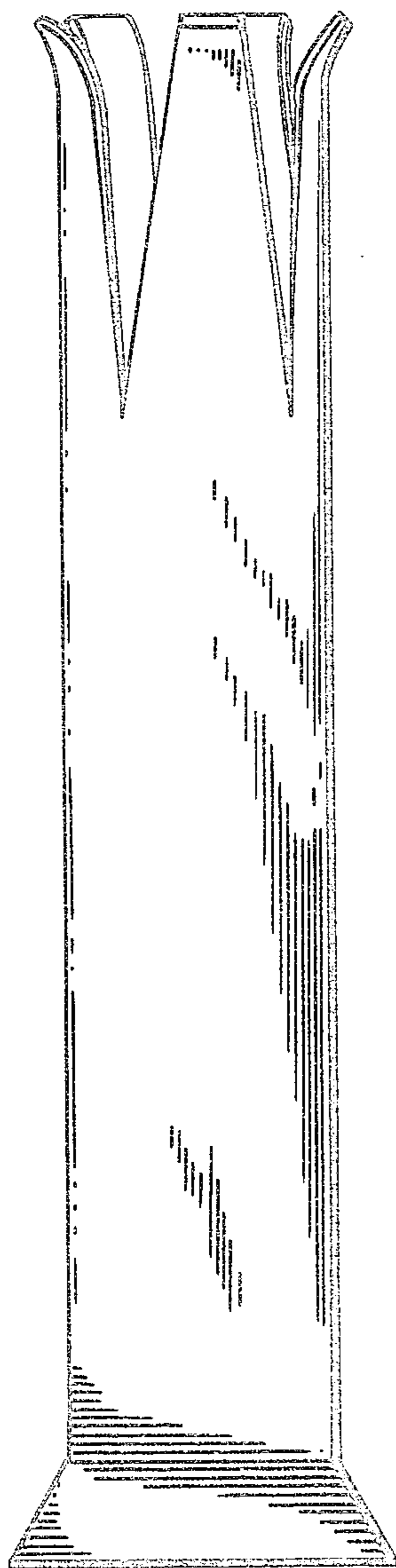


FIG. 3