

[54] **CARRYING CASE FOR ELECTRICAL MEASURING INSTRUMENTS OR THE LIKE**

[75] **Inventors: Kenneth Gatland, Walmer; David C. Tedd, Folkestone; Hugh R. Marsh, Canterbury; Stephen J. Masters, Dover, all of England**

[73] **Assignee: Thorn Emi Instruments Limited, Dover, England**

[**] **Term: 14 Years**

[21] **Appl. No.: 382,697**

[22] **Filed: May 27, 1982**

[30] **Foreign Application Priority Data**

Jan. 30, 1982 [GB] United Kingdom 821004896
[52] **U.S. Cl. D3/73; D3/30.1**
[58] **Field of Search D3/30.1, 35, 73, 76, D3/77; 206/387, 328, 332-334**

[56] **References Cited**

U.S. PATENT DOCUMENTS

- D. 222,012 9/1971 Harris D3/73
- D. 235,582 6/1975 Becic D3/73
- D. 261,671 11/1981 Livesay D3/73
- D. 270,209 8/1983 Garth D3/73

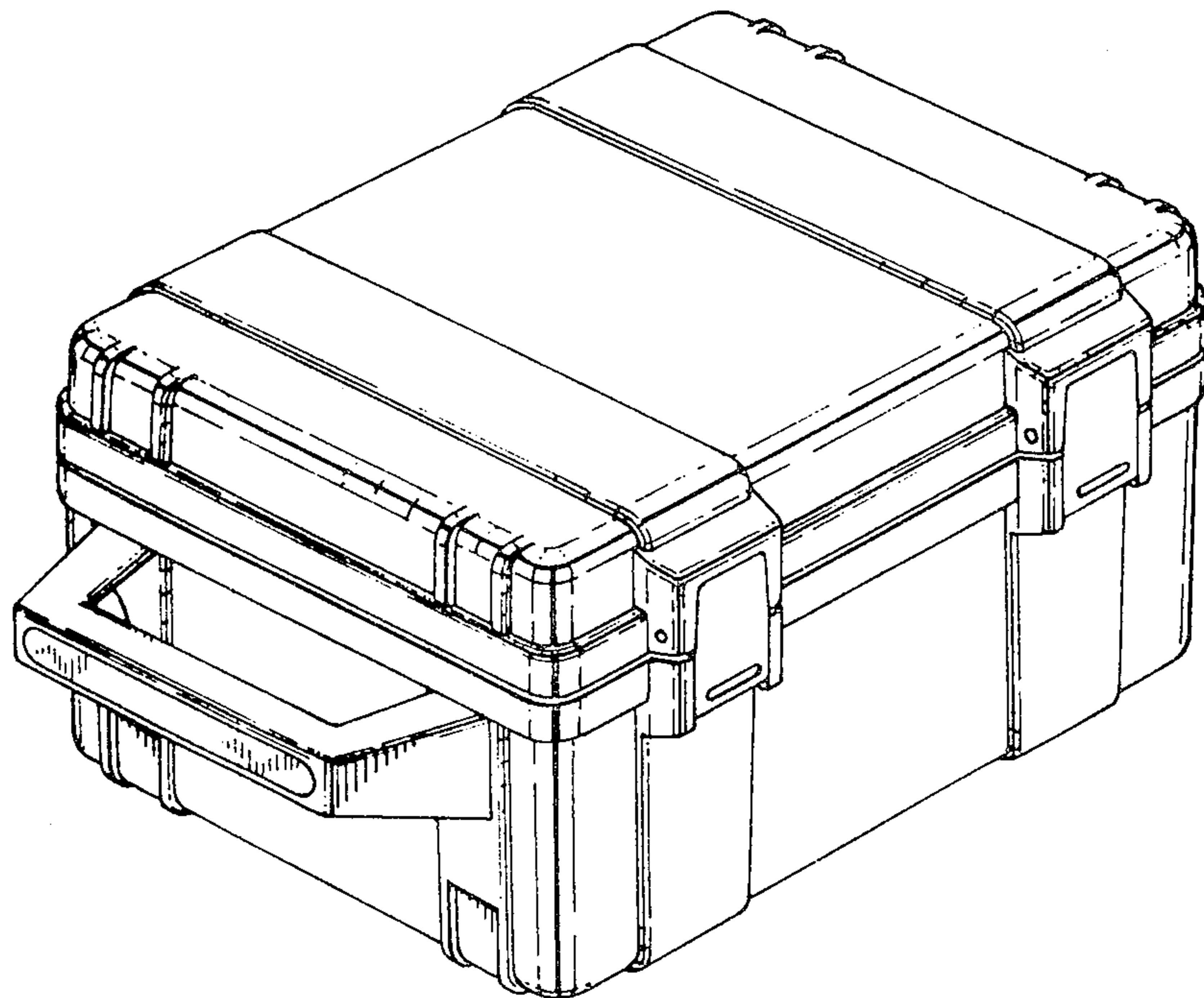
Primary Examiner—George P. Word
Attorney, Agent, or Firm—Fleit, Jacobson, Cohn & Price

[57] **CLAIM**

The ornamental design for carrying case for electrical measuring instruments or the like, substantially as shown.

DESCRIPTION

FIG. 1 is a left front perspective view of a carrying case for electrical measuring instruments or the like showing our new design; FIG. 2 is a rear elevational view thereof; and FIG. 3 is a right side elevational view thereof.



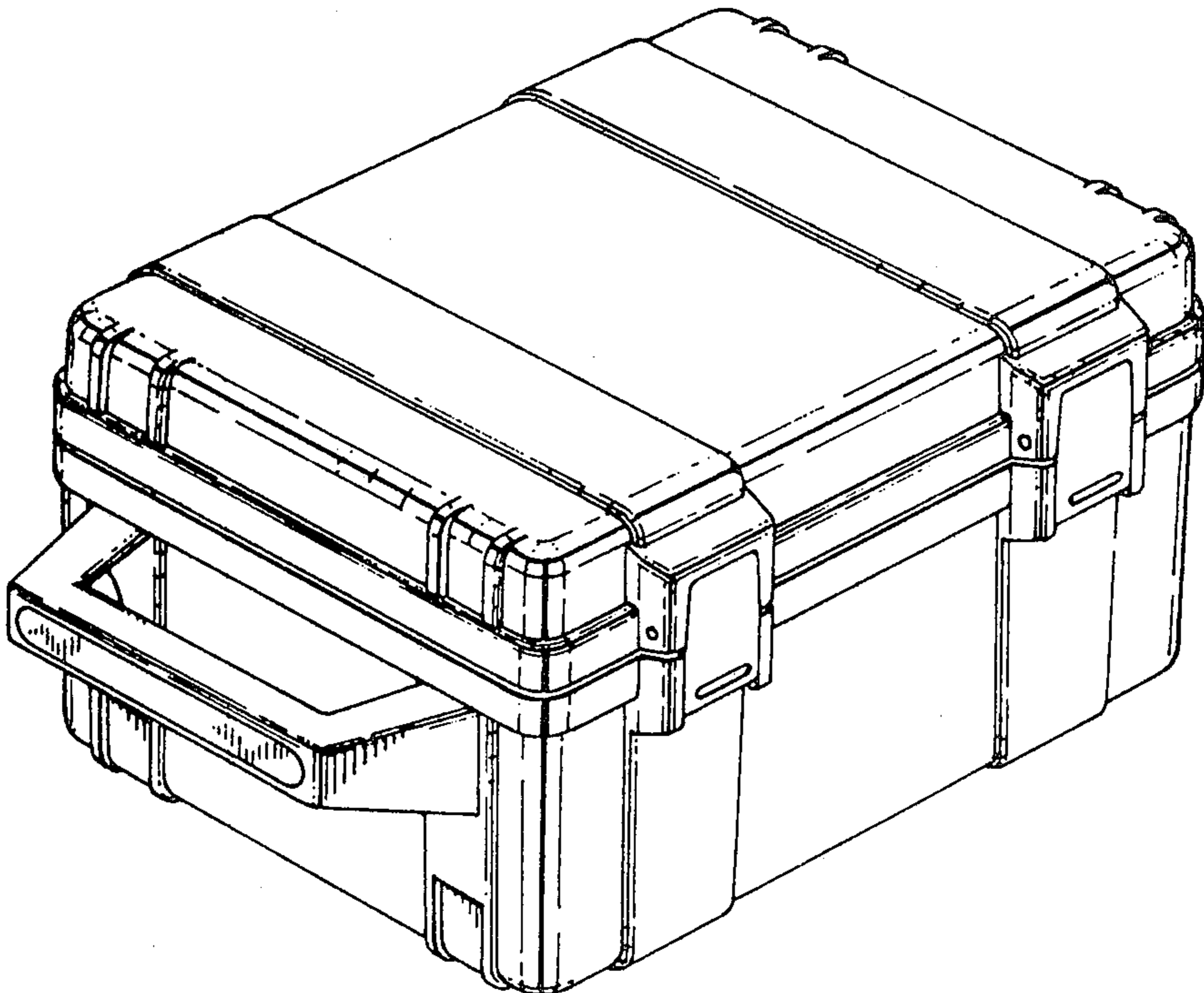


FIG. 1

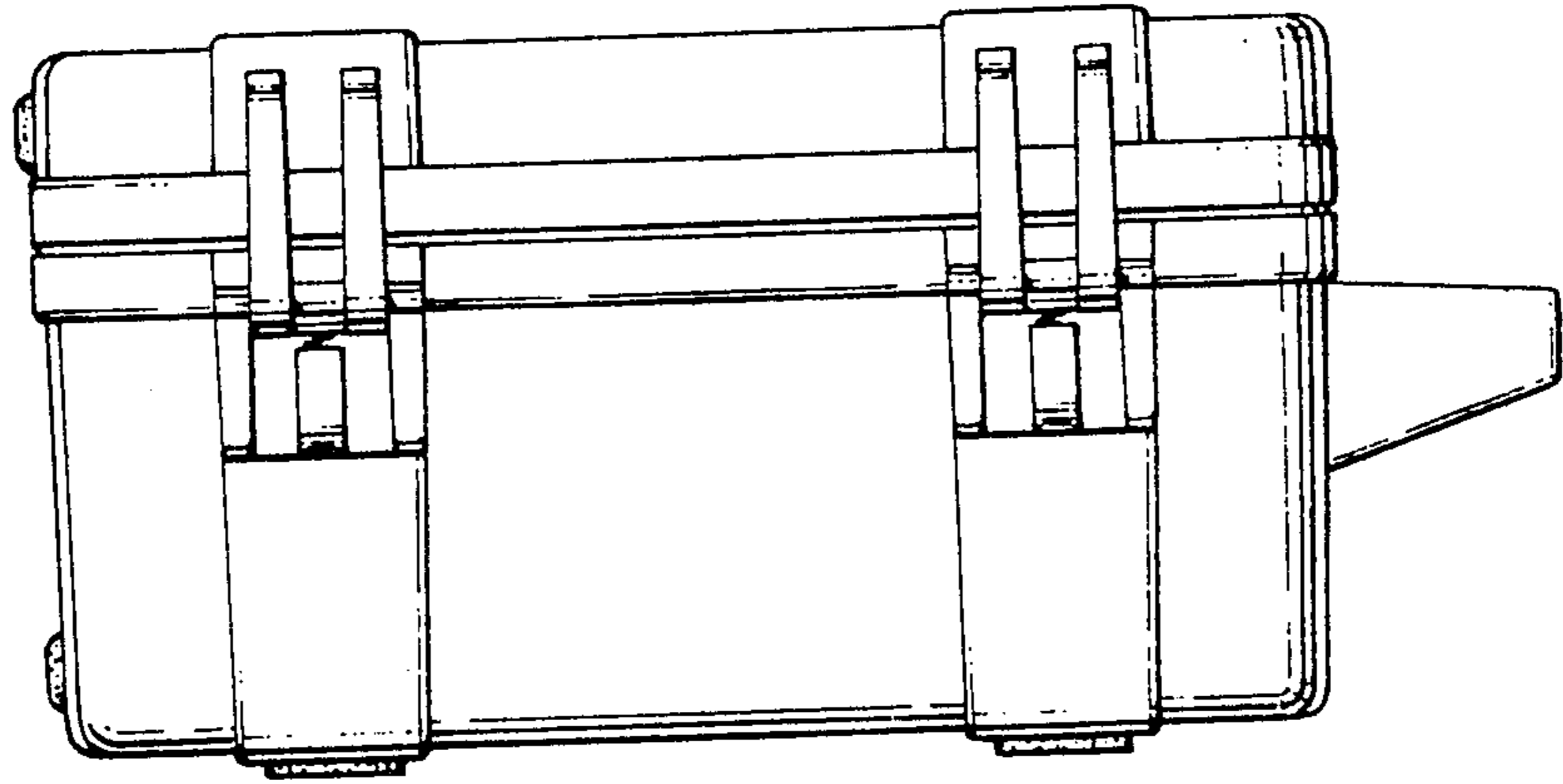


FIG. 2

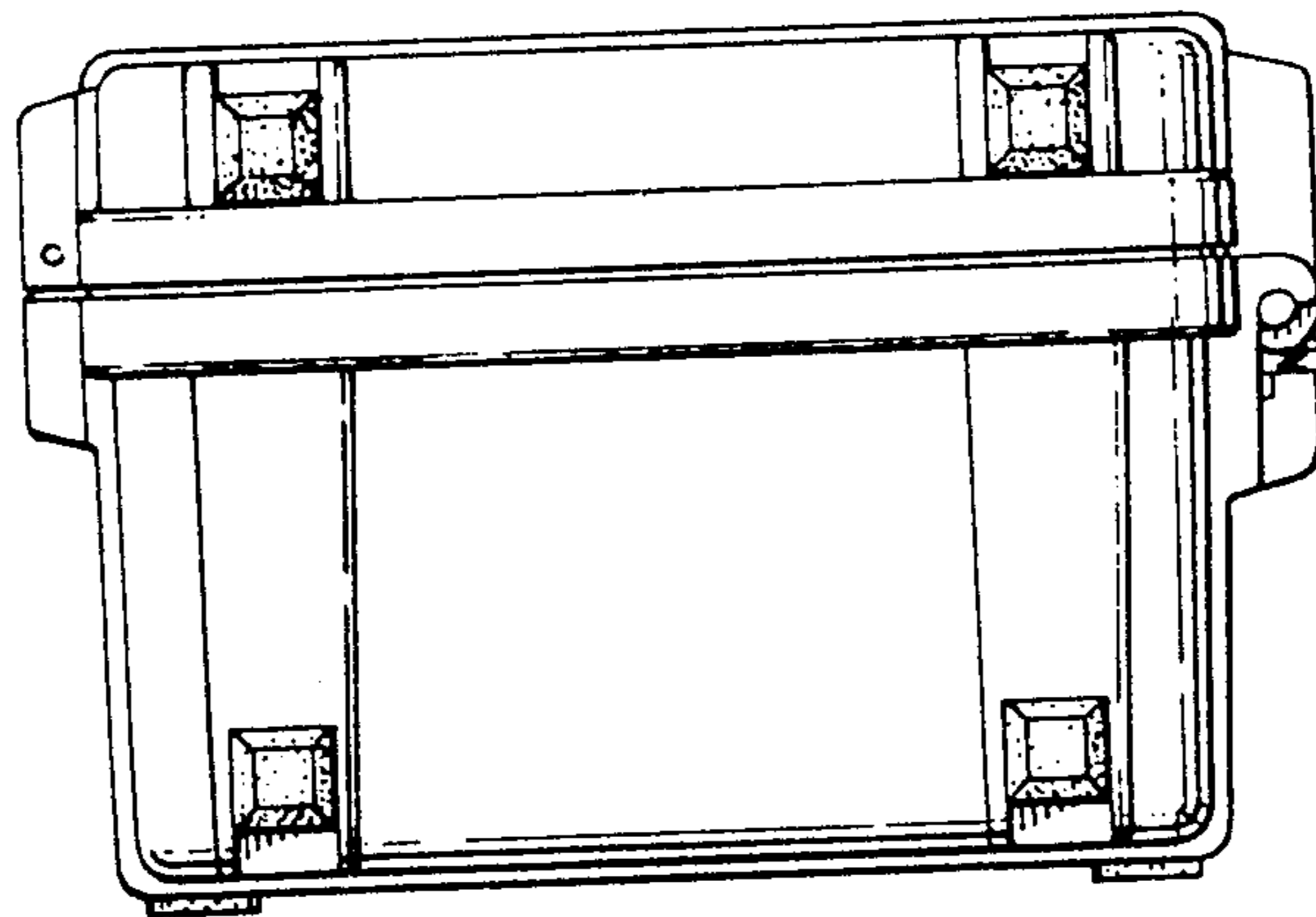


FIG. 3