

[54] **FOLDABLE BOOTJACK**

[76] **Inventor: Henry T. Windsor, Rte. 1, Box 121, Sheridan, Wyo. 82801**

[**] **Term: 14 Years**

[21] **Appl. No.: 433,847**

[22] **Filed: Sep. 29, 1982**

[52] **U.S. Cl. D2/378.2; 223/115**

[58] **Field of Search D2/378.2; 223/114, 115, 223/117, 116**

[56] **References Cited**

U.S. PATENT DOCUMENTS

D. 102,043 11/1936 Westbrook D2/378.2
1,849,282 3/1932 Churchill 223/115
1,893,280 1/1933 Gerfen 223/115

FOREIGN PATENT DOCUMENTS

77508 8/1919 Austria 223/115
865040 5/1941 France 223/115

Primary Examiner—Bernard Ansher
Assistant Examiner—T. M. Shooman
Attorney, Agent, or Firm—Kokjer, Kircher, Wharton,
Bowman & Johnson

[57] **CLAIM**

The ornamental design for a foldable bootjack, as shown and described.

DESCRIPTION

FIG. 1 is a perspective view of a foldable bootjack showing my new design;
FIG. 2 is a side elevational view of same;
FIG. 3 is a top plan view of same;
FIG. 4 is a bottom plan view of same;
FIG. 5 is a front elevational view of same; and
FIG. 6 is a rear elevational view of same.

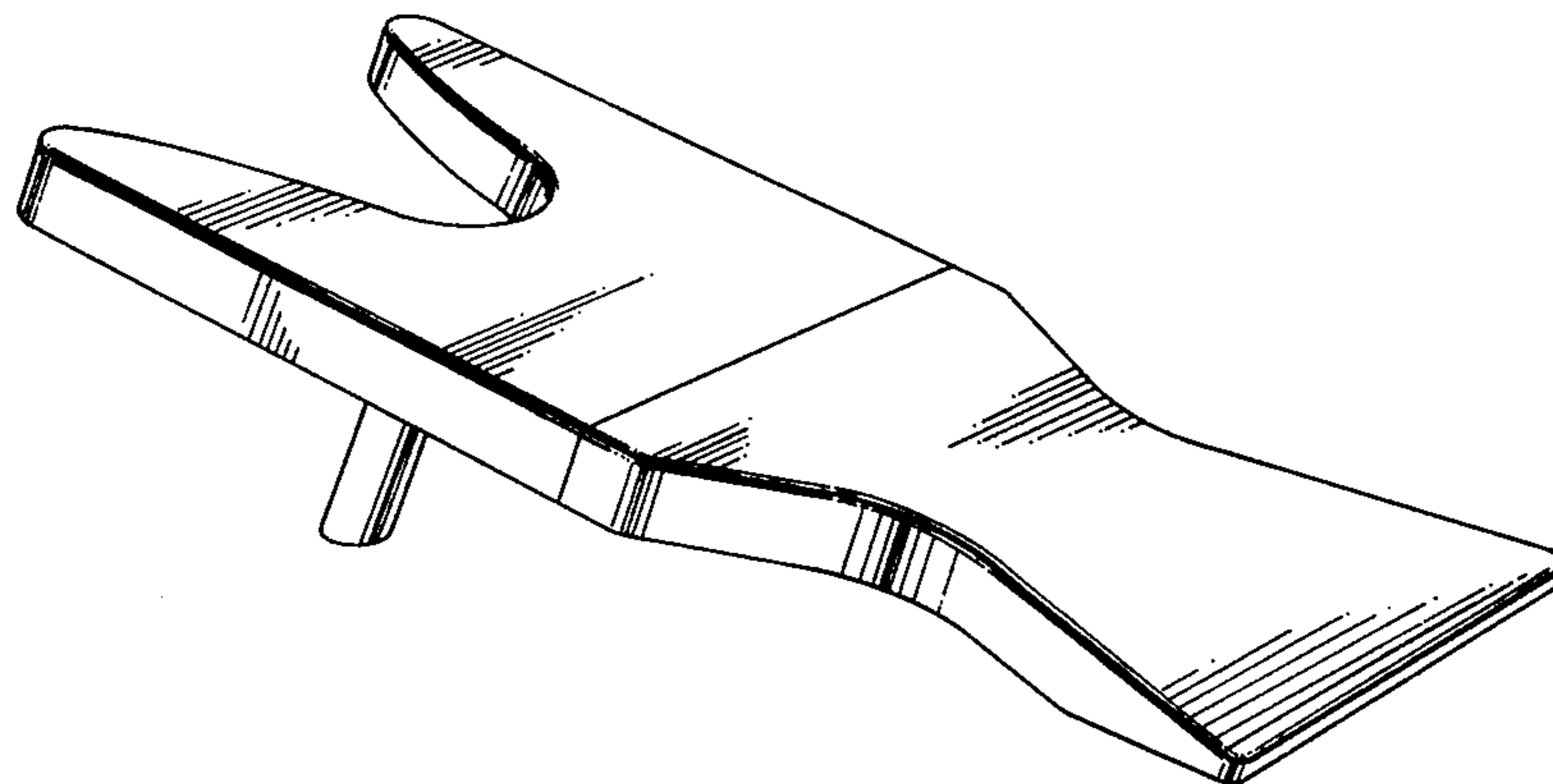


Fig. 1.

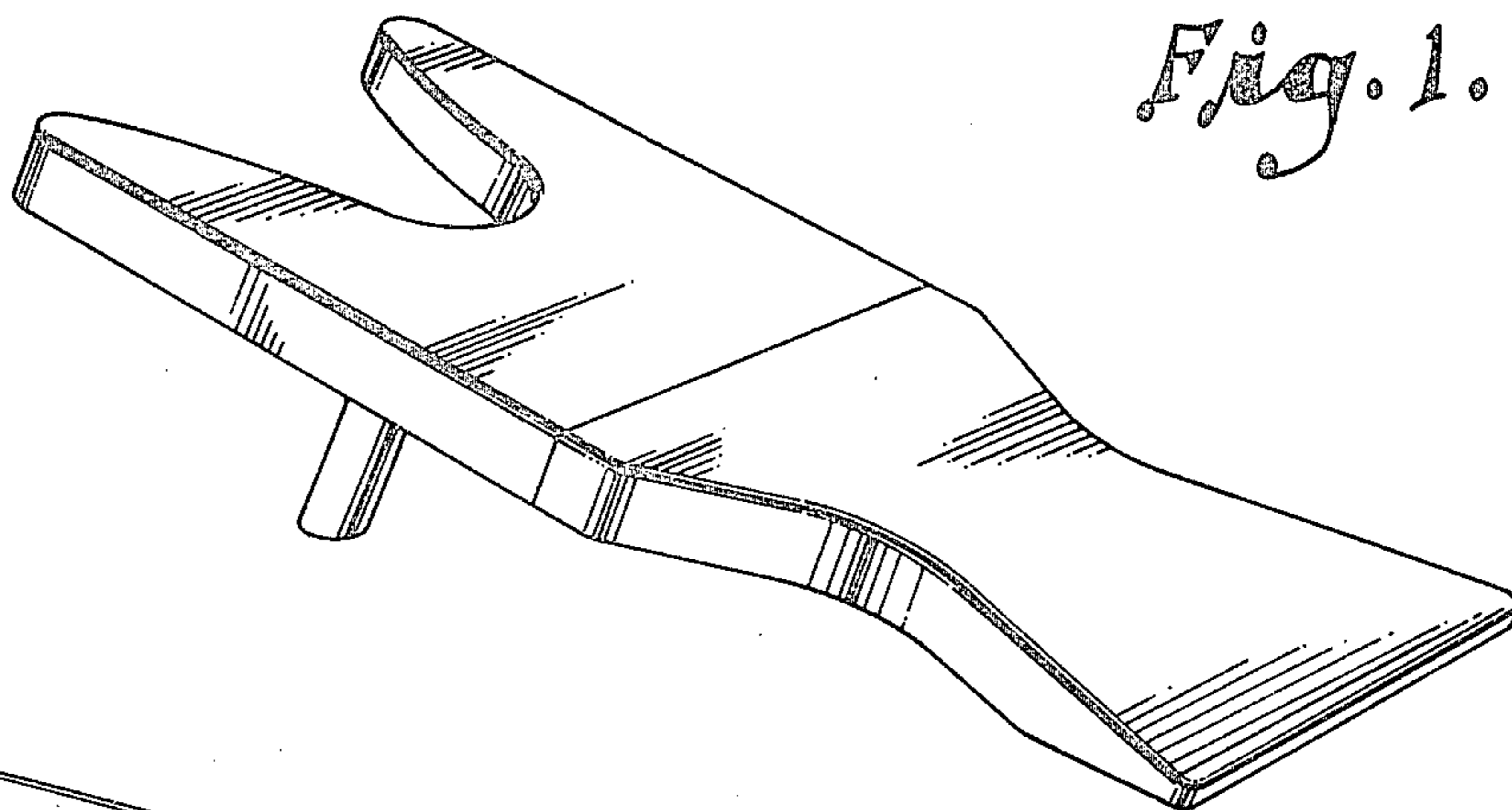


Fig. 2.

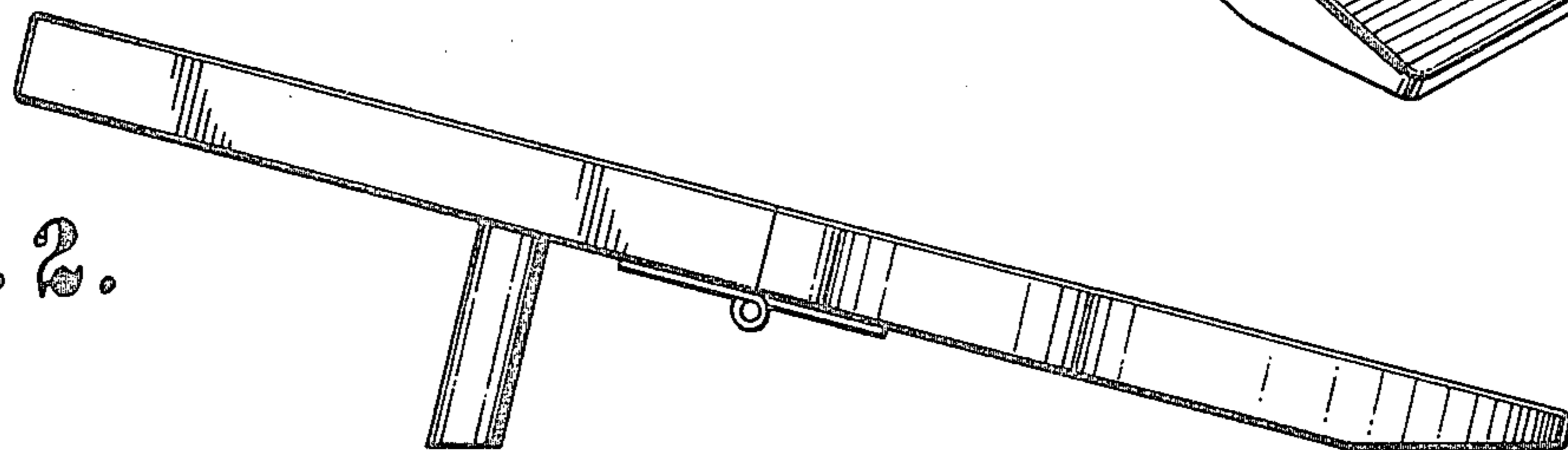


Fig. 3.

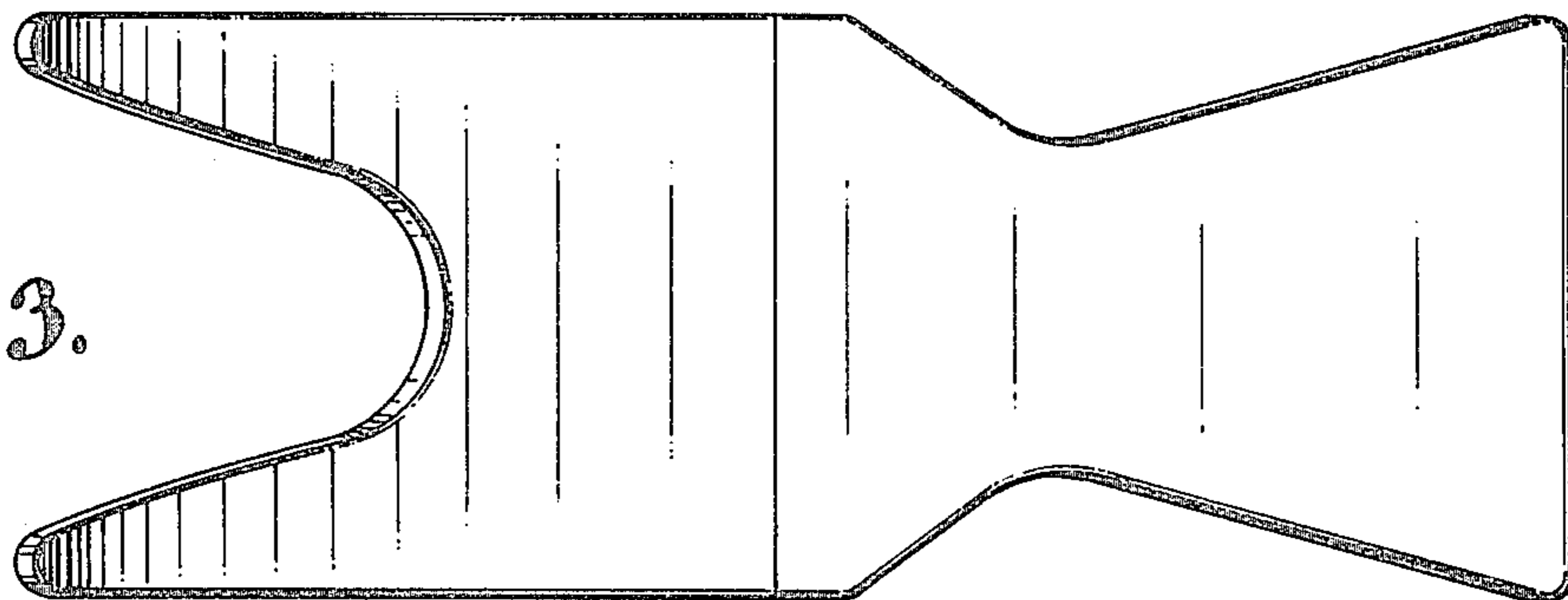


Fig. 4.

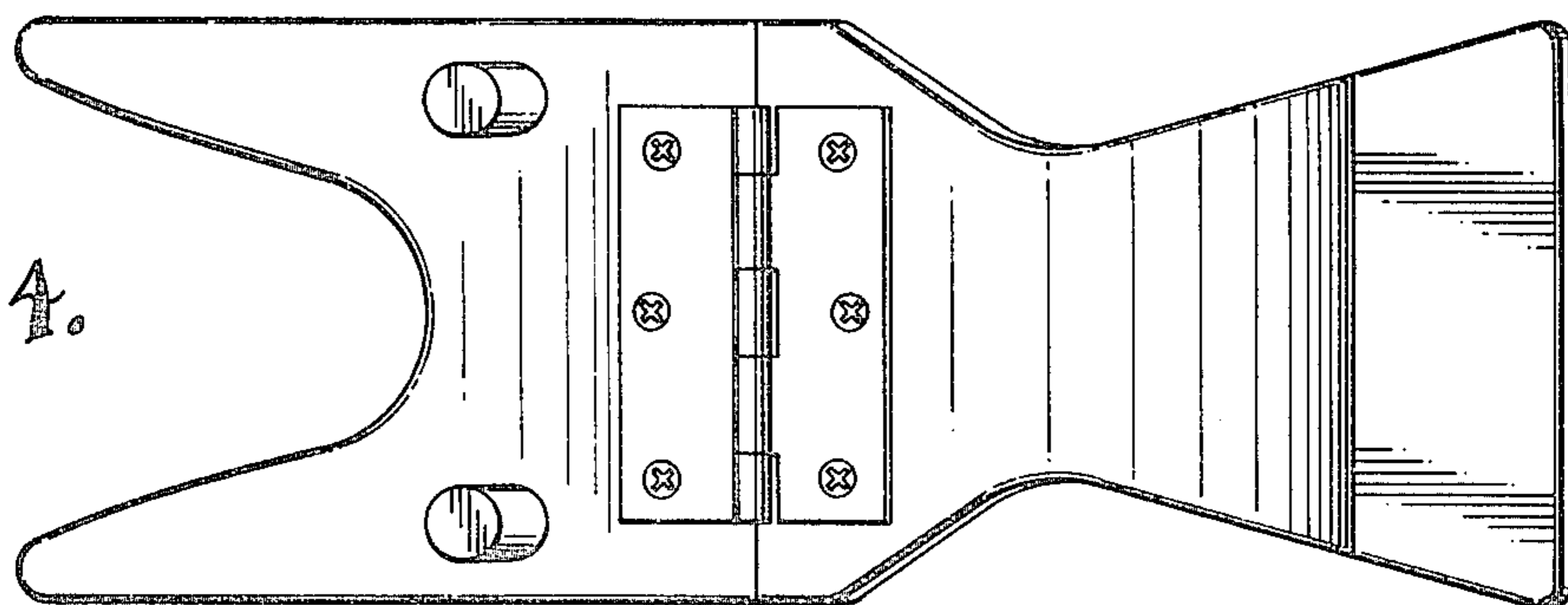


Fig. 5.

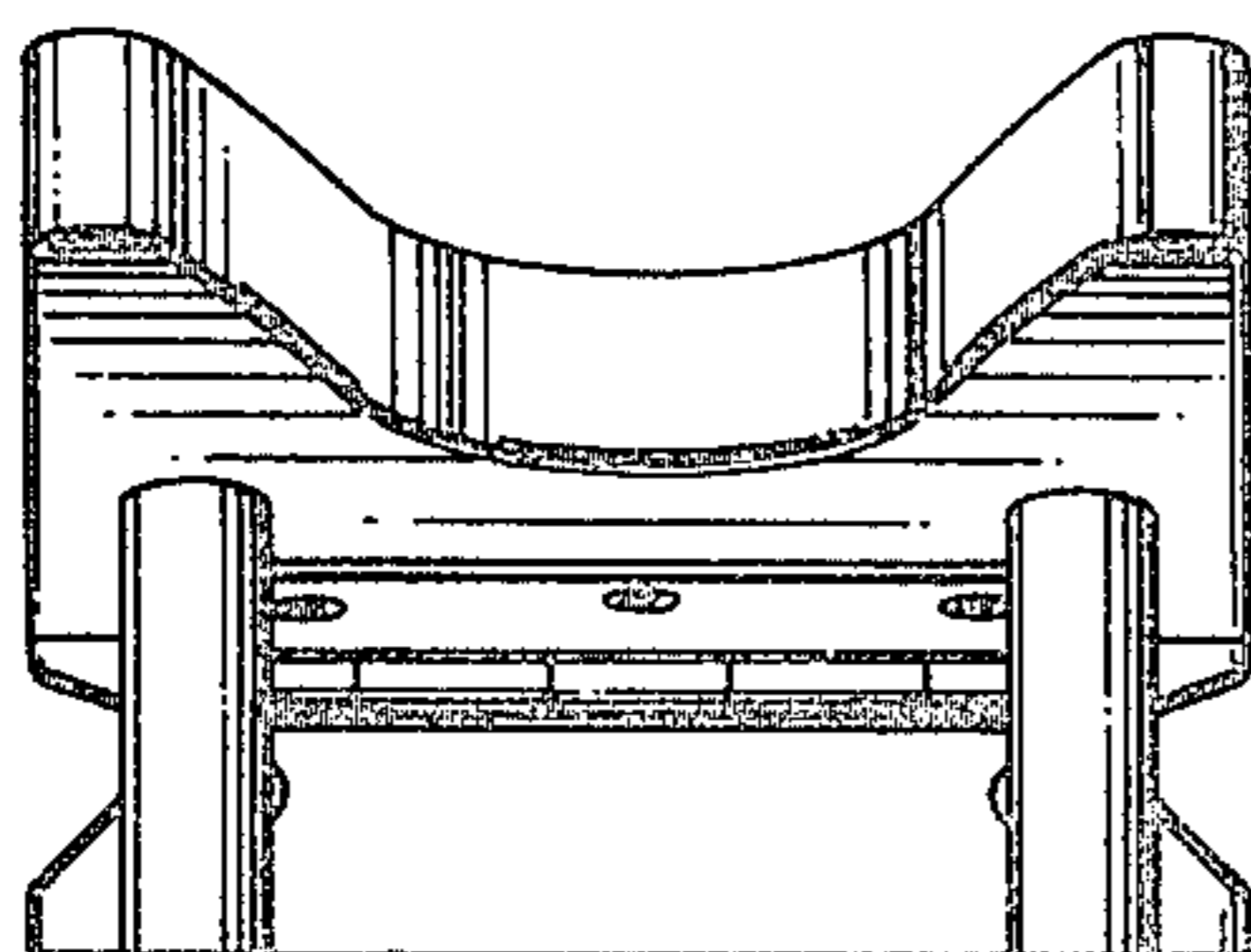


Fig. 6.

