

[54] IRONING PRESS

[75] Inventors: **Olindo Baruffa; Antonio Jimenez,**
both of Geneva, Switzerland
[73] Assignee: **Mefina S.A.,** Fribourg, Switzerland
[**] Term: **14 Years**
[21] Appl. No.: **382,810**
[22] Filed: **May 27, 1982**

[30] Foreign Application Priority Data

Dec. 2, 1981 [CH] Switzerland 112 103
[52] U.S. Cl. D32/9
[58] Field of Search D32/9; 38/1 R, 12, 69;
223/51, 57, 73

[56] References Cited

U.S. PATENT DOCUMENTS

D. 199,079 9/1964 Boldt D32/9
D. 225,451 12/1972 Jimenez D32/9
D. 262,885 2/1982 Baruffa D32/9

Primary Examiner—Catherine E. Kemper
Attorney, Agent, or Firm—Emory L. Groff, Jr.

[57] CLAIM

The ornamental design for ironing press, as shown.

DESCRIPTION

FIG. 1 is a front elevational view of an ironing press, showing our new design;
FIG. 2 is a left side elevational view thereof;
FIG. 3 is a right side elevational view thereof;
FIG. 4 is a top plan view thereof;
FIG. 5 is a rear elevational view thereof;
FIG. 6 is a bottom plan view thereof;
FIG. 7 is a left front perspective view thereof;
FIG. 8 is a left rear perspective view thereof;
FIG. 9 is a right front perspective view thereof;
FIG. 10 is a right rear perspective view thereof;
FIG. 11 is a front elevational view of the ironing press as it appears when opened;
FIG. 12 is a left side elevational view of the opened ironing press;
FIG. 13 is a right side elevational view of the opened ironing press;
FIG. 14 is a top plan view of the opened ironing press;
FIG. 15 is a rear elevational view of the opened ironing press;
FIG. 16 is a left front perspective view of the opened ironing press;
FIG. 17 is a right front perspective view of the opened ironing press;
FIG. 18 is a right rear perspective view of the opened ironing press;
FIG. 19 is a left rear perspective view of the opened ironing press.

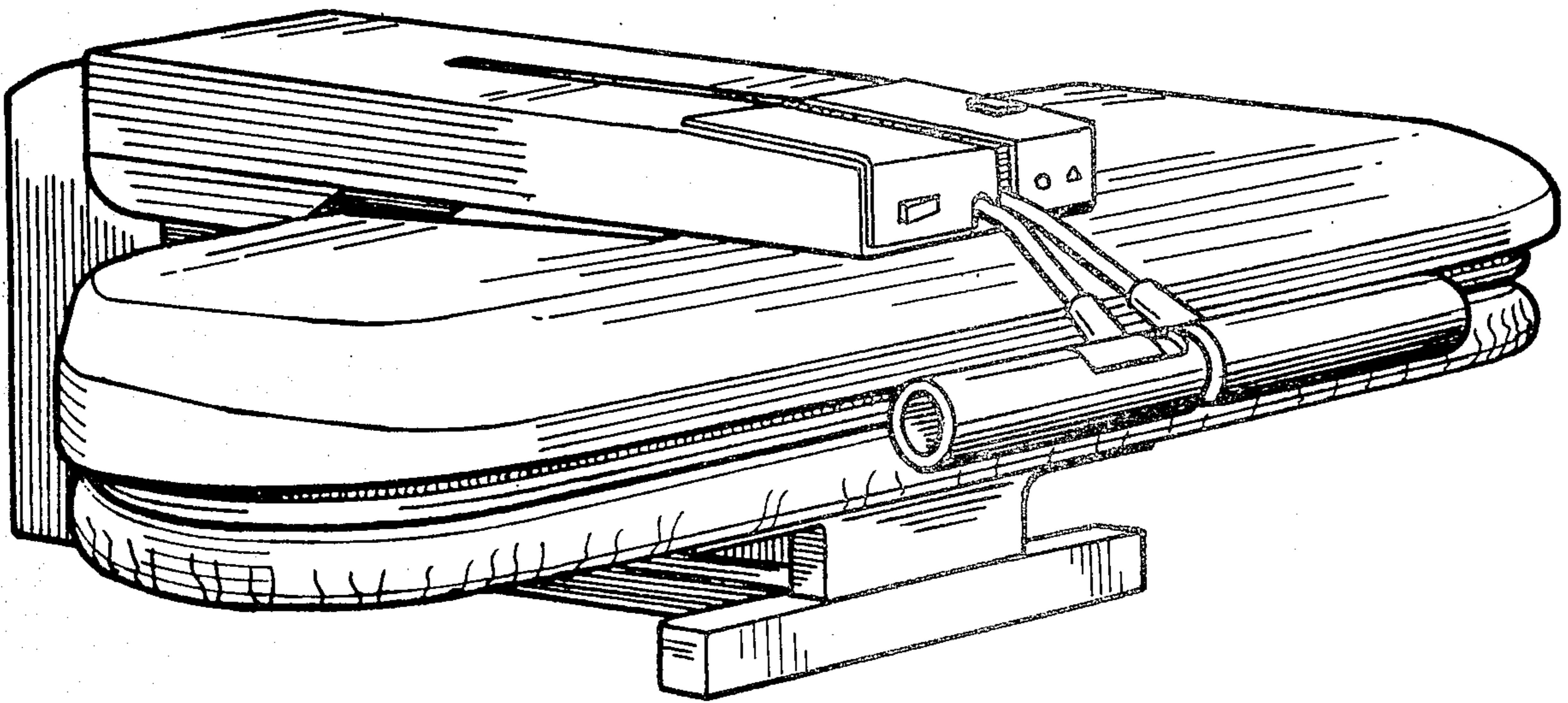


FIG. 1

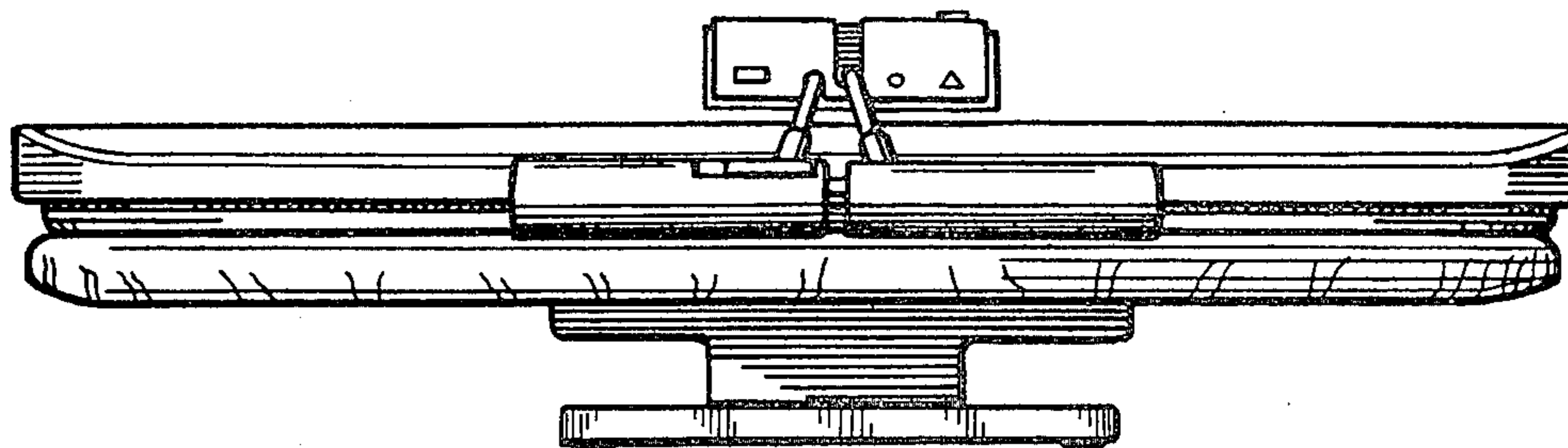


FIG. 2

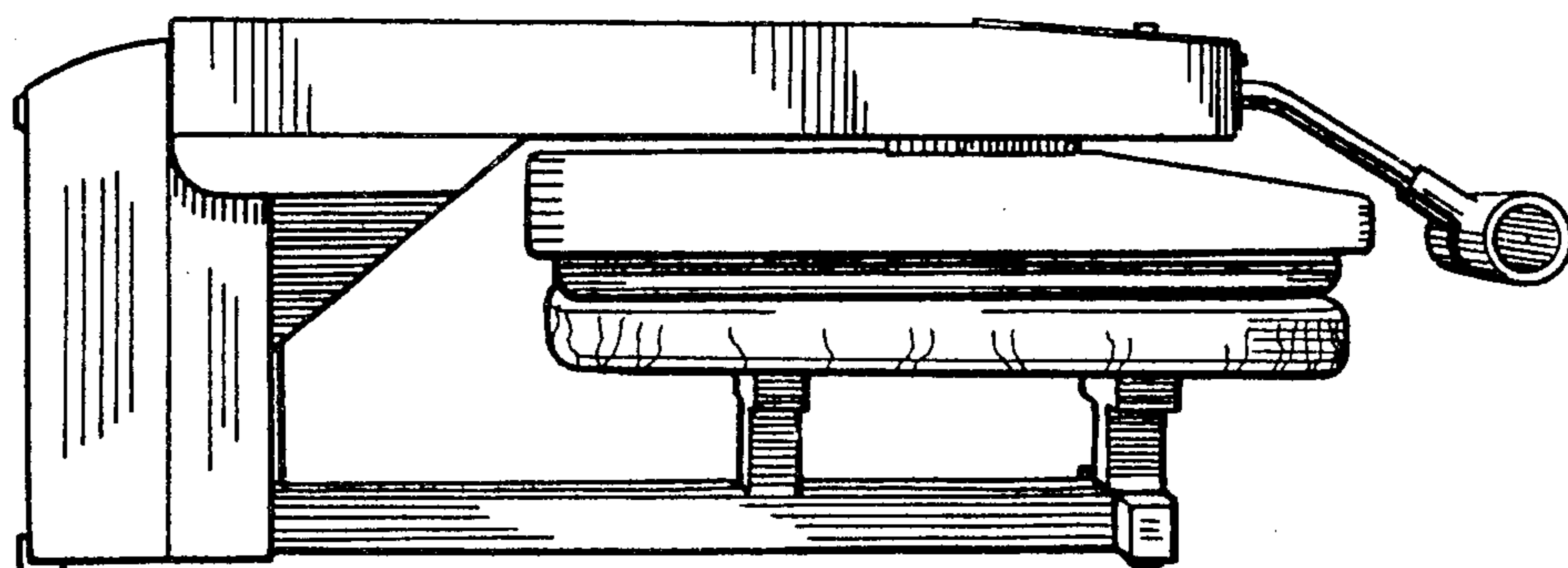


FIG. 3

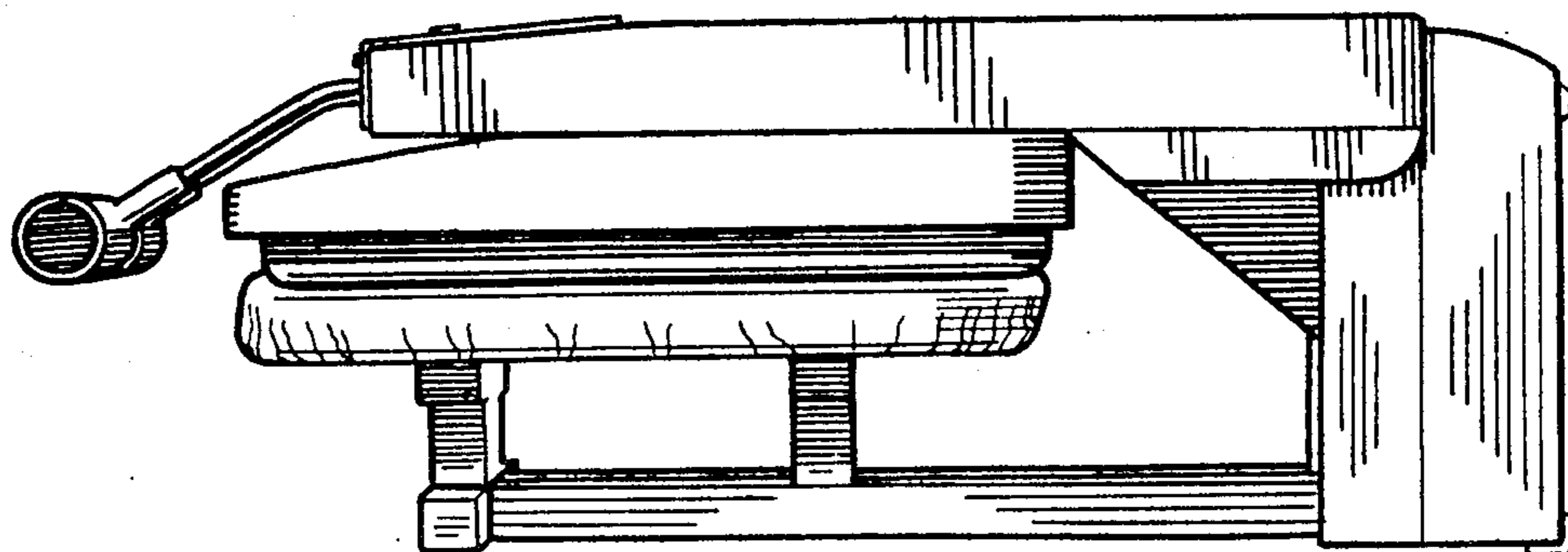


FIG. 4

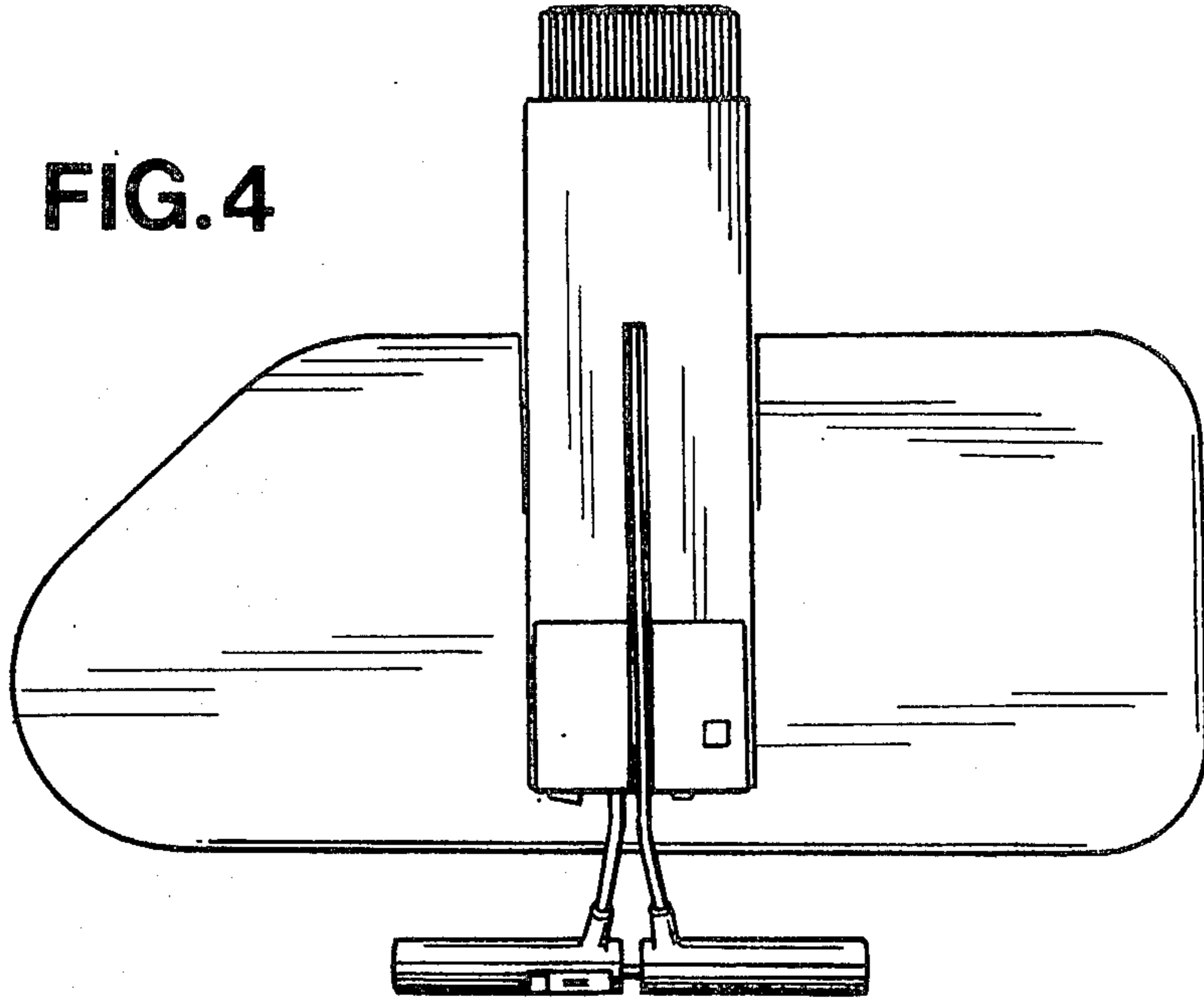


FIG. 5

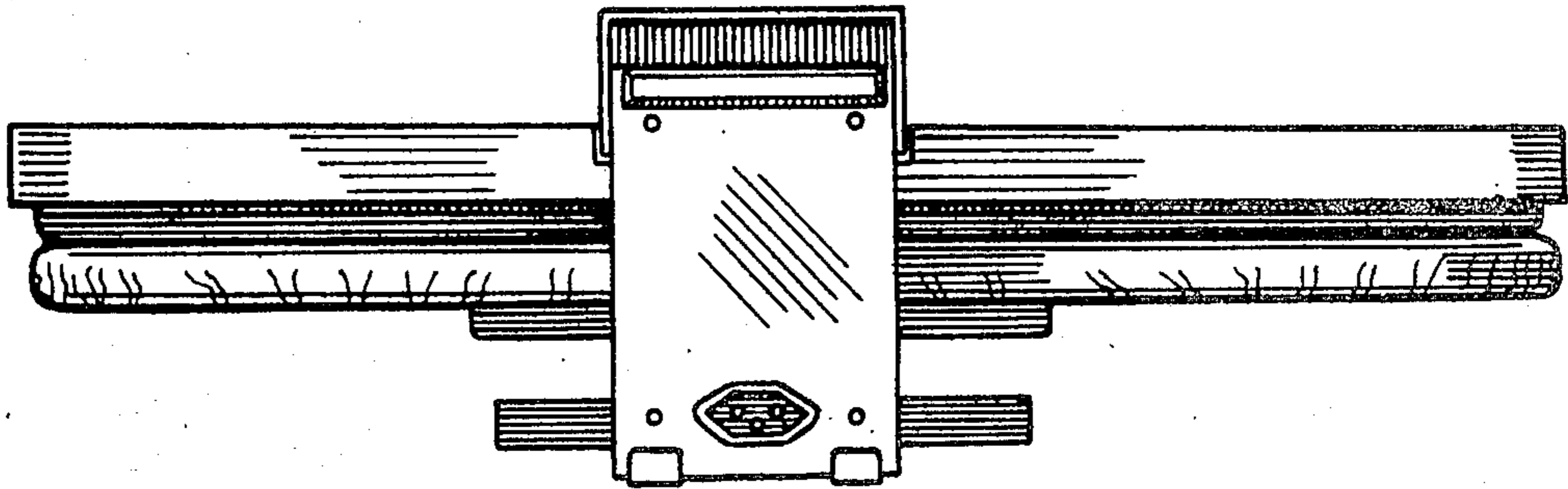


FIG. 6

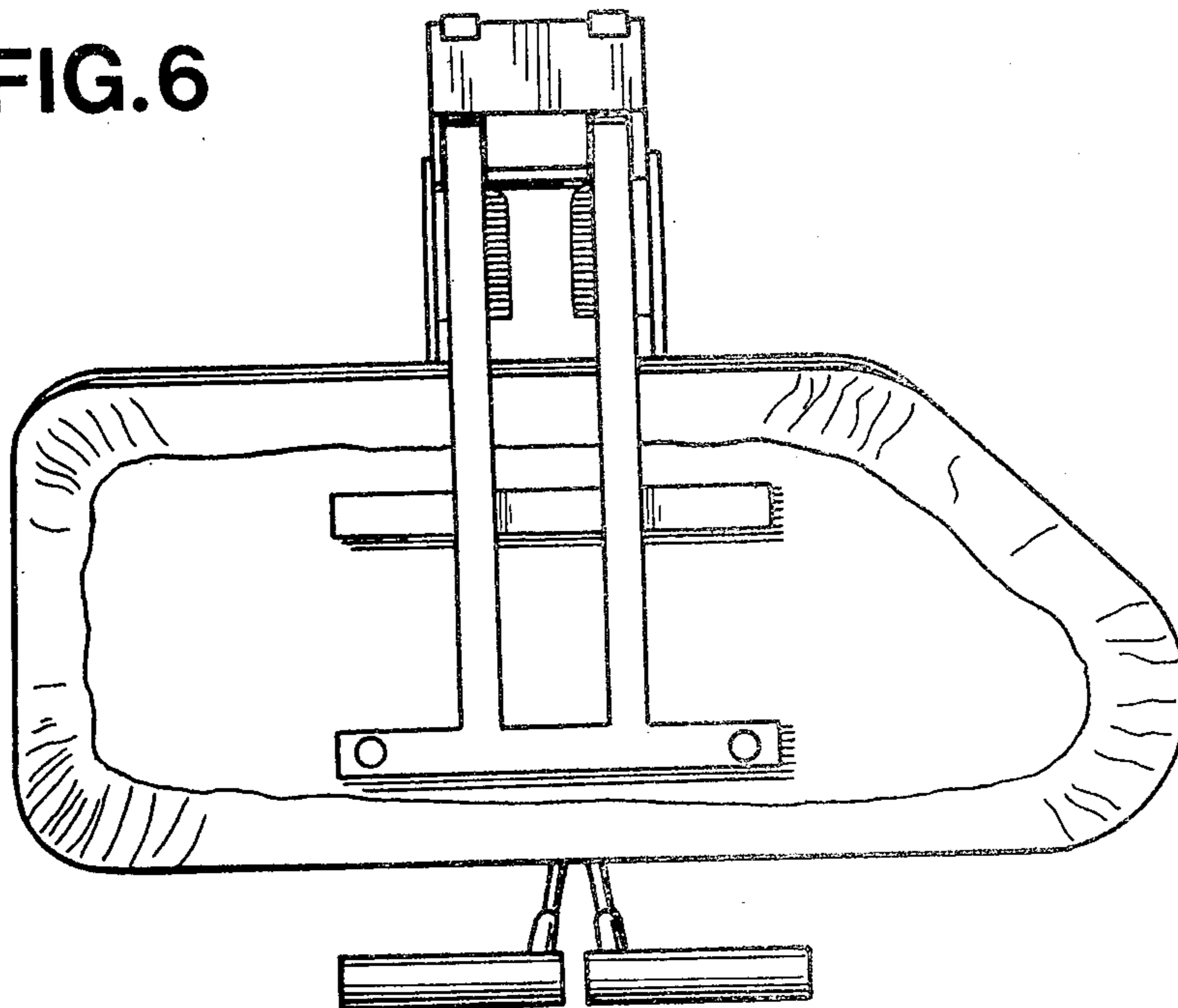


FIG. 7

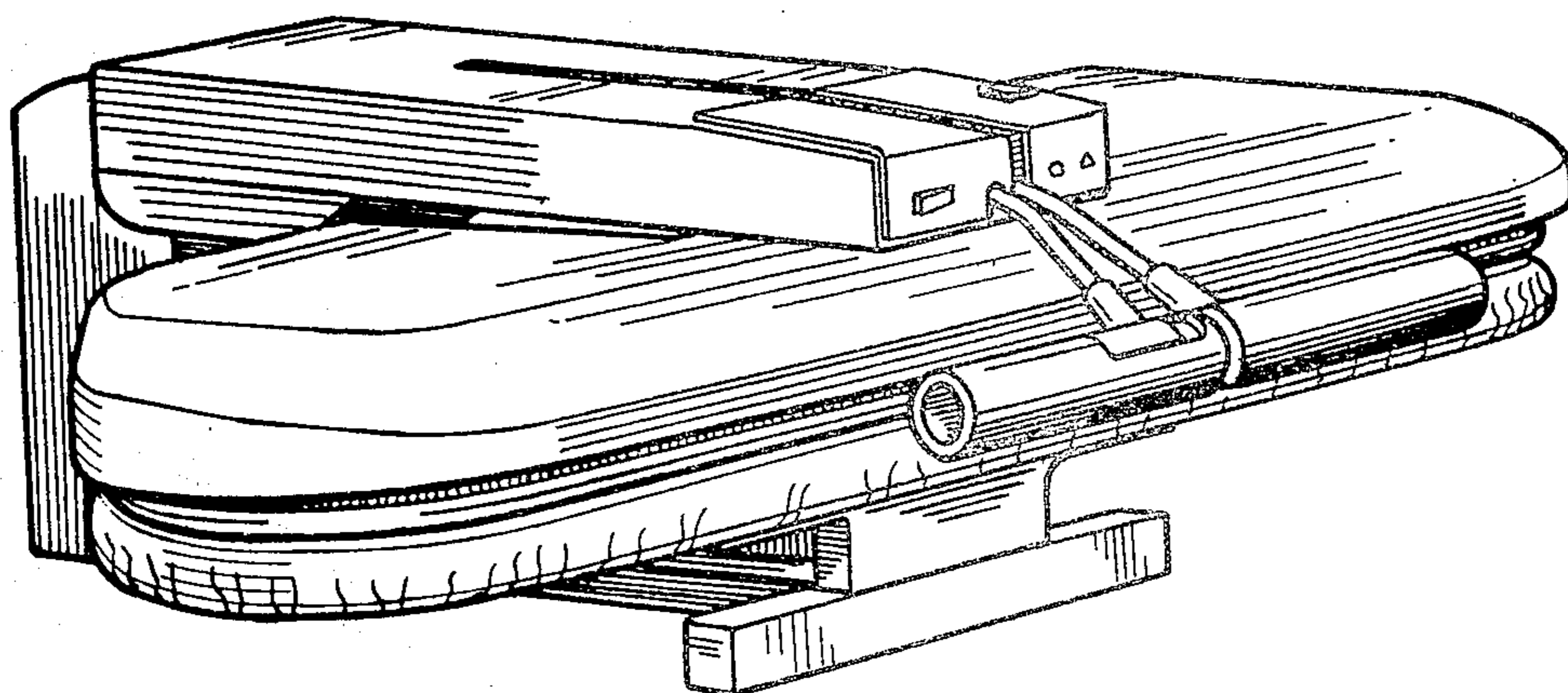


FIG. 8

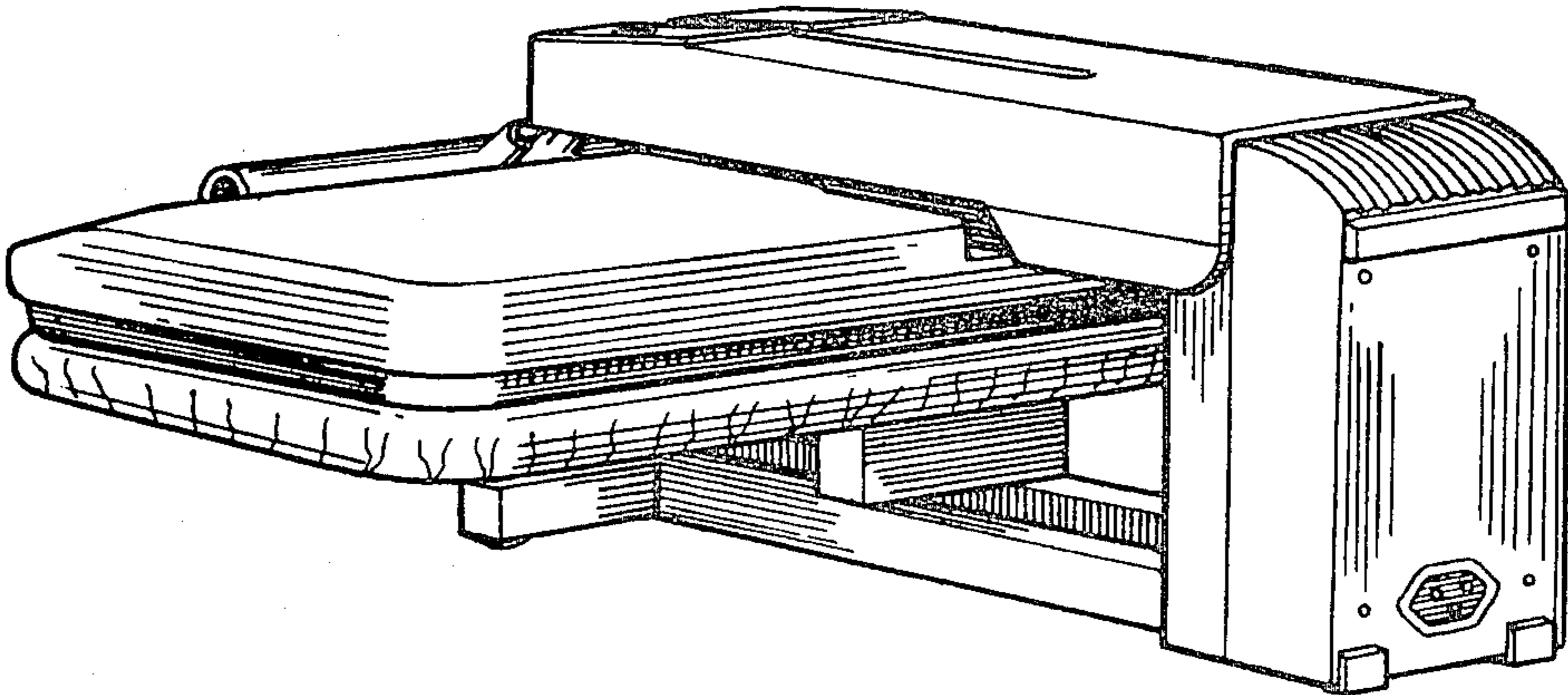


FIG. 9

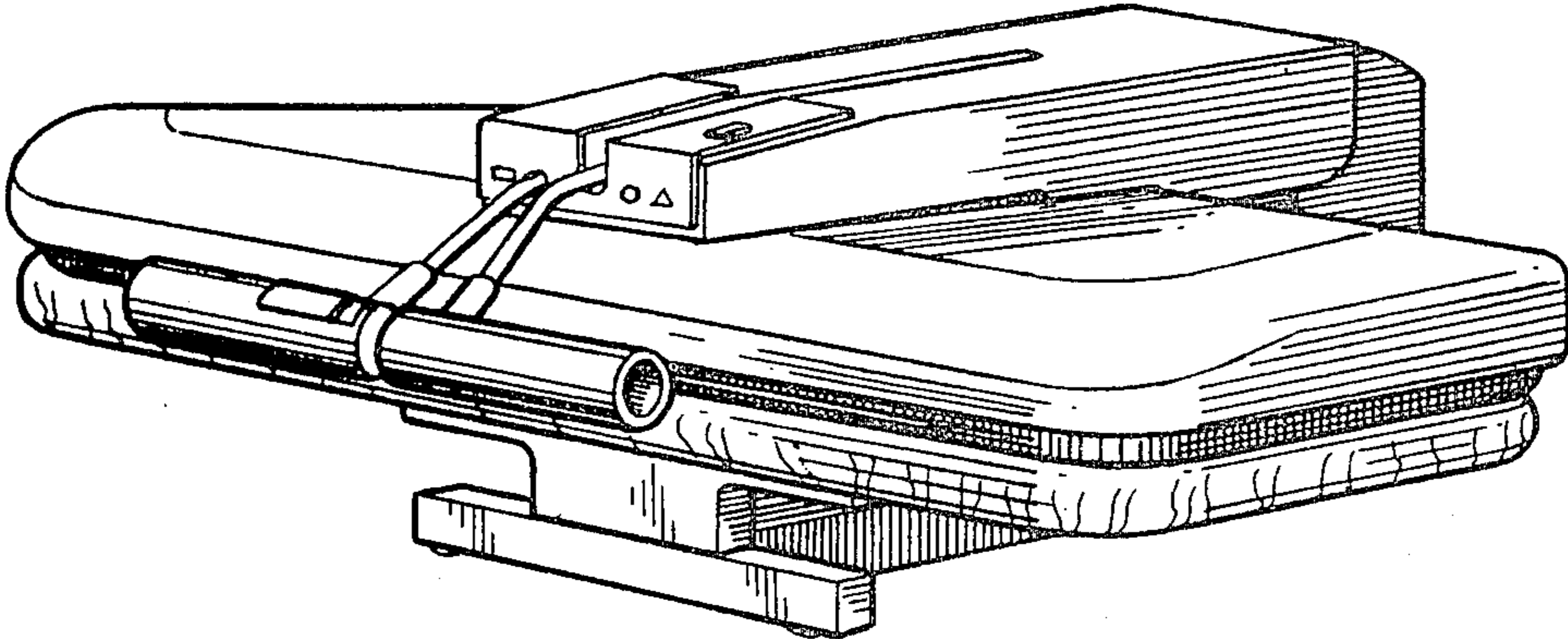


FIG.10

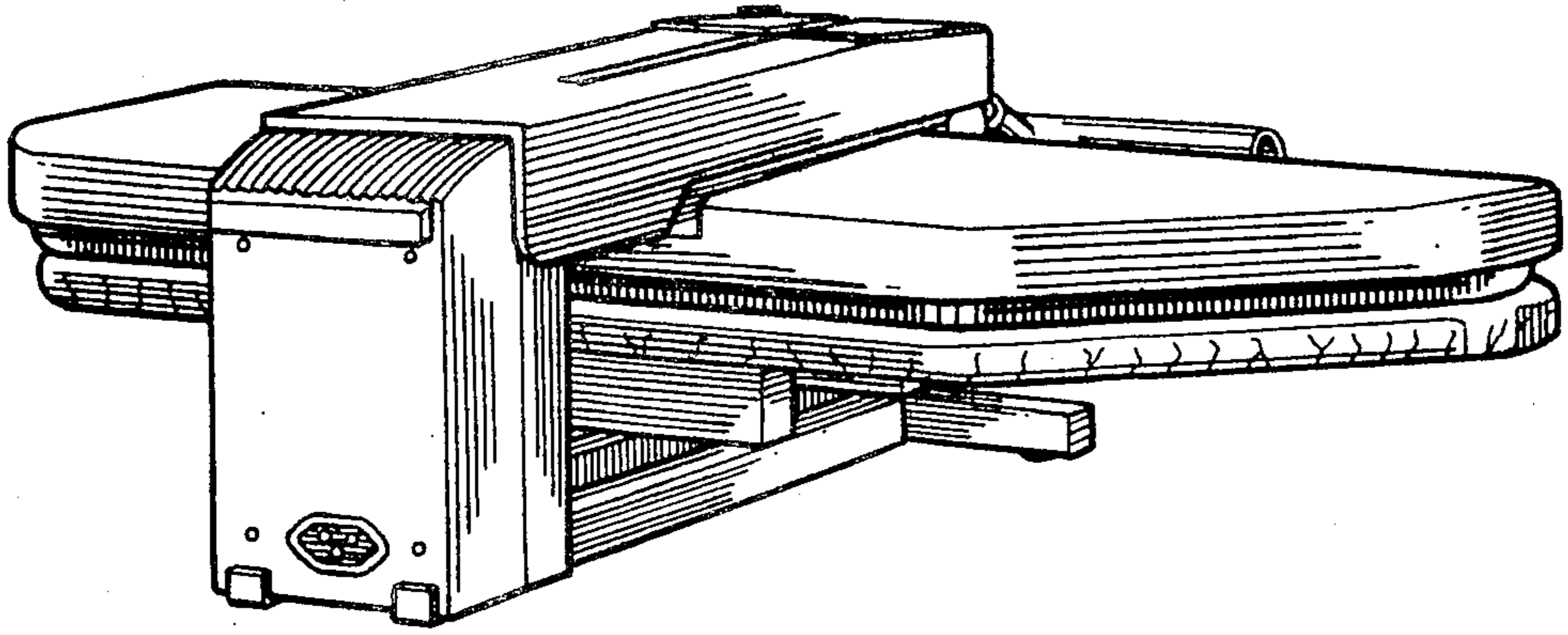


FIG.11

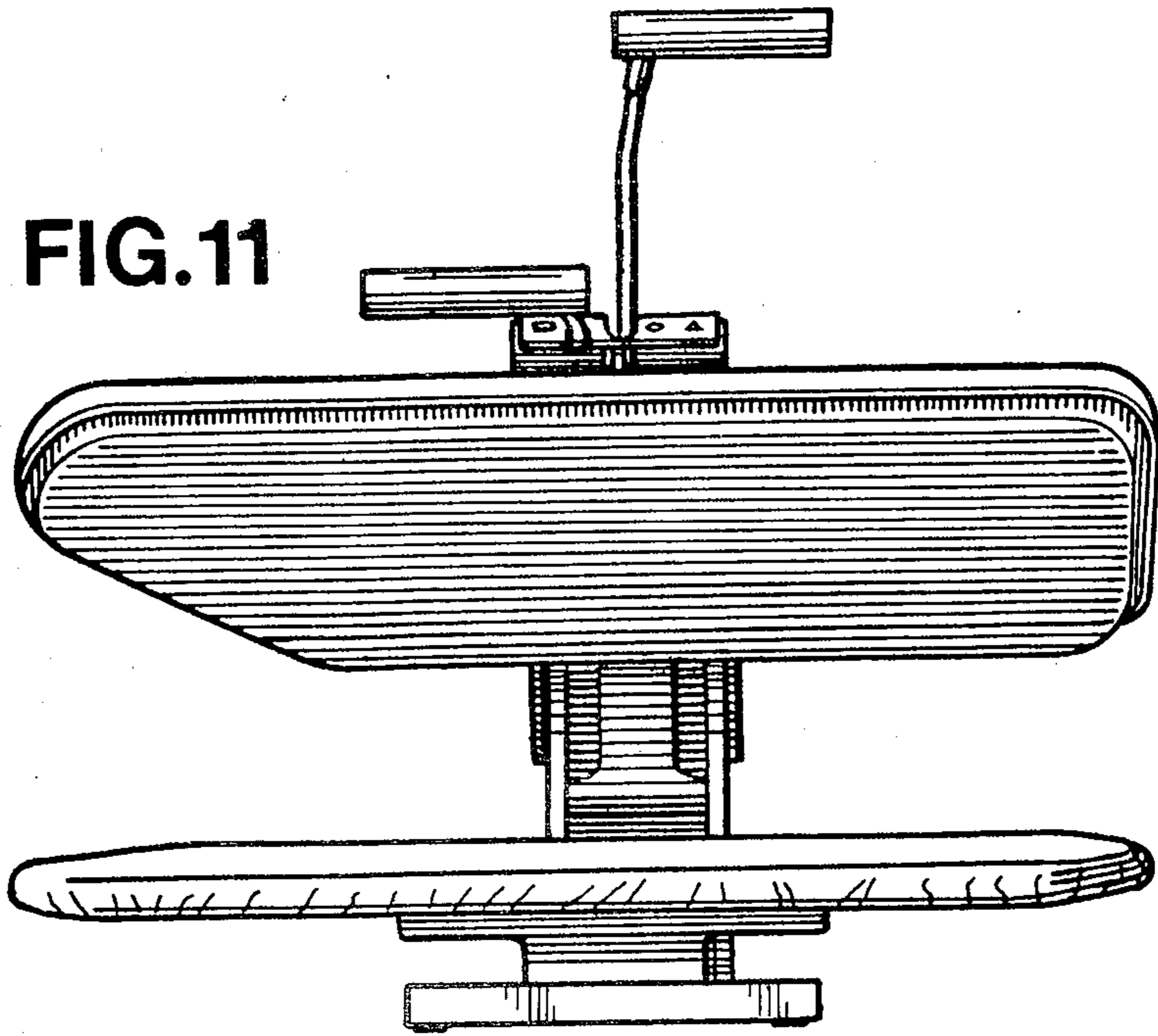


FIG.12

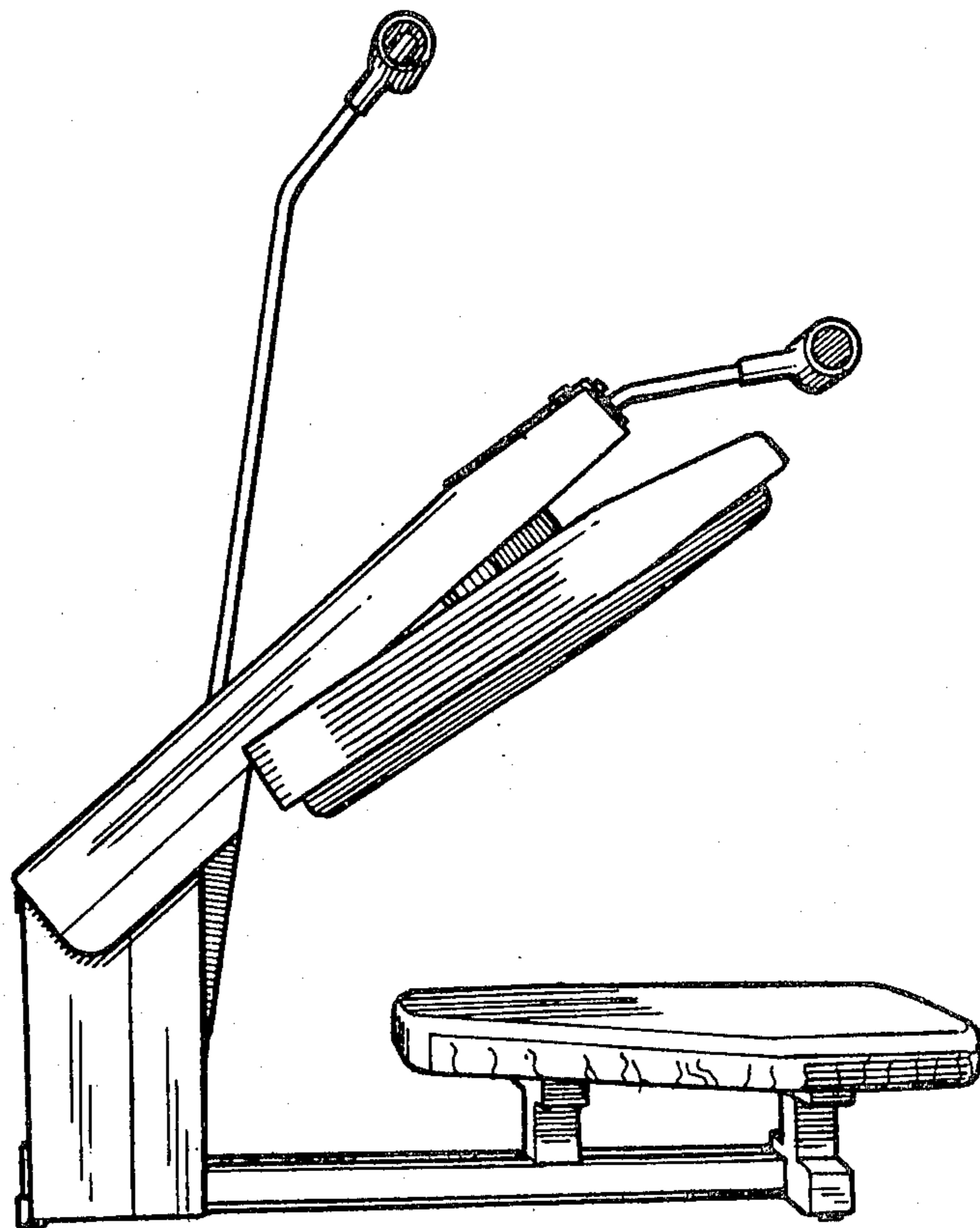


FIG.13

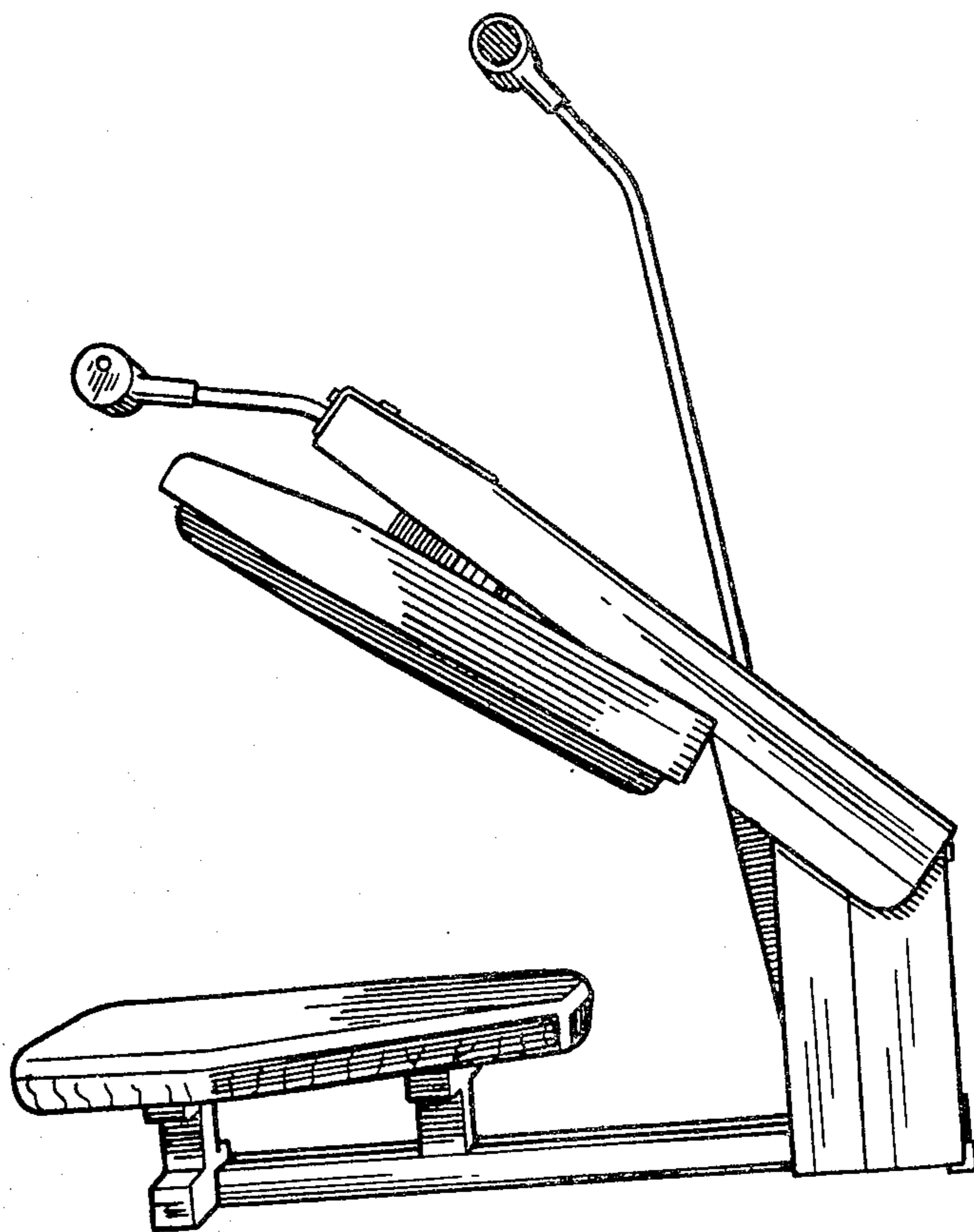


FIG.14

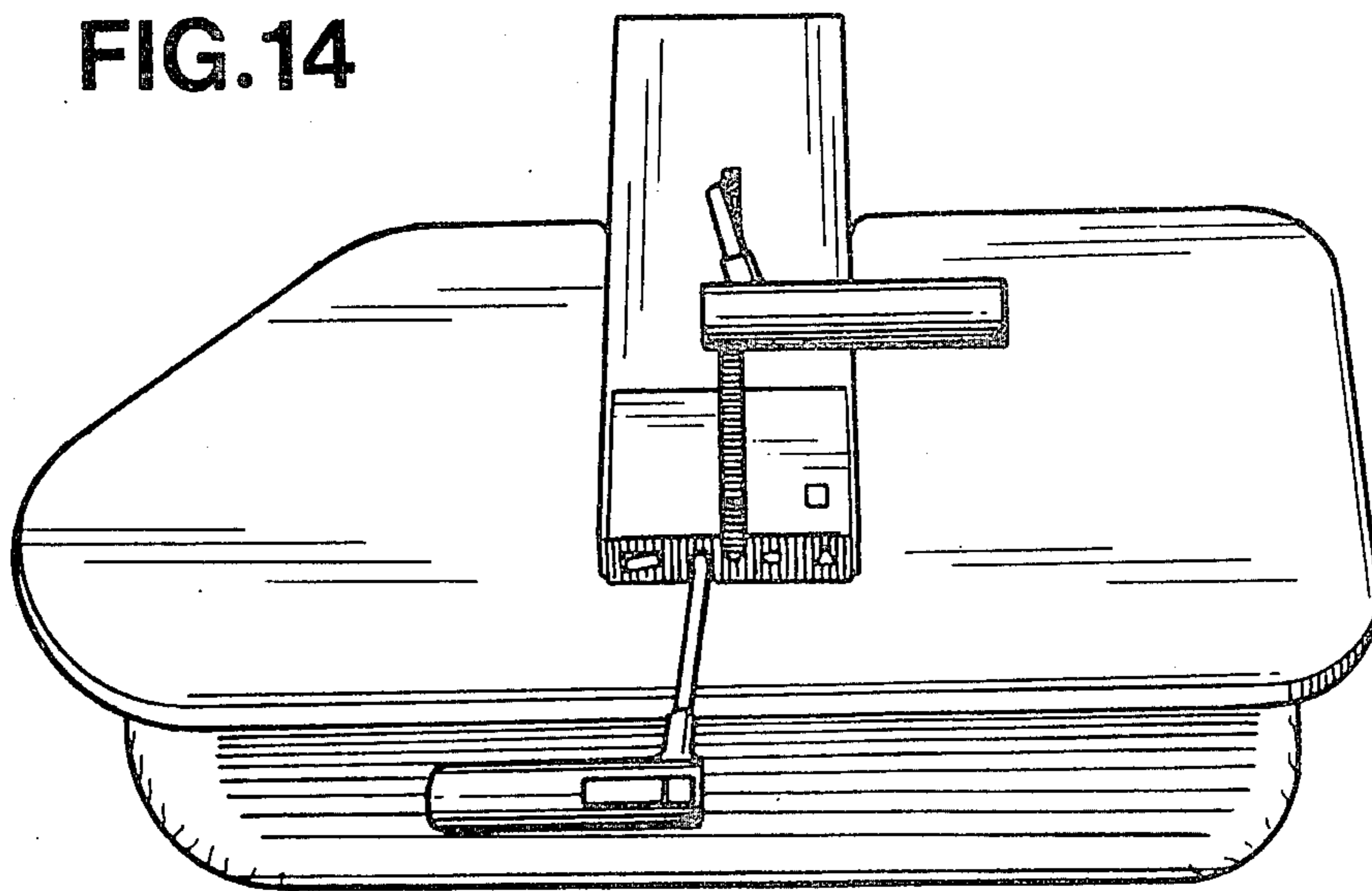


FIG.15

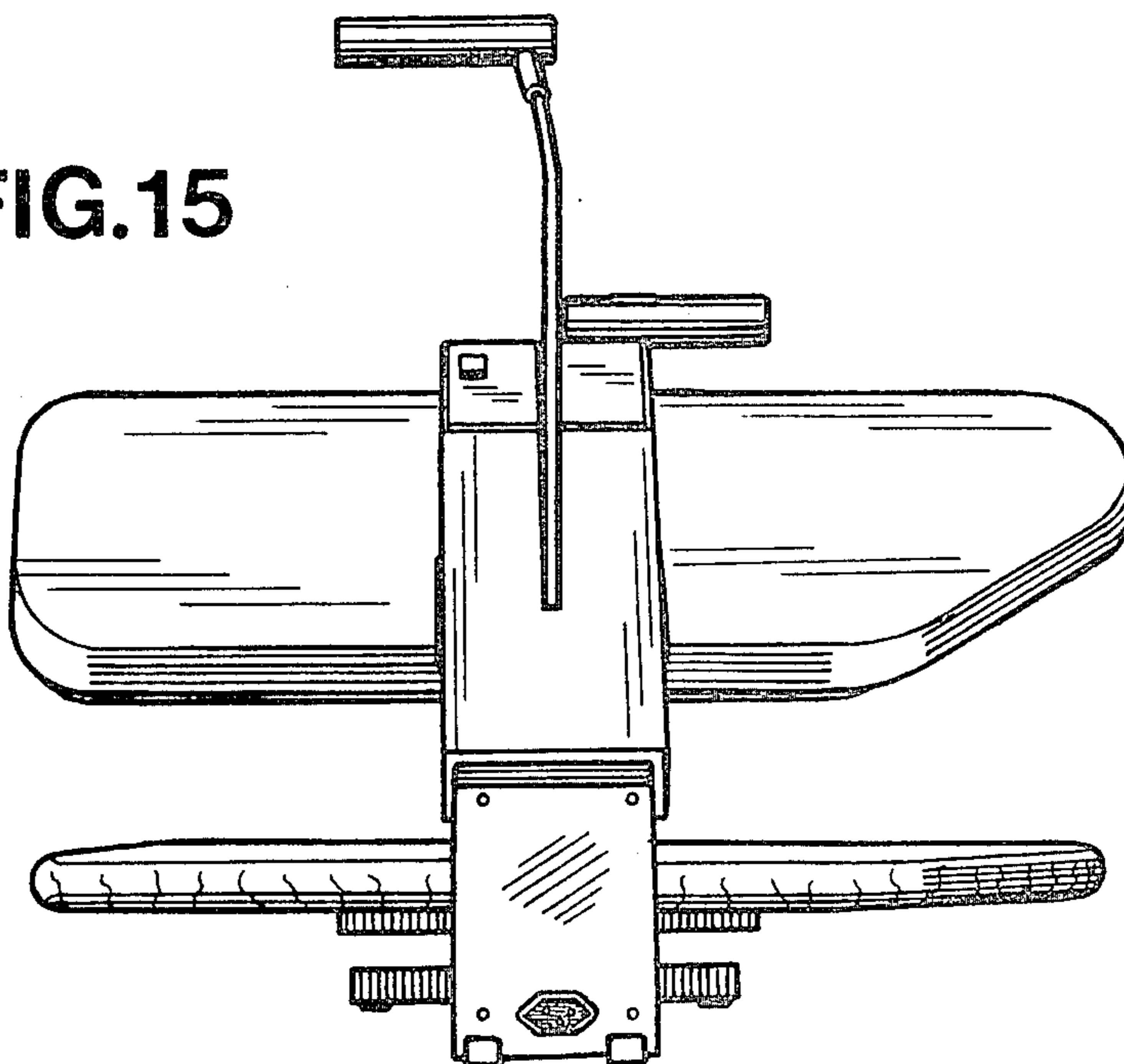


FIG.16

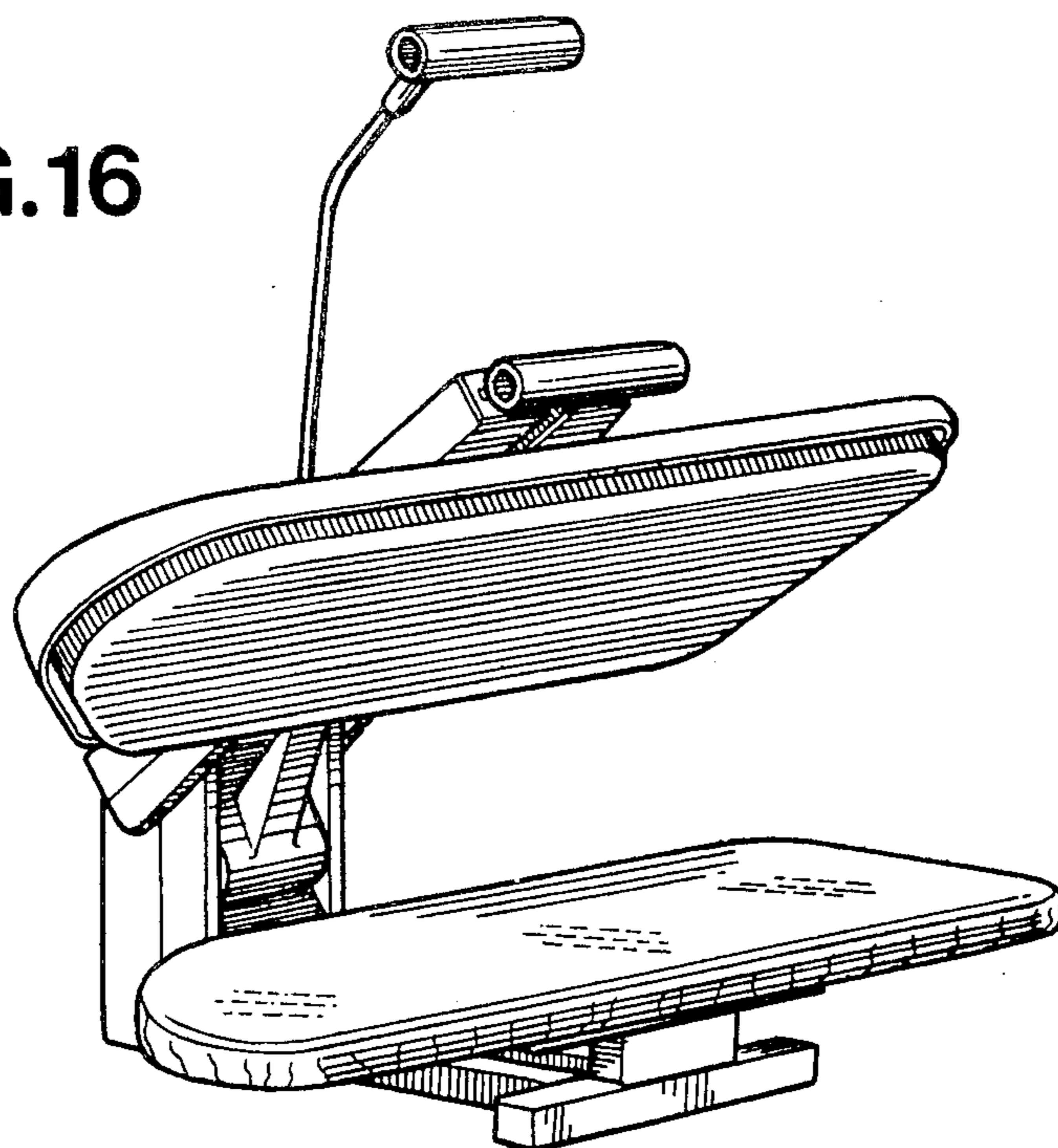


FIG.17

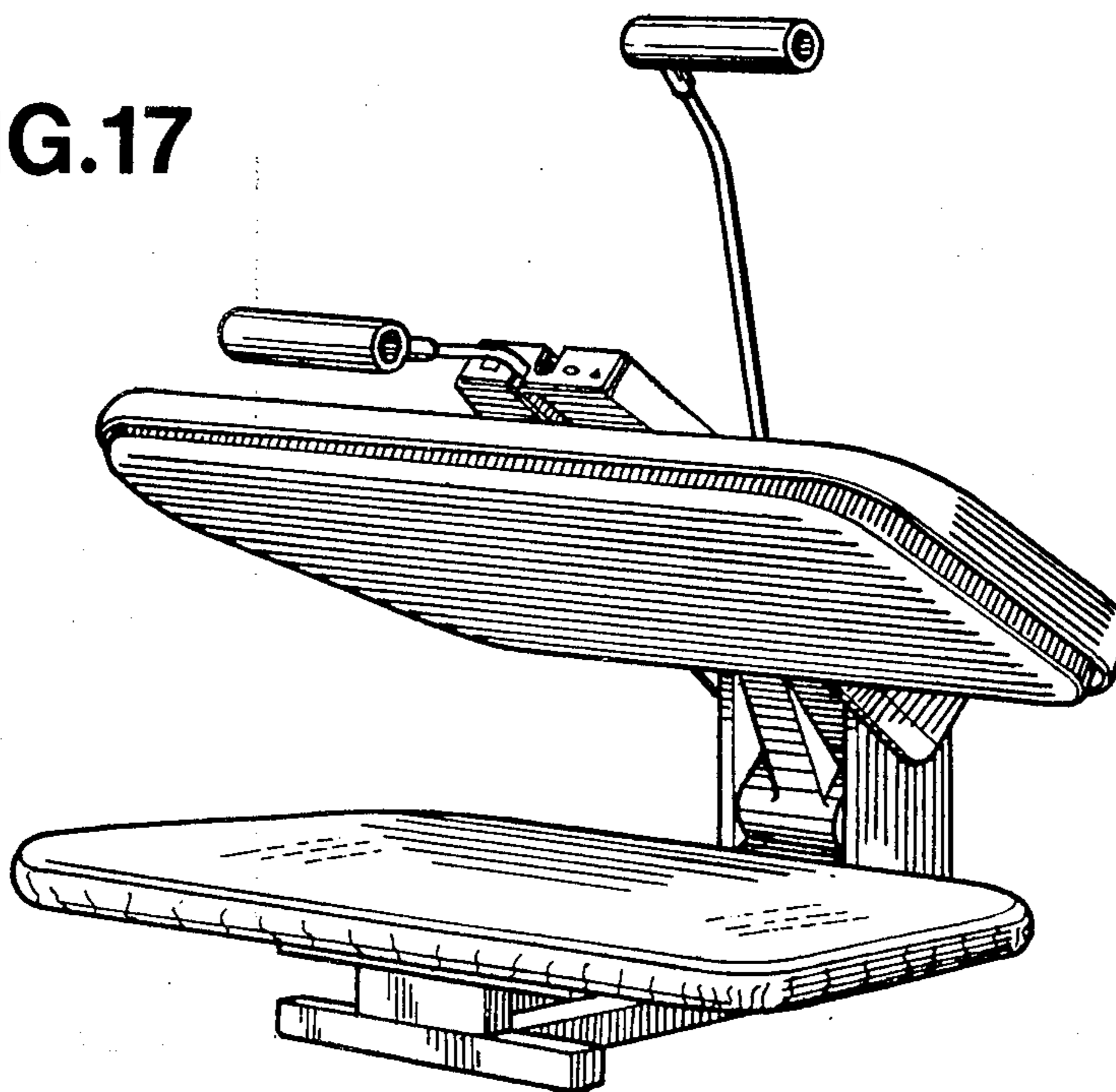


FIG.18

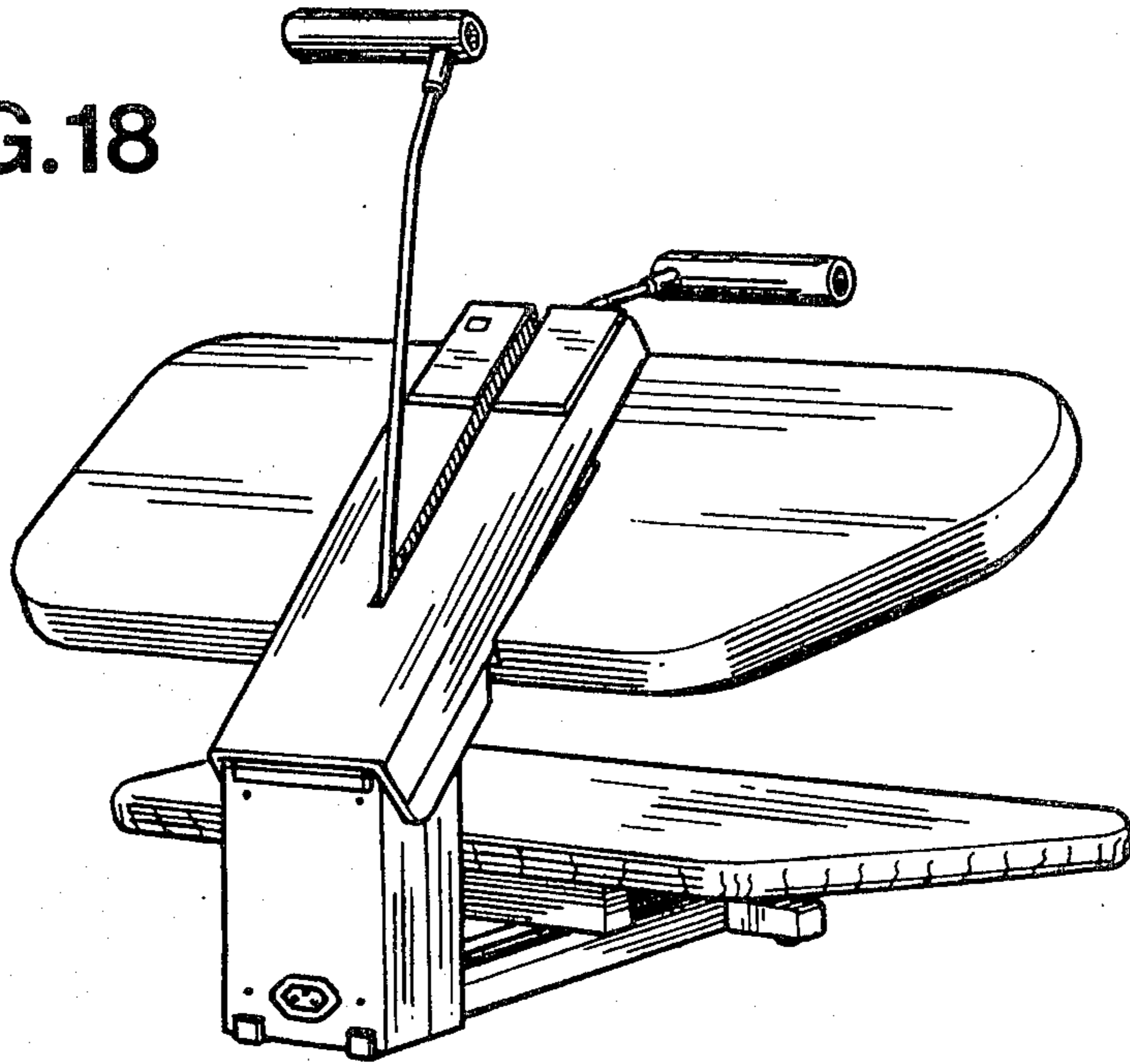


FIG.19

