

[54] BAG HOLDER

[76] Inventor: Thomas D. Peterson, 469-471 Jarvis Ave., Winnipeg, Manitoba, Canada, R2W3A4

[**] Term: 14 Years

[21] Appl. No.: 439,014

[22] Filed: Nov. 3, 1982

[30] Foreign Application Priority Data

Sep. 21, 1982 [CA] Canada 21-09-82-1

[52] U.S. Cl. D34/6

[58] Field of Search D34/5, 6; 248/95, 97, 248/98, 99, 100, 101

[56] References Cited

U.S. PATENT DOCUMENTS

- 130,051 7/1872 Hollidge 248/97
- D. 263,109 2/1982 Peterson D34/6
- 1,269,901 6/1918 Burke 248/97 X
- 3,627,242 12/1971 Vandermast 248/97

- 4,157,801 6/1979 Elmer 248/97
- 4,273,167 6/1981 Stillwell 248/97 X
- 4,376,520 3/1983 Wetherington 248/97 X

FOREIGN PATENT DOCUMENTS

- 247229 5/1966 Austria 248/97
- 24008 10/1913 United Kingdom 248/97

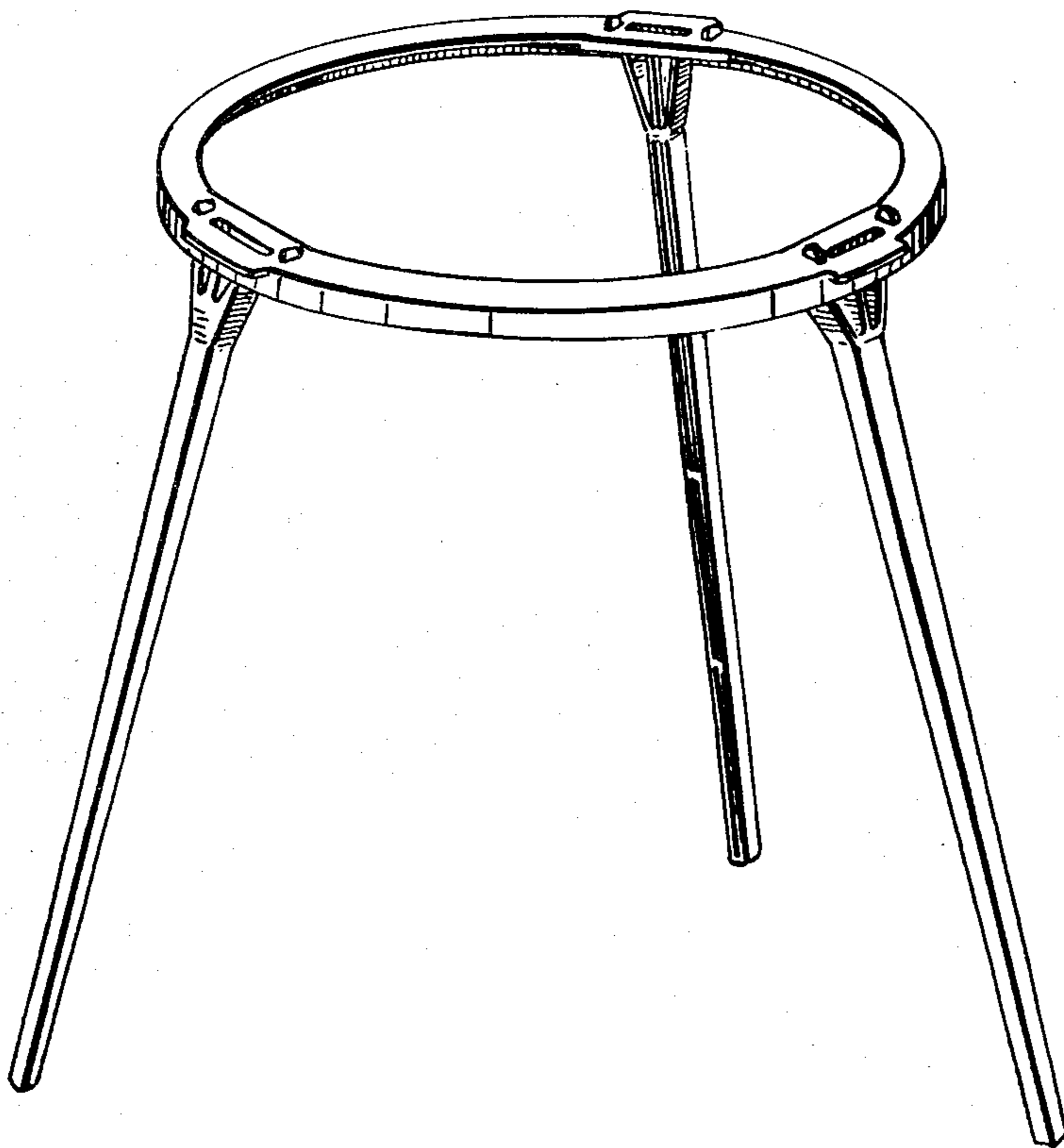
Primary Examiner—Catherine Kemper

[57] CLAIM

The ornamental design for bag holder, substantially as shown and described.

DESCRIPTION

FIG. 1 is an isometric view of a bag holder, showing my new design;
 FIG. 2 is a top plan view thereof;
 FIG. 3 is a front elevational view thereof;
 FIG. 4 is an isometric view of a second embodiment of a bag holder;
 FIG. 5 is a top plan view thereof;
 FIG. 6 is a front elevational view thereof.



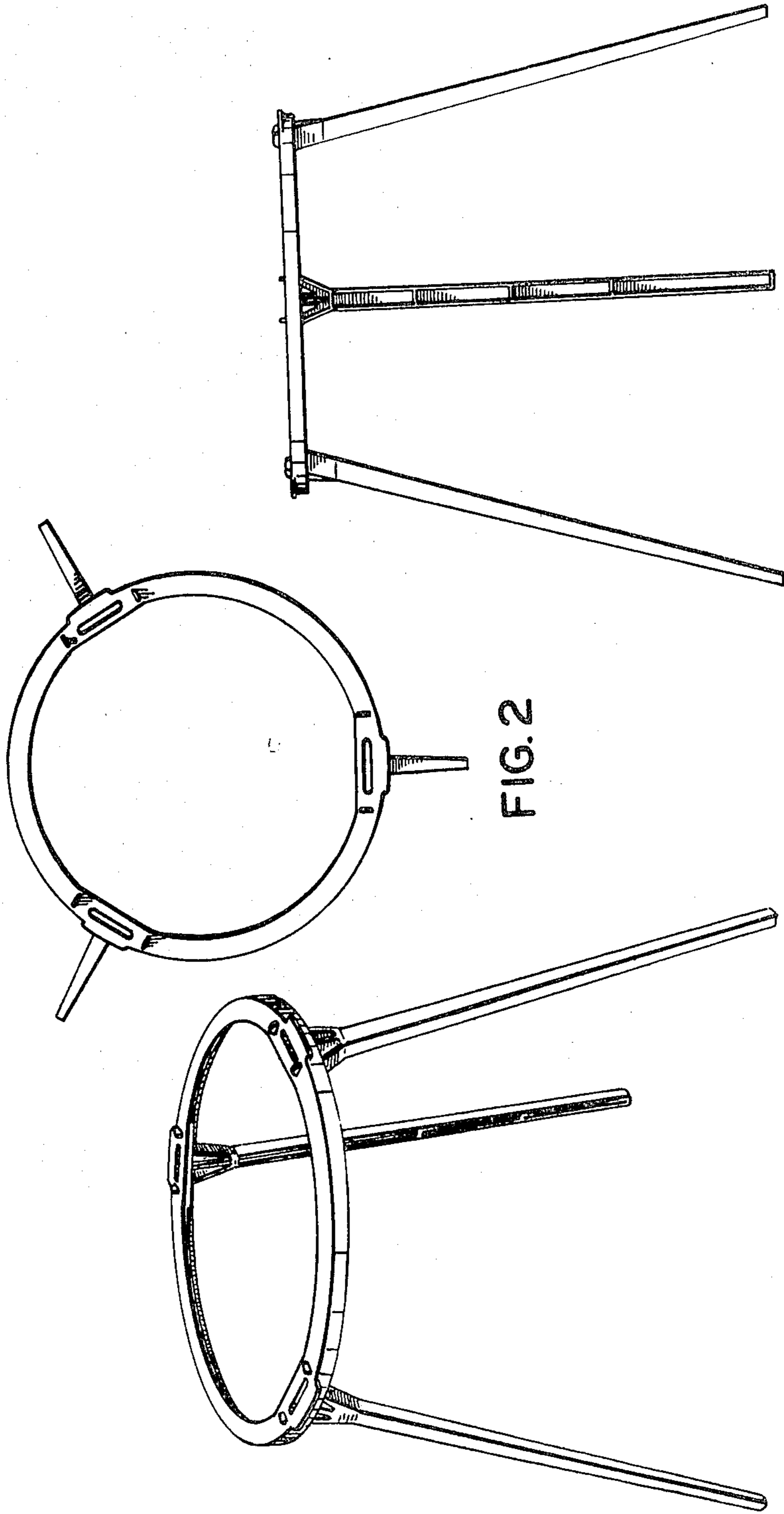


FIG. 2

FIG. 1

FIG. 3

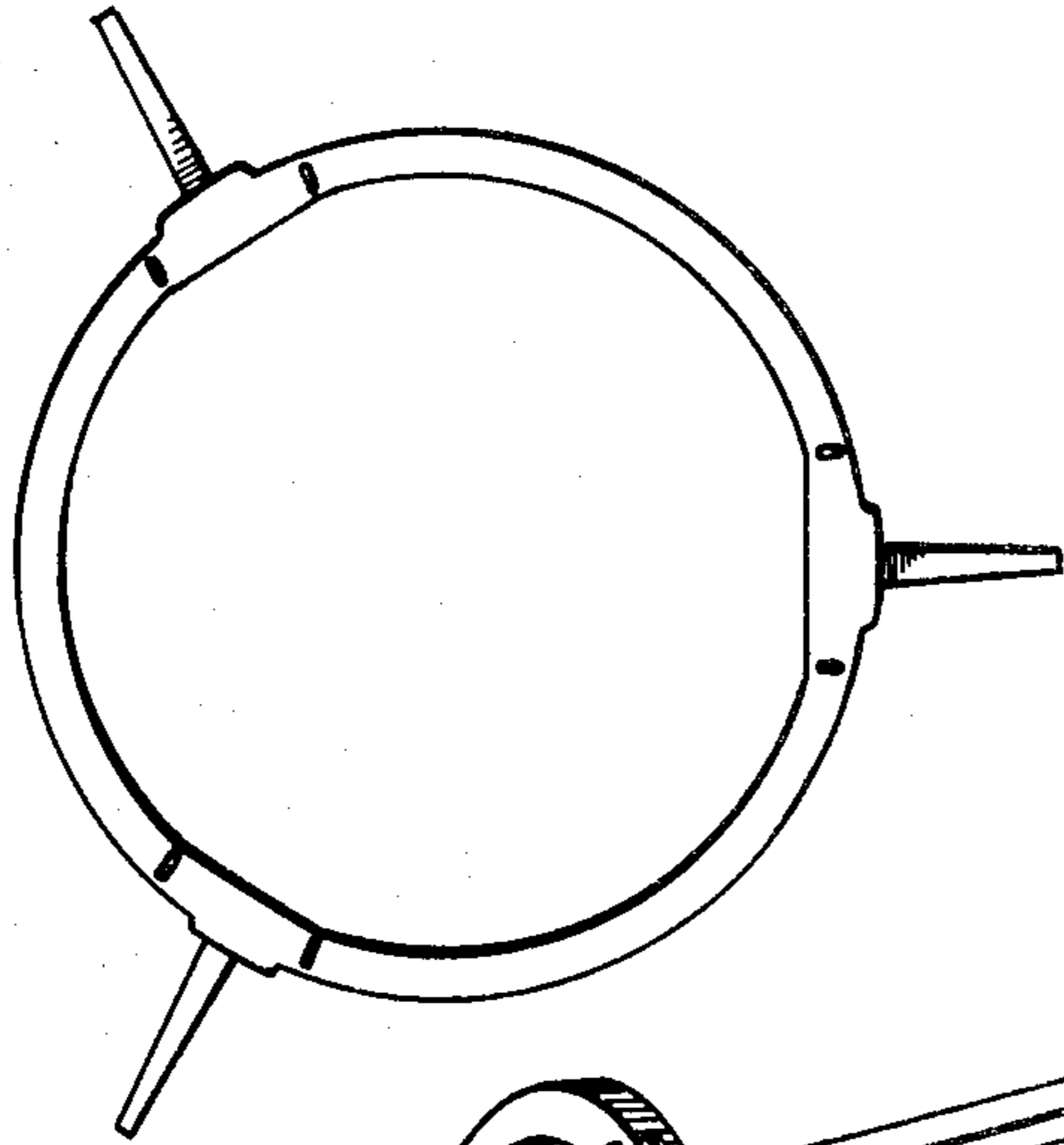


FIG. 5

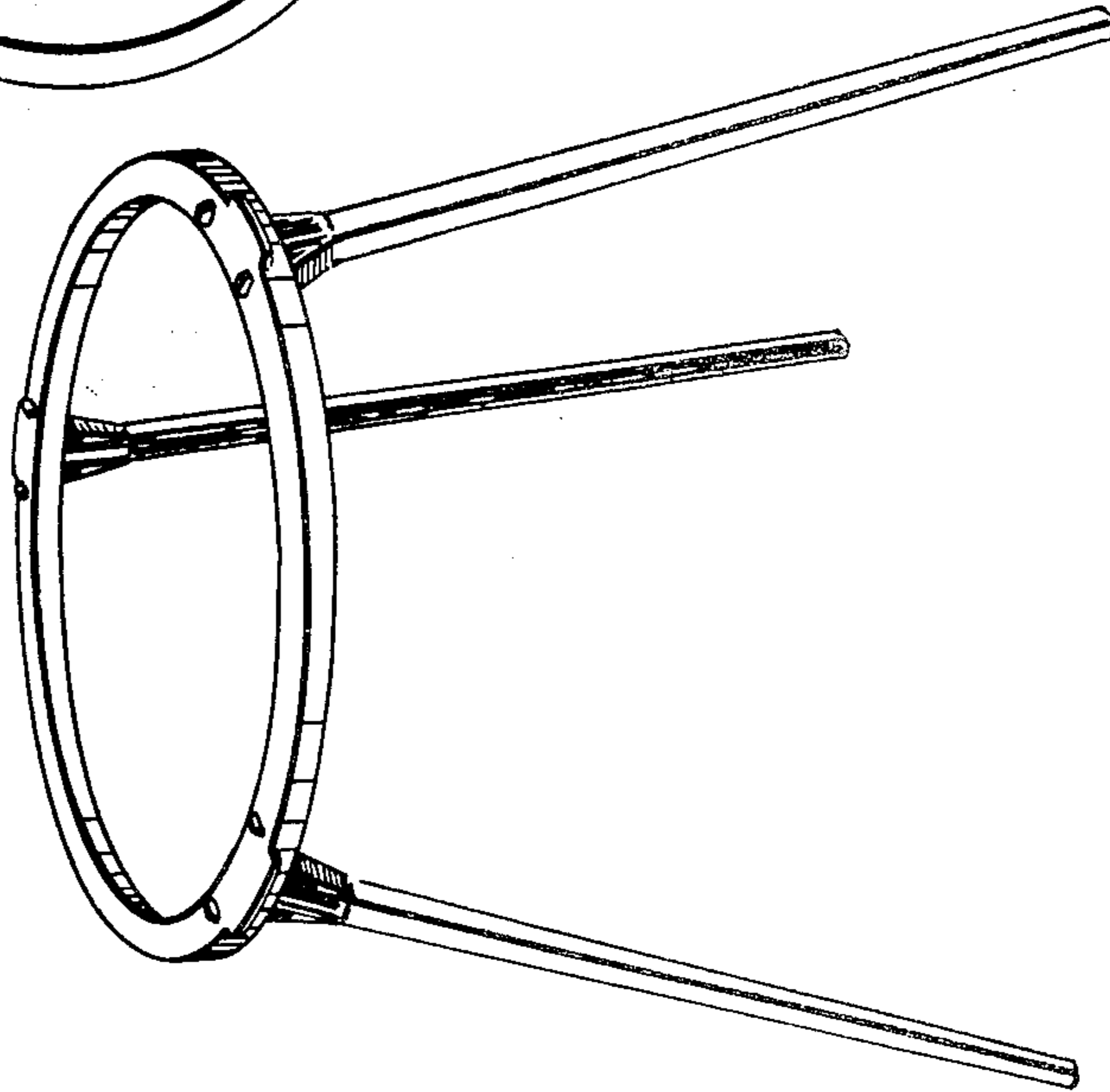


FIG. 4

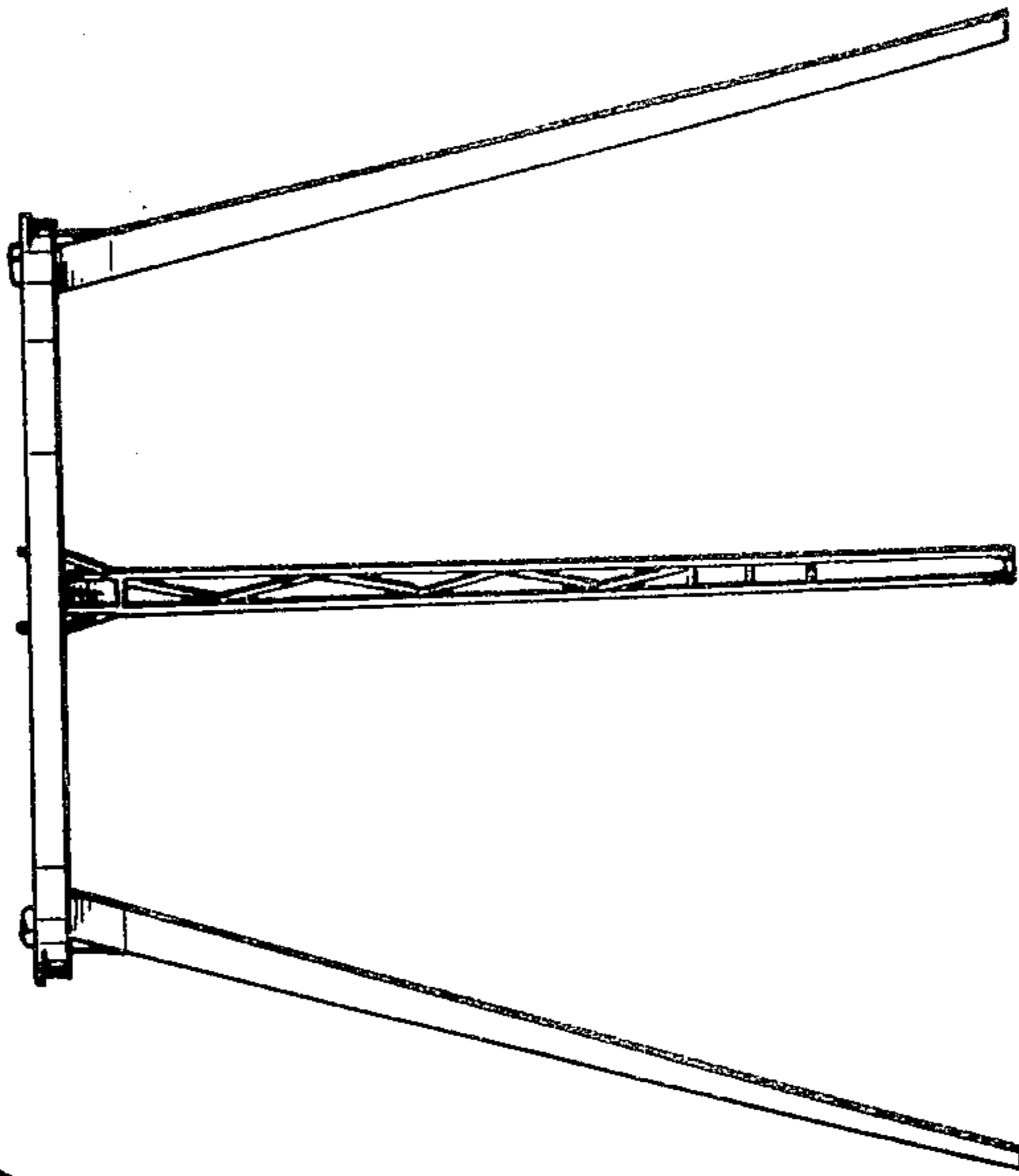


FIG. 6