

[54] ELECTRIC SHAVER

[75] Inventors: Keiji Kuribayashi, Hirakata; Takeshi Takagi, Neyagawa, both of Japan

[73] Assignee: Matsushita Electric Works, Ltd., Osaka, Japan

[**] Term: 14 Years

[21] Appl. No.: 437,467

[22] Filed: Oct. 28, 1982

[30] Foreign Application Priority Data

- Jul. 16, 1982 [JP] Japan 57-32472
- [52] U.S. Cl. D28/49
- [58] Field of Search D28/44-51;
30/32, 34 R, 34.1, 41.9, 43-43.3, 43.7-43.9, 42,
43.91, 43.92, 44, 90

[56] References Cited

U.S. PATENT DOCUMENTS

- D. 175,602 9/1955 Jepson et al. D28/51
- D. 221,504 8/1971 Seiffert D28/51
- D. 231,278 4/1974 Van Lelyveld D28/51
- D. 246,261 11/1977 Krapowicz D28/49

FOREIGN PATENT DOCUMENTS

- 2075902 11/1981 United Kingdom 30/34.1

Primary Examiner—Louis S. Zarfes

Attorney, Agent, or Firm—Burns, Doane, Swecker & Mathis

[57] CLAIM

The ornamental design for an electric shaver, substantially as shown and described.

DESCRIPTION

FIG. 1 is a front elevational view of an electric shaver showing our new design with the protective casing removed;

FIG. 2 is a rear elevational view thereof;

FIG. 3 is a top plan view thereof;

FIG. 4 is a bottom plan view thereof;

FIG. 5 is a left side elevational view thereof;

FIG. 6 is a right side elevational view thereof;

FIG. 7 is a sectional view taken along line 9—9 in FIG. 1, internal mechanisms being omitted for ease of illustration;

FIG. 8 is a perspective view thereof;

FIG. 9 is a front elevational view of the shaver with the protective casing mounted;

FIG. 10 is a rear elevational view thereof;

FIG. 11 is a top plan view thereof;

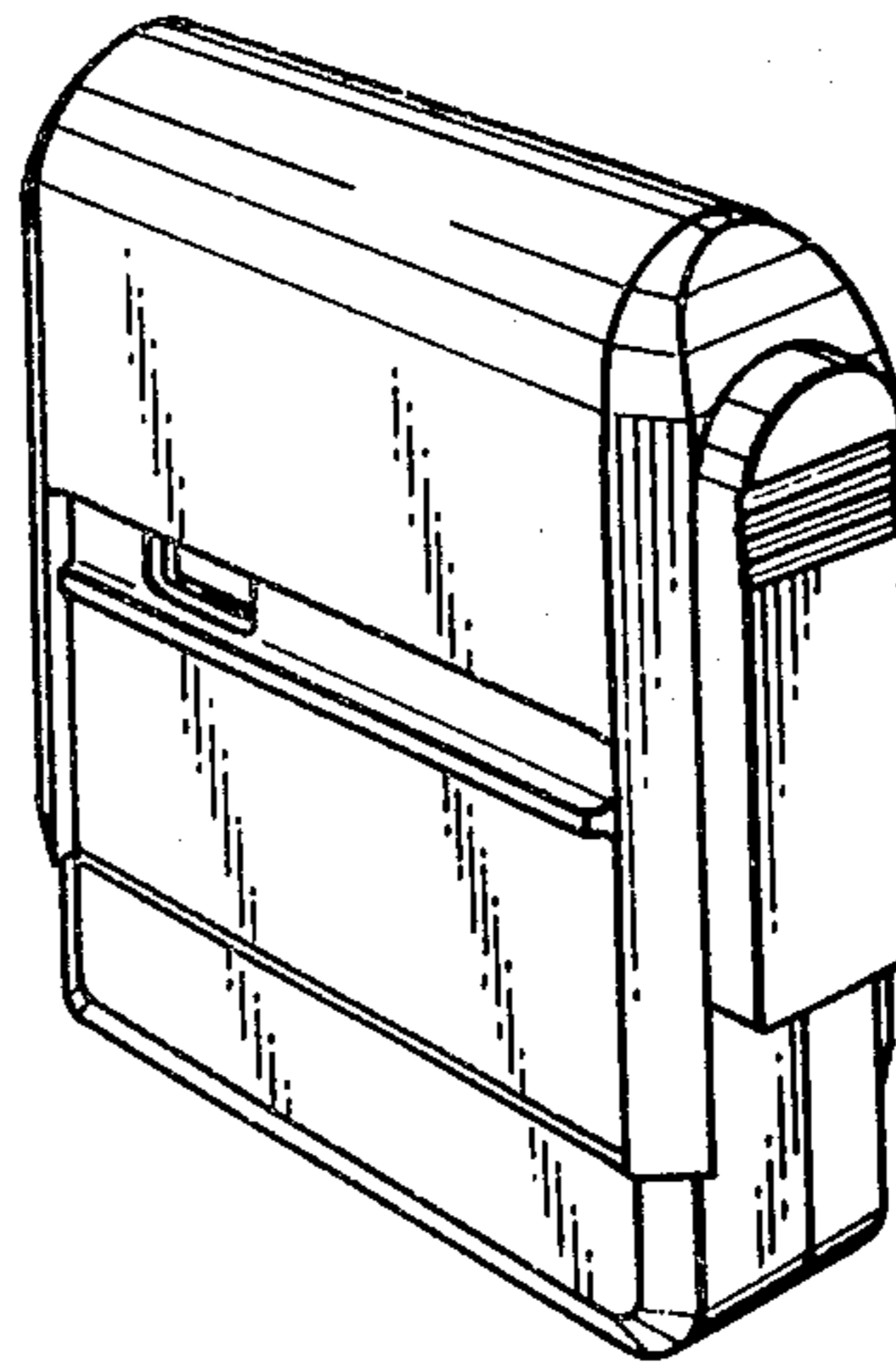
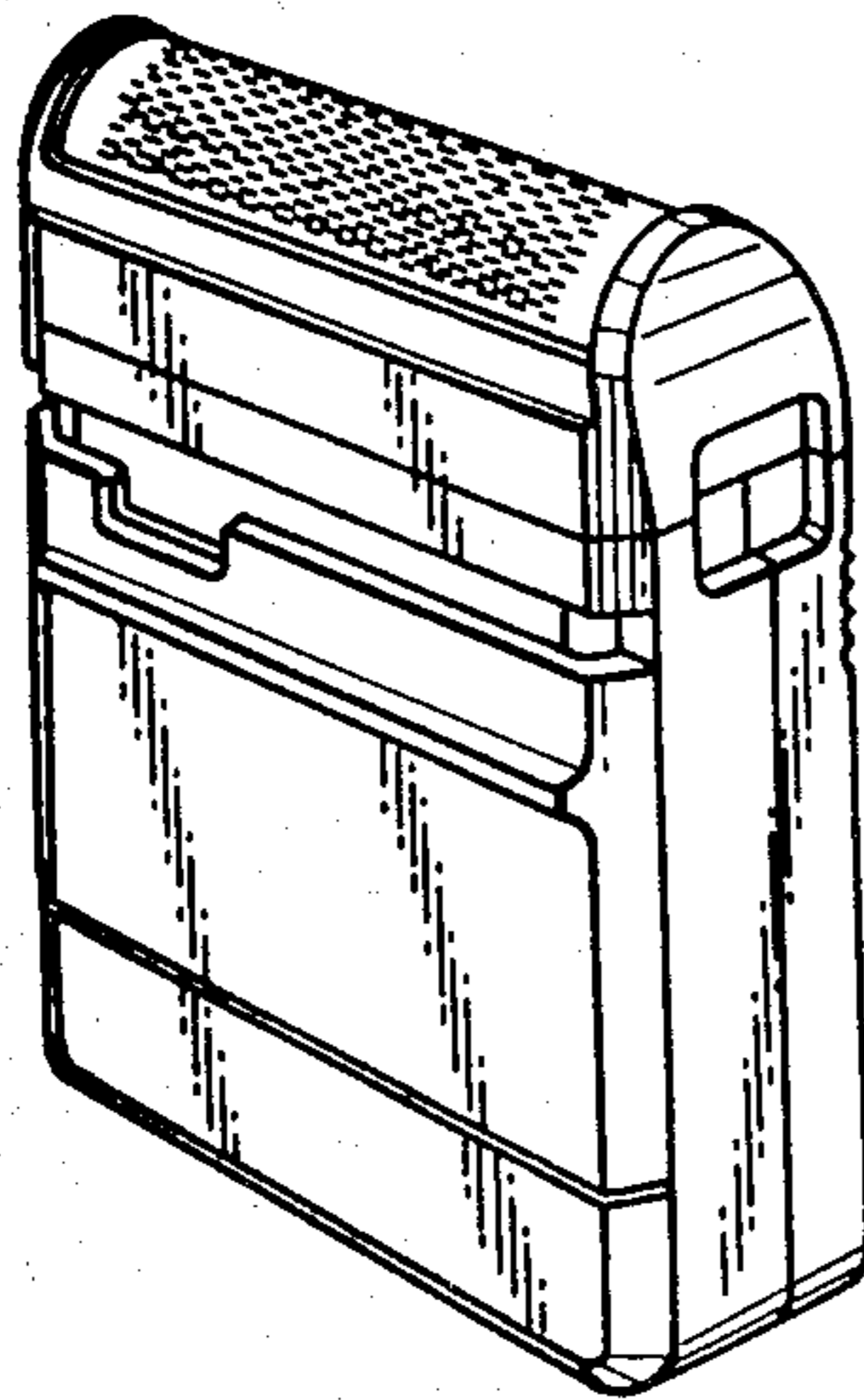
FIG. 12 is a bottom plan view thereof;

FIG. 13 is a left side elevational view thereof;

FIG. 14 is a right side elevational view thereof;

FIG. 15 is a sectional view taken along the line A¹—A¹ in FIG. 9, internal mechanisms being omitted for ease of illustration; and

FIG. 16 is a perspective view thereof.



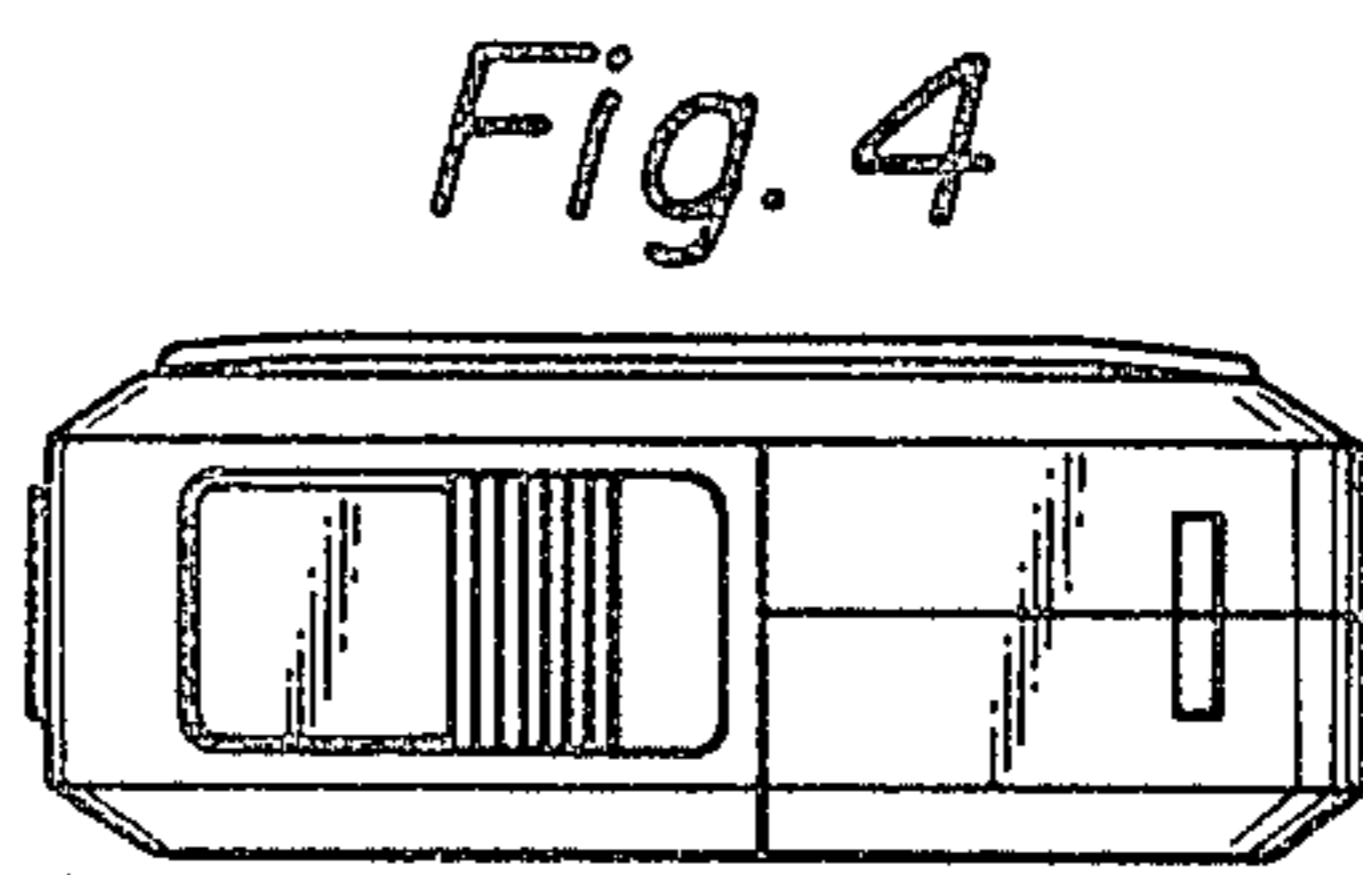
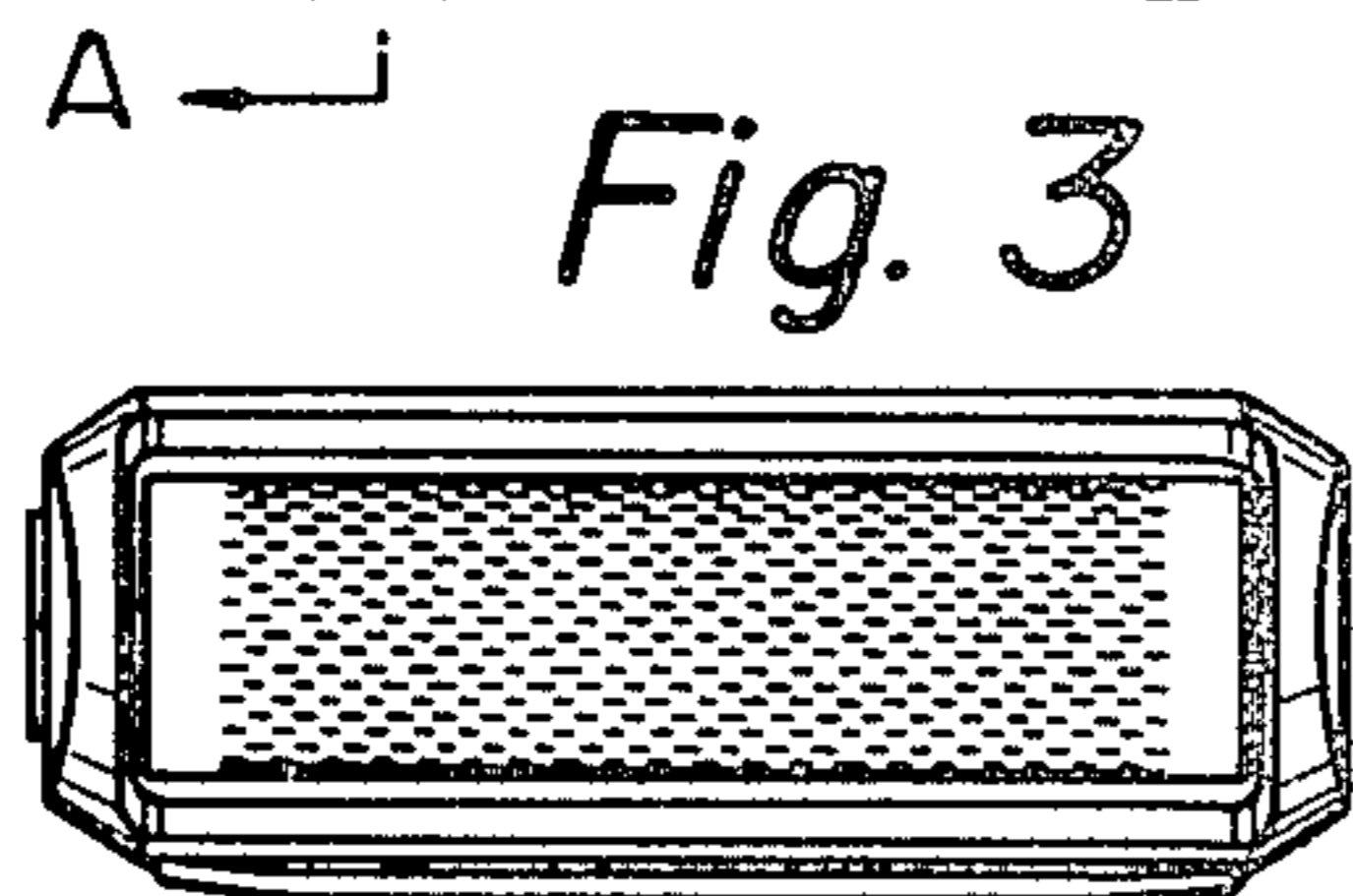
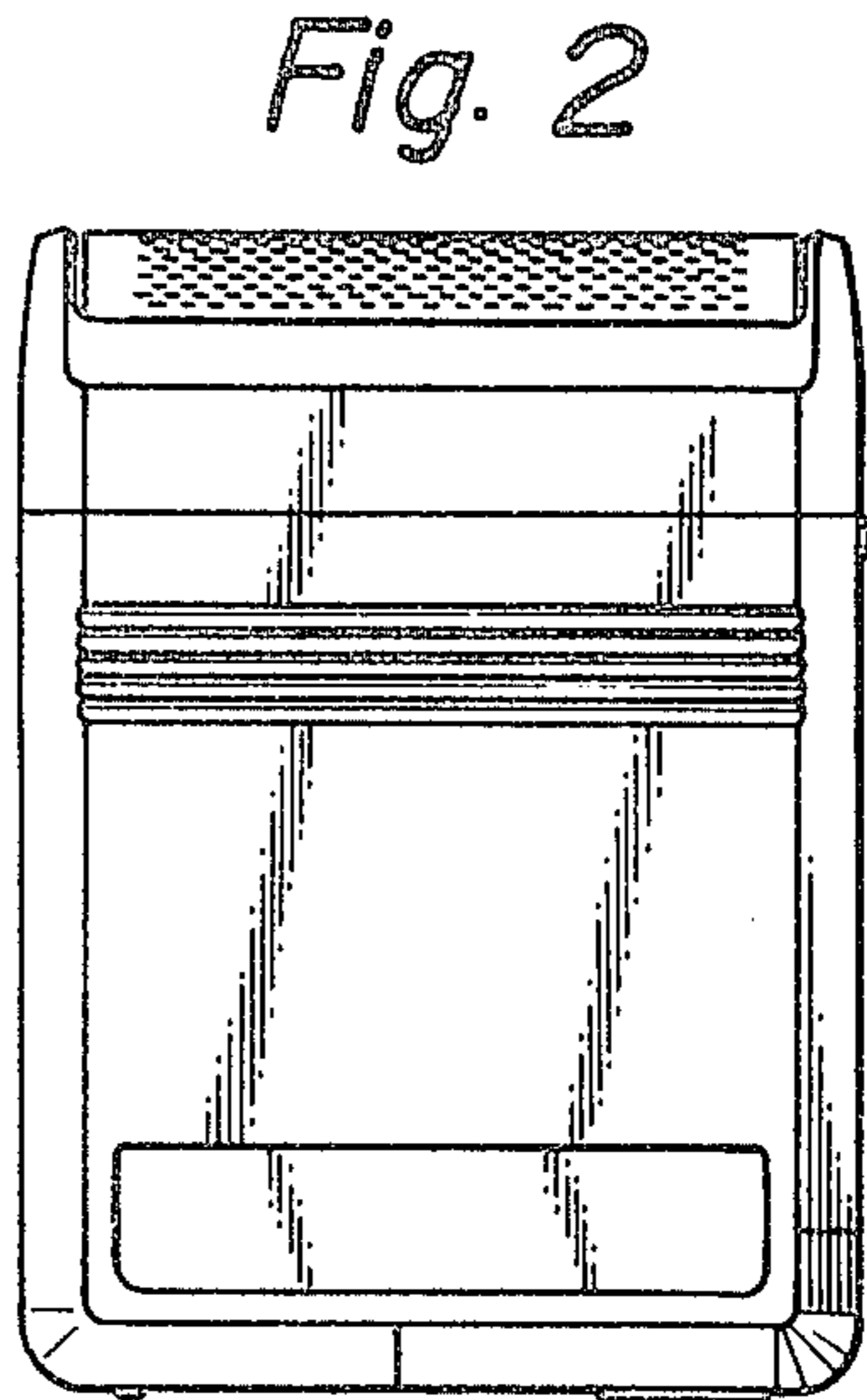
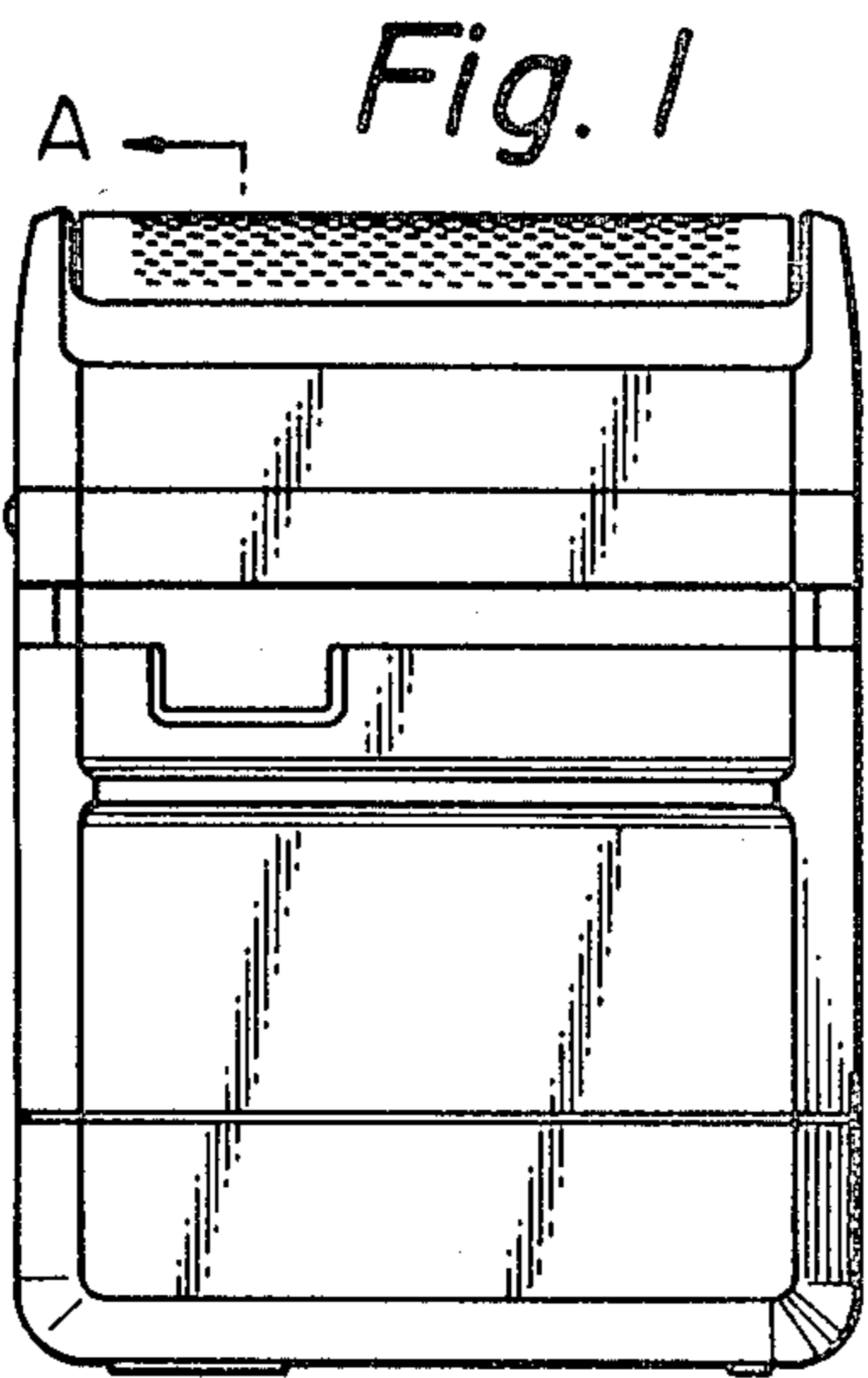


Fig. 5

Fig. 6

Fig. 7

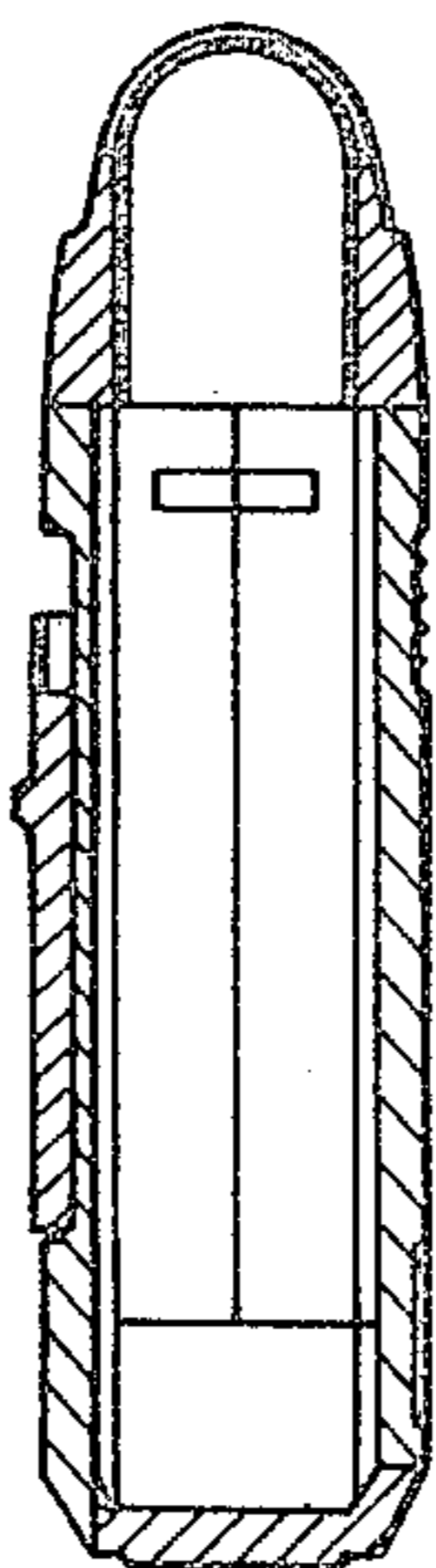
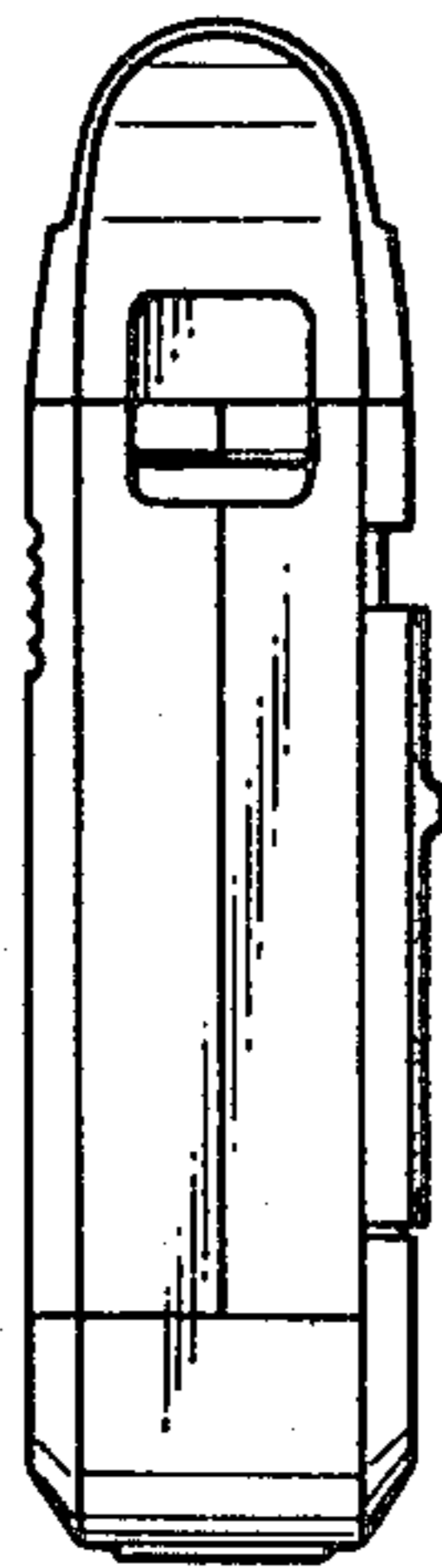


Fig. 8

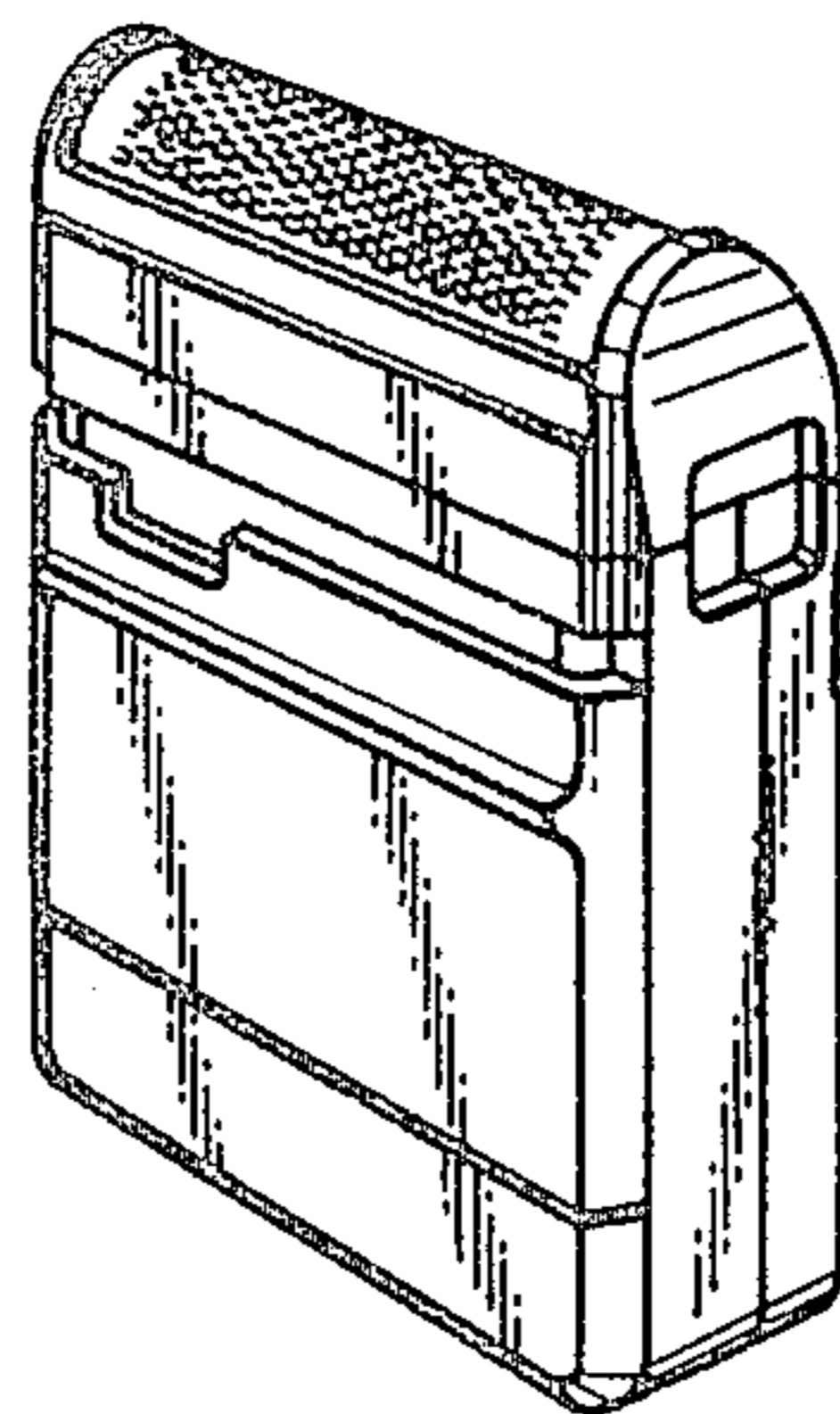


Fig. 9

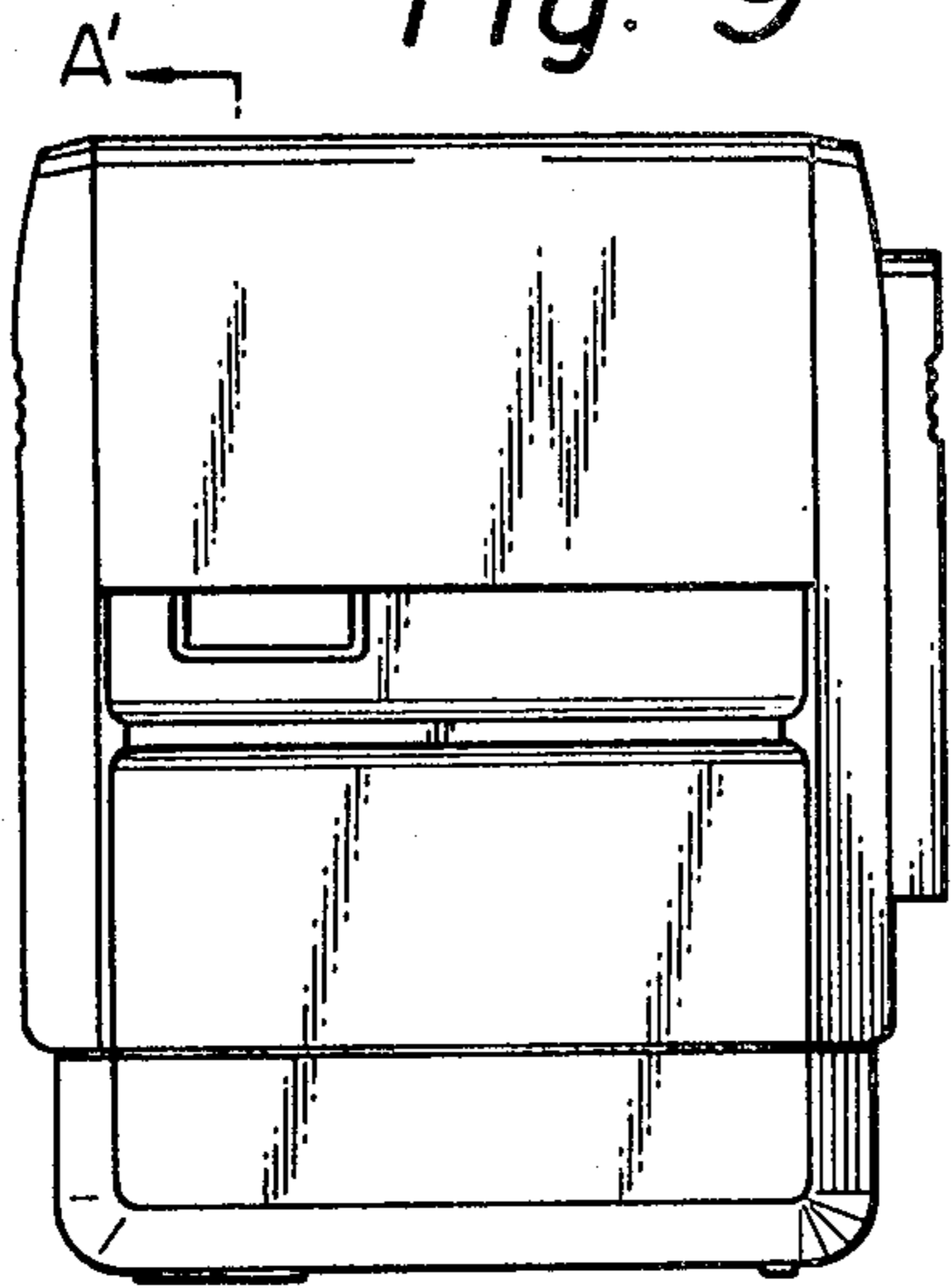


Fig. 10

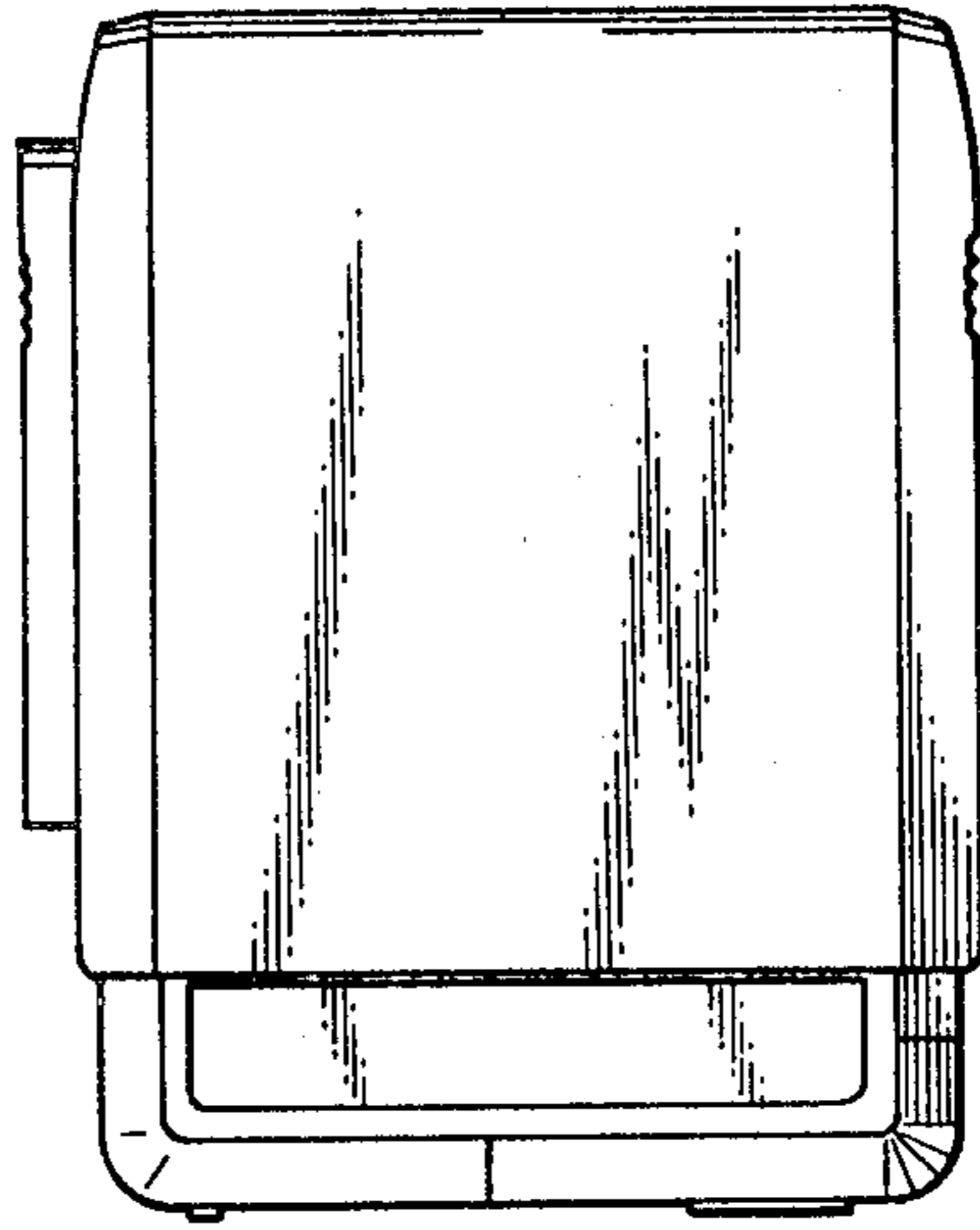


Fig. 11

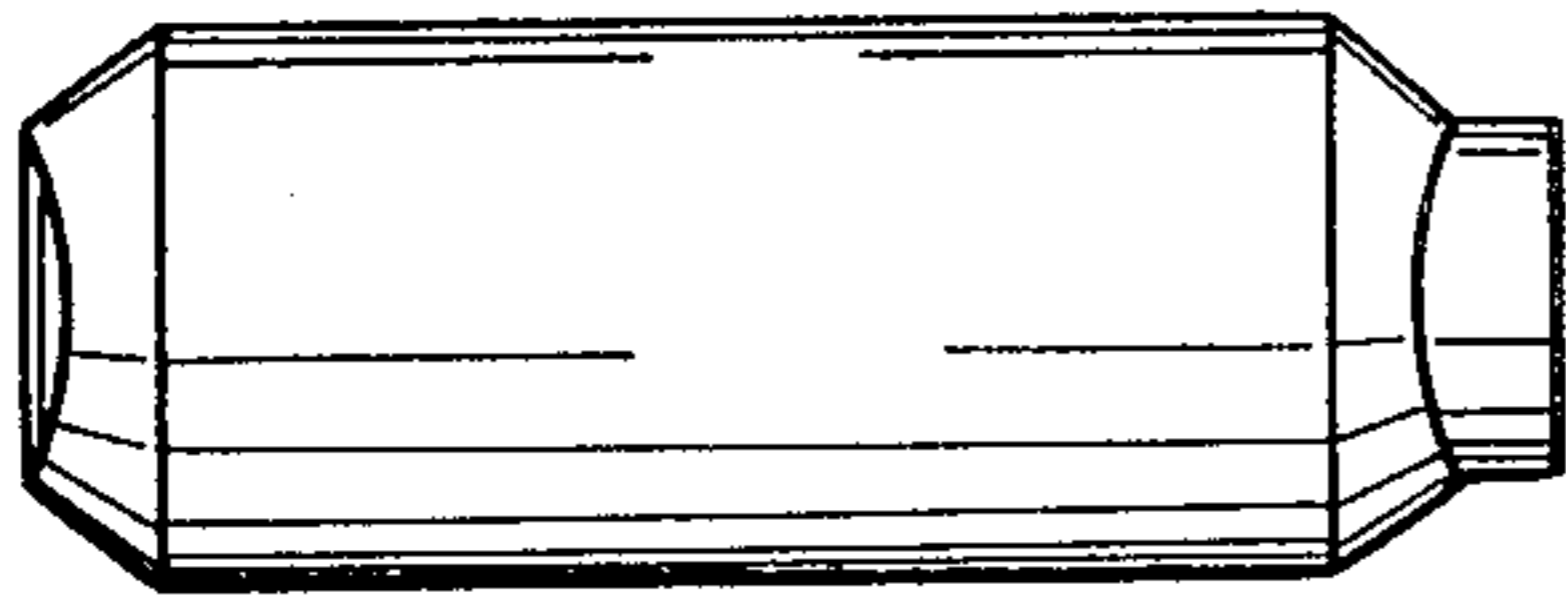


Fig. 13

Fig. 14

Fig. 15

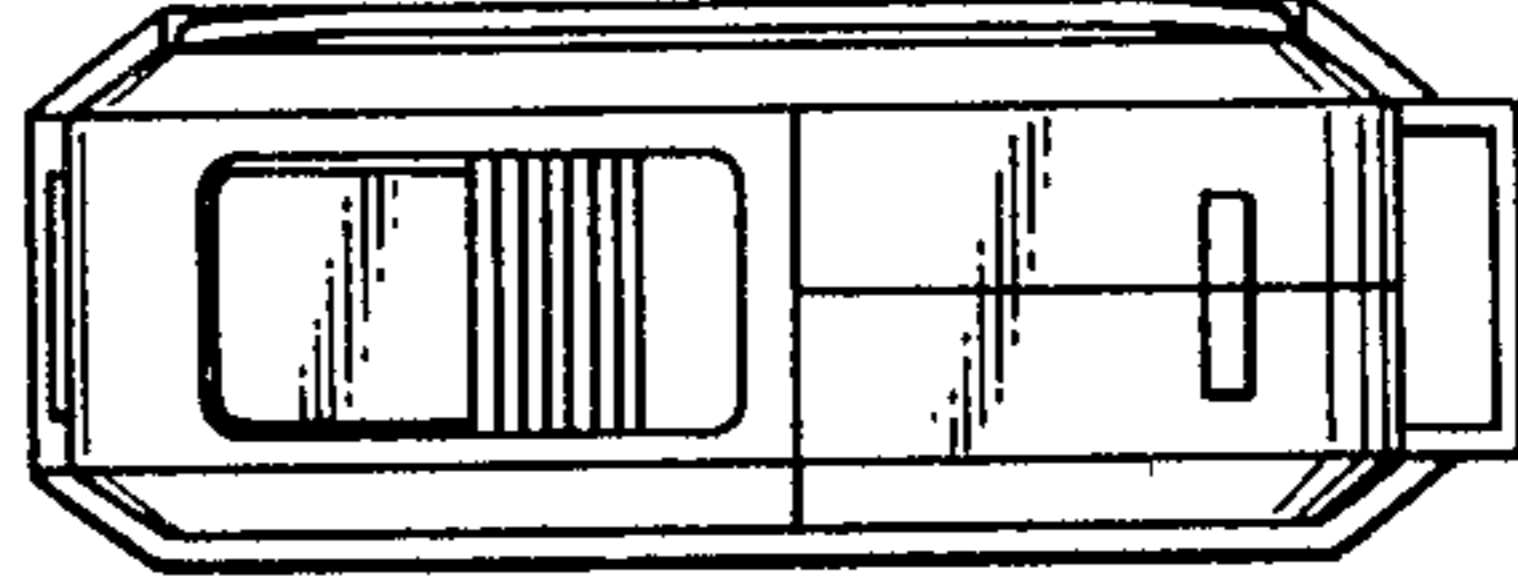


Fig. 16

