

United States Patent [19]

Rams

[11] Patent Number: **Des. 275,800**

[45] Date of Patent: **** Oct. 2, 1984**

[54] **FLASHLIGHT**

[75] Inventor: **Dieter Rams, Kronberg, Fed. Rep. of Germany**

[73] Assignee: **The Gillette Company, Boston, Mass.**

[**] Term: **14 Years**

[21] Appl. No.: **408,552**

[22] Filed: **Aug. 16, 1982**

[52] U.S. Cl. **D26/46**

[58] Field of Search **D26/37-50;**
362/157, 158, 183-208

[56] **References Cited**

U.S. PATENT DOCUMENTS

D. 149,230 4/1948 Schlotterbeck D26/46

D. 241,971 10/1976 Brindley D26/49
D. 250,141 10/1978 Teneyck et al. D26/46
3,162,376 12/1964 Furuya 362/158

Primary Examiner—Susan J. Lucas
Attorney, Agent, or Firm—Robert A. Shack

[57] **CLAIM**

The ornamental design for a flashlight, as shown.

DESCRIPTION

FIG. 1 is a side elevational view of a flashlight showing my new design, the opposite side being a mirror image thereof;

FIG. 2 is a top plan view thereof;

FIG. 3 is a bottom plan view thereof;

FIG. 4 is a front elevational view thereof; and

FIG. 5 is a rear elevational view thereof.

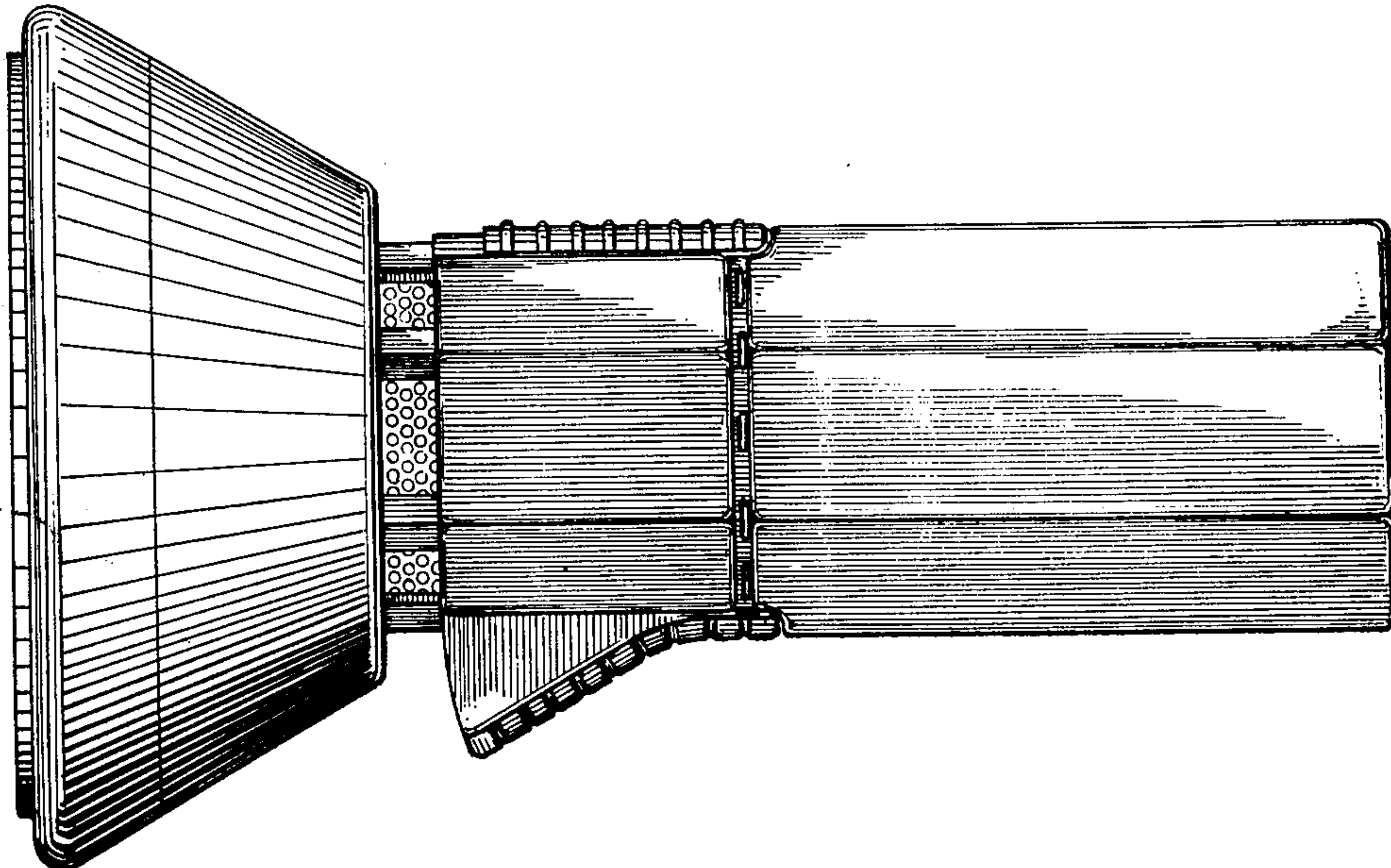
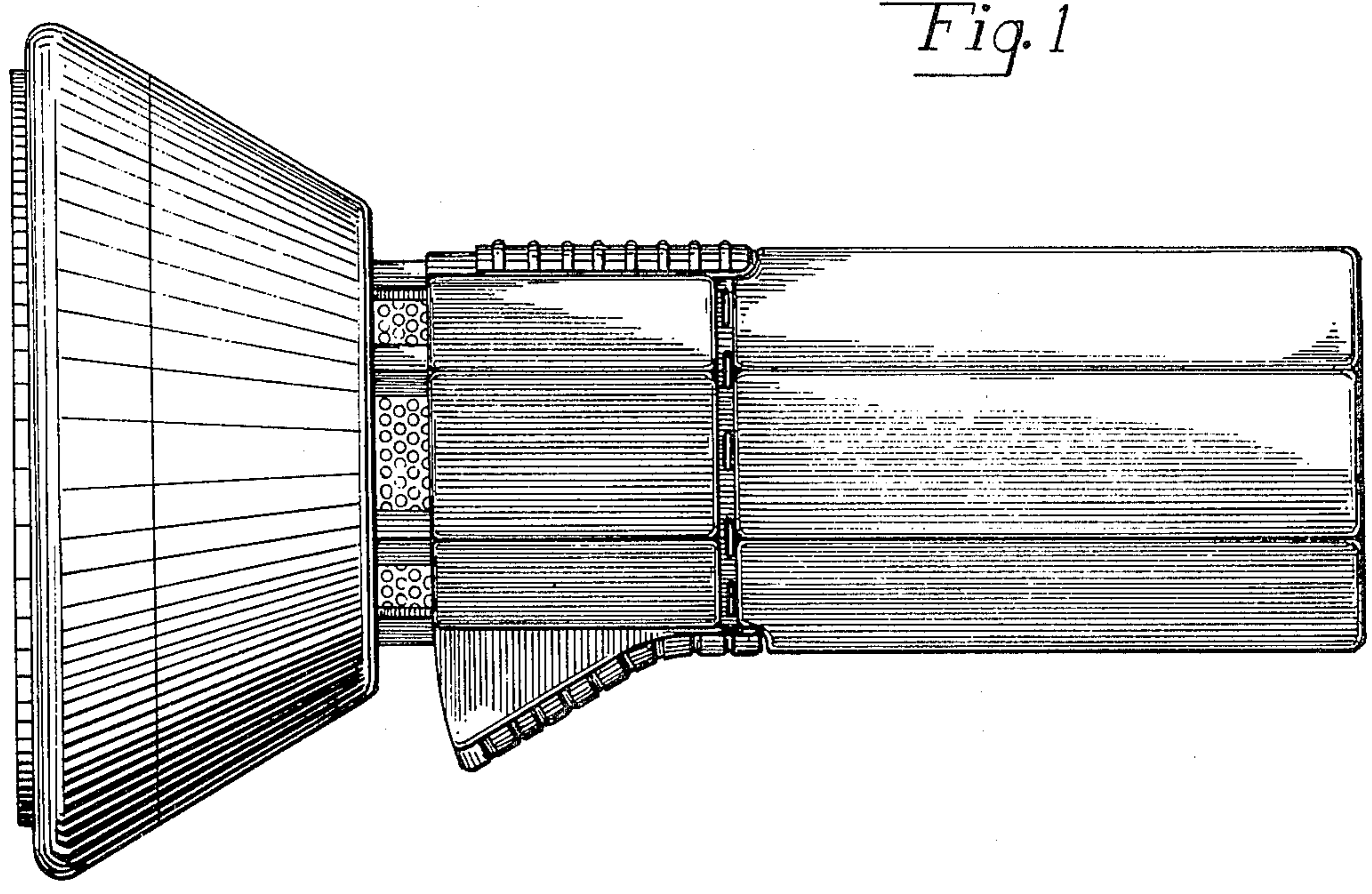


Fig. 1



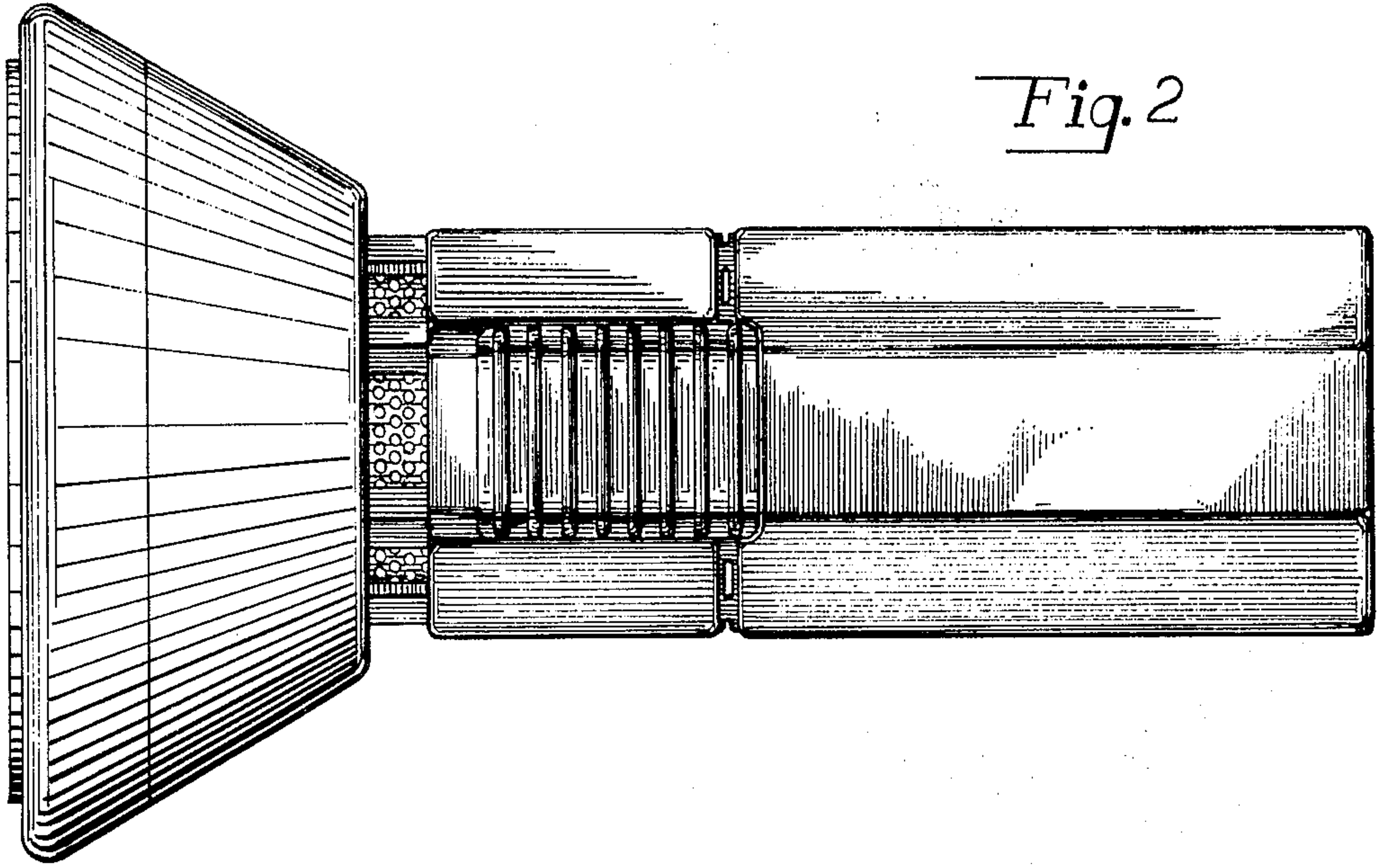


Fig. 2

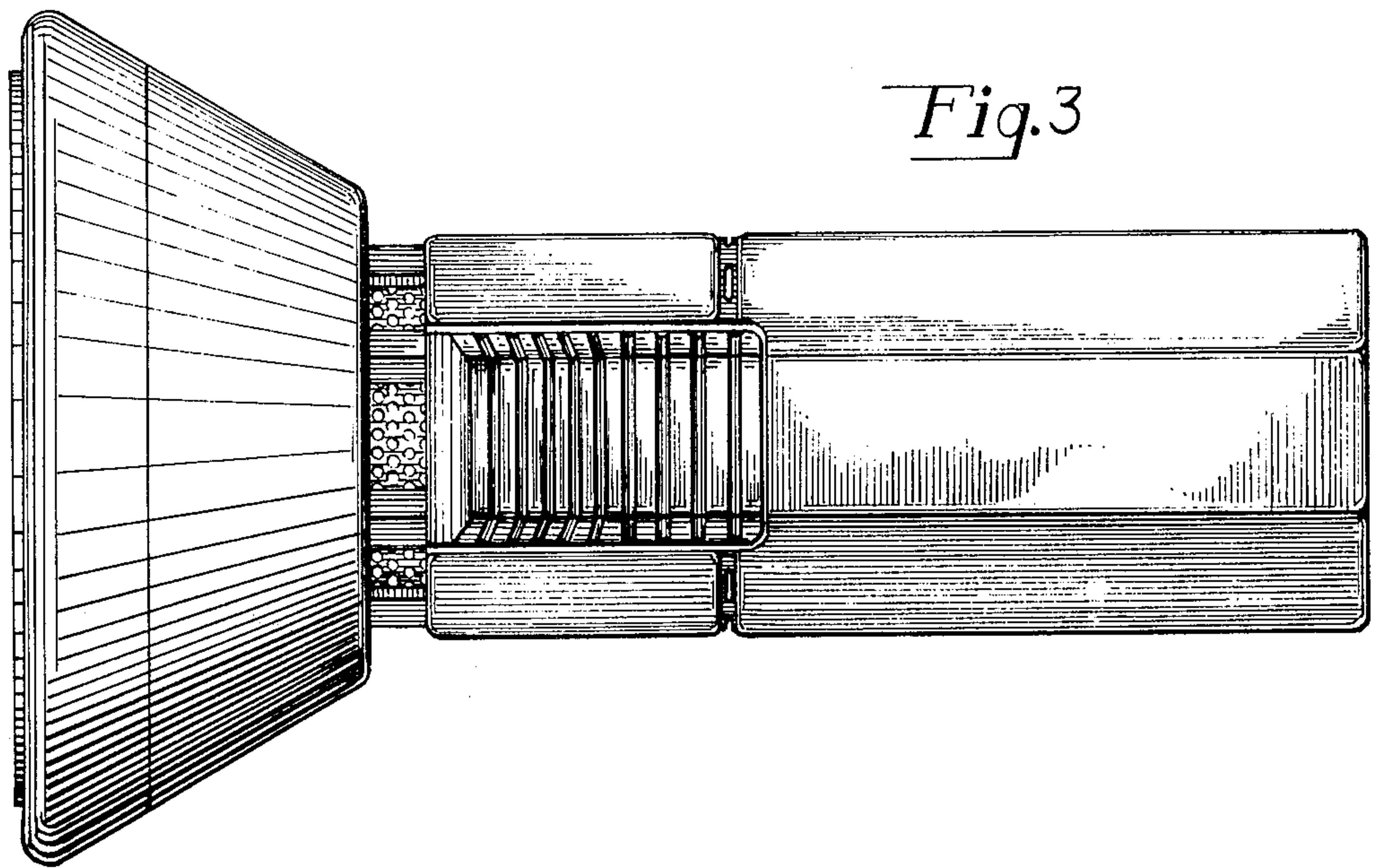


Fig. 3

Fig. 4

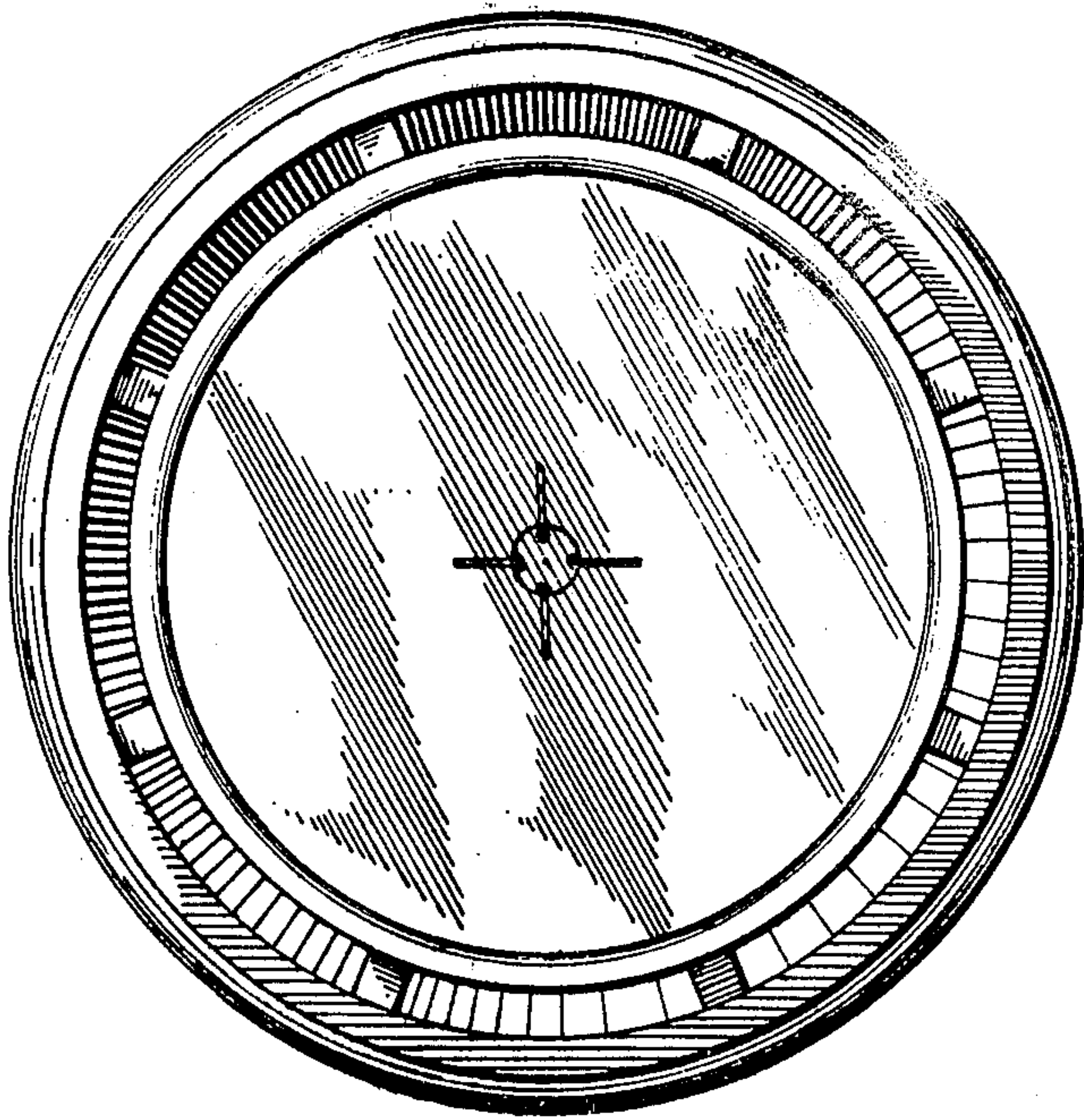


Fig. 5

