

United States Patent [19]

Ruda et al.

[11] Patent Number: **Des. 275,798**

[45] Date of Patent: **** Oct. 2, 1984**

[54] **BOAT LADDER**

[75] Inventors: **Jerome Ruda, Syracuse; Vernon L. Ludwig, Rome City, both of Ind.**

[73] Assignee: **Harris Manufacturing Corporation, Fort Wayne, Ind.**

[**] Term: **14 Years**

[21] Appl. No.: **421,353**

[22] Filed: **Sep. 22, 1982**

[52] U.S. Cl. **D25/64**

[58] Field of Search **182/206, 93, 228, 91; D25/62, 64, 63**

[56] **References Cited**

U.S. PATENT DOCUMENTS

D. 179,748 2/1957 Tunstead D25/64

2,638,260 5/1953 Skolmen et al. 182/228 X
3,498,410 3/1970 Storch 182/206 X
3,804,200 4/1974 Sandberg 182/91

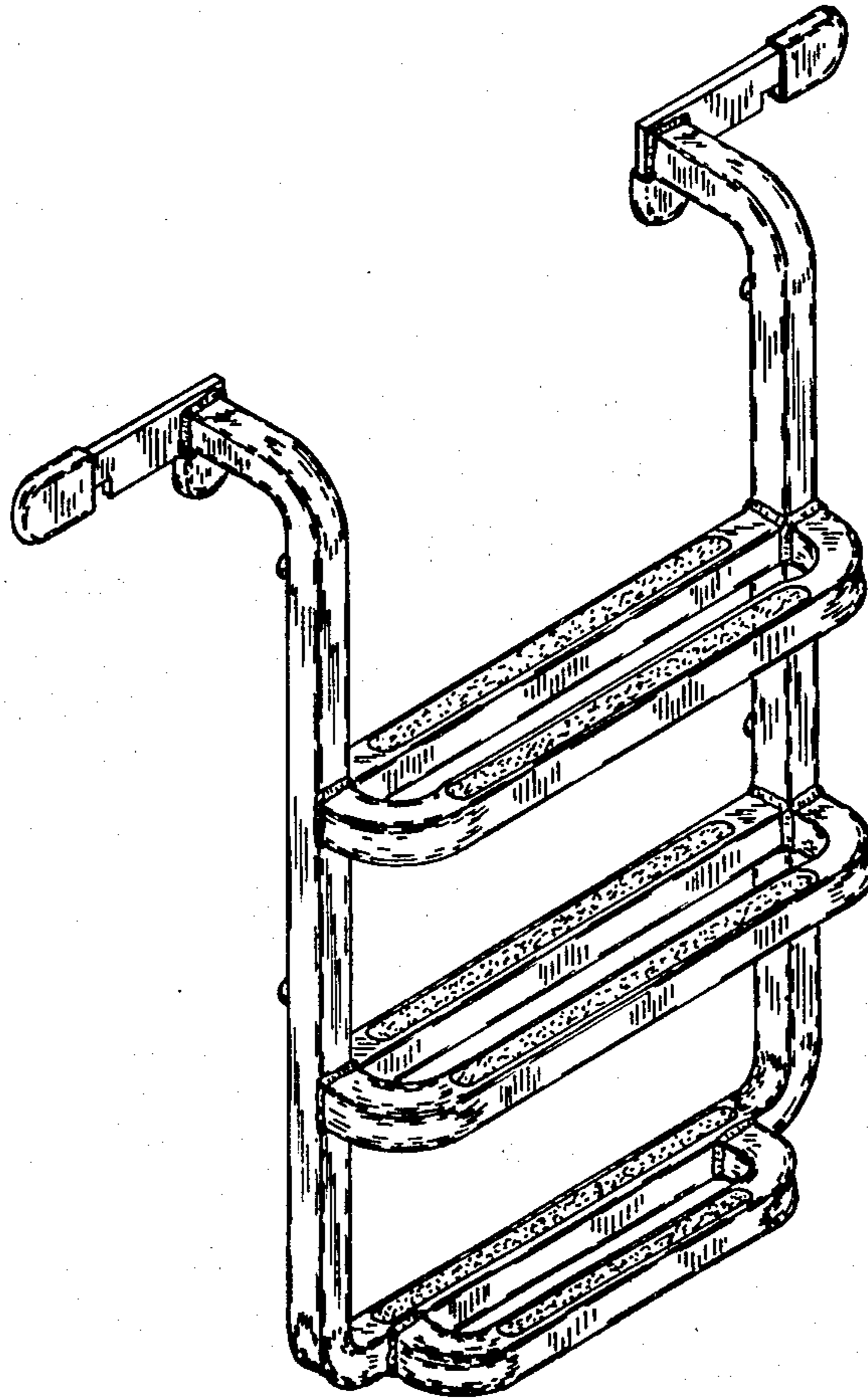
Primary Examiner—A. Hugo Word
Attorney, Agent, or Firm—George A. Gust

[57] **CLAIM**

The ornamental design for a boat ladder, as shown and described.

DESCRIPTION

FIG. 1 is a perspective view of the boat ladder design of this invention;
FIG. 2 is a front view;
FIG. 3 is a side view, the opposite side view being the same but reversed;
FIG. 4 is a rear view;
FIG. 5 is a top view; and
FIG. 6 is a bottom view.



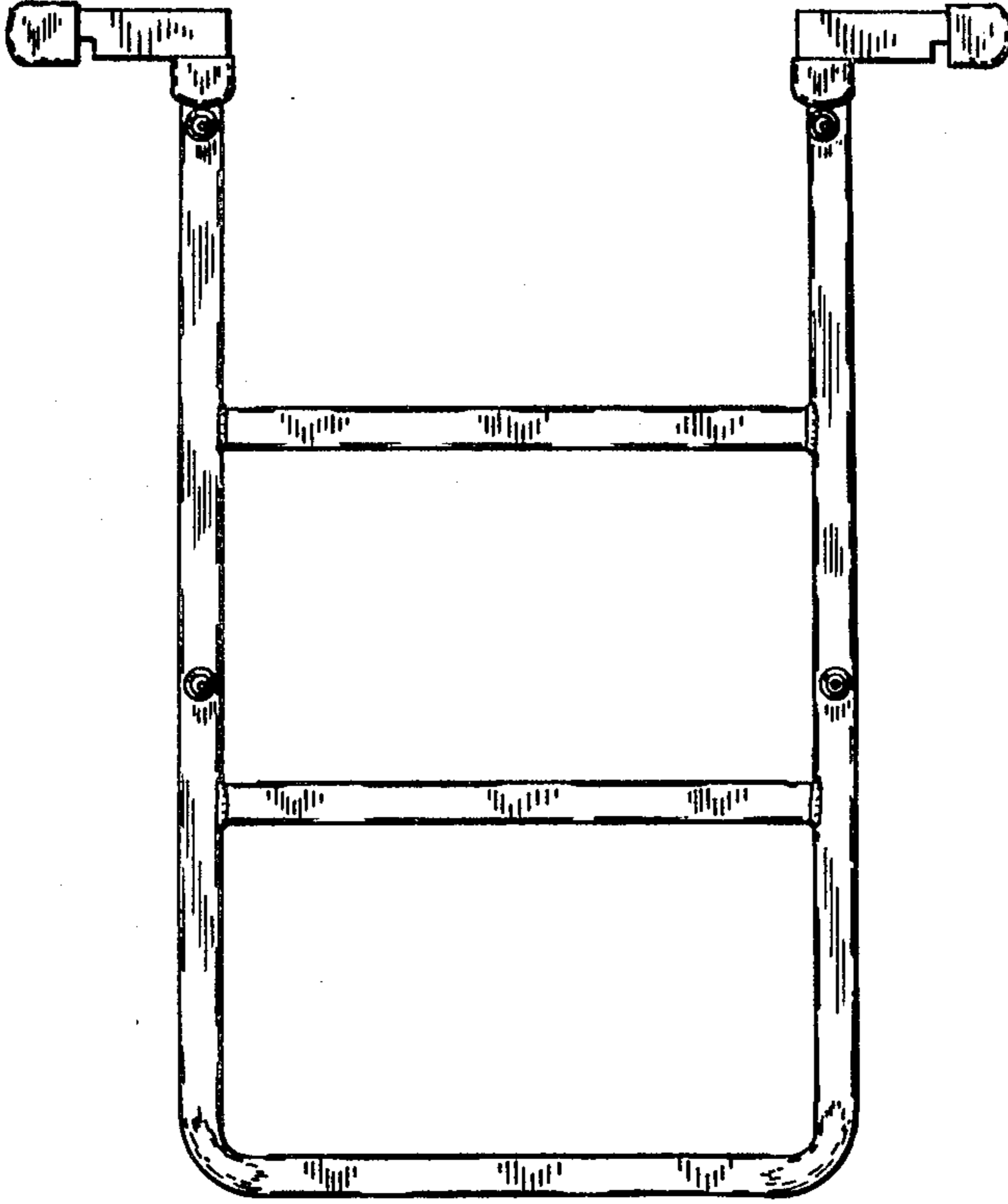


FIG. 4



FIG. 5

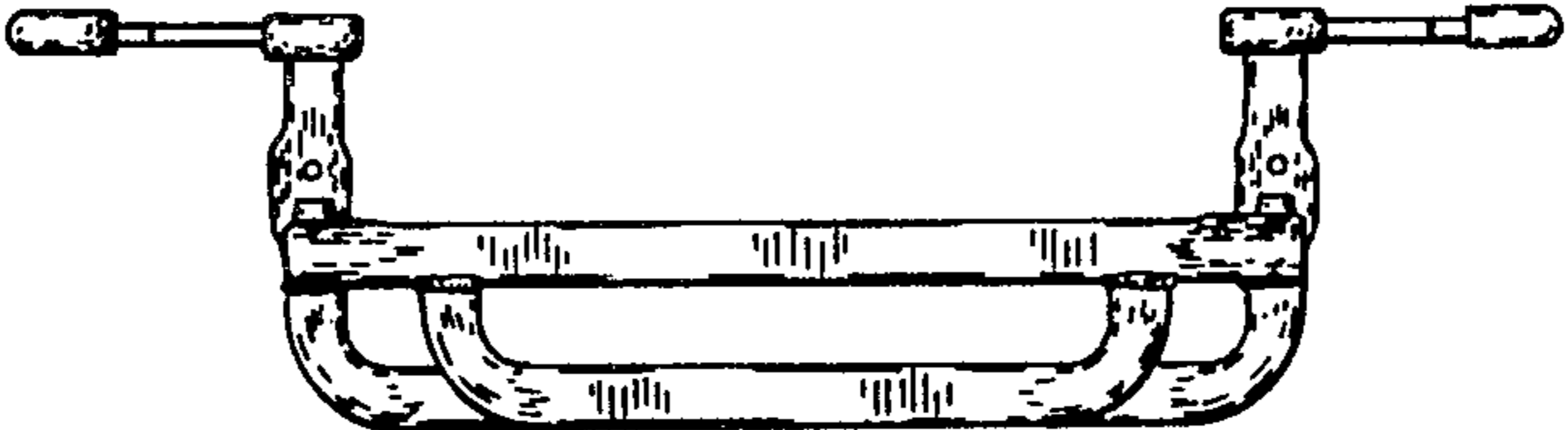


FIG. 6

[54] MINIATURE BATTERY-OPERATED LIGHT

3,748,457 7/1973 Balitzky et al. 362/158

[76] Inventor: John S. Doyel, 404 W. 20th St., New York, N.Y. 10016

Primary Examiner—Susan J. Lucas

[**] Term: 14 Years

[57] CLAIM

[21] Appl. No.: 341,204

The ornamental design for a miniature battery-operated light, as shown and described.

[22] Filed: Jan. 21, 1982

DESCRIPTION

[52] U.S. Cl. D26/40; D26/49

FIG. 1 is a perspective view of a miniature battery-operated light embodying my new design.

[58] Field of Search D26/37-50,

FIG. 2 is a front elevational view thereof.

D26/24; D10/114; 362/157, 158, 183, 184, 186-191, 194-208; 340/321

FIG. 3 is a side elevational view thereof, the opposite side being a mirror image thereof.

[56] References Cited

FIG. 4 is a top plan view thereof.

U.S. PATENT DOCUMENTS

FIG. 5 is a bottom plan view thereof.

D. 100,074 6/1936 Graubner D26/40

FIG. 6 is a front elevational view of a second embodiment of my new design, the bottom housing being identical to that of the first embodiment.

1,327,017 1/1920 Boltshauser D26/37 X

FIG. 7 is a top plan view thereof.

2,753,442 7/1956 Wiswell 362/186

2,987,702 6/1961 Yohe D10/114 X

