

[54] **AUTOMATED TICKET GATE**

[75] Inventor: **Yoshiaki Nishida, Omorinishi, Japan**

[73] Assignee: **Tokyo Shibaura Denki Kabushiki Kaisha, Japan**

[**] Term: **14 Years**

[21] Appl. No.: **427,724**

[22] Filed: **Sep. 29, 1982**

[30] **Foreign Application Priority Data**

May 7, 1982 [JP] Japan 57-19452
[52] U.S. Cl. D25/50; D25/51
[58] Field of Search 49/324, 46; 101/66,
101/19, 93; D20/2; D25/51, 50

[56] **References Cited**

U.S. PATENT DOCUMENTS

D. 212,289 9/1968 Ensign D25/51
D. 261,433 10/1981 Sugano D25/50
D. 261,434 10/1981 Sugano D25/50

Primary Examiner—A. Hugo Word
Attorney, Agent, or Firm—Finnegan, Henderson,
Farabow, Garrett & Dunner

[57] **CLAIM**

The ornamental design for an automatic ticket gate, substantially as shown.

DESCRIPTION

FIG. 1 is a perspective view of an automatic ticket gate showing my new design;
FIG. 2 is a front elevational view thereof;
FIG. 3 is a right side elevational view thereof;
FIG. 4 is a left side elevational view thereof;
FIG. 5 is a top plan view thereof; and
FIG. 6 is a bottom plan view thereof.

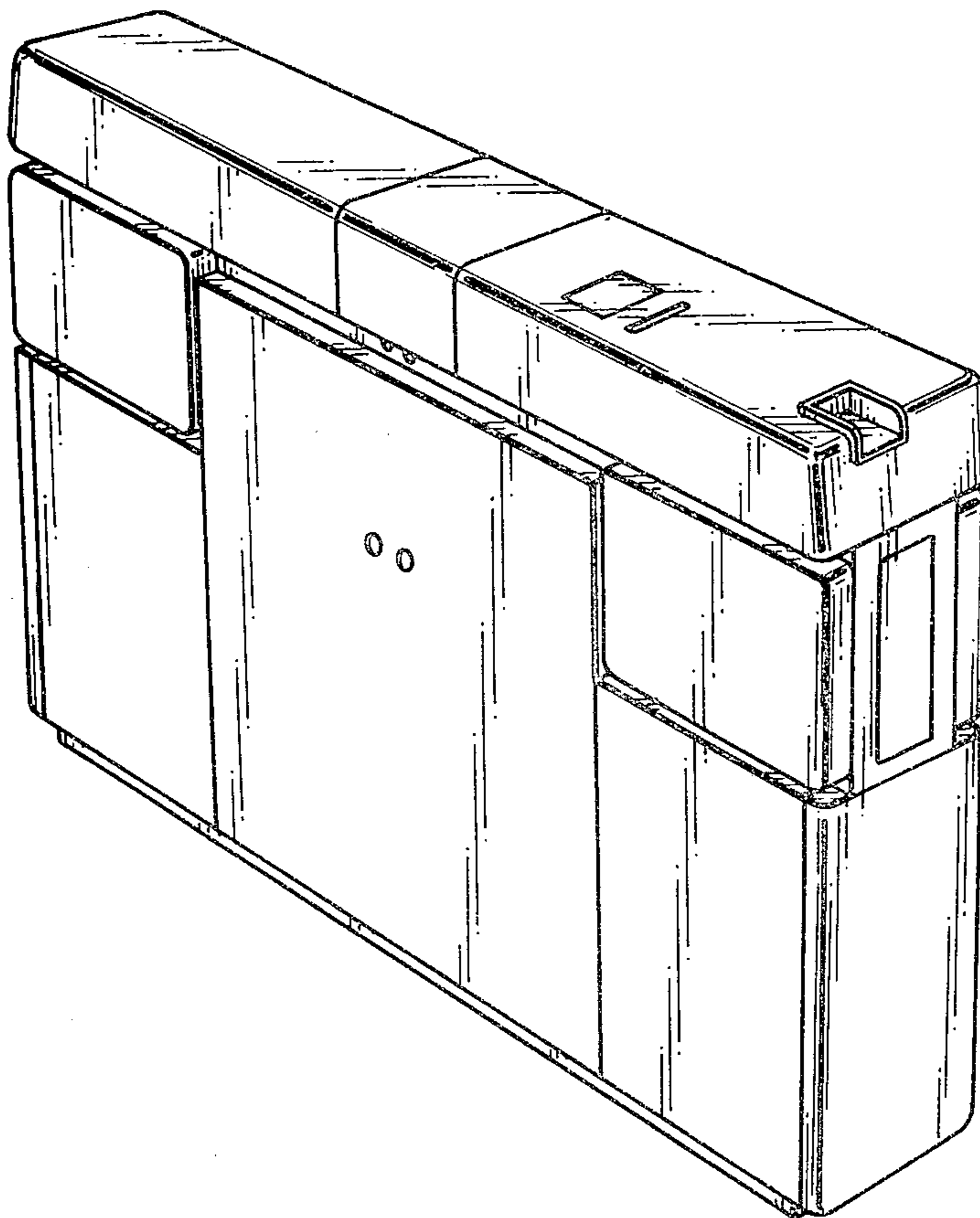


FIG. 1

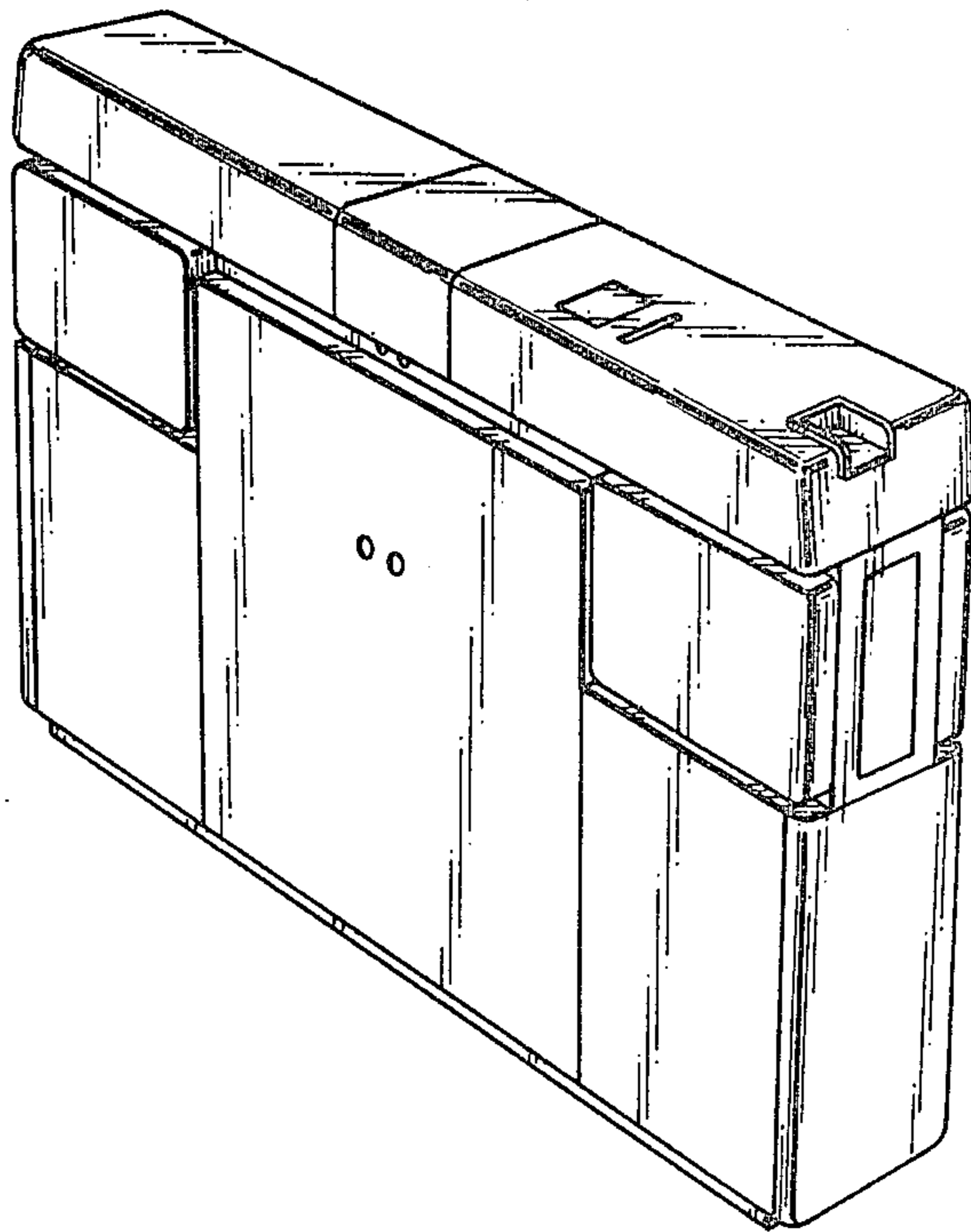


FIG. 2

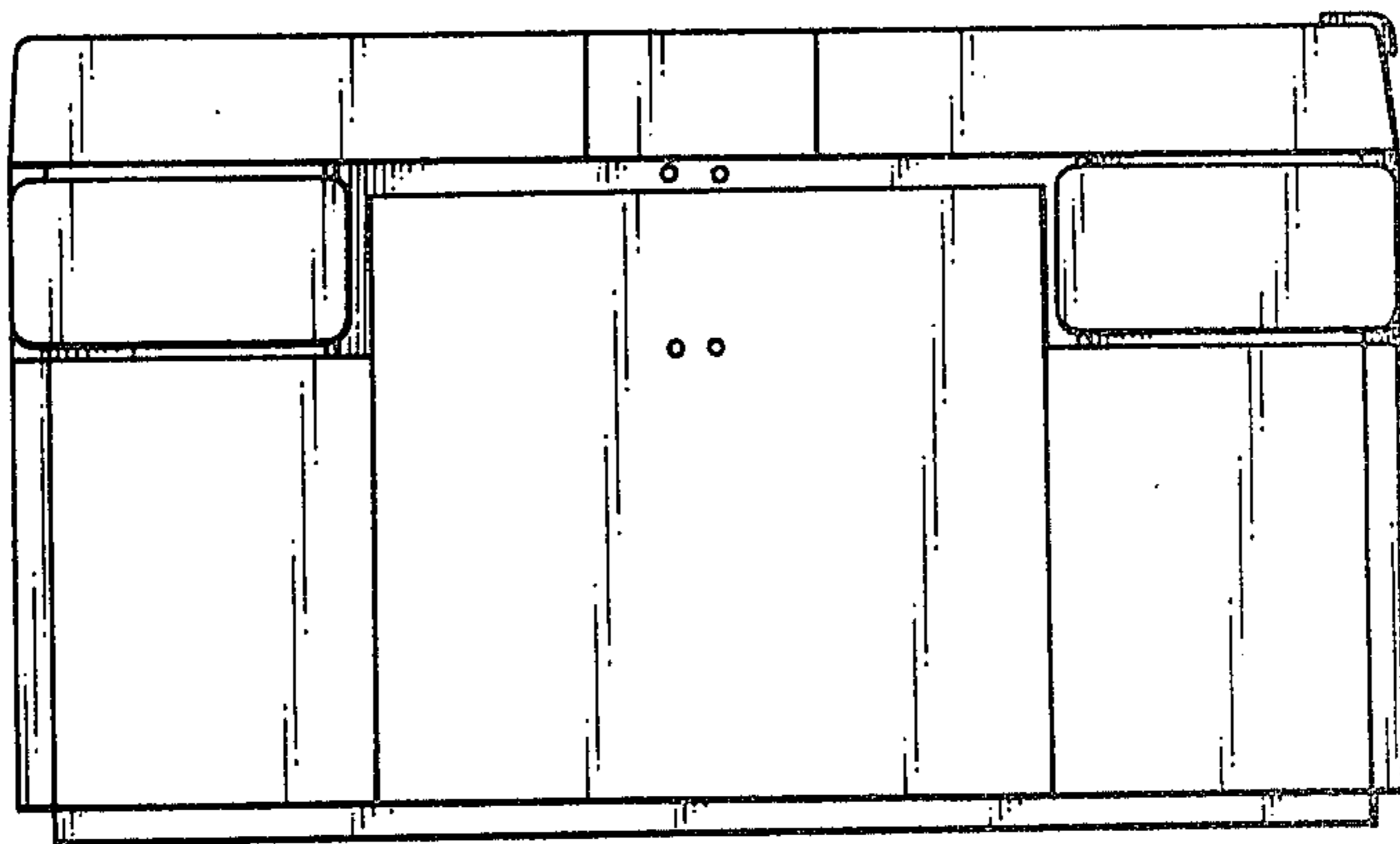


FIG. 3

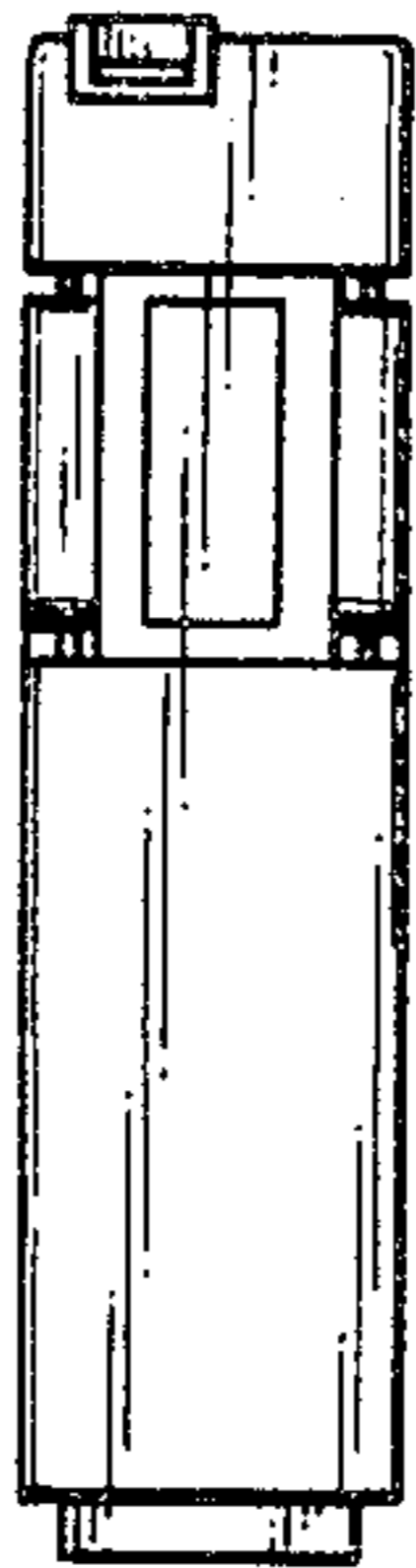


FIG. 4

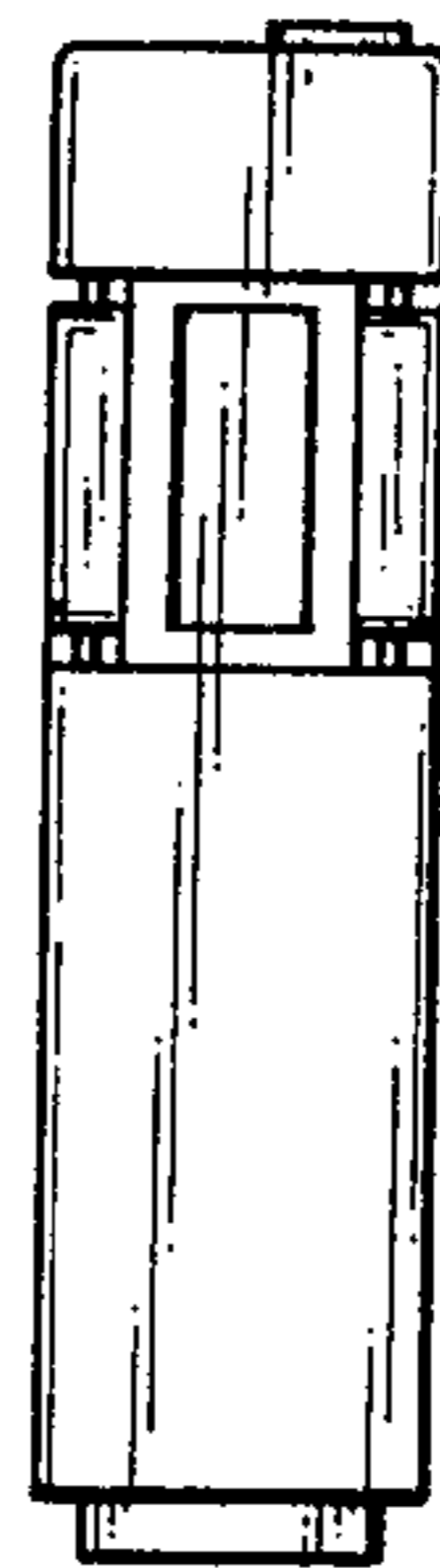


FIG. 5

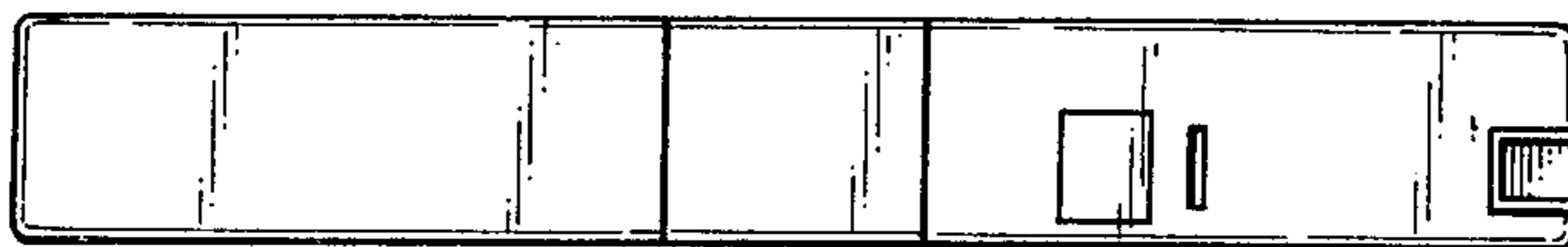


FIG. 6

