

[54] **DISPOSABLE SURGICAL CLAMP**

[76] **Inventor:** **John B. Marlowe**, 85 Meadow Woods Rd., Great Neck, N.Y. 11020

[**] **Term:** **14 Years**

[21] **Appl. No.:** **451,459**

[22] **Filed:** **Dec. 22, 1982**

[52] **U.S. Cl.** **D24/27; D24/26; D8/57; 128/322**

[58] **Field of Search** **128/321, 322, 325; 81/418; D8/57; D24/26, 27**

[56] **References Cited**

U.S. PATENT DOCUMENTS

D. 254,090	1/1980	Perry	D24/27
D. 269,207	5/1983	Marlowe	D24/27
3,273,933	9/1966	Jochim	81/418 X
3,503,396	3/1970	Pierie et al.	128/322
3,515,139	6/1970	Mallina	128/322
3,654,930	4/1972	Hobbs	128/325
3,735,763	5/1973	Shannon et al.	128/322
4,226,240	10/1980	Walker, Jr.	128/321
4,226,241	10/1980	Walker, Jr.	128/321

Primary Examiner—Bernard Ansher

[57] **CLAIM**

The ornamental design for a disposable surgical clamp, as shown and described.

DESCRIPTION

FIG. 1 is a top plan view of a disposable surgical clamp showing my new design;

FIG. 2 is a bottom plan view thereof;

FIG. 3 is a fragmentary perspective view of the graspable lower portion of the clamp;

FIG. 4 is an enlarged fragmentary exploded elevation of the graspable members, shown separately for clarity of illustration;

FIG. 5 is an enlarged fragmentary cross-section taken on line 5—5 of FIG. 1;

FIG. 6 is a side elevation of the clamp;

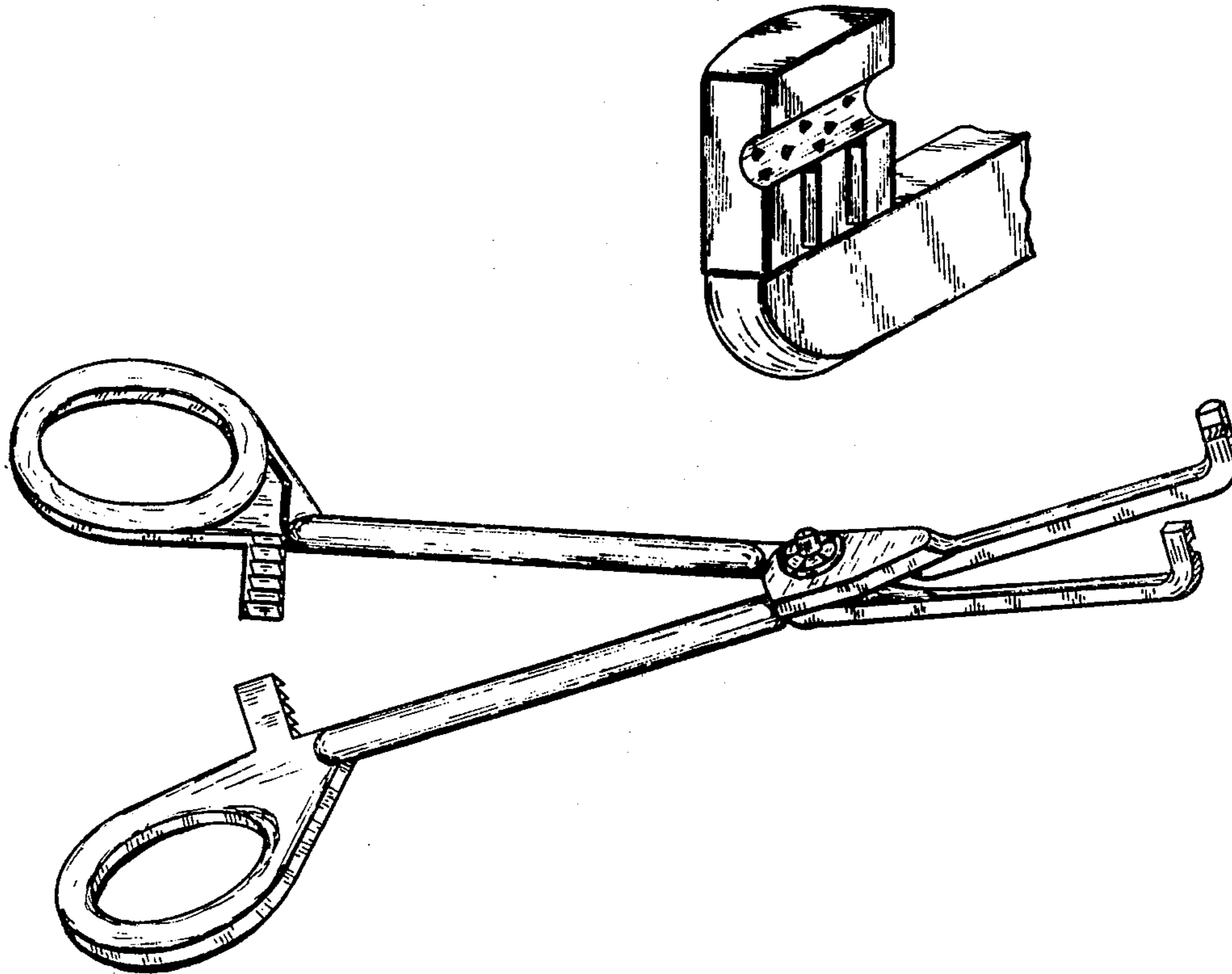
FIG. 7 is a rear end elevation of the clamp with the handles and with the interengaging ratchet teeth in an open condition;

FIG. 8 is a front end elevation at an enlarged scale;

FIG. 9 is a fragmentary perspective view of one side of the graspable members, shown separately for clarity of illustration;

FIG. 10 is a top perspective view of the disposable clamp; and

FIG. 11 is an enlarged perspective fragmentary view of the upper portion of the channeled graspable member illustrated in FIG. 9, shown separately for clarity of illustration.



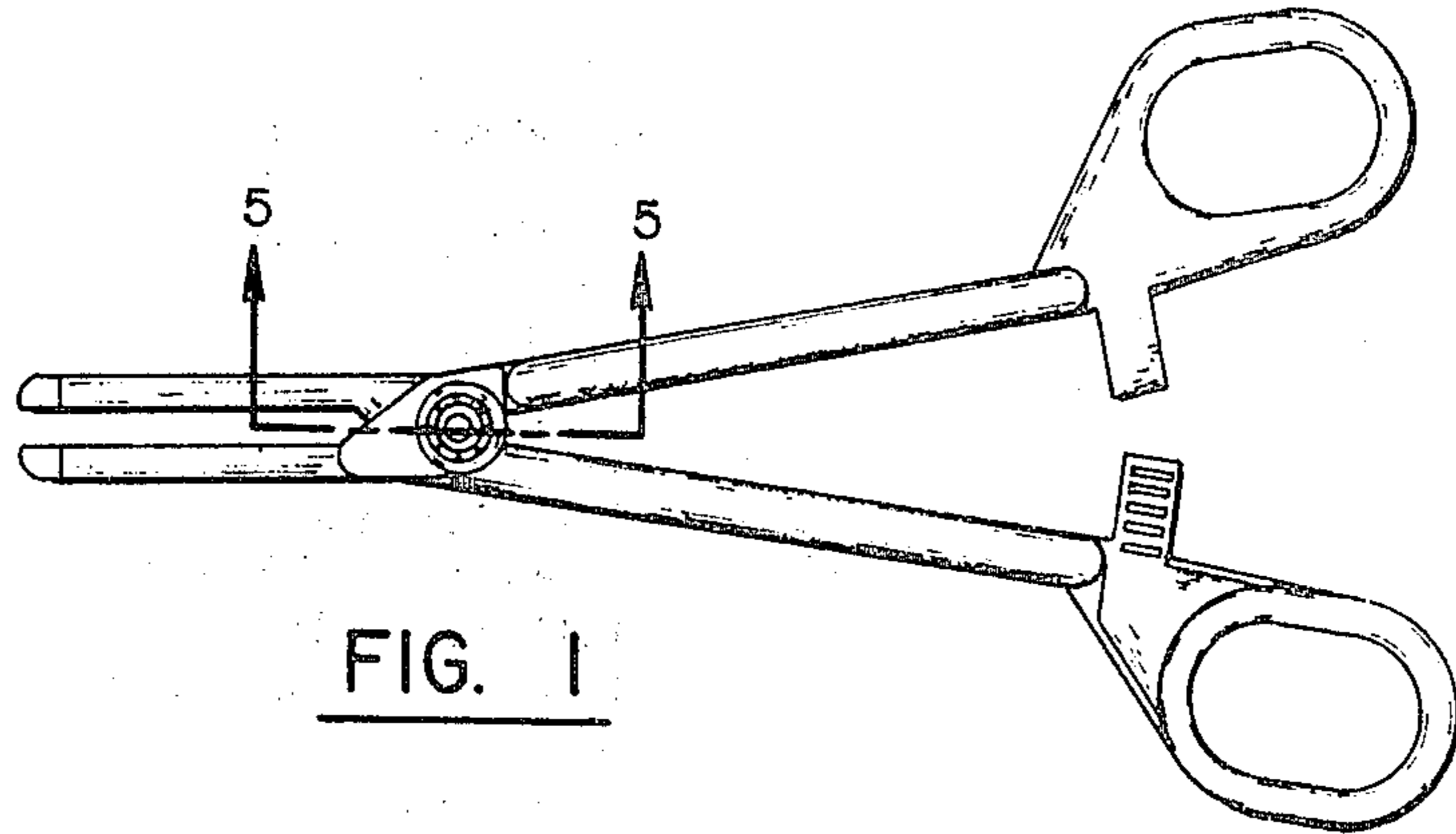


FIG. 1

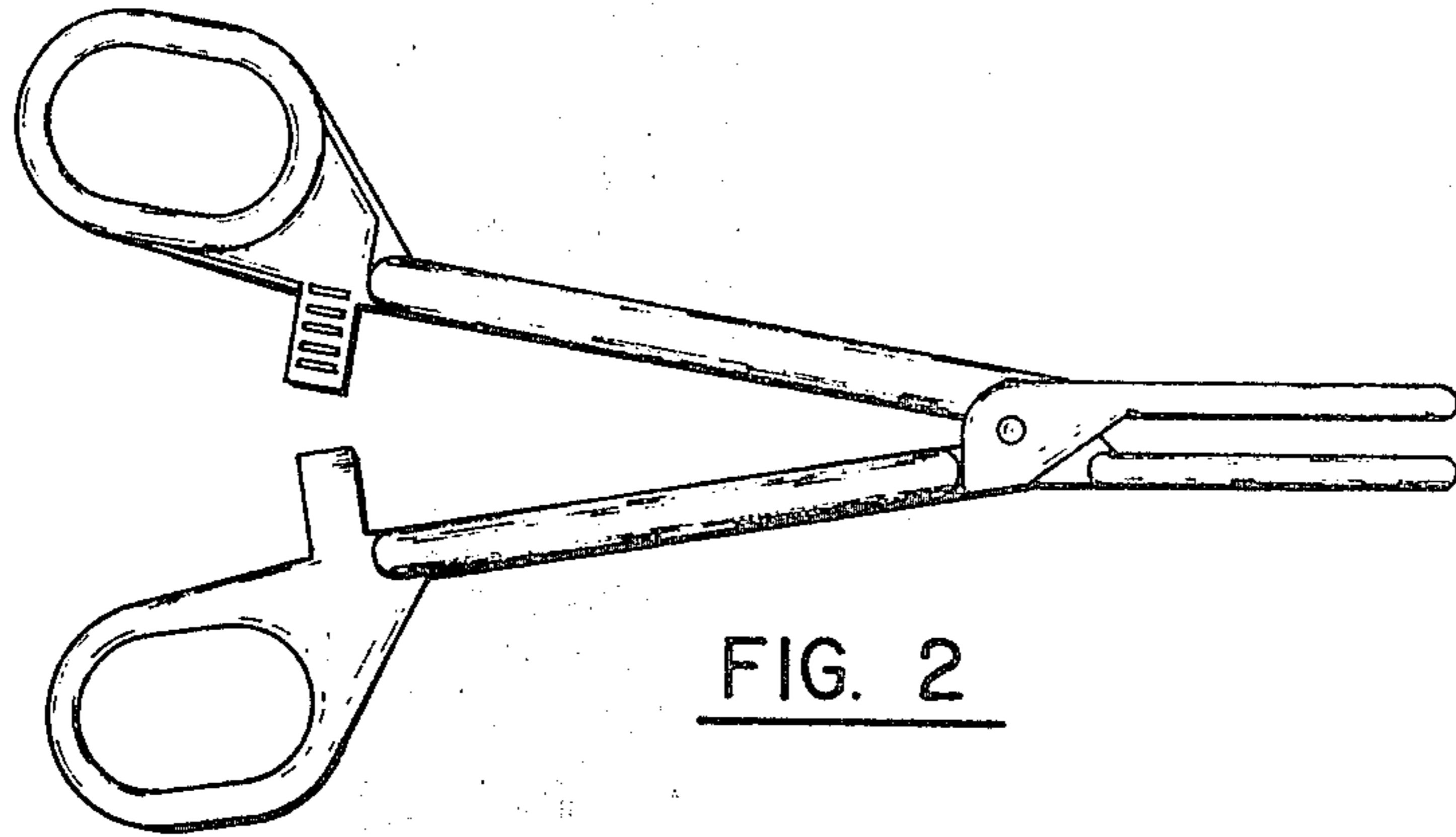
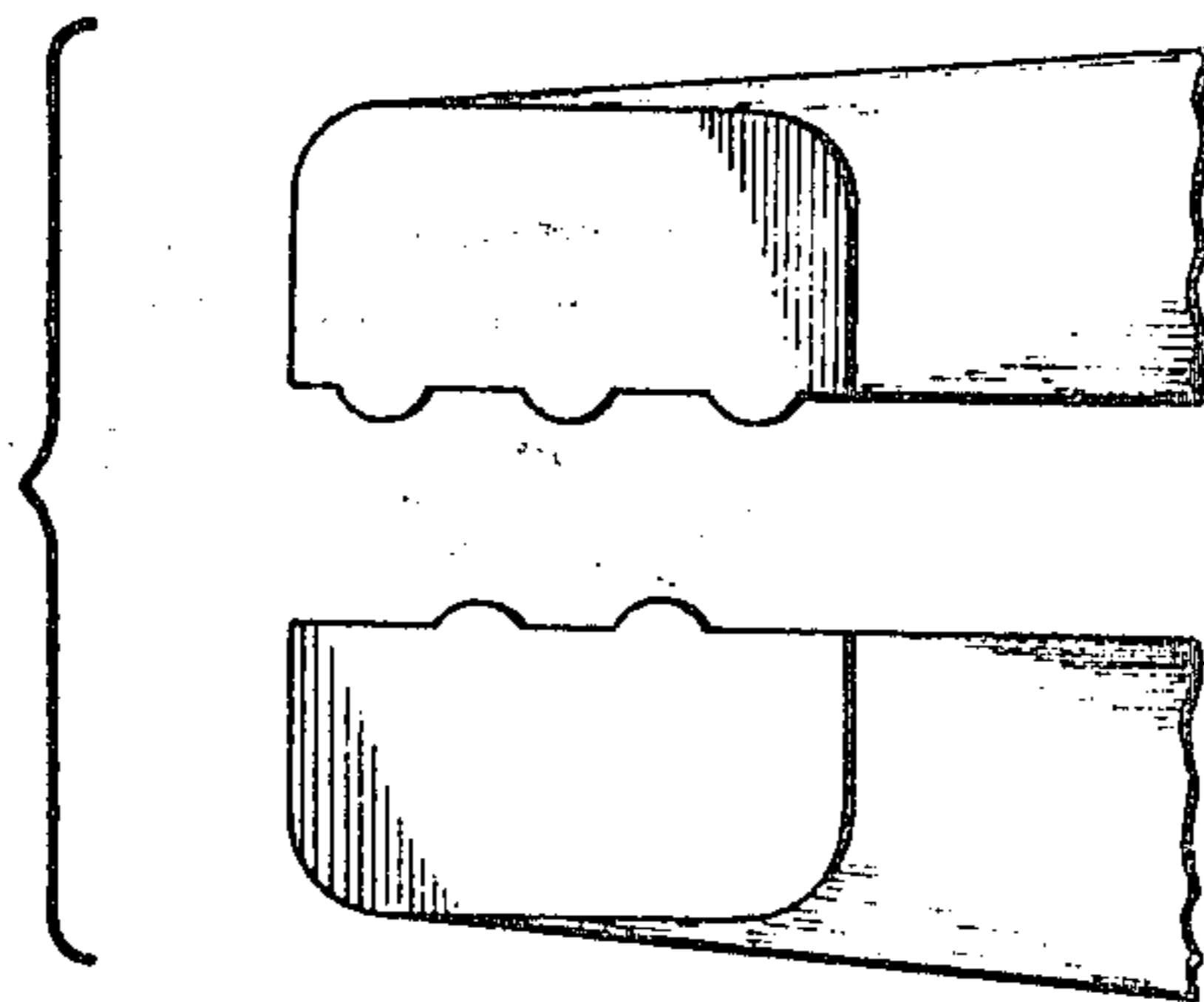


FIG. 2

FIG. 4



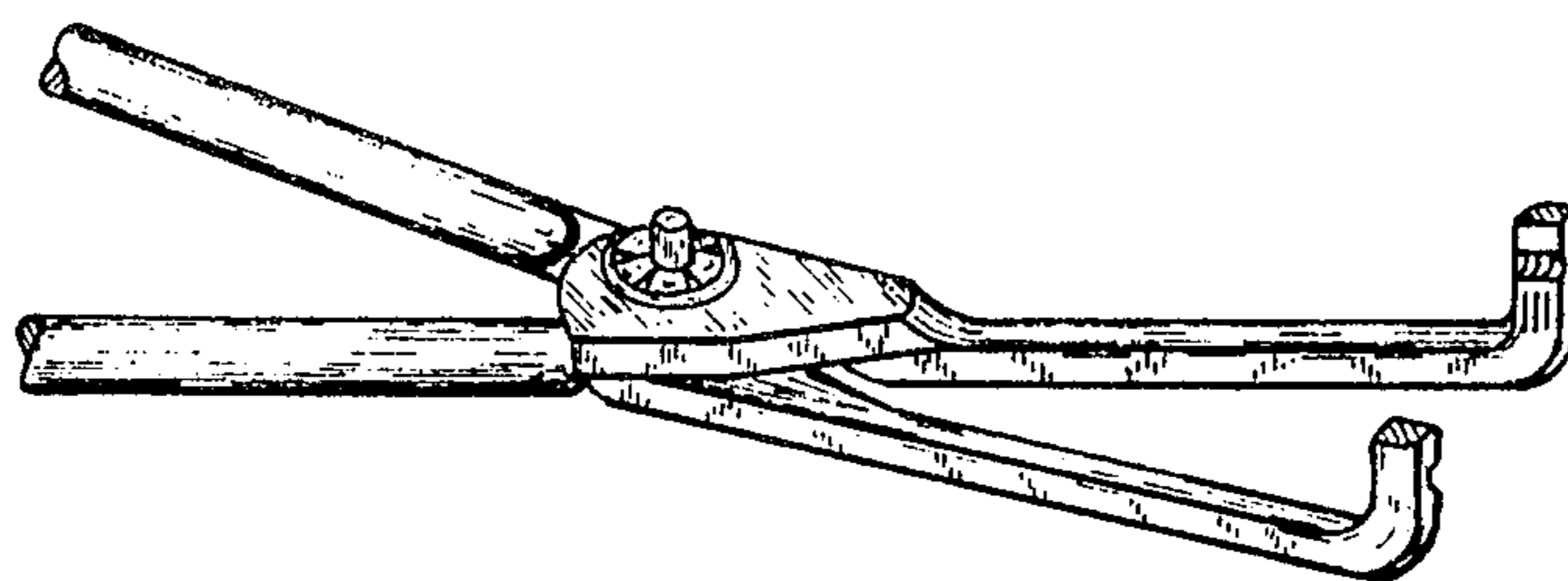


FIG. 3

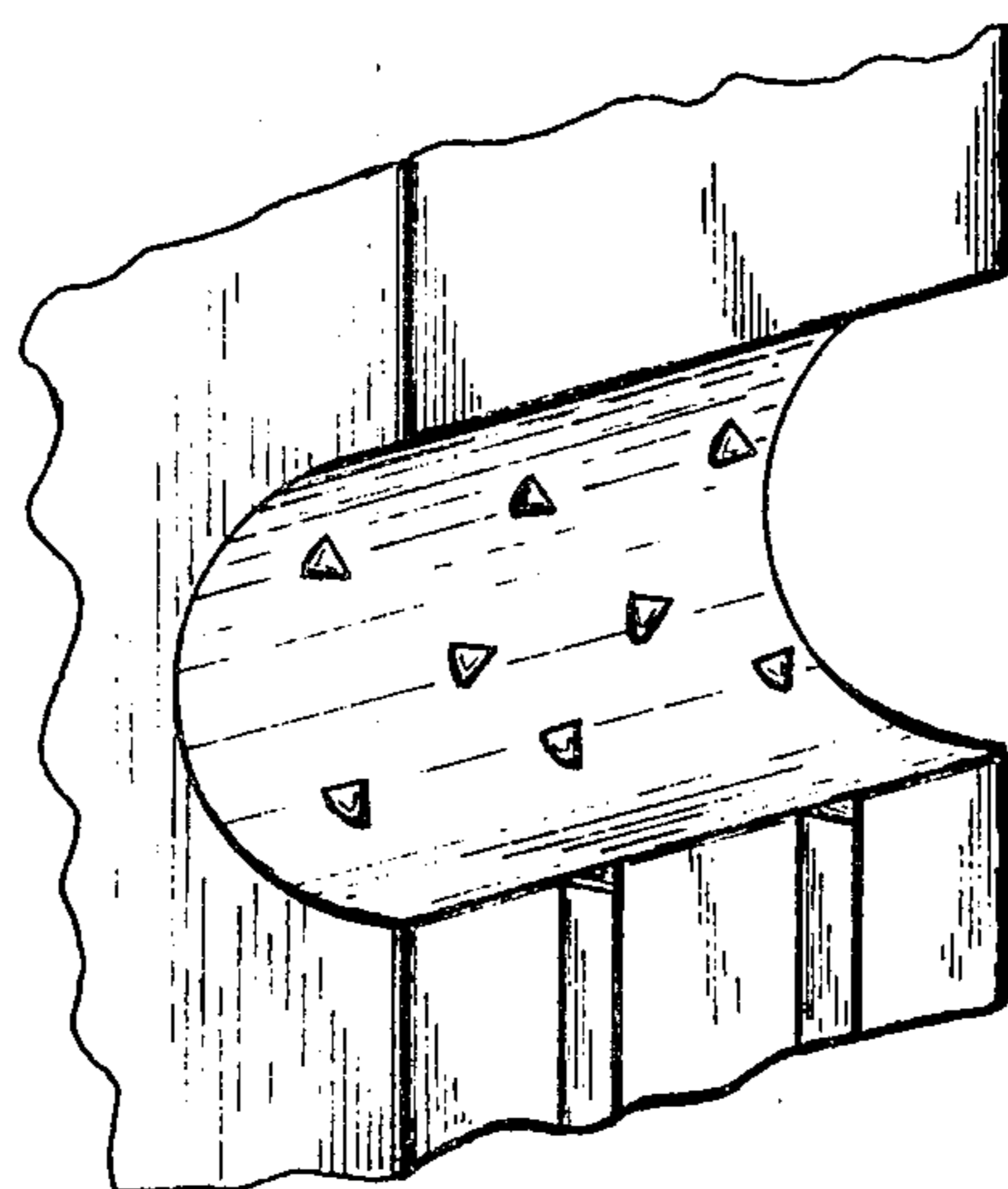


FIG. II

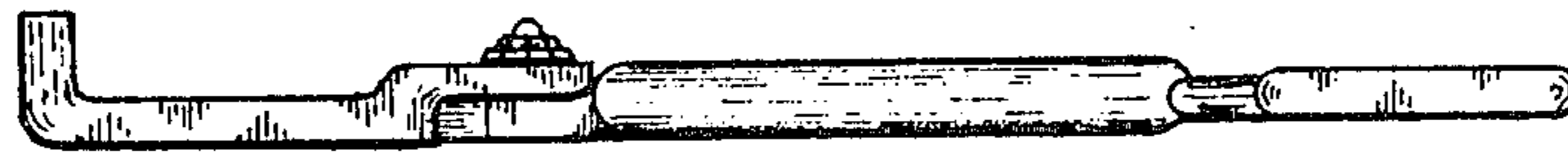
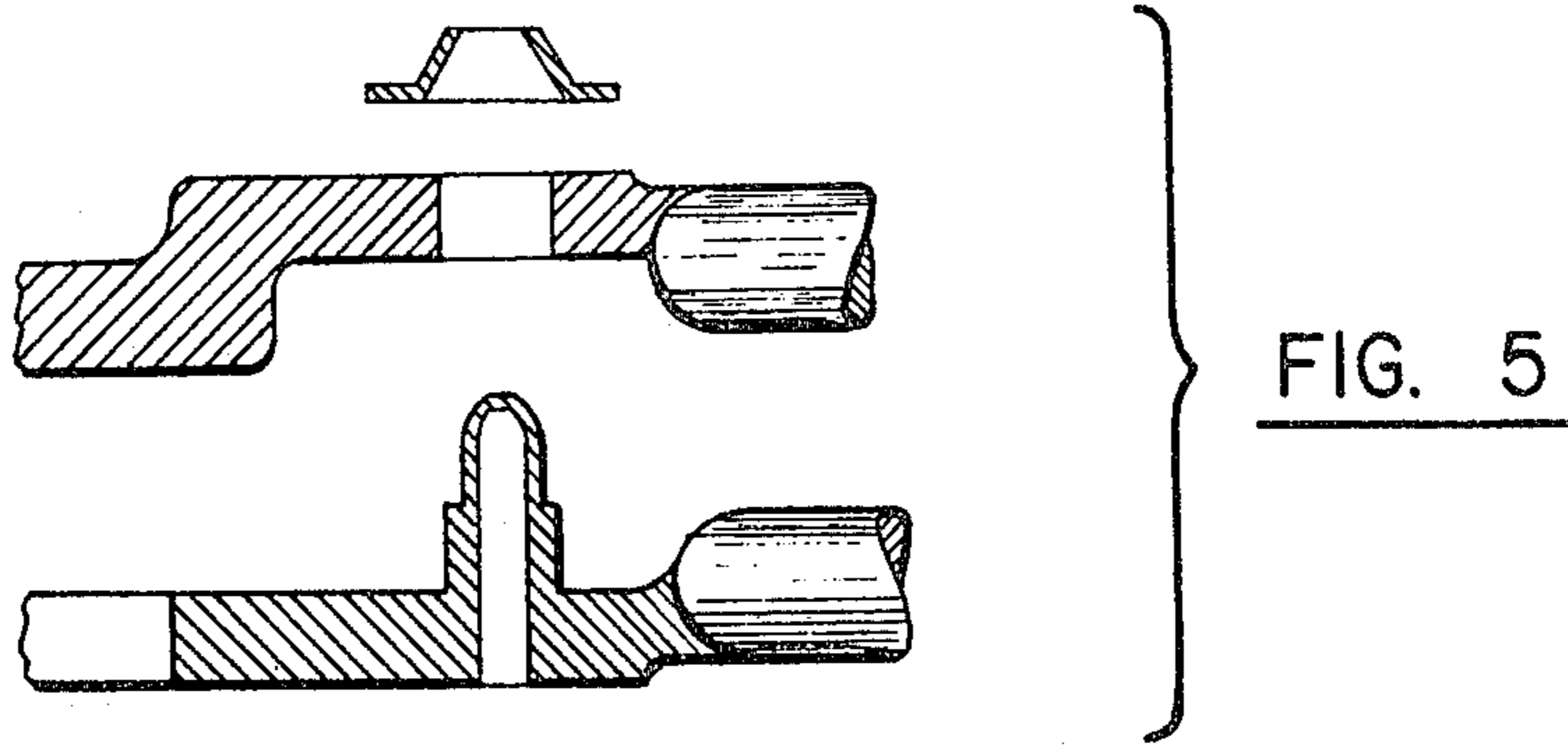


FIG. 6

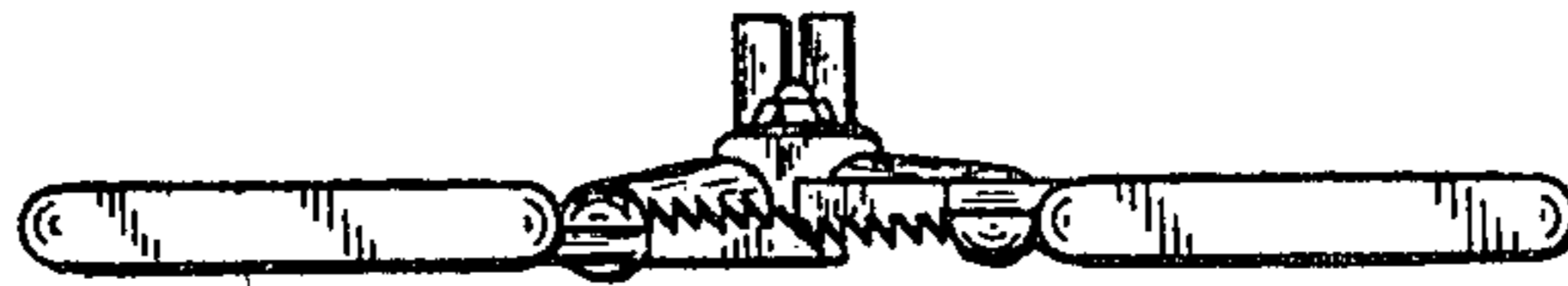


FIG. 7

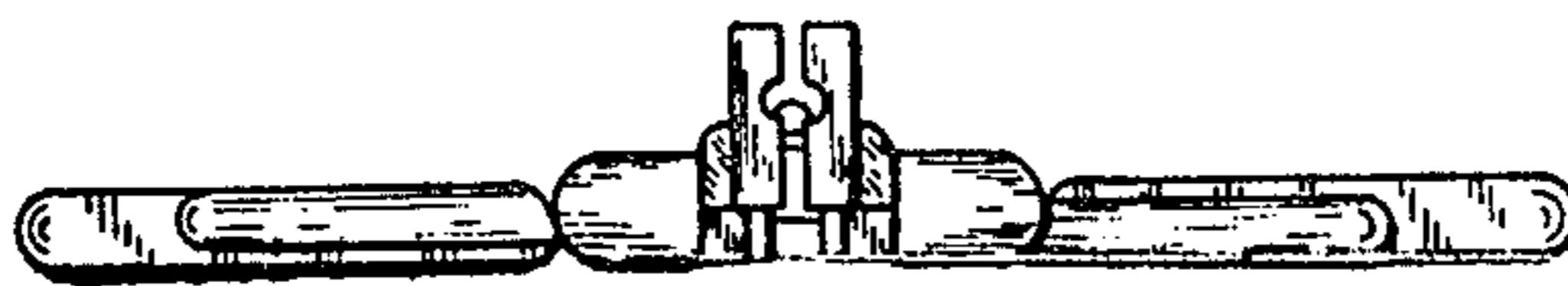


FIG. 8

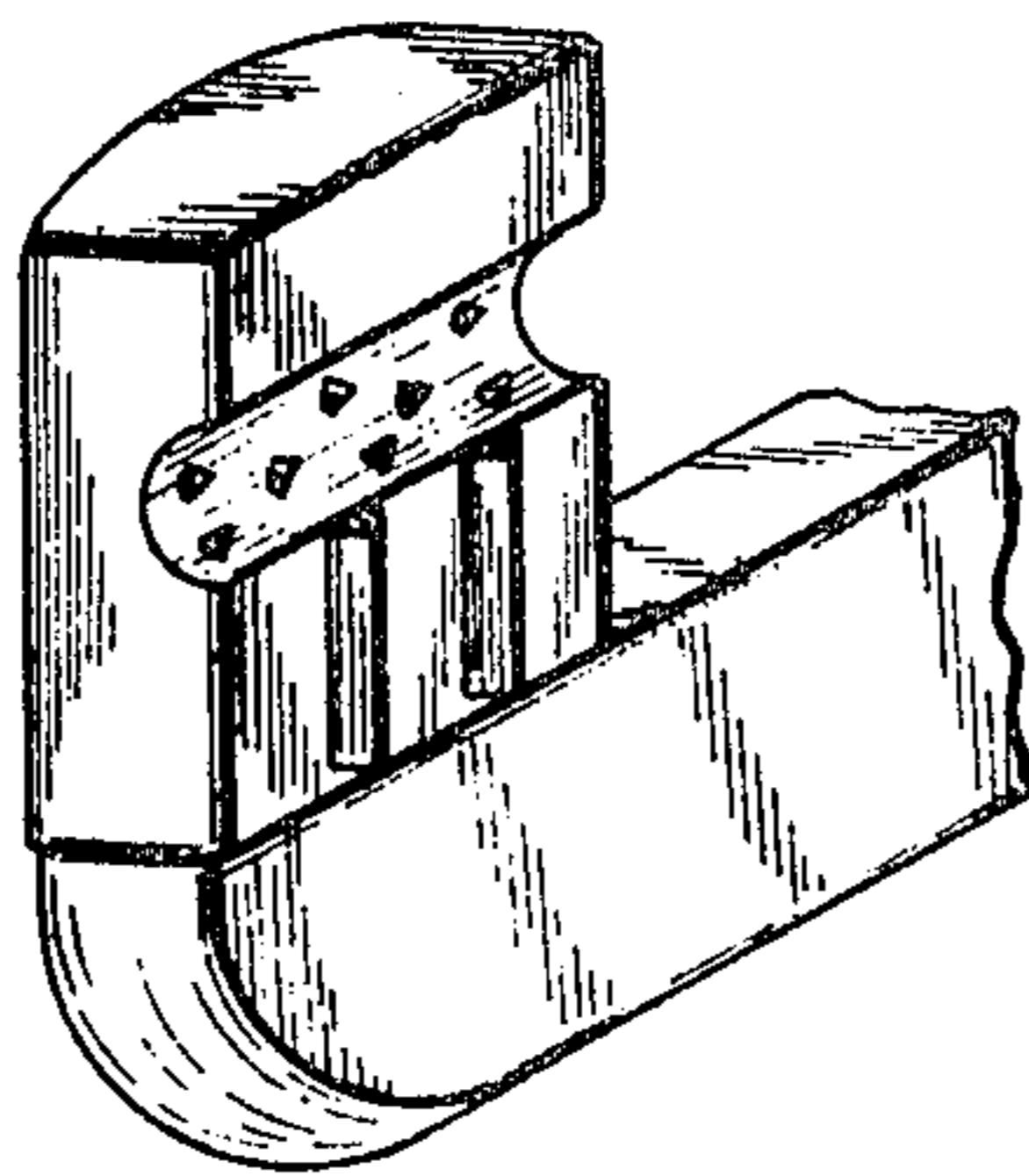


FIG. 9

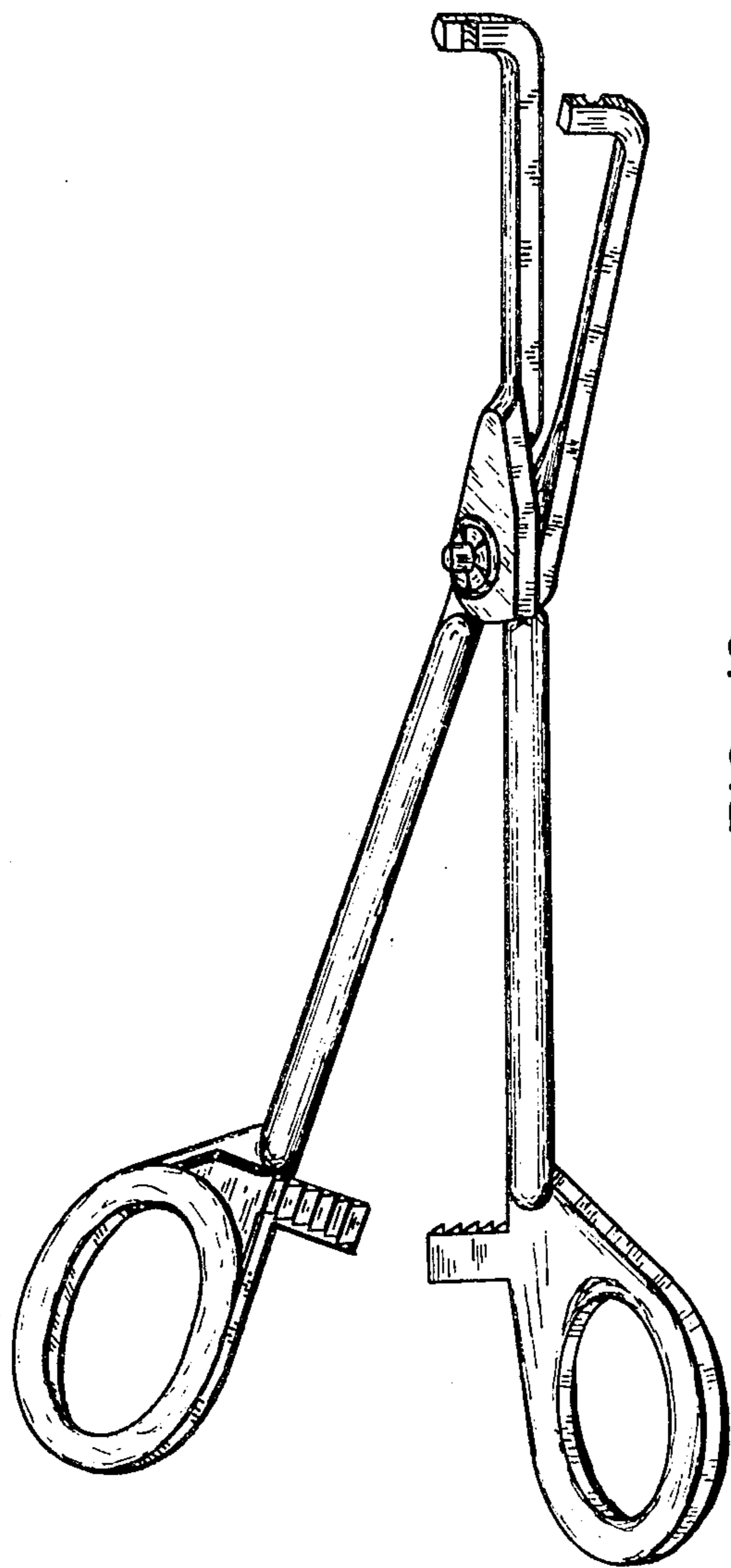


FIG. 10