

- [54] DIAGNOSTIC TEST DEVICE
- [75] Inventors: Morris L. Givner, Pierrefonds, Canada; Douglas Tiffany, Beverly, Mass.
- [73] Assignee: American Home Products, Corp., New York, N.Y.
- [**] Term: 14 Years
- [21] Appl. No.: 208,444
- [22] Filed: Nov. 19, 1980

3,579,306	5/1971	Crane	422/61
3,817,379	6/1974	Zipilivan et al.	424/12
3,873,682	3/1975	Ogawa	424/12
4,033,723	7/1977	Givner et al.	422/68

Primary Examiner—Bernard Ansher
 Attorney, Agent, or Firm—Adley F. Mandel

[57] CLAIM

The ornamental design for a diagnostic test device, as shown and described.

DESCRIPTION

FIG. 1 is a perspective view of a diagnostic device embodying our new design;
 FIG. 2 is a front view of the device;
 FIG. 3 is a side view;
 FIG. 4 is a rear view;
 FIG. 5 is another front view showing where cross-sections are taken;
 FIG. 6 is a top plan view taken generally along lines 6—6 of FIG. 5;
 FIG. 7 is a top sectional view taken generally along lines 7—7 of FIG. 5;
 FIG. 8 is a bottom plan view taken generally along lines 8—8 of FIG. 5;
 FIG. 9 is a fragmentary perspective view taken generally along lines 9—9 of FIG. 5.
 The broken lines are for illustrative purposes only.

Related U.S. Application Data

- [62] Division of Ser. No. 933,389, Aug. 14, 1978, Pat. No. Des. 259,254.
- [52] U.S. Cl. D24/17; D24/8; D10/81
- [58] Field of Search D24/8, 17, 56; D10/81; 206/45.19, 45.34; 424/12, 61, 68; 210/662, 284, 317

References Cited

U.S. PATENT DOCUMENTS

D. 241,173	8/1976	Corneille	D24/17
D. 241,174	8/1976	Corneille	D24/17
D. 243,705	3/1977	Lyman	D24/56 X

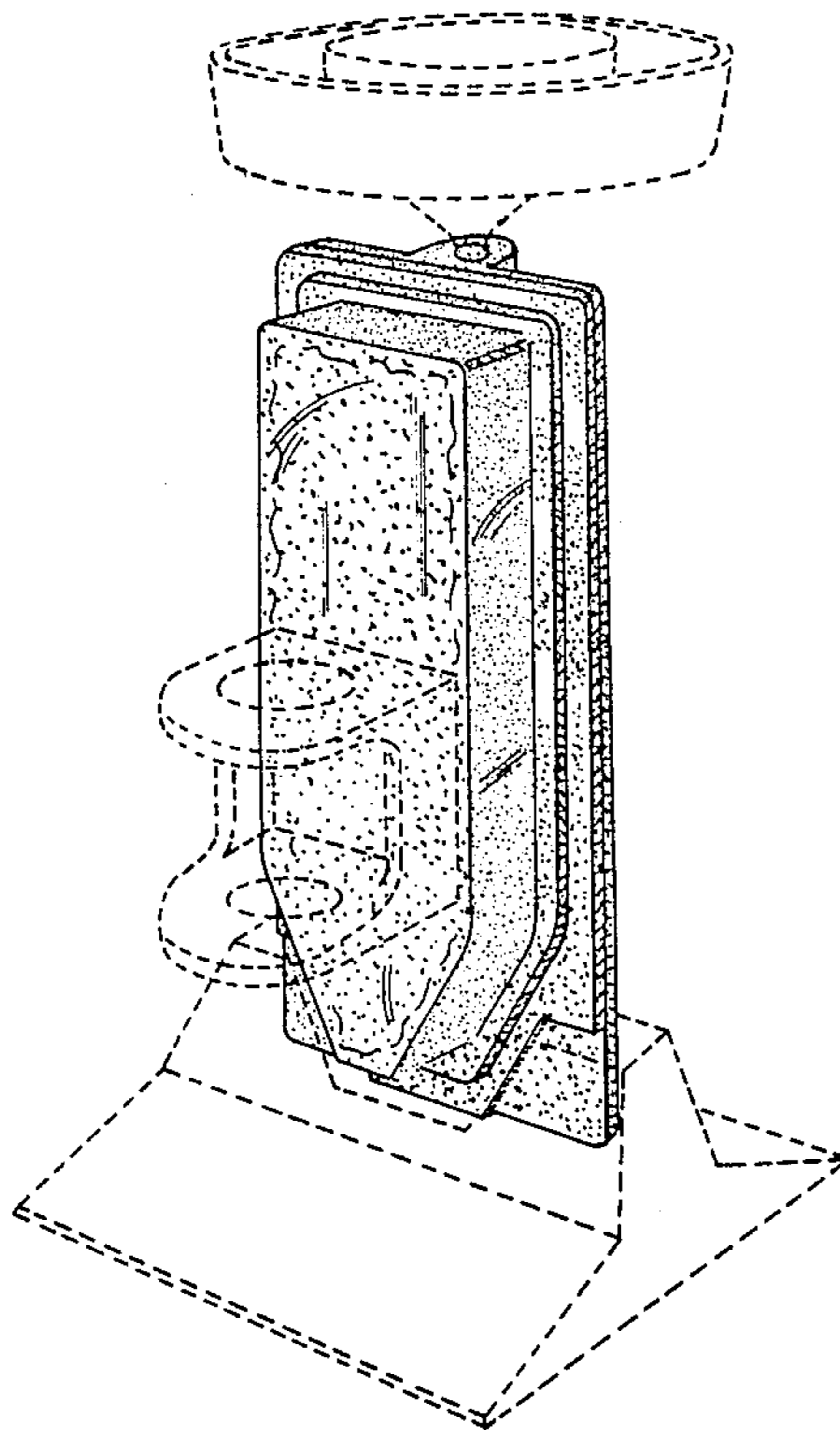
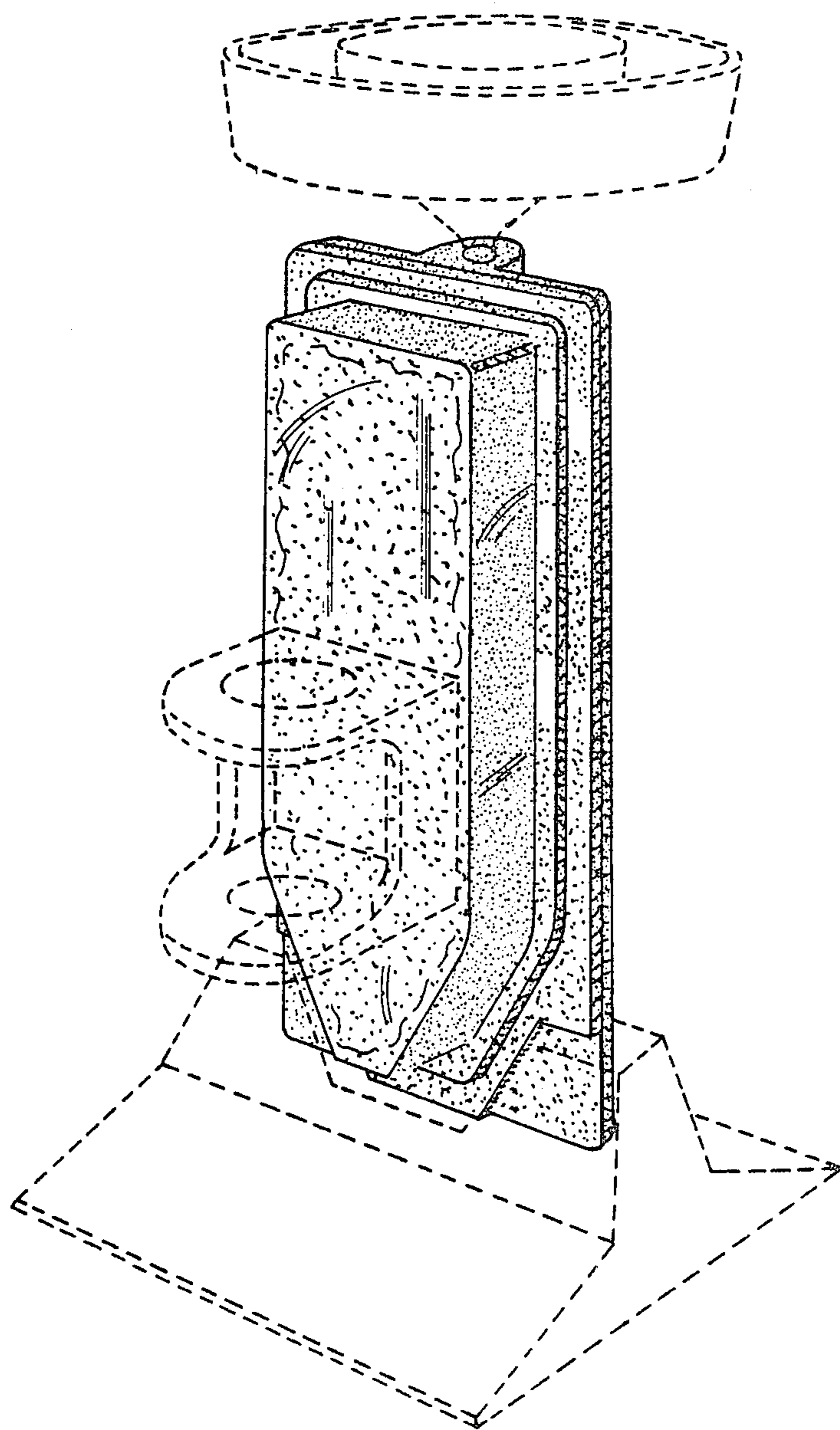


FIG. 1



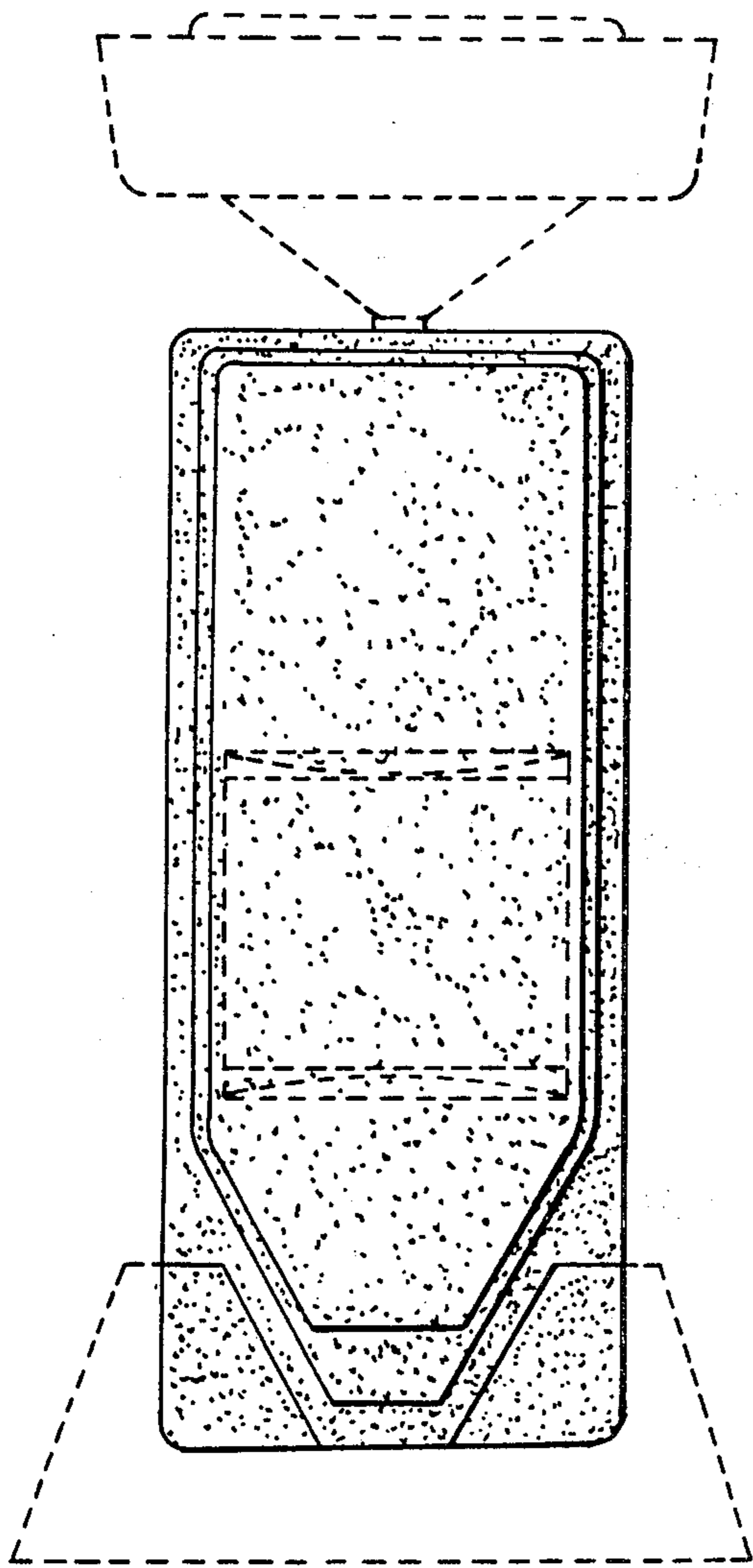


FIG. 2

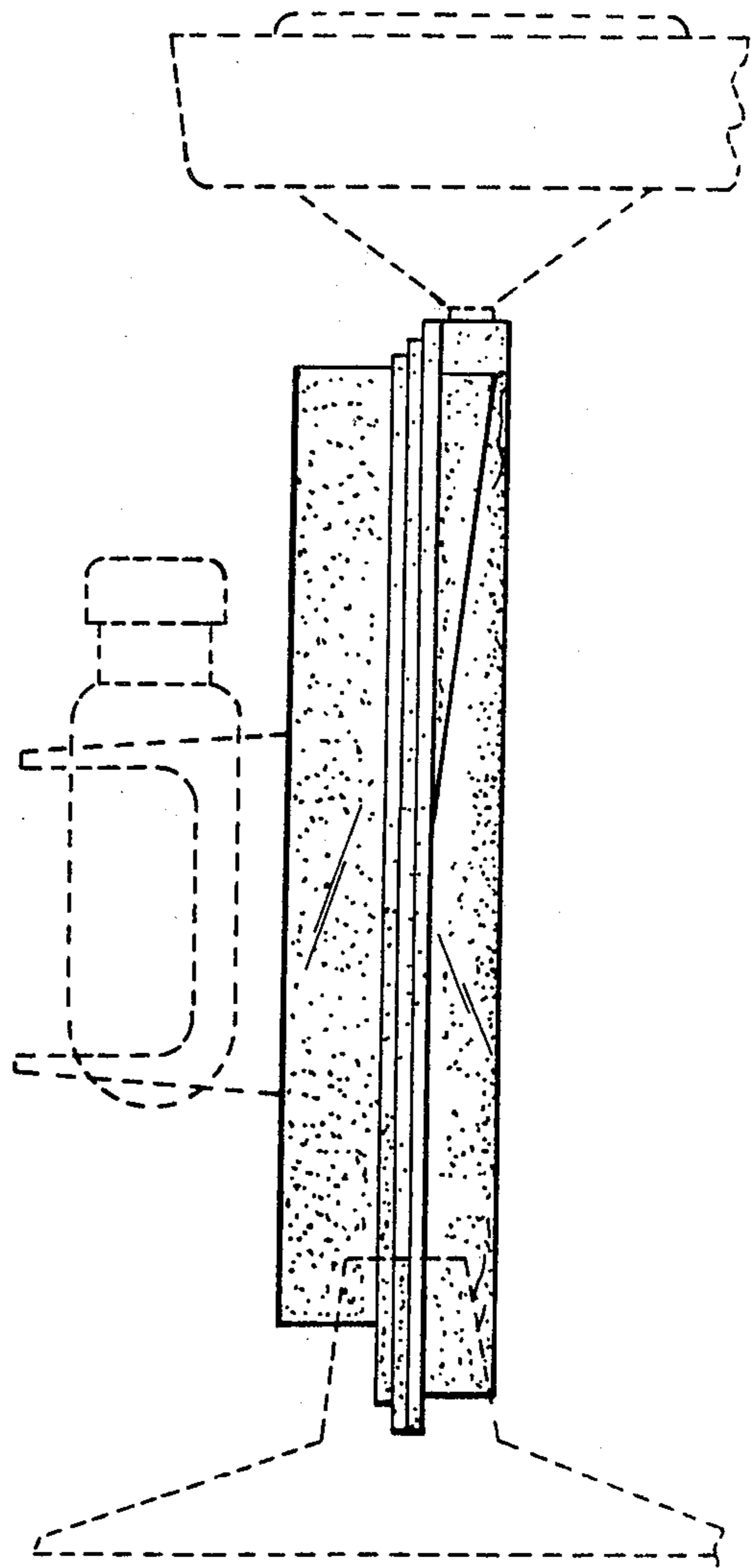


FIG. 3

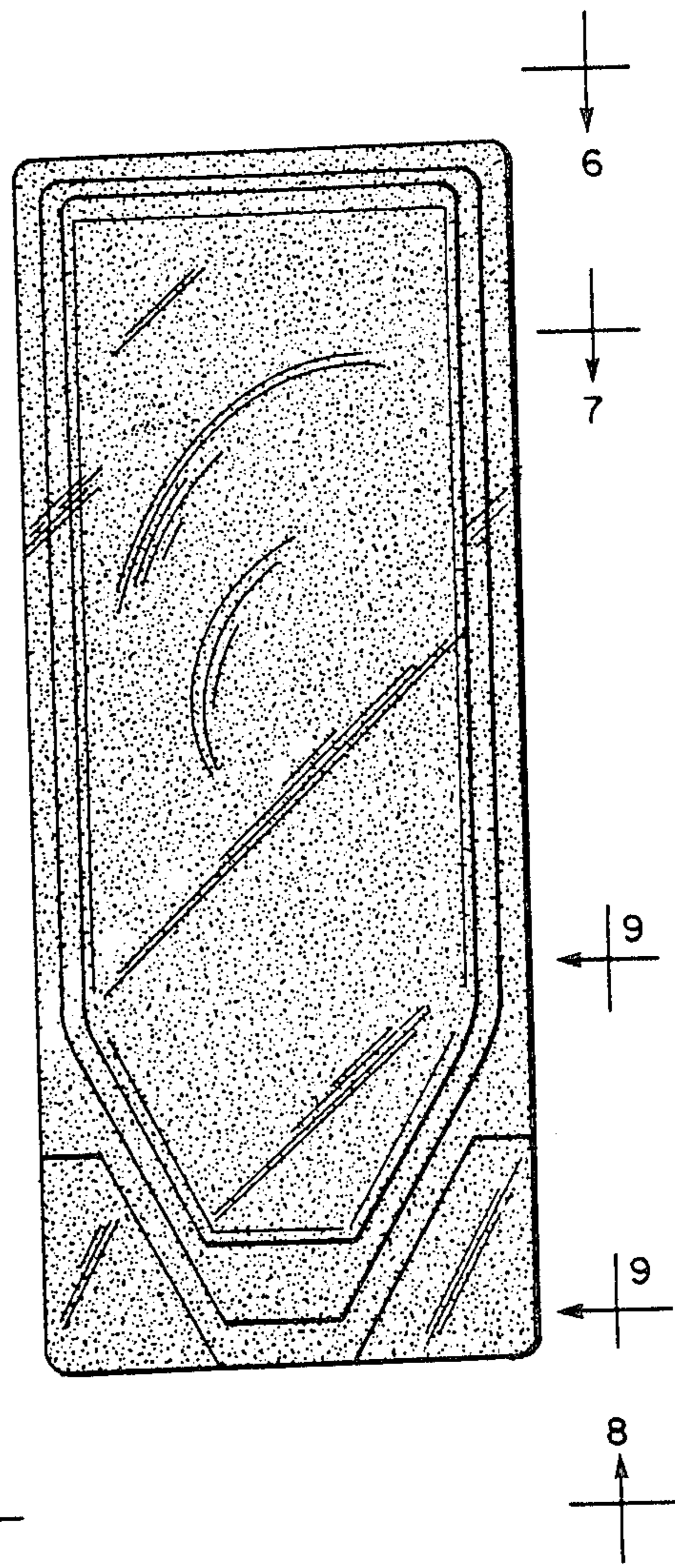
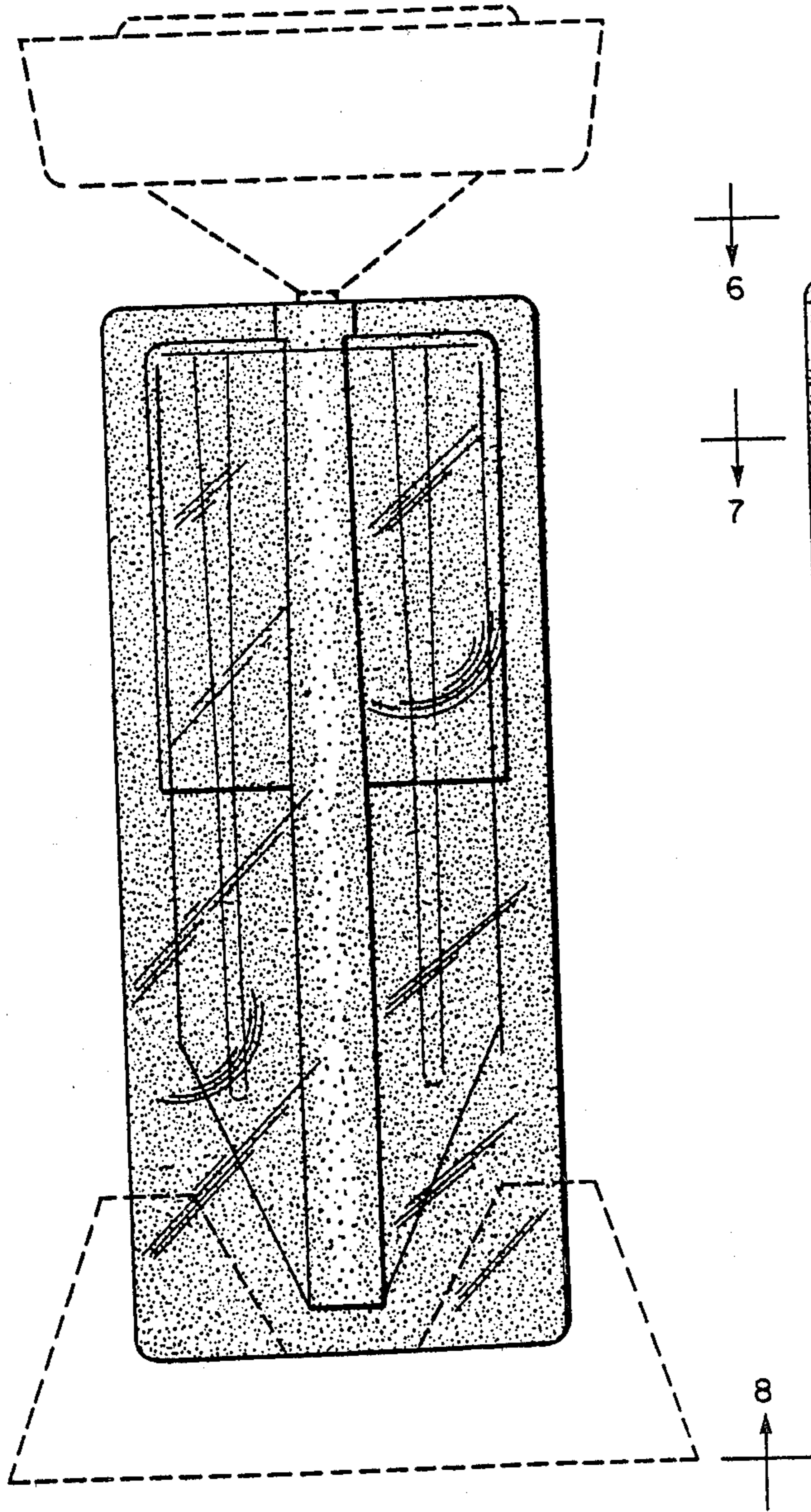


FIG. 6

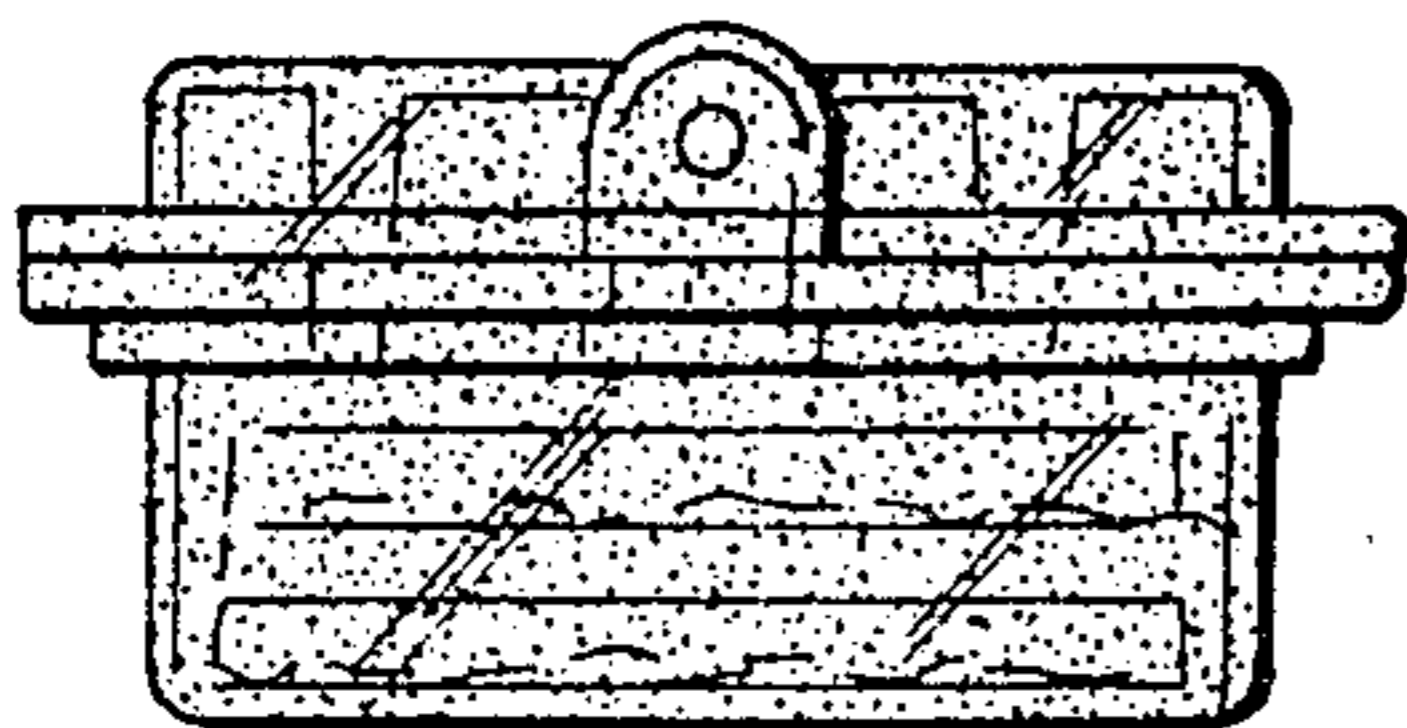


FIG. 8

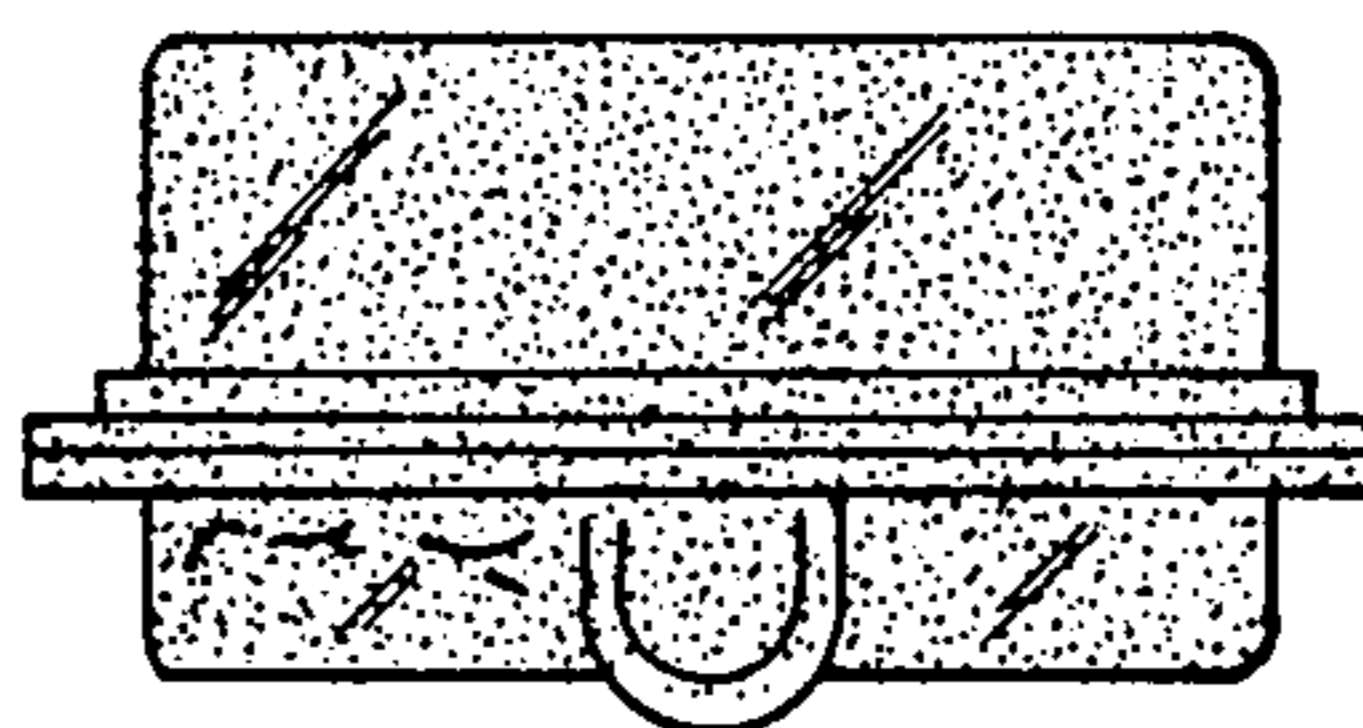


FIG. 7

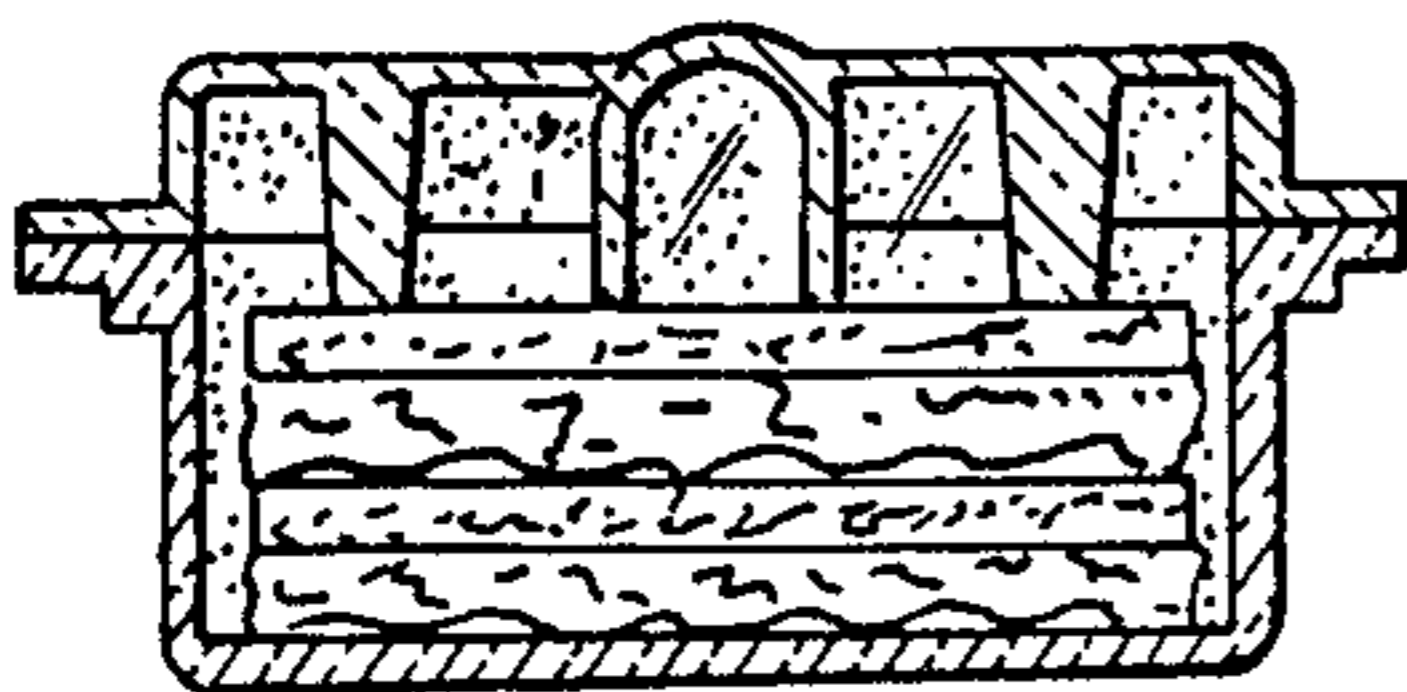


FIG. 9

