

# United States Patent [19]

Petersson et al.

[11] Patent Number: Des. 275,774

[45] Date of Patent: \*\* Oct. 2, 1984

## [54] TOY WHEELBARROW

[75] Inventors: Nils A. I. Petersson, Killeberg; Nils B. L. Sander, Osby, both of Sweden

[73] Assignee: Brio Toy AB, Osby, Sweden

[\*\*] Term: 14 Years

[21] Appl. No.: 380,098

[22] Filed: May 20, 1982

[52] U.S. Cl. .... D21/76; D34/16

[58] Field of Search ..... D21/73, 76, 78, 79, D21/80, 128, 132, 137; D34/16; 280/87.01; 46/201, 210, 222, 223

## [56] References Cited

### U.S. PATENT DOCUMENTS

D. 34,934 8/1901 Cooper ..... D34/16  
D. 154,360 7/1949 Balmer ..... D21/134  
D. 186,326 10/1959 Palma ..... D21/134  
D. 262,642 1/1982 Mariol ..... D21/134  
2,022,179 11/1935 Blackmore ..... 46/201

*Primary Examiner*—Charles A. Rademaker  
*Attorney, Agent, or Firm*—Barnes, Kisselle, Raisch, Choate, Whittemore & Hulbert

## [57] CLAIM

The ornamental design for a toy wheelbarrow, as shown and described.

## DESCRIPTION

FIG. 1 is a perspective view of a toy wheelbarrow showing our new design; and, FIG. 2 is another perspective view thereof in an inverted condition.

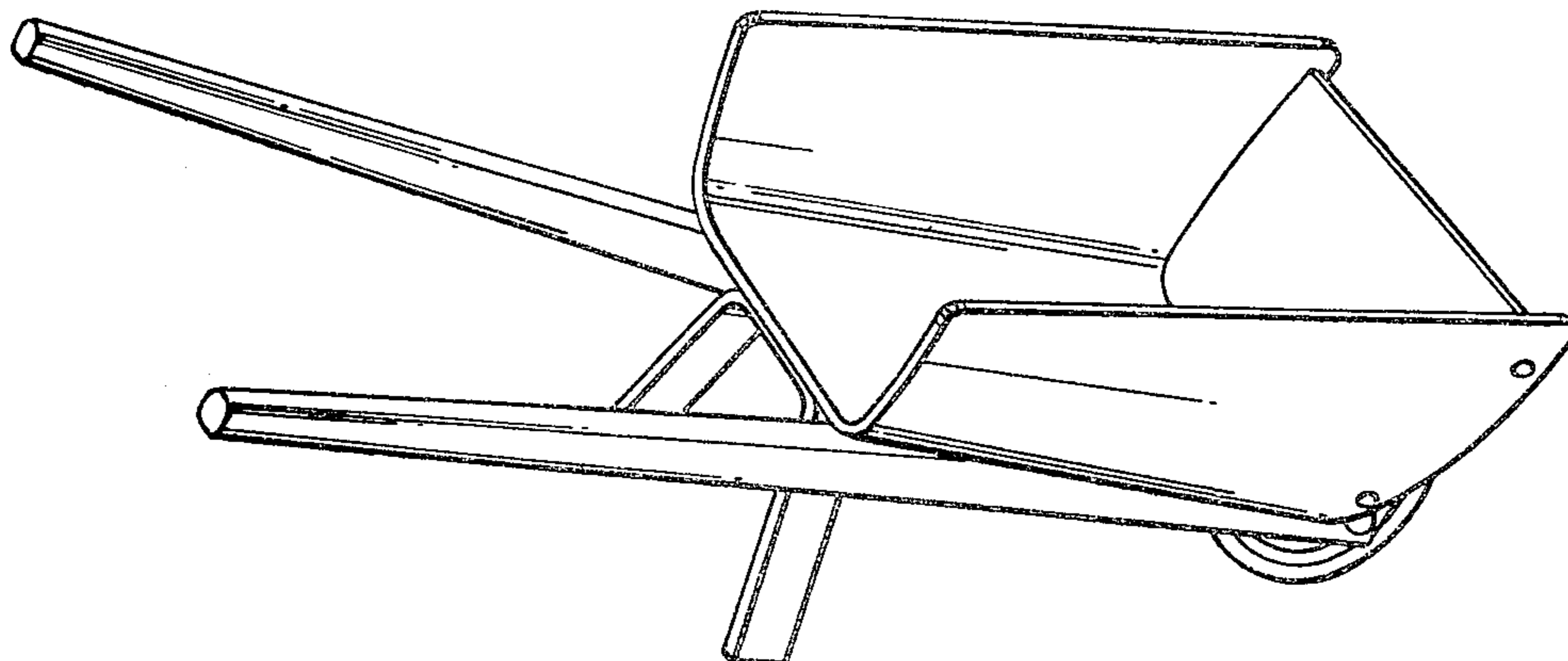


FIG. 1

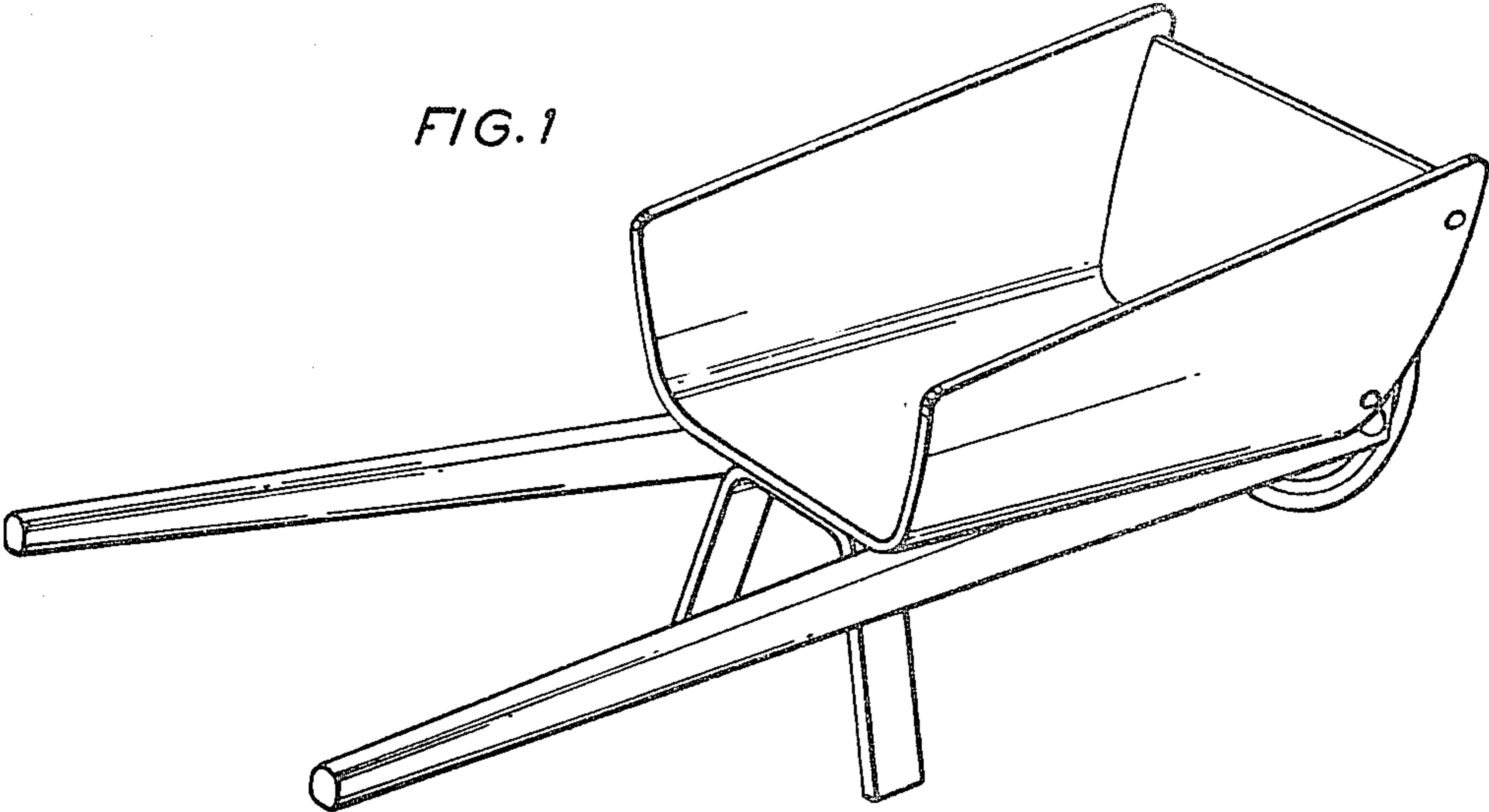


FIG. 2

