

[54] GAME HOUSING

[75] Inventors: Edward T. Holahan, Chicago; Harry Disko, South Barrington, both of Ill.; Joseph R. Echlin, Hampden; Wayne J. Yee, Springfield, both of Mass.

[73] Assignee: Marvin Glass & Associates, Chicago, Ill.

[\*\*] Term: 14 Years

[21] Appl. No.: 345,074

[22] Filed: Feb. 2, 1982

[52] U.S. Cl. .... D21/17; D21/20

[58] Field of Search ..... D21/17, 20, 32; 273/109, 113, 115

[56] References Cited

U.S. PATENT DOCUMENTS

D. 94,253 1/1935 Wiggins et al. .... D21/17

447,418 3/1891 Wheeler ..... 273/115  
1,674,681 6/1928 Brenkert ..... 273/115

Primary Examiner—Melvin B. Feifer  
Attorney, Agent, or Firm—Ross, Ross & Flavin

[57] CLAIM

The ornamental design for game housing, as shown and described.

DESCRIPTION

FIG. 1 is a top plan view of a game housing embodying our design;

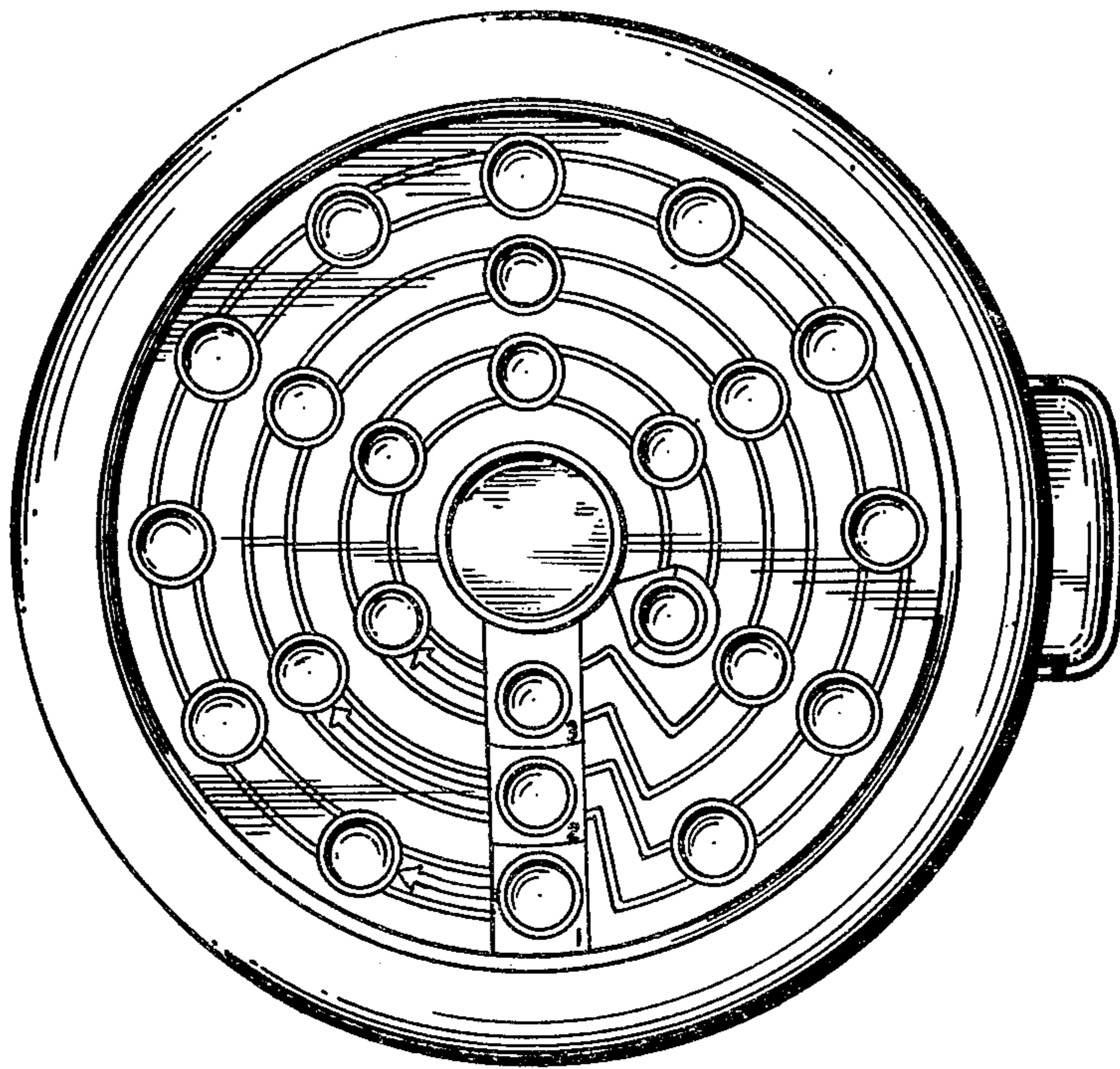
FIG. 2 is a bottom plan view;

FIG. 3 is an end elevational view as seen from the right of FIG. 1;

FIG. 4 is a front elevational view;

FIG. 5 is an end elevational view as seen from the left of FIG. 1.

The rear elevation is a mirror image of the front elevation.



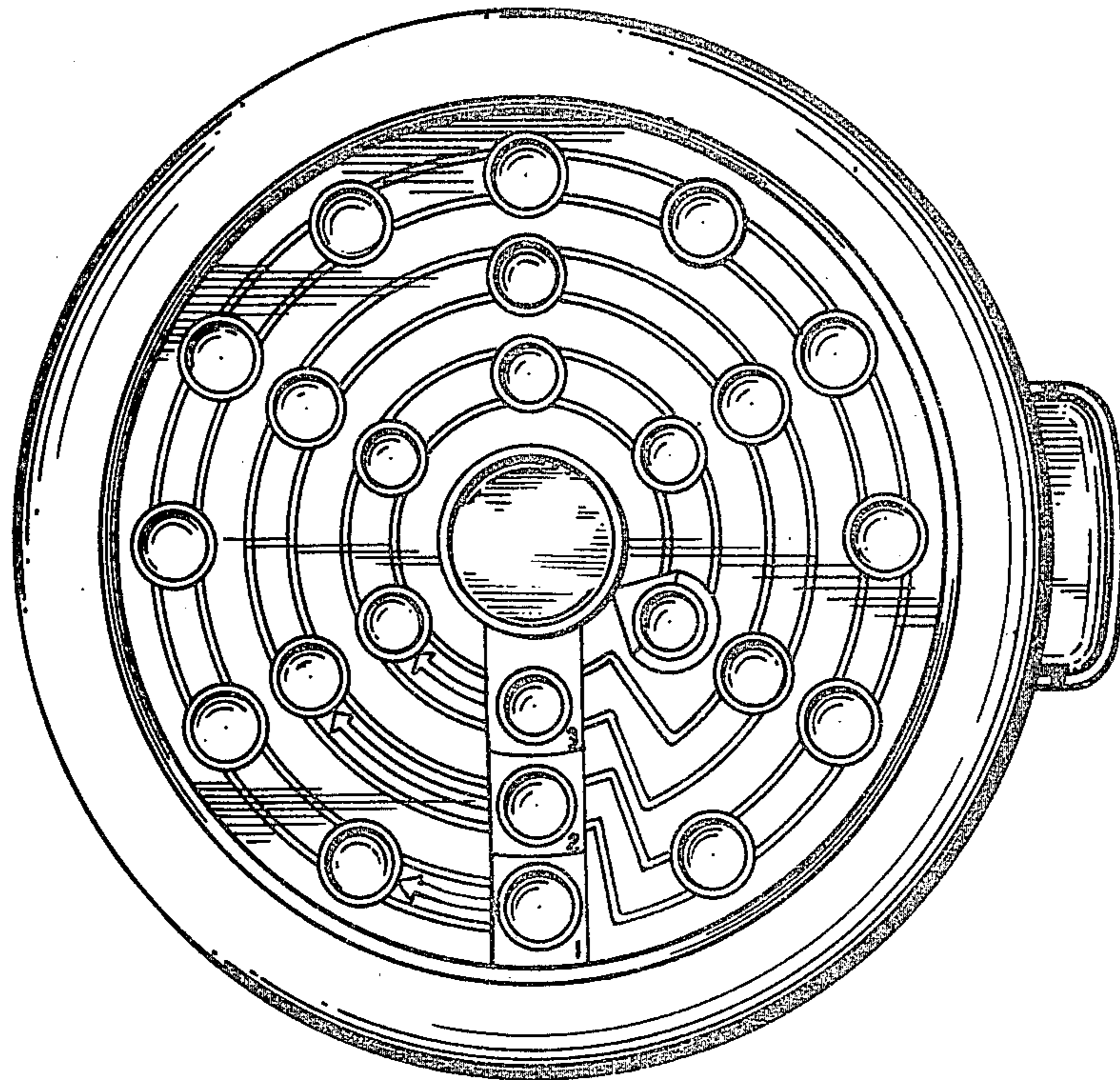


FIG. 1

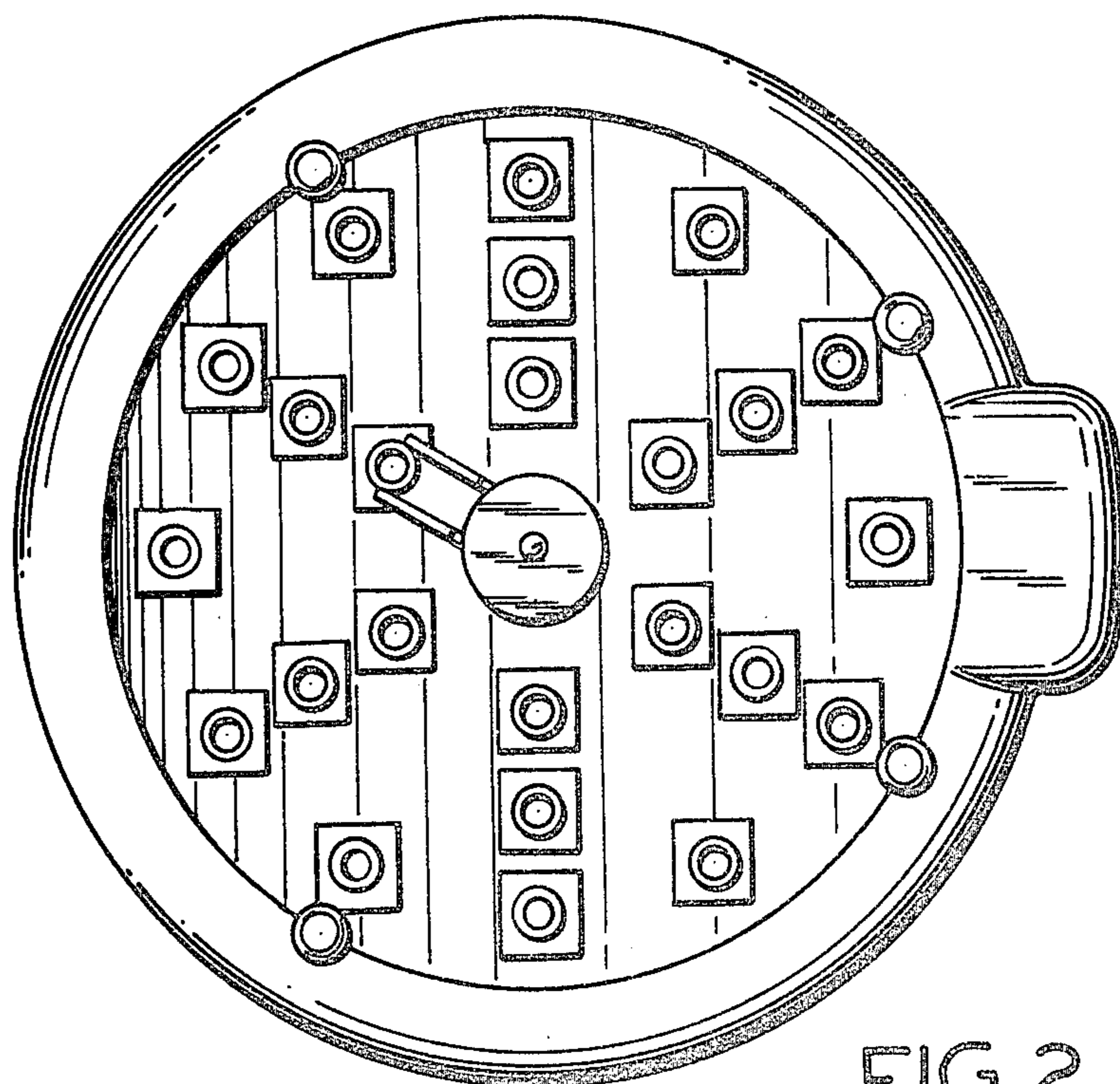


FIG. 2



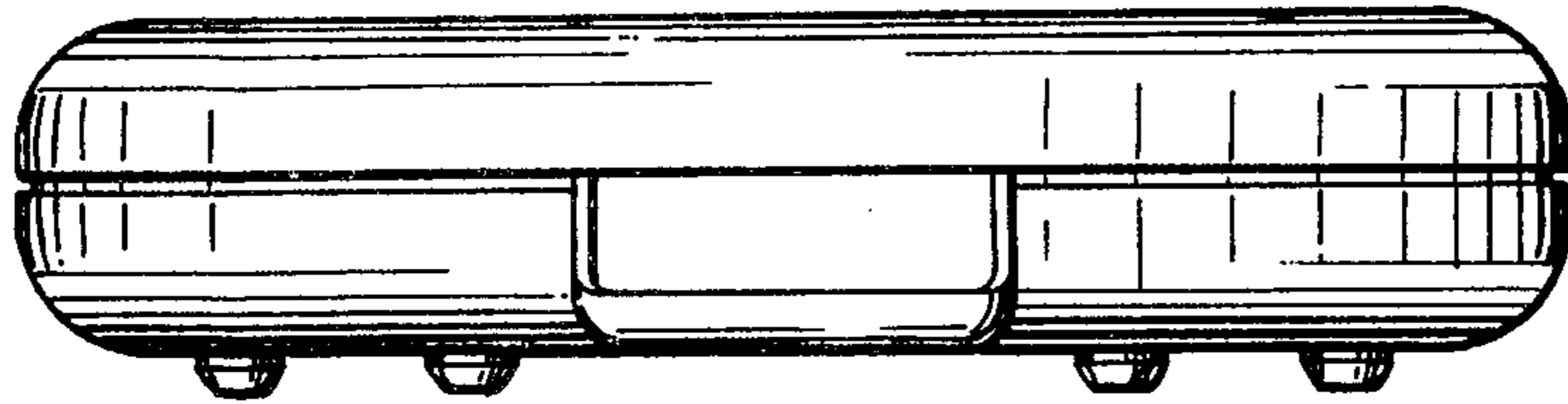


FIG. 3

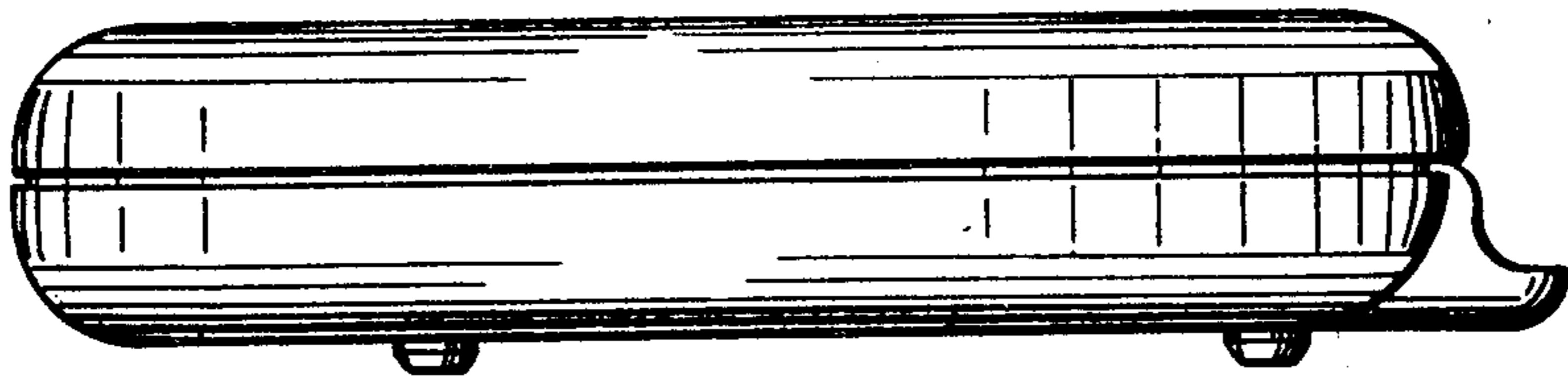


FIG. 4

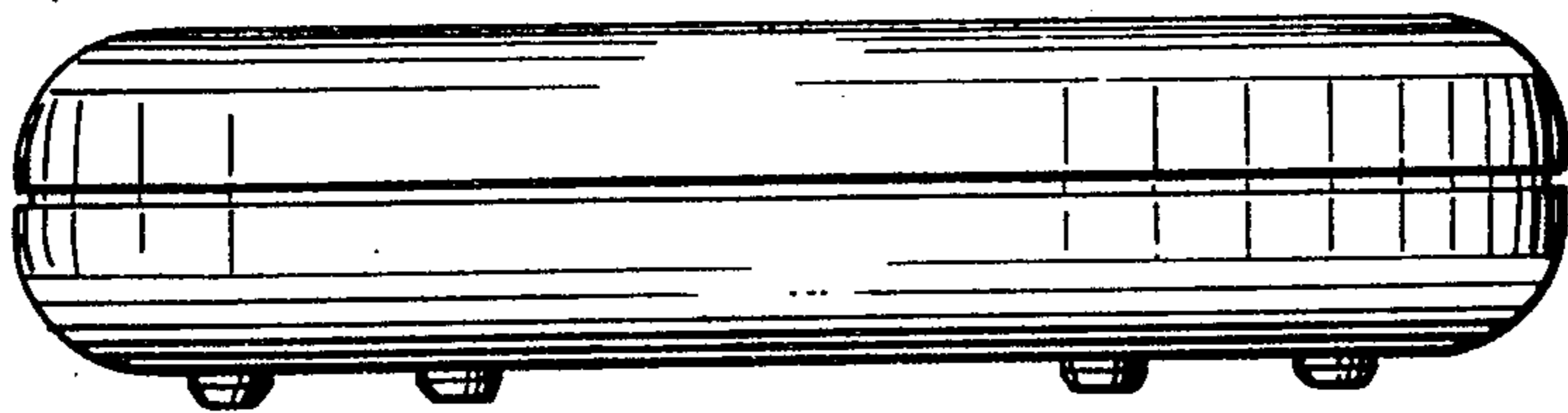


FIG. 5