

[54] AMUSEMENT GAME CABINET

[75] Inventors: Eugenia Akopian, Lincolnwood; Leo Ludzia, Chicago, both of Ill.

[73] Assignee: Williams Electronics, Inc., Chicago, Ill.

[\*\*] Term: 14 Years

[21] Appl. No.: 477,679

[22] Filed: Mar. 18, 1983

[52] U.S. Cl. .... D21/13; D6/419; D6/420

[58] Field of Search ..... D21/13, 14; D6/146, D6/175, 172, 174, 167, 168; 273/DIG. 28

[56] References Cited

U.S. PATENT DOCUMENTS

- D. 144,045 3/1946 Fletcher .
- D. 188,418 7/1960 Salveson .
- D. 248,697 8/1978 Miller .
- D. 249,729 9/1978 Olson ..... D21/13

OTHER PUBLICATIONS

Vending Times, Sep., 1976, p. 89, lower left, Video Cocktail Table.

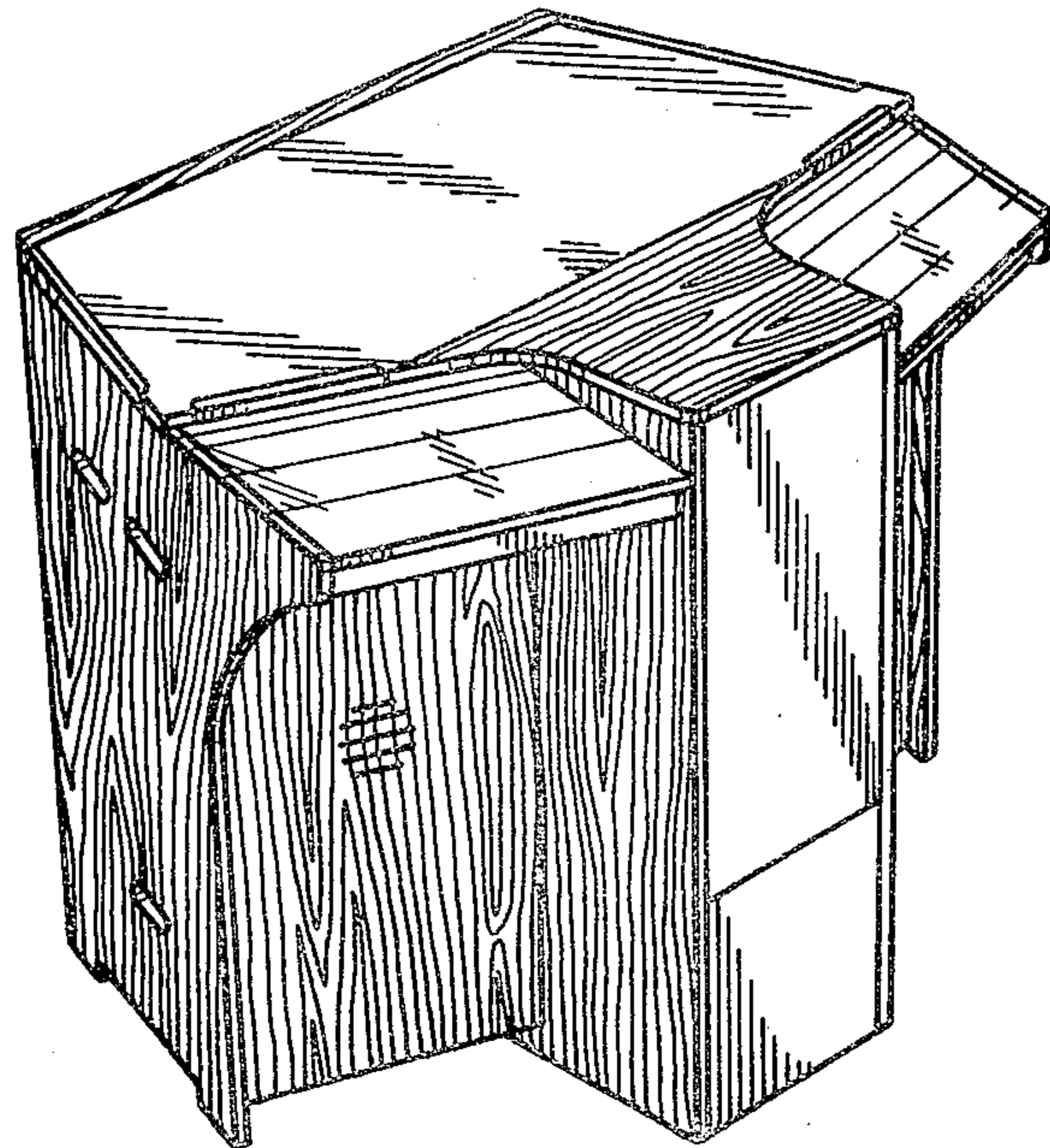
Primary Examiner—Melvin B. Feifer  
Attorney, Agent, or Firm—McDougall, Hersh & Scott

[57] CLAIM

The ornamental design for an amusement game cabinet, as shown.

DESCRIPTION

FIG. 1 is a perspective view of an amusement game cabinet showing our new design;  
 FIG. 2 is a top plan view of the first embodiment.  
 FIG. 3 is a front elevational view of the design.  
 FIG. 4 is a left elevational view of the design.  
 FIG. 5 is a right elevational view of the design.  
 FIG. 6 is a rear elevational view of the design.  
 FIG. 7 is a bottom plan view of the design.  
 FIG. 8 is a top plan view of a second embodiment.  
 FIG. 9 is a top plan view of a third embodiment.



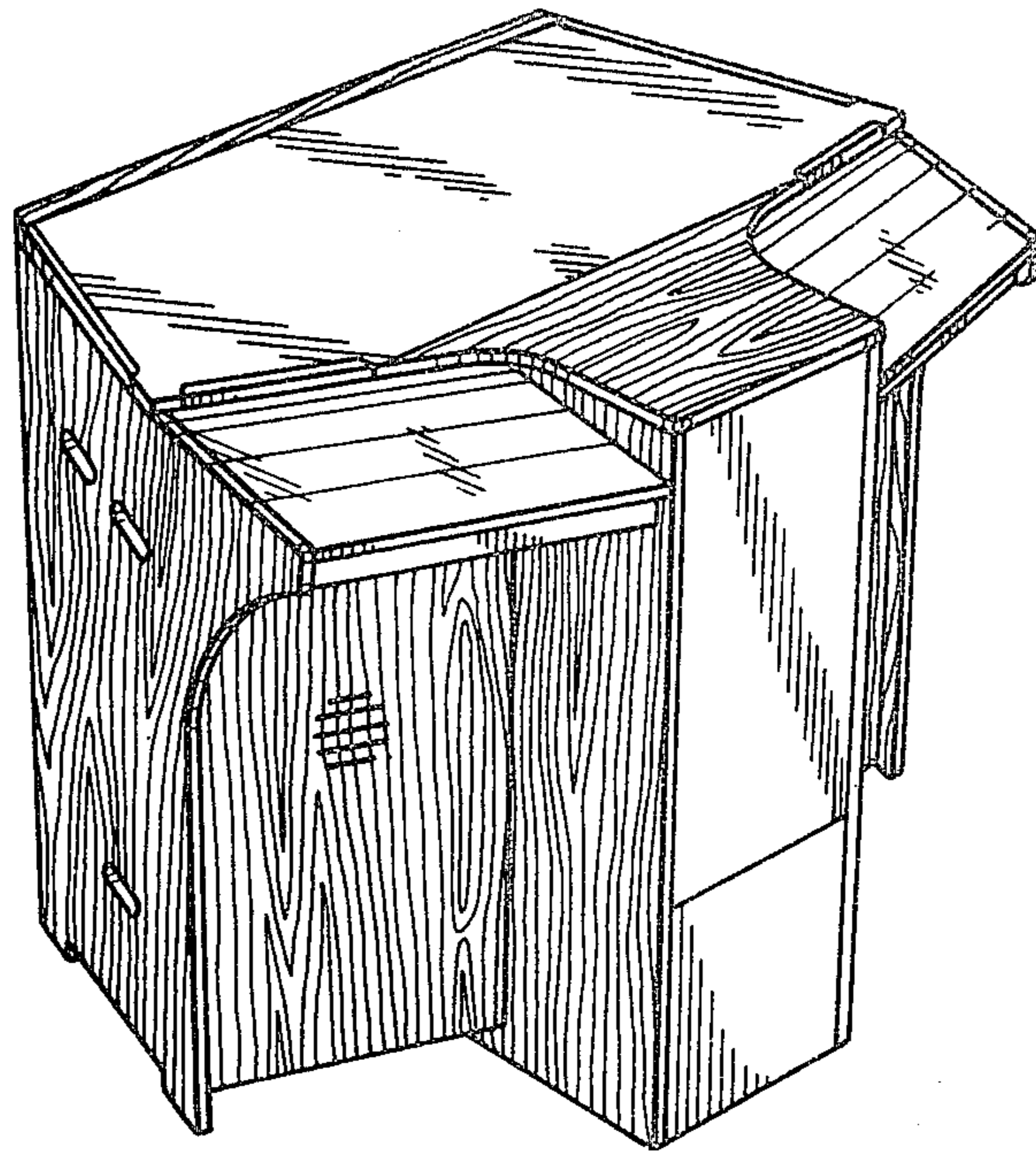


FIG. 1

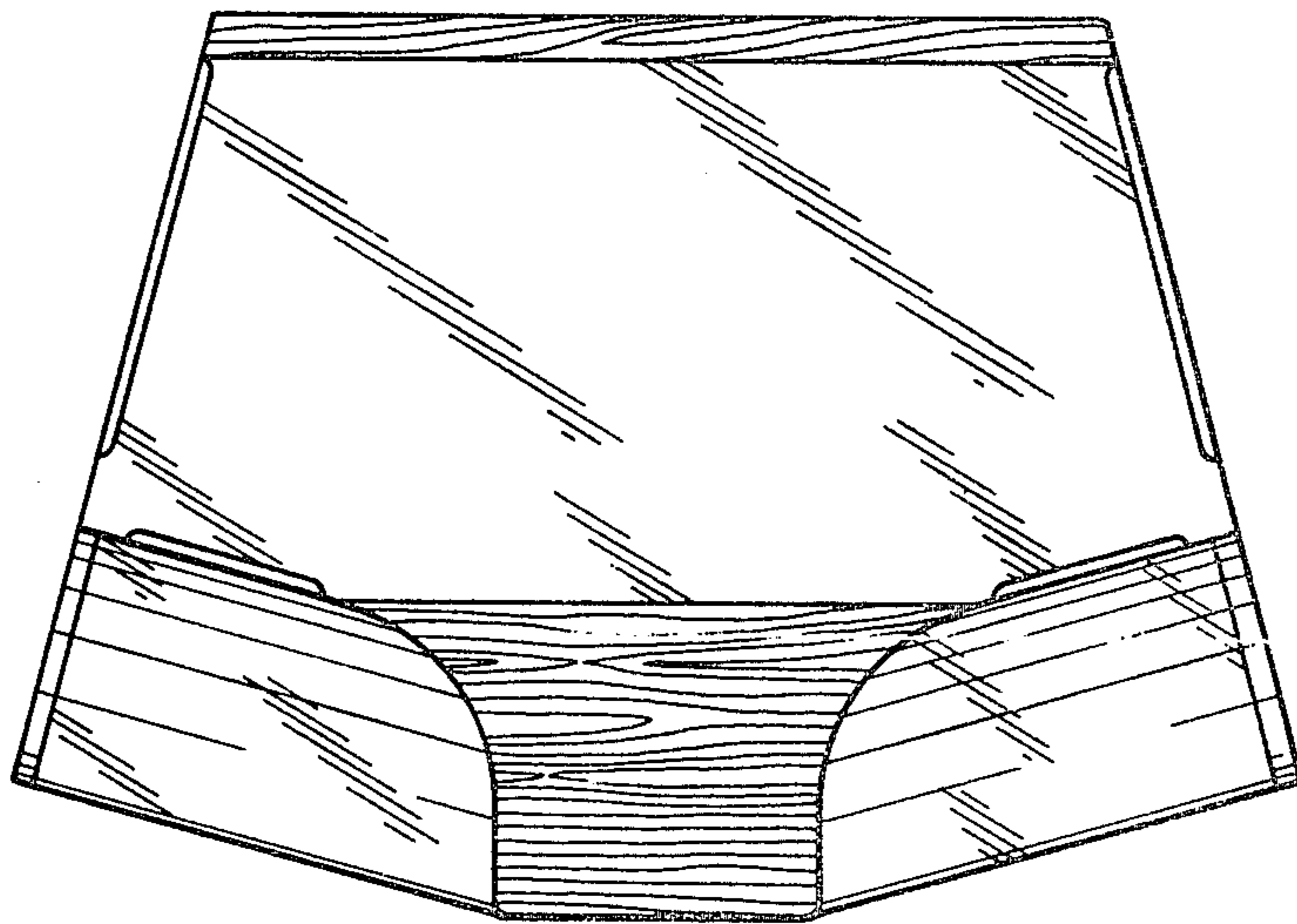


FIG. 2

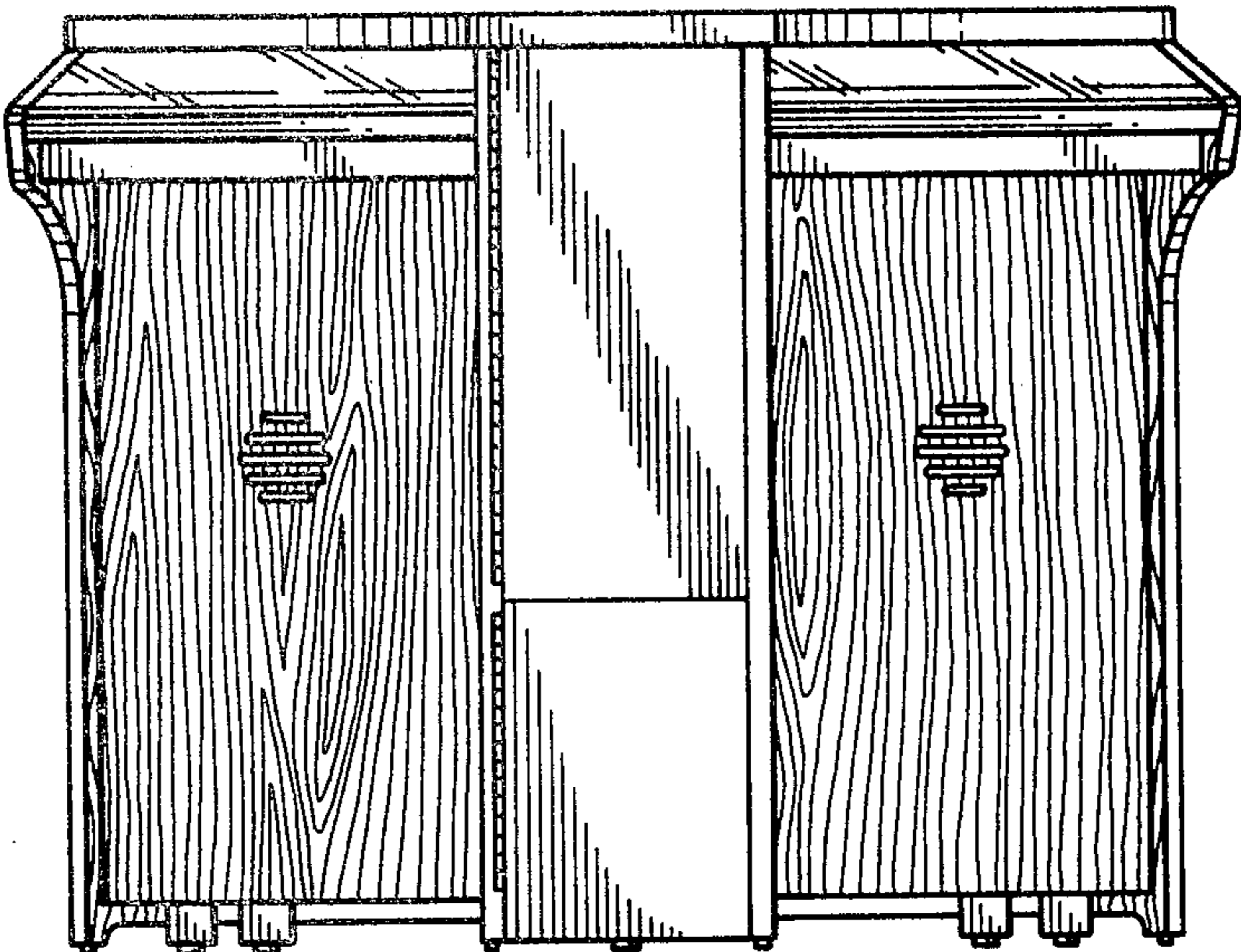


FIG.3

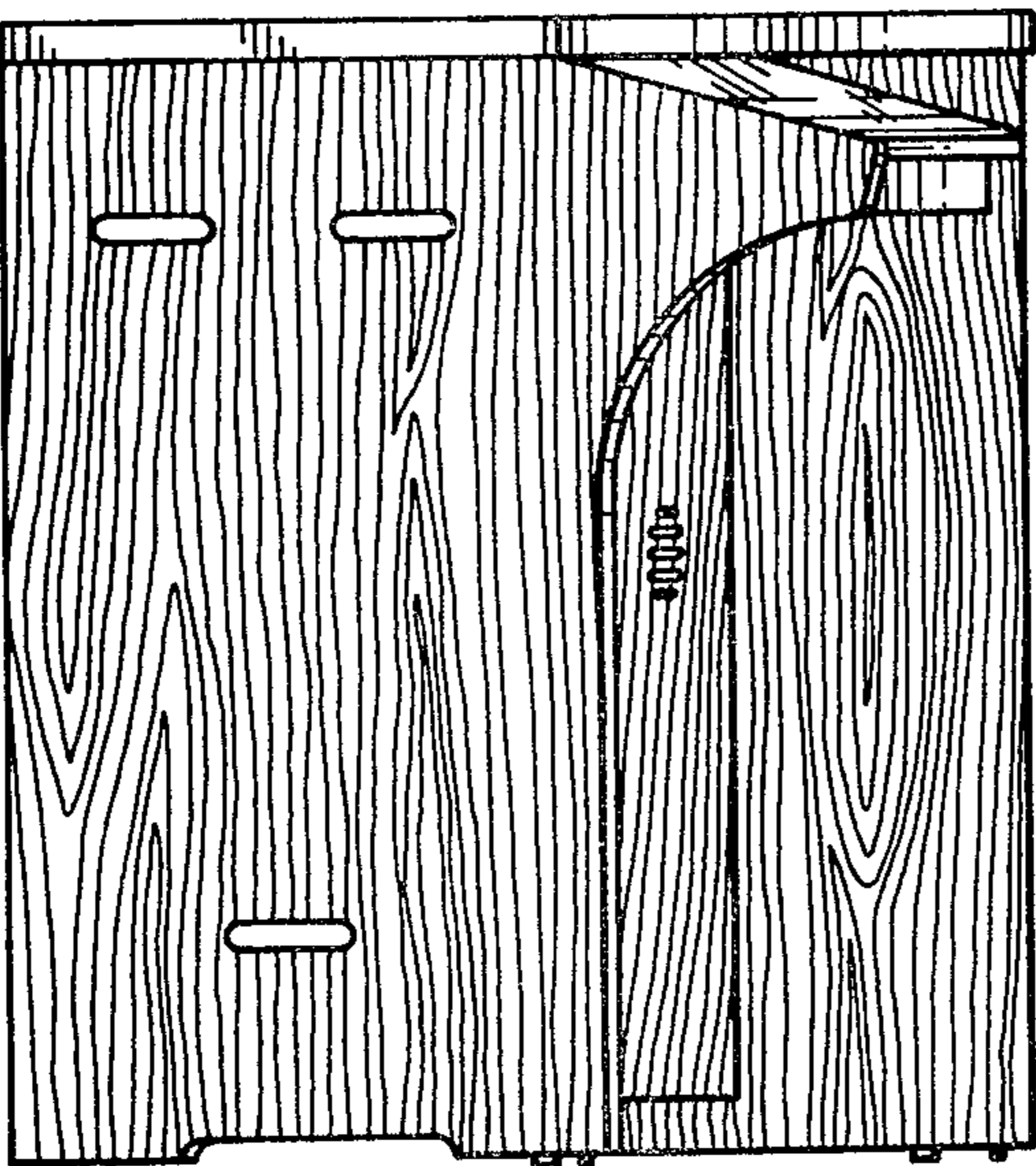


FIG.4

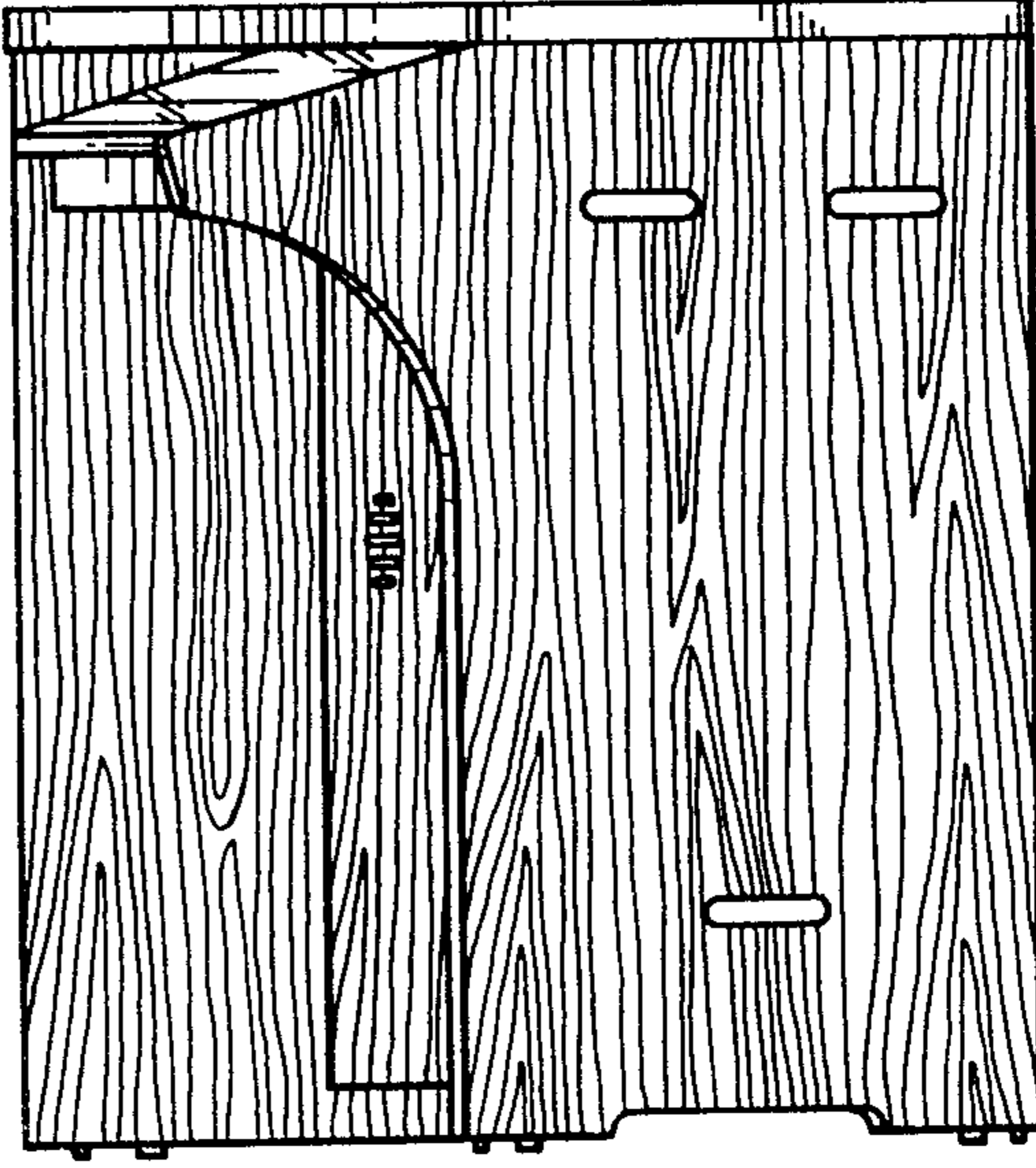


FIG.5



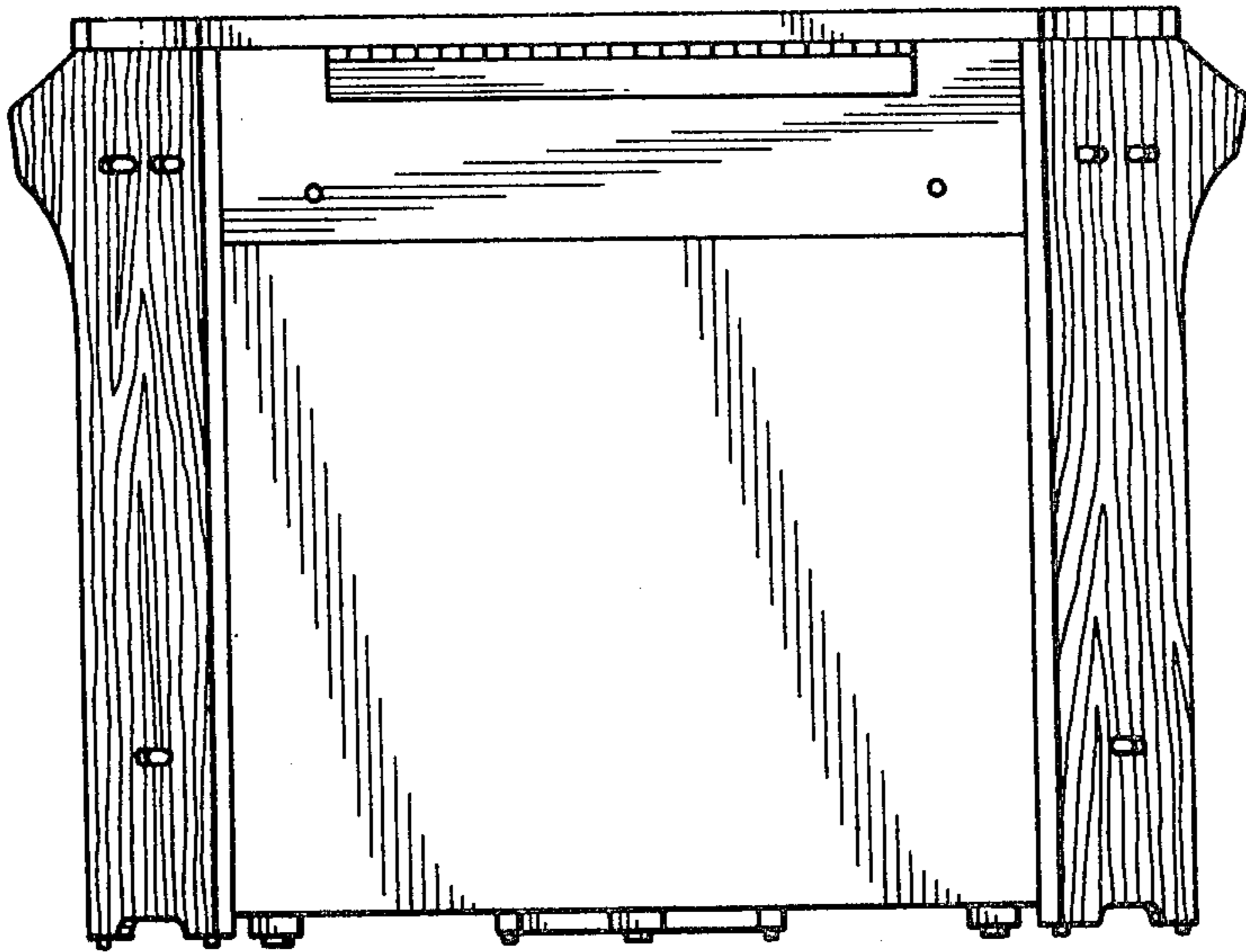


FIG. 6

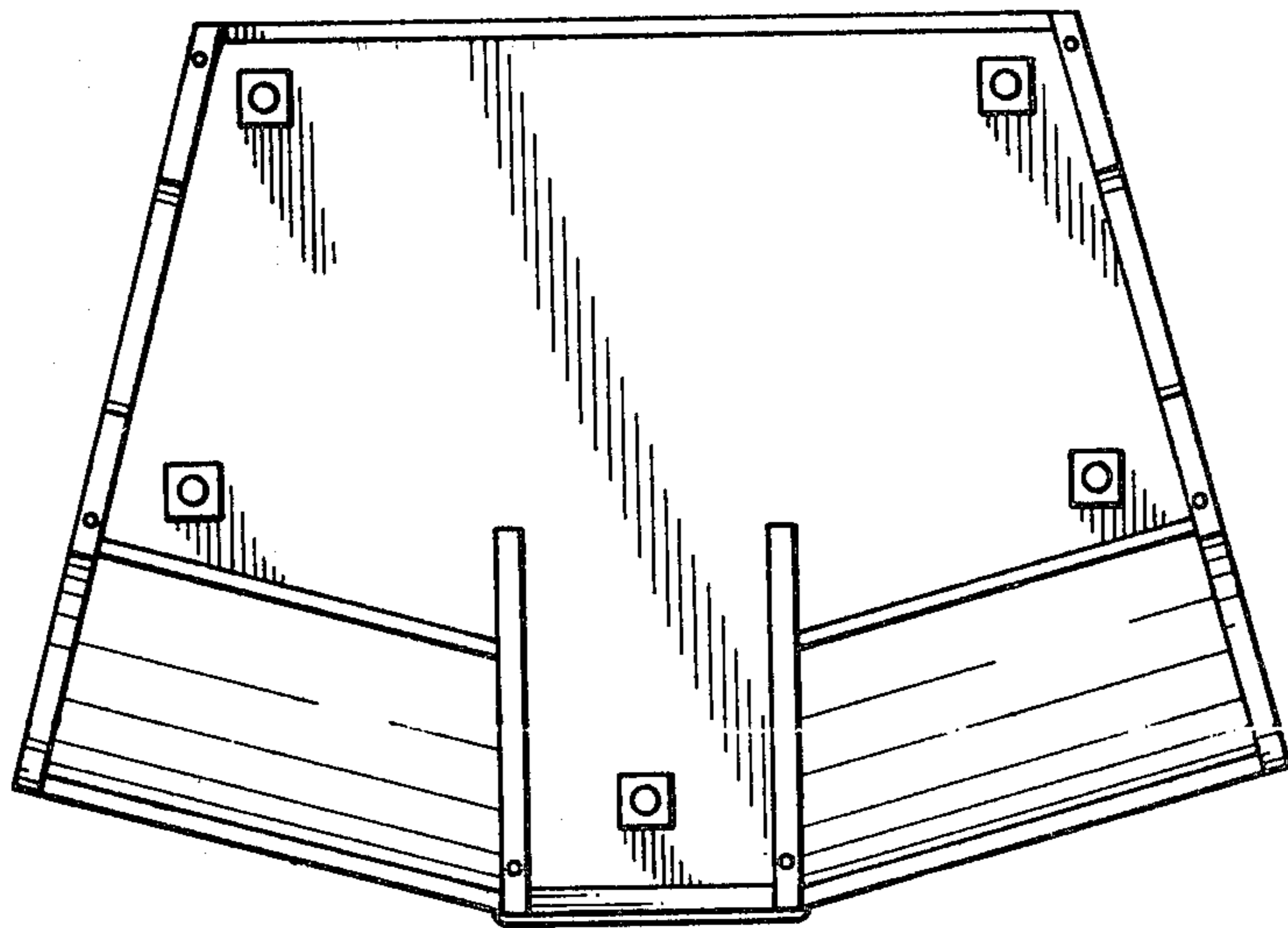


FIG. 7

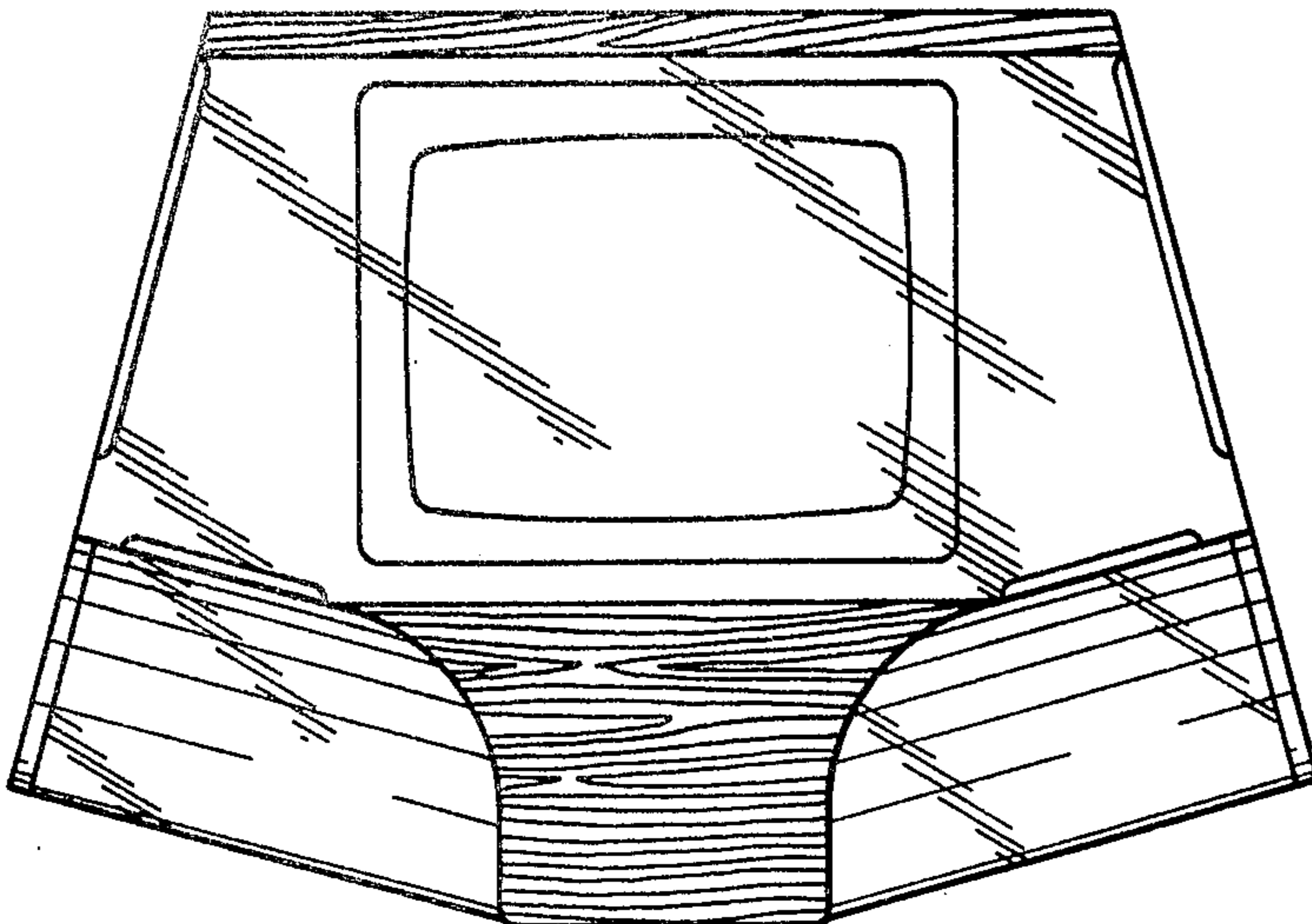


FIG. 8

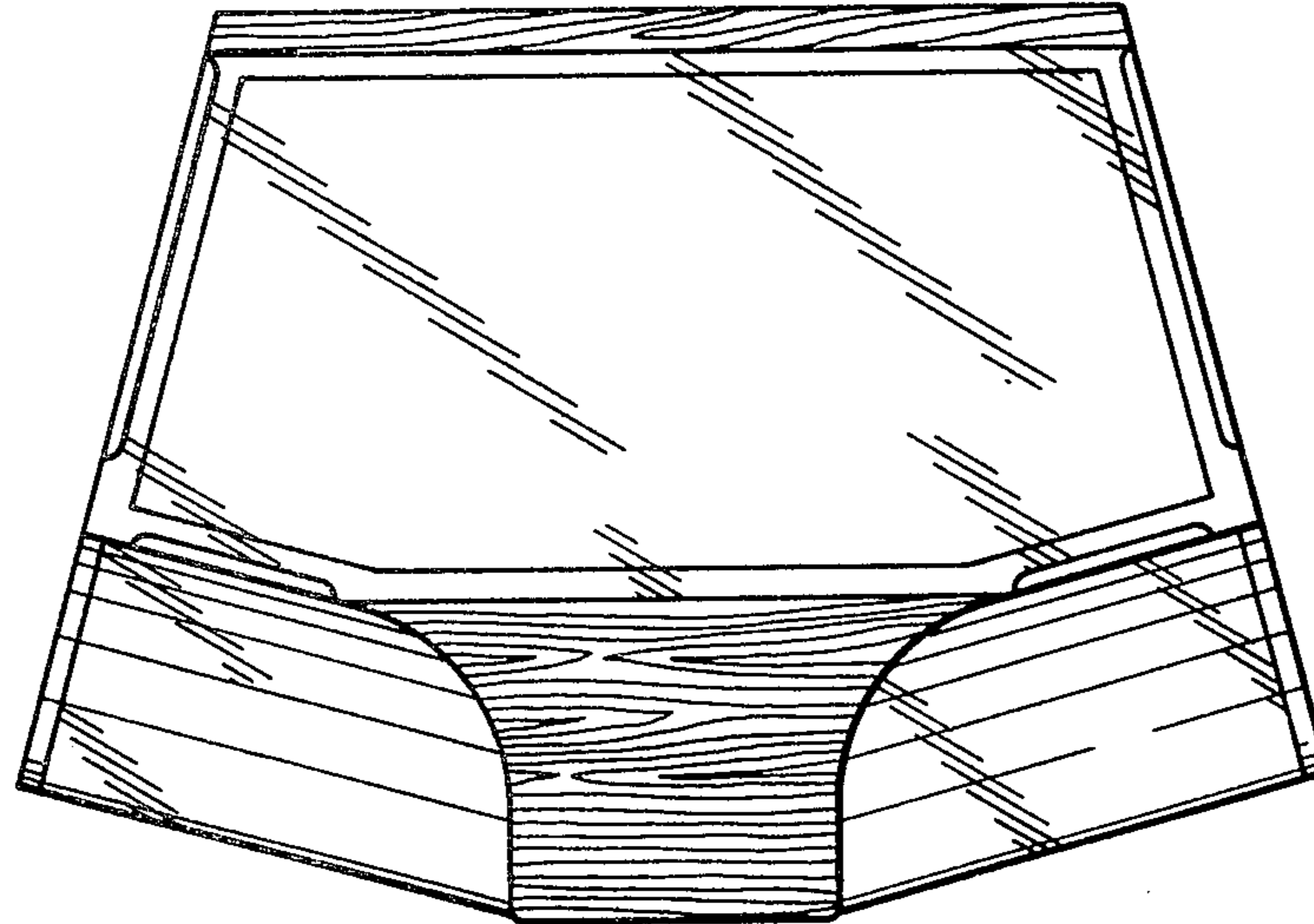


FIG. 9