

[54] CONVERSION LENS FOR A MINIATURE CAMERA

[75] Inventor: Takeo Suzuki, Odawara, Japan
[73] Assignee: Ace Optical Co., Ltd., Kanagama, Japan
[**] Term: 14 Years
[21] Appl. No.: 452,788
[22] Filed: Dec. 27, 1982

[30] Foreign Application Priority Data

Jul. 12, 1982 [JP] Japan 57-31000
[52] U.S. Cl. D16/134; D16/101
[58] Field of Search D16/134, 135, 101, 136, D16/10; 350/252, 257

[56] References Cited

U.S. PATENT DOCUMENTS

D. 141,692 6/1945 Nemeth D16/136
D. 271,618 11/1983 Nishigaki D16/134

2,428,719 10/1947 Nemeth D16/134

OTHER PUBLICATIONS

Fujica EBC Fujinon Lenses Brochure showing an array of special purpose add-on lenses.

Primary Examiner—Wallace R. Burke
Assistant Examiner—Horace B. Fay

[57] CLAIM

The ornamental design for a conversion lens for a miniature camera, as shown.

DESCRIPTION

FIG. 1 is a front elevational view of a conversion lens for a miniature camera showing my new design; FIG. 2 is a rear elevational view; FIG. 3 is a left side elevational view; FIG. 4 is a right side elevational view; FIG. 5 is a top plan view; FIG. 6 is a bottom plan view; and FIG. 7 is a front perspective view from above and to one side.

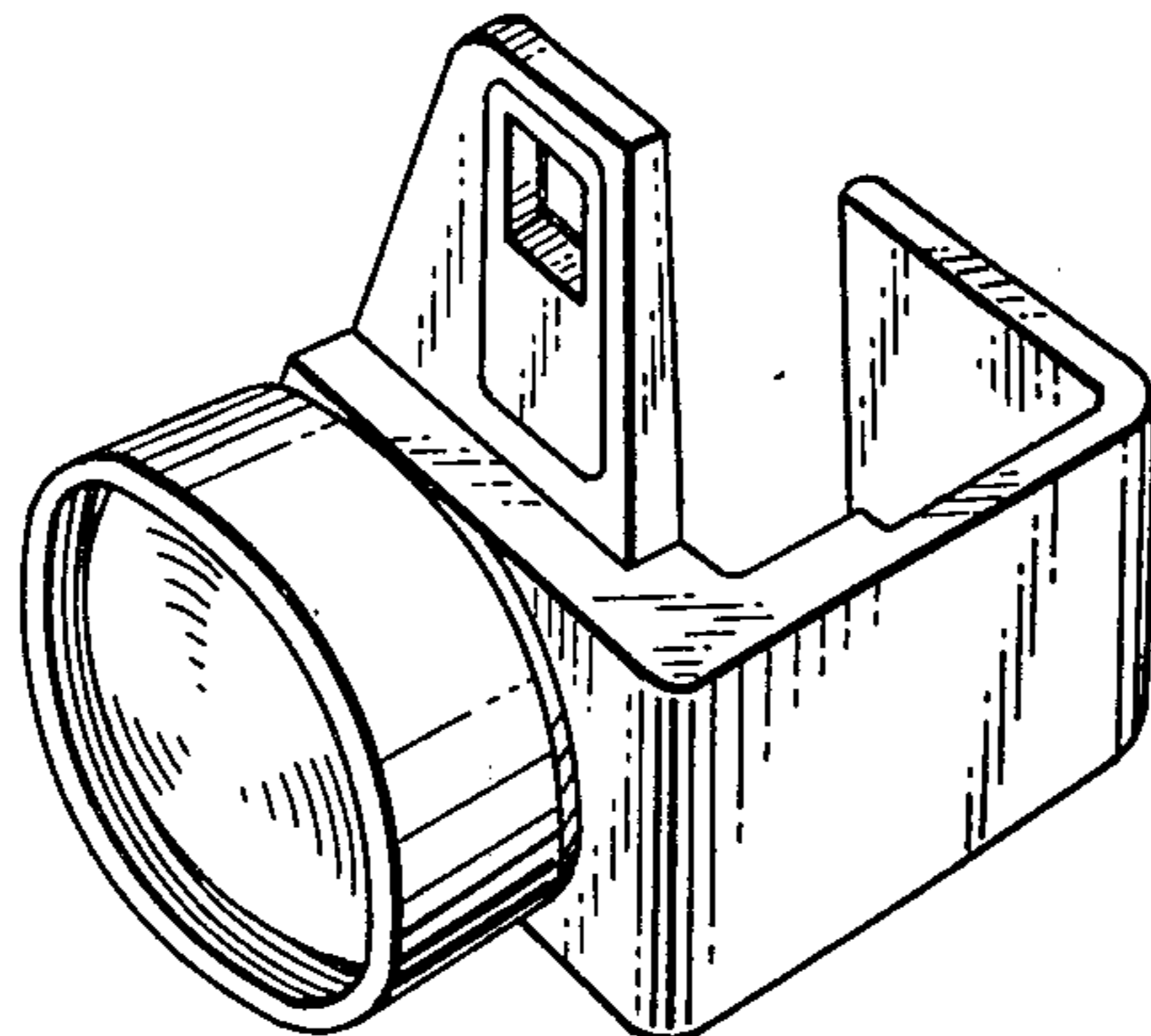


FIG. 1

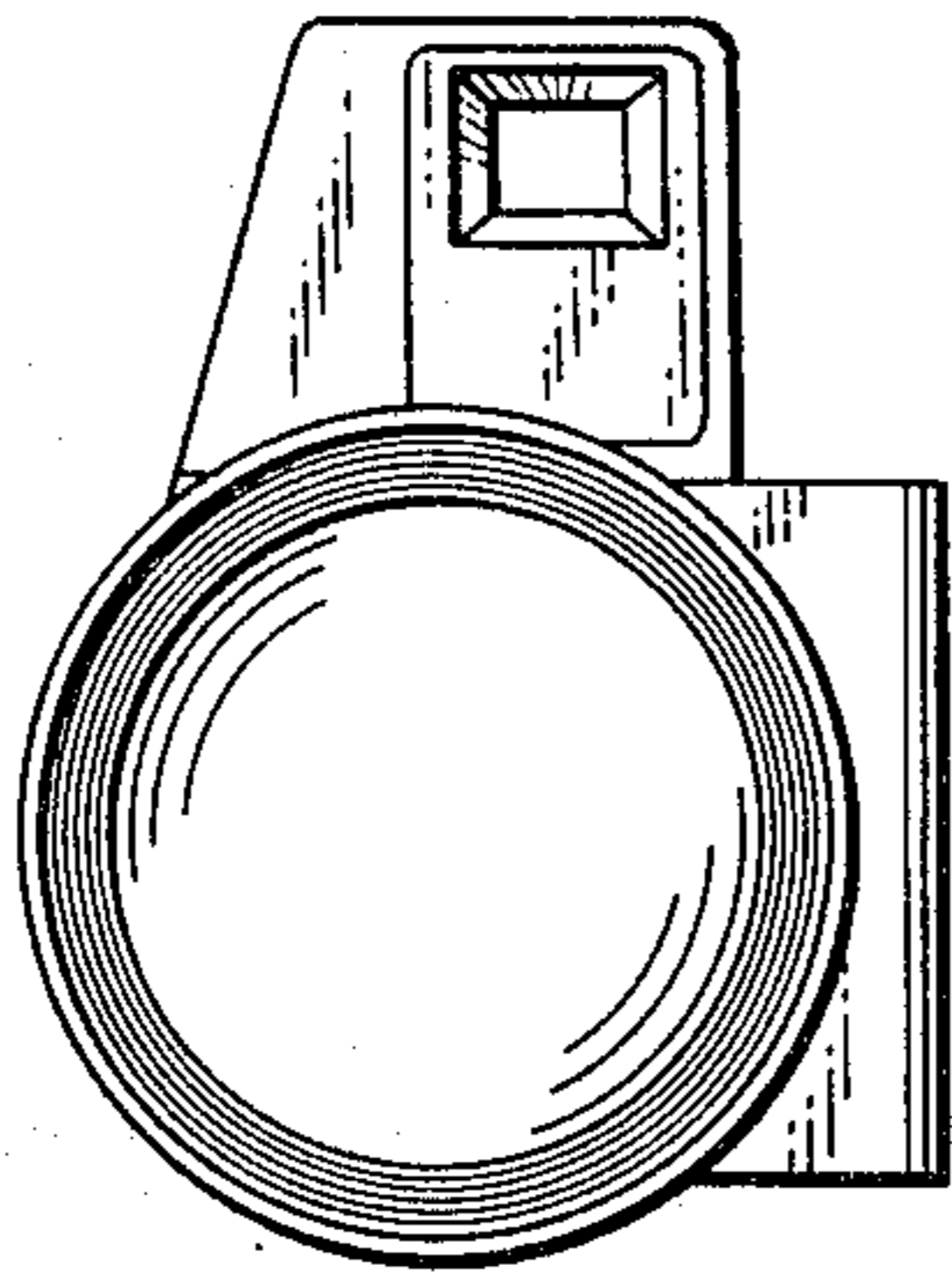


FIG. 2

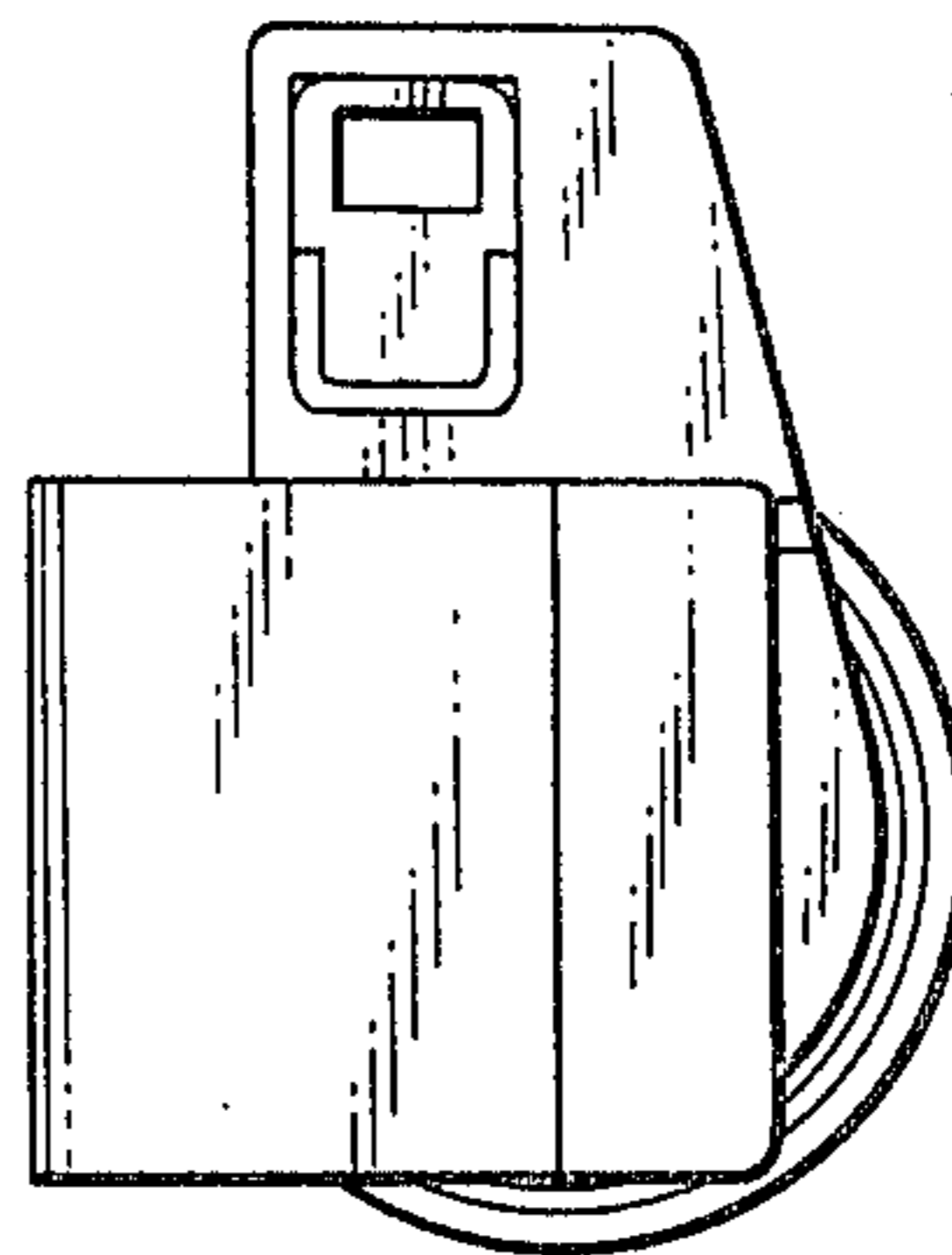


FIG. 3

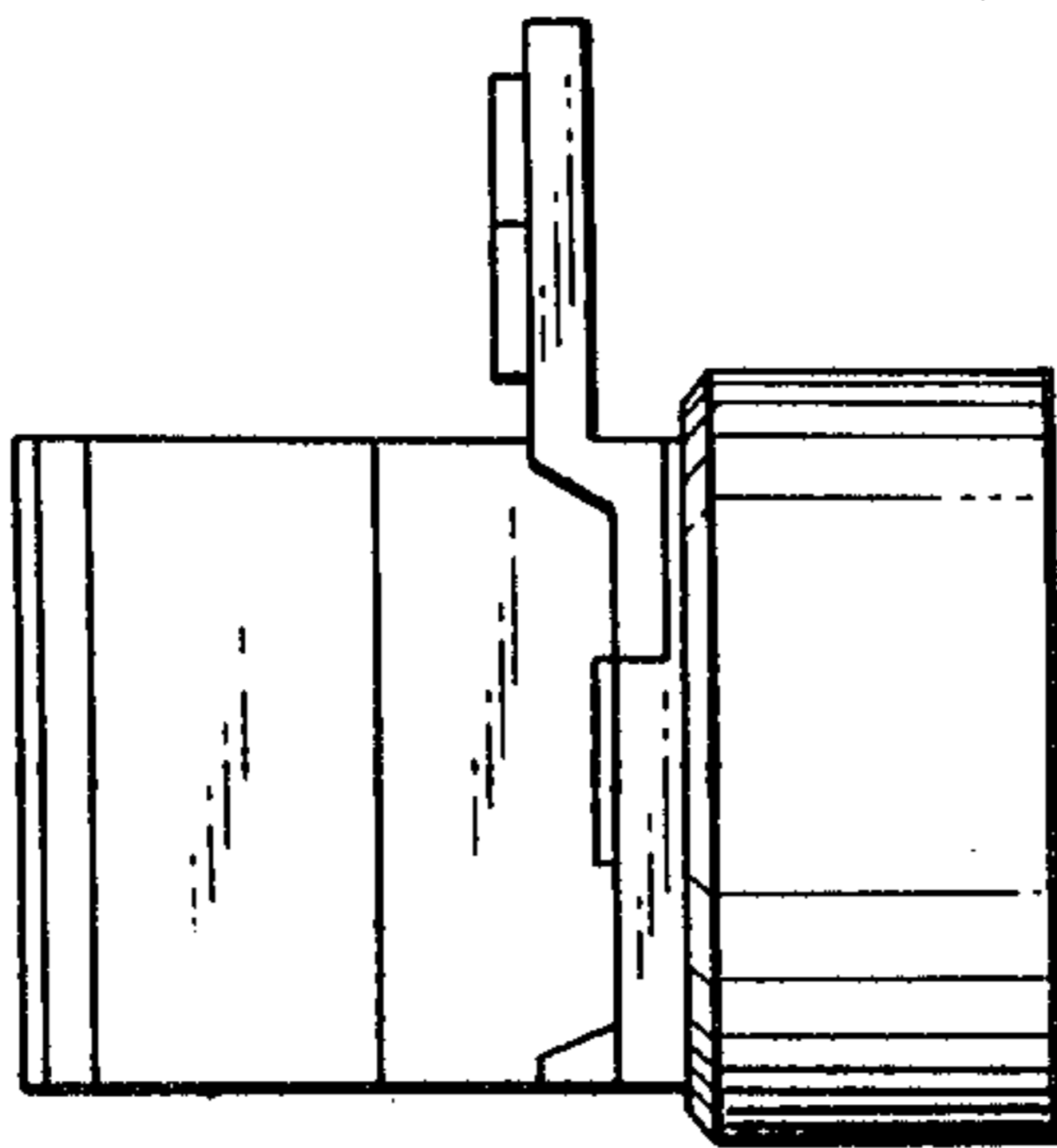


FIG. 4

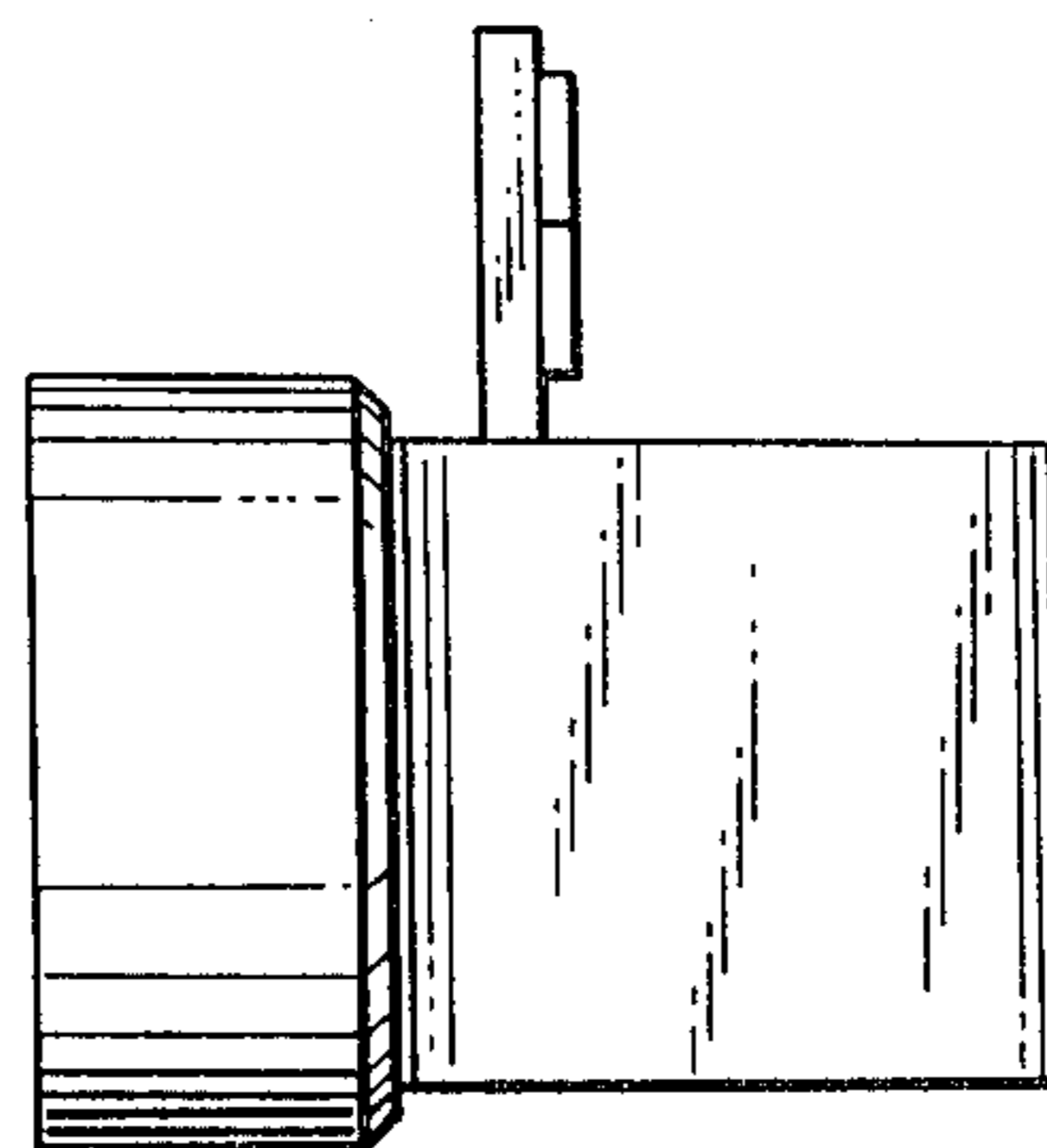


FIG. 5

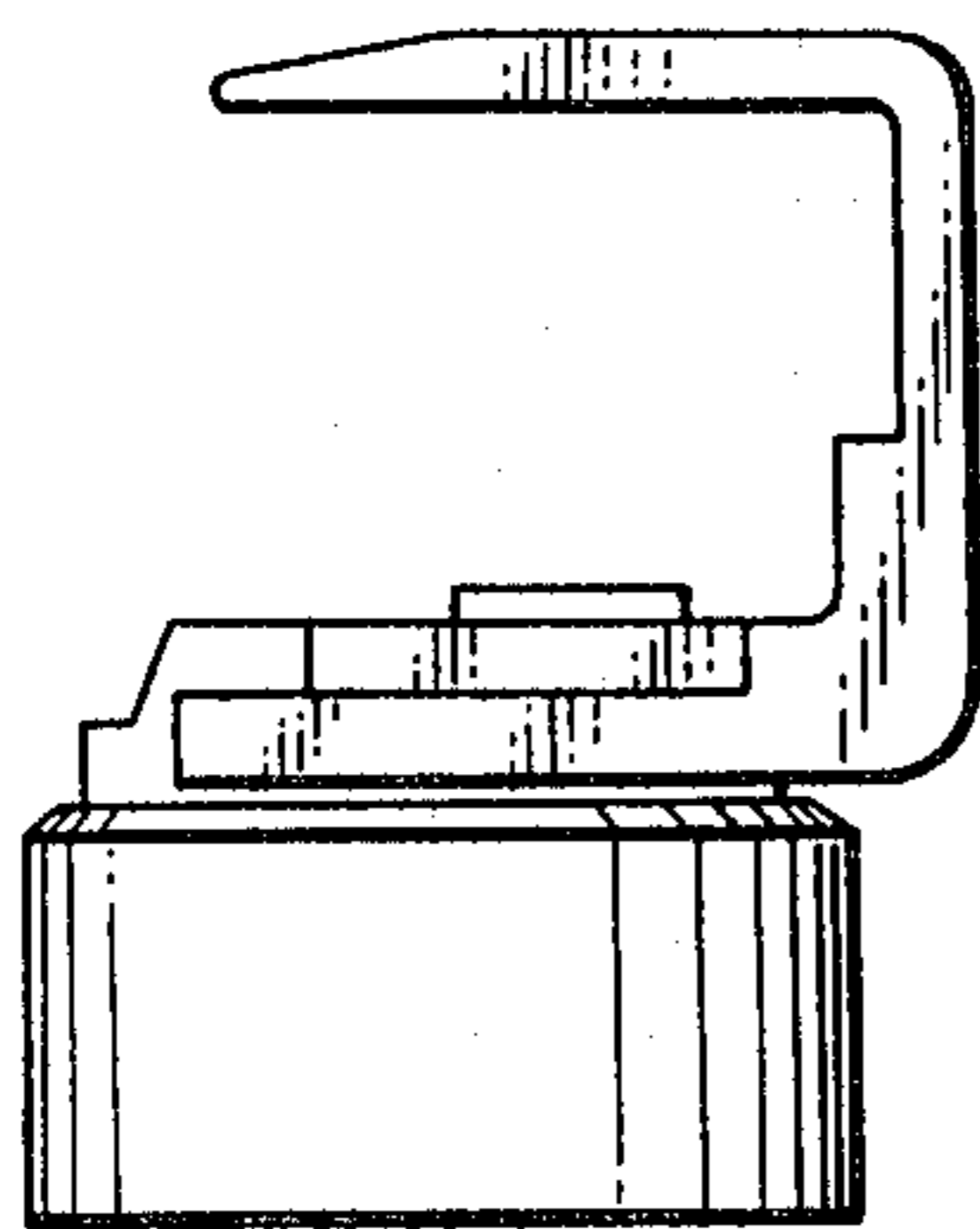


FIG. 6

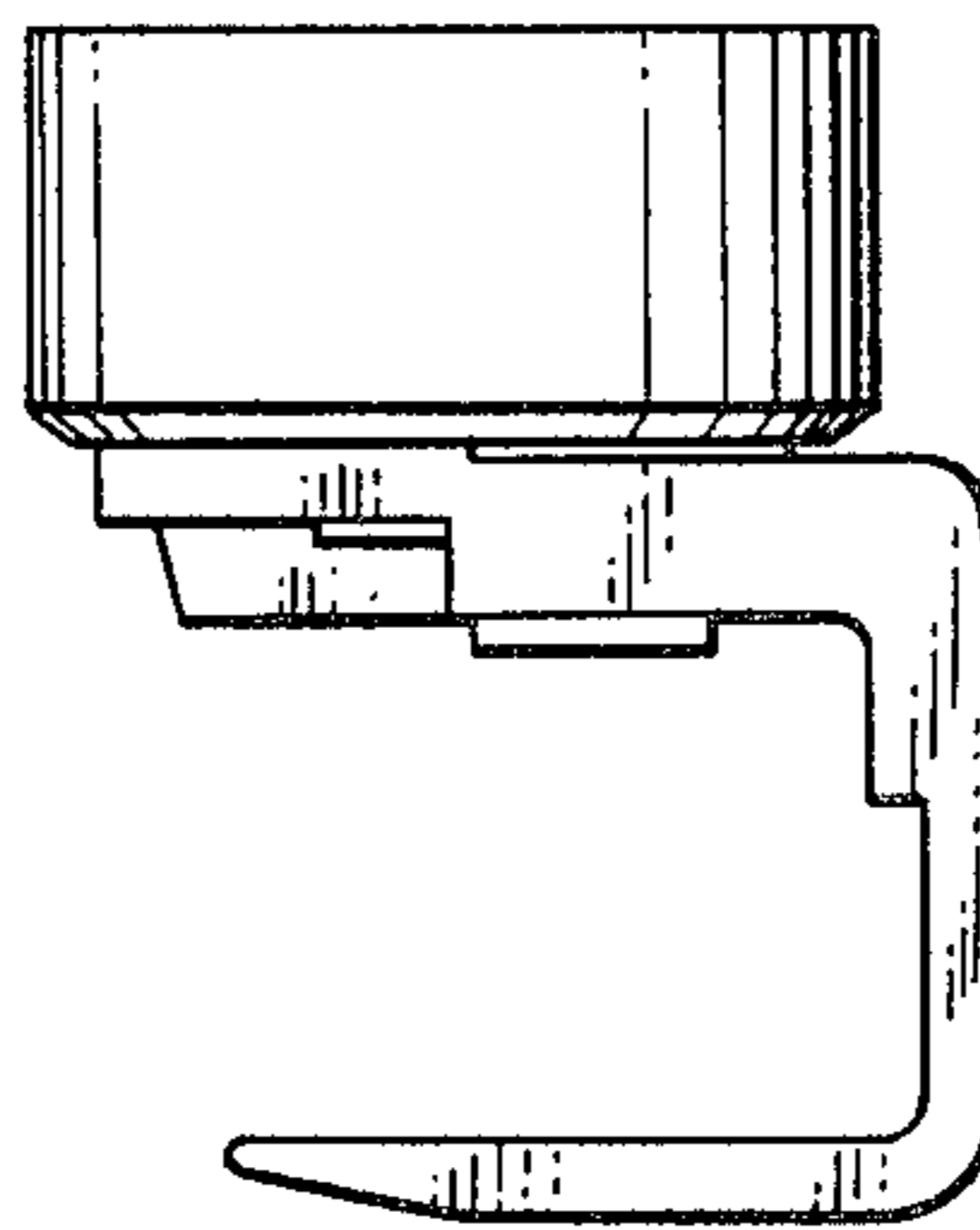


FIG. 7

