

[54] PORTABLE COMBINED REAMING AND SEAT COUNTERBORING TOOL HOLDER

[75] Inventor: William H. Astle, Rancho Cordova, Calif.

[73] Assignee: Tri Tool, Inc., Rancho Cordova, Calif.

[\*\*] Term: 14 Years

[21] Appl. No.: 358,709

[22] Filed: Mar. 16, 1982

[52] U.S. Cl. .... D15/140

[58] Field of Search ..... D15/138, 139, 140; 82/4 C, 4 R, 20; 408/126, 127

[56] References Cited

U.S. PATENT DOCUMENTS

3,712,174	1/1973	Cranfield	82/4 C
4,180,358	12/1979	Uribe	82/4 C
4,364,250	12/1982	Astle	82/4 C

4,411,178 10/1983 Wachs et al. .... 82/4 R

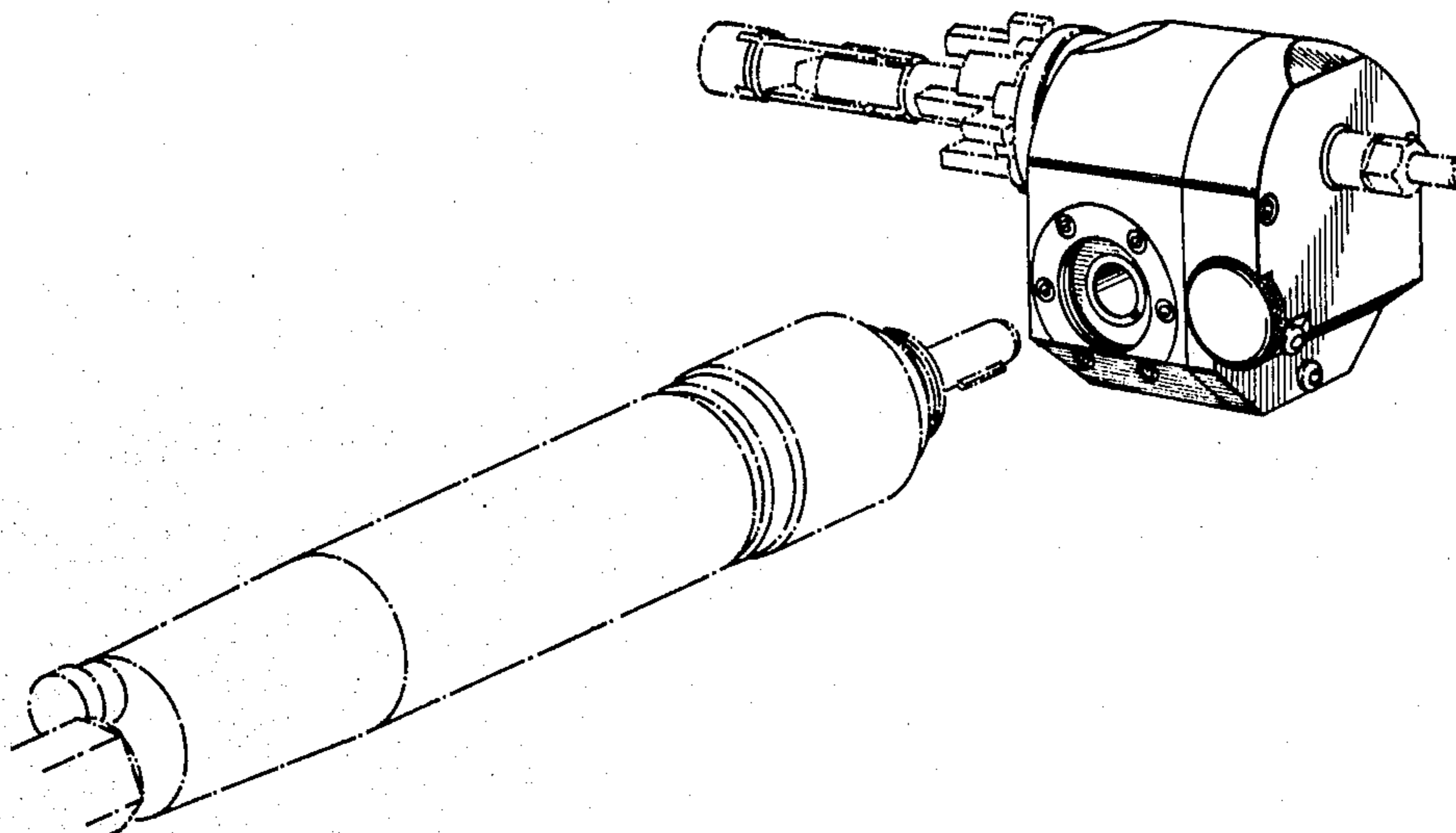
Primary Examiner—Wallace R. Burke  
Assistant Examiner—Suzanne N. Gitlin  
Attorney, Agent, or Firm—Bacon & Thomas

[57] CLAIM

The ornamental design for a portable combined reaming and seat counterboring tool holder, as shown and described.

DESCRIPTION

FIG. 1 is a side elevational view of a portable combined reaming and seat counterboring tool holder showing my new design;  
FIG. 2 is a top plan view thereof;  
FIG. 3 is a side elevational view opposite that shown in FIG. 1;  
FIG. 4 is a bottom plan view thereof;  
FIG. 5 is a rear end elevational view thereof;  
FIG. 6 is a front end elevational view thereof;  
FIG. 7 is a perspective view, the broken lines are shown for illustrative purposes only.



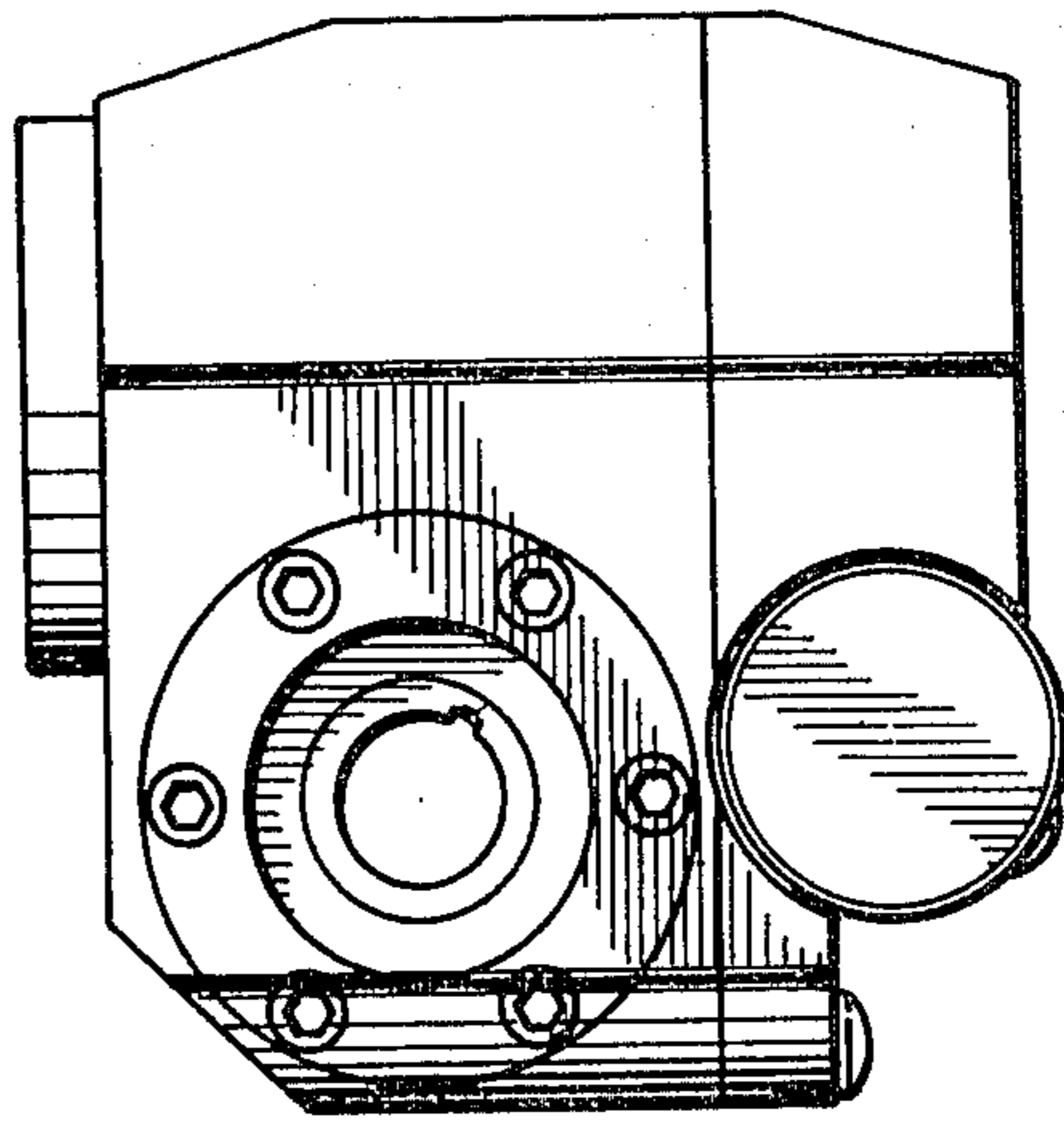


FIG. 1

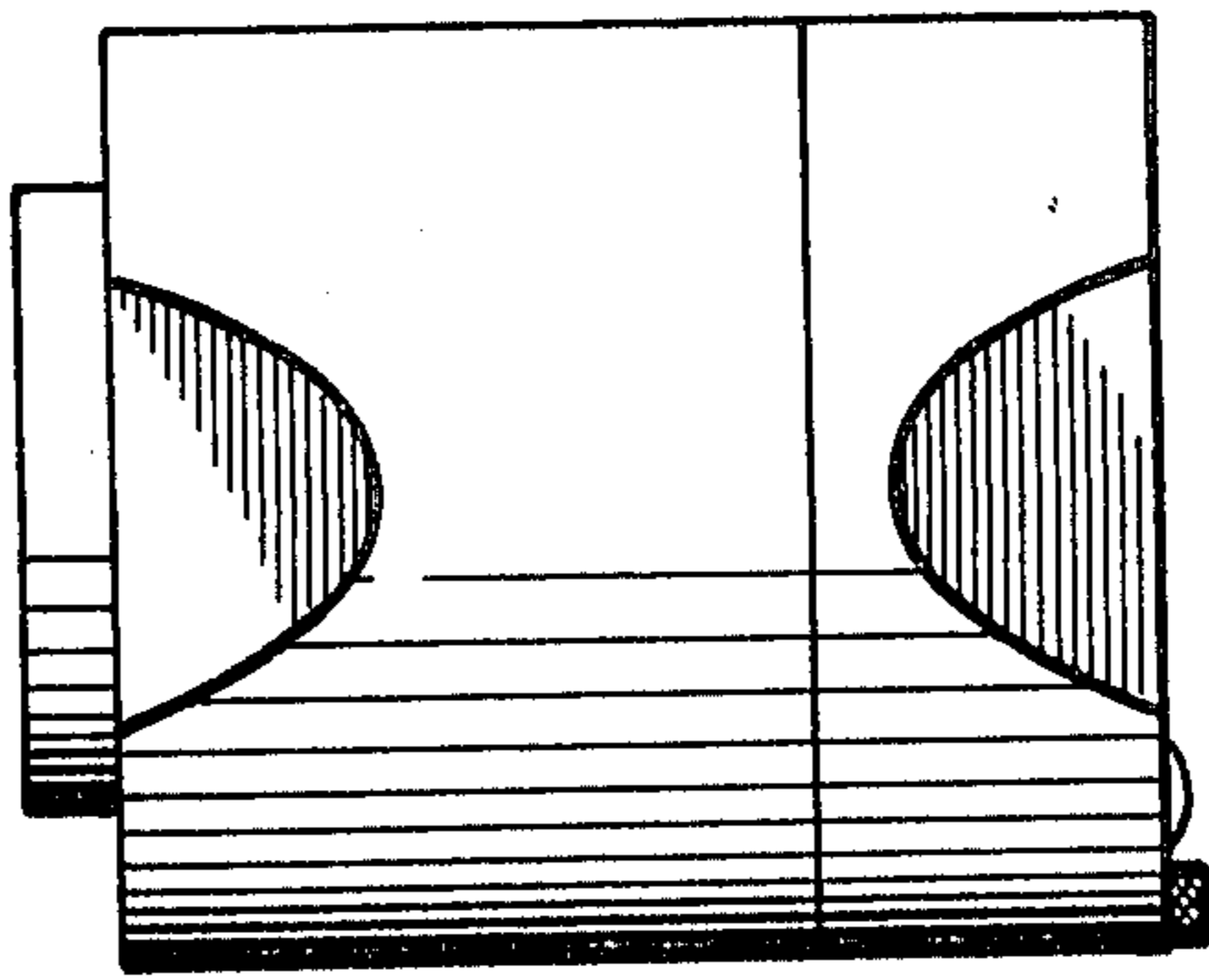


FIG. 2

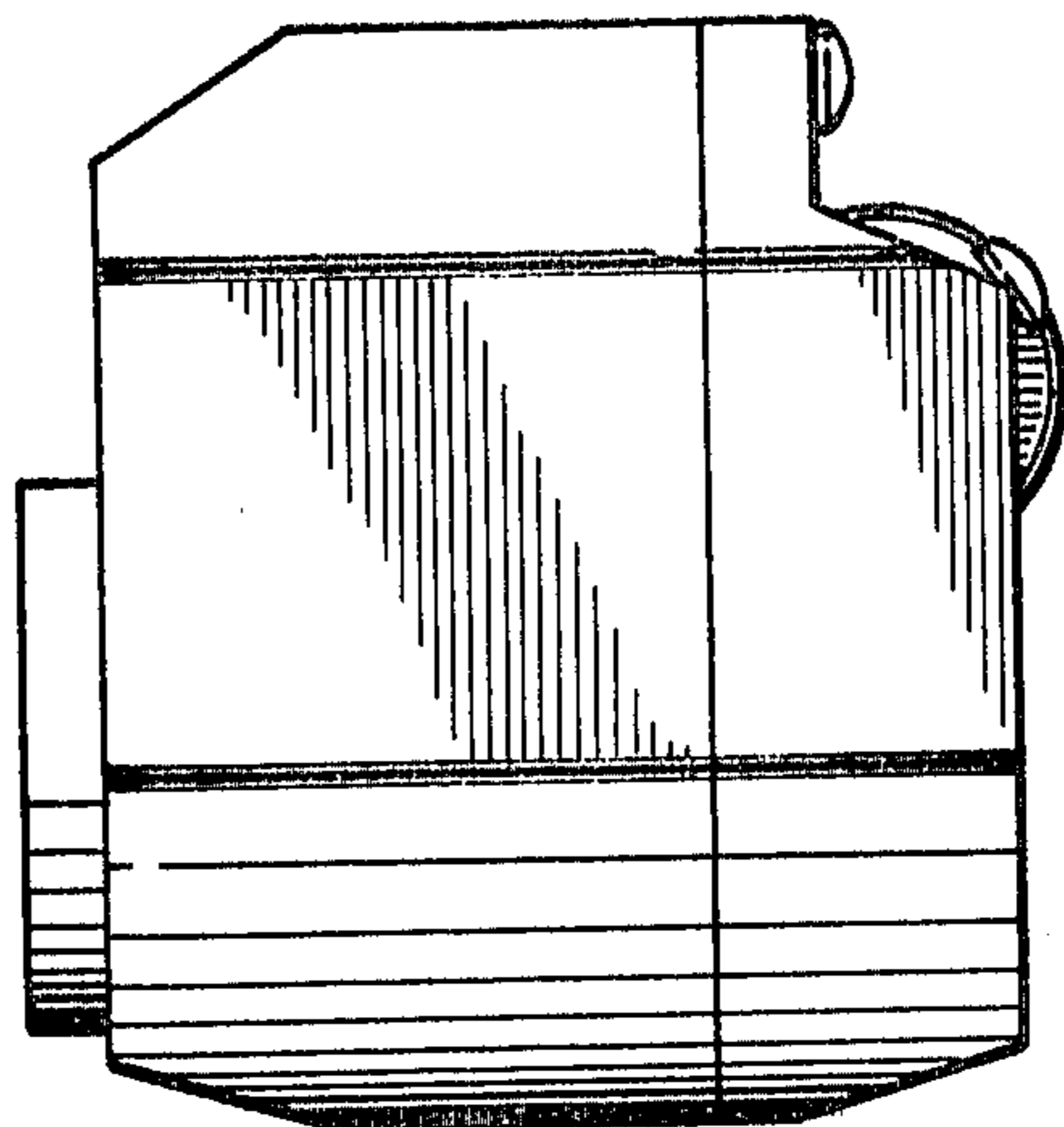


FIG. 3

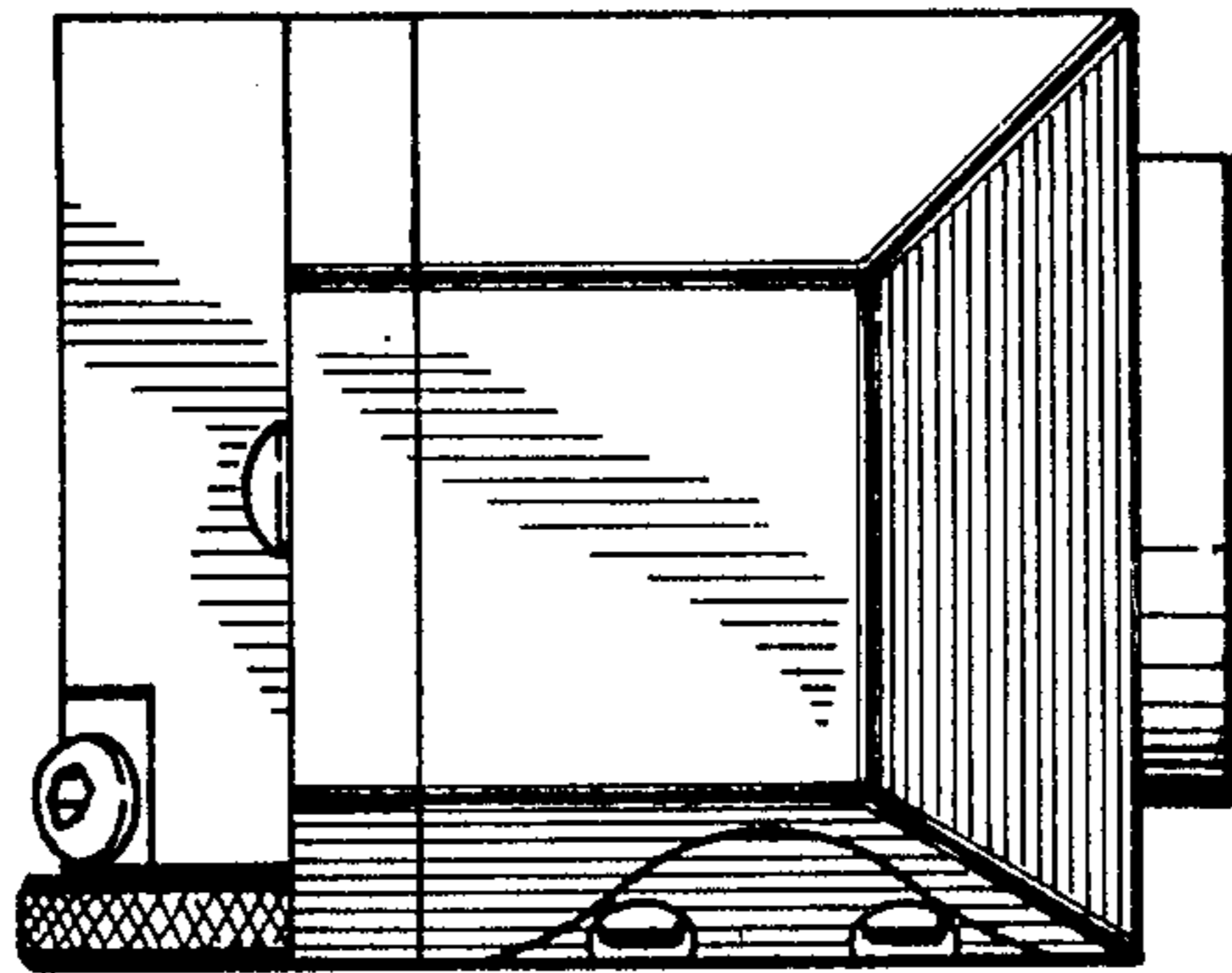


FIG. 4

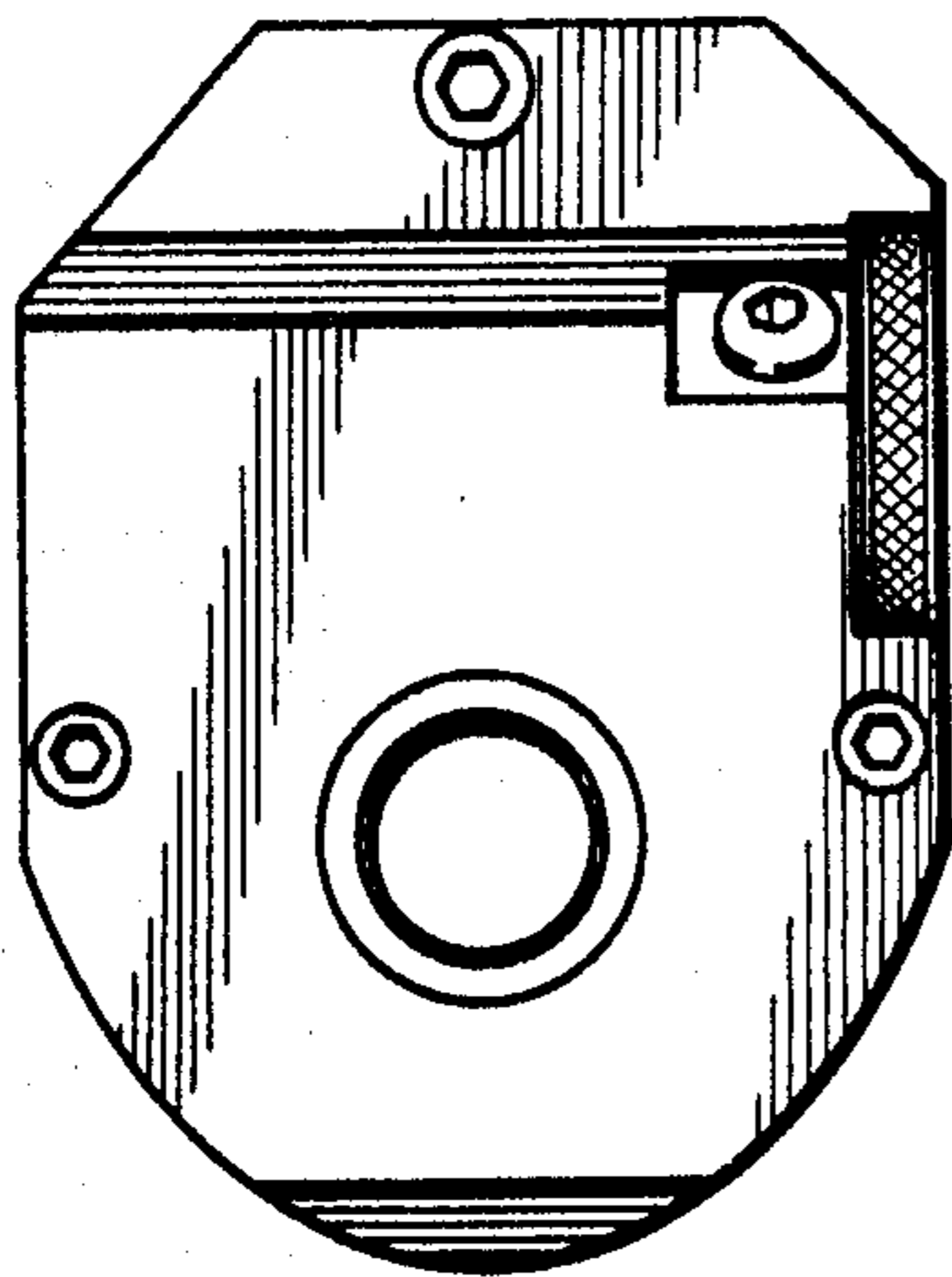


FIG. 5

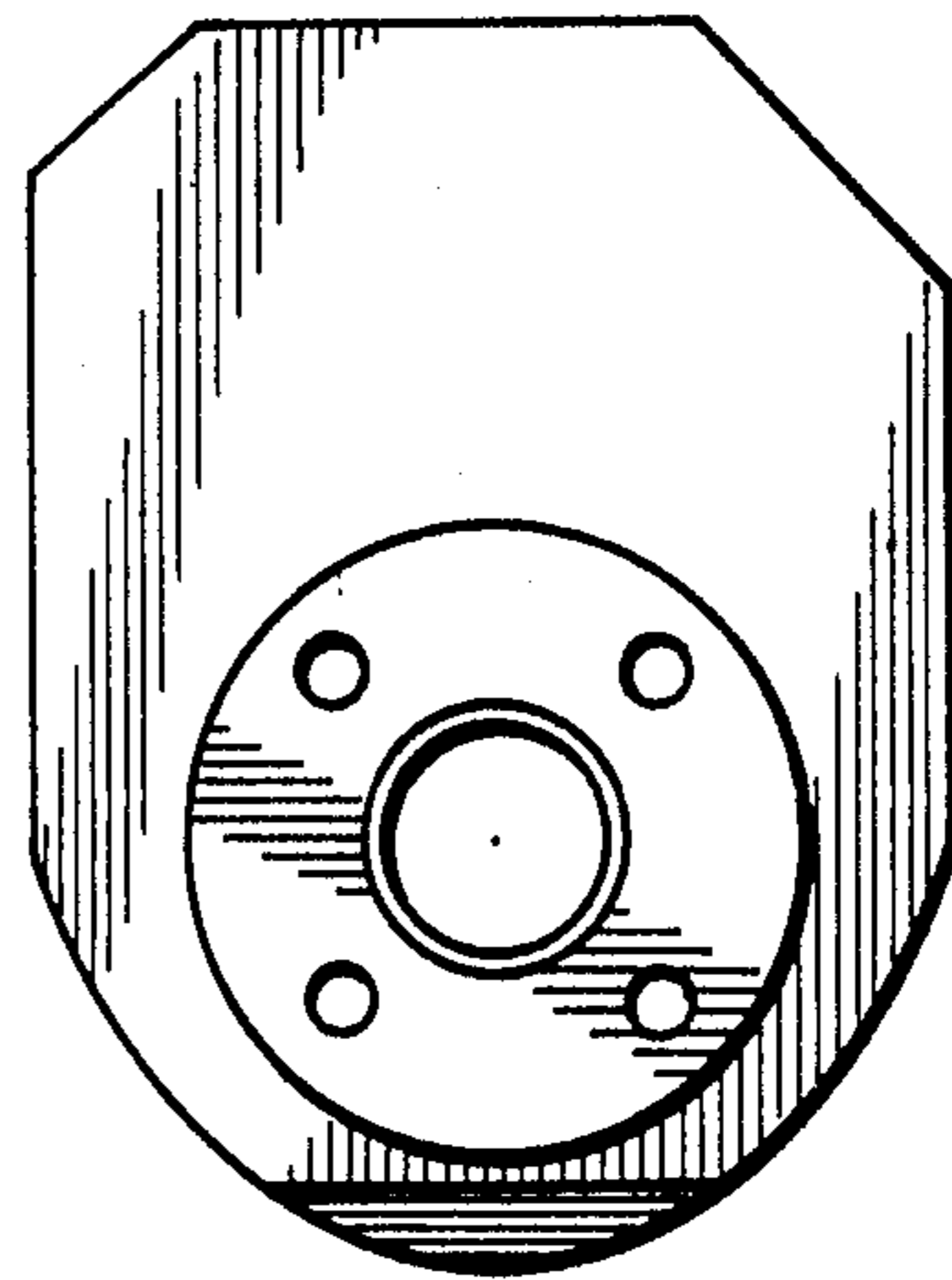


FIG. 6

