

[54] **CUTTING TOOL INSERT**

[75] **Inventor: Burton Cochran, Wooster, Ohio**

[73] **Assignee: The Warner & Swasey Company,
Cleveland, Ohio**

[**] **Term: 14 Years**

[21] **Appl. No.: 432,158**

[22] **Filed: Sep. 30, 1982**

[52] **U.S. Cl. D15/139**

[58] **Field of Search D15/138, 139, 140;
407/66, 67, 102, 113-115**

[56] **References Cited**

U.S. PATENT DOCUMENTS

2,392,001	1/1946	Raper	407/116
2,699,595	1/1955	Gilan	407/67
2,779,992	2/1957	Hayes	407/116
3,654,681	4/1972	Stein	407/115
4,340,325	7/1982	Gowanlock	D15/139

OTHER PUBLICATIONS

Gorse, Jan. 23, 1978, p. 1, Carbide Cutting Tools, all.

Primary Examiner—Wallace R. Burke
Assistant Examiner—Suzanne N. Gitlin
Attorney, Agent, or Firm—Howard G. Massung

[57] **CLAIM**

The ornamental design for a cutting tool insert, substantially as shown and described.

DESCRIPTION

FIG. 1 is a perspective view of a cutting tool showing my new design;

FIG. 2 is a right side elevational view, the left side elevational view being identical thereto;

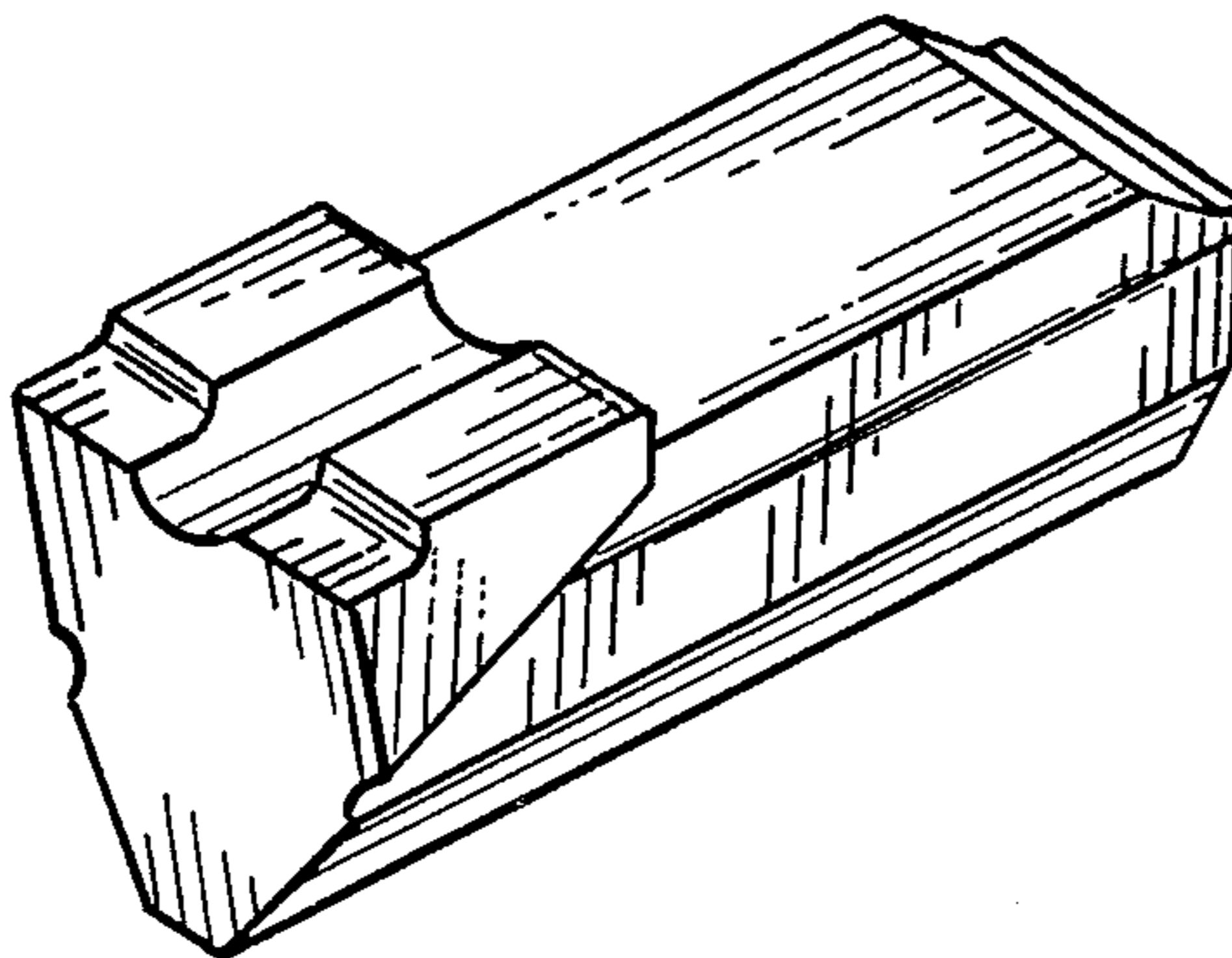
FIG. 3 is a rear end elevational view thereof;

FIG. 4 is a front end elevational view thereof;

FIG. 5 is a top plan view thereof;

FIG. 6 is a bottom plan view thereof.

The left side view, which is not shown, is similar to the right side view shown in FIG. 2.



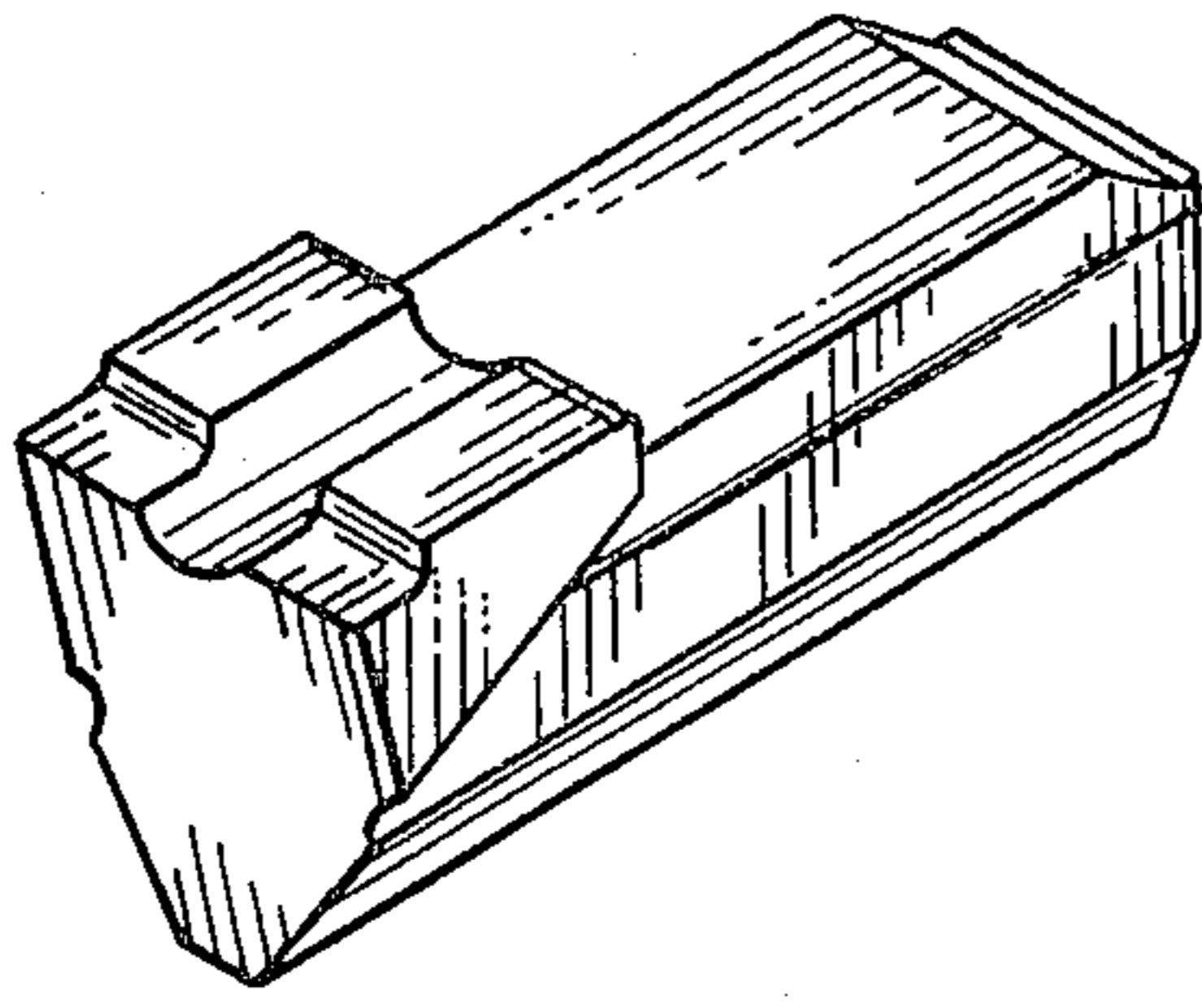


FIG. 1

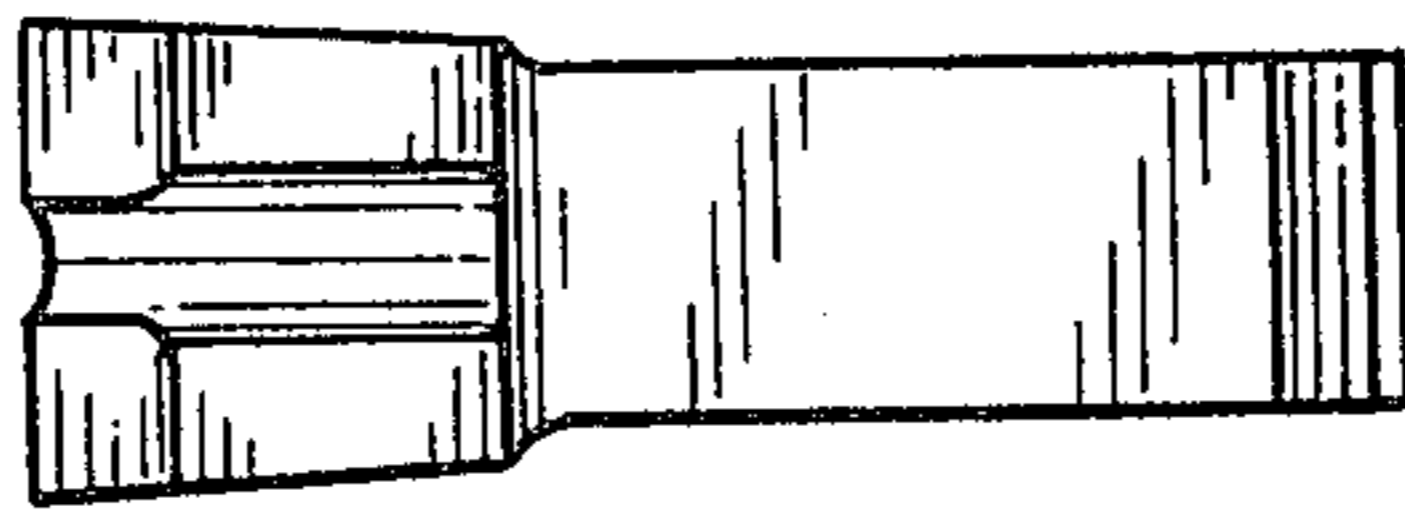


FIG. 5



FIG. 4

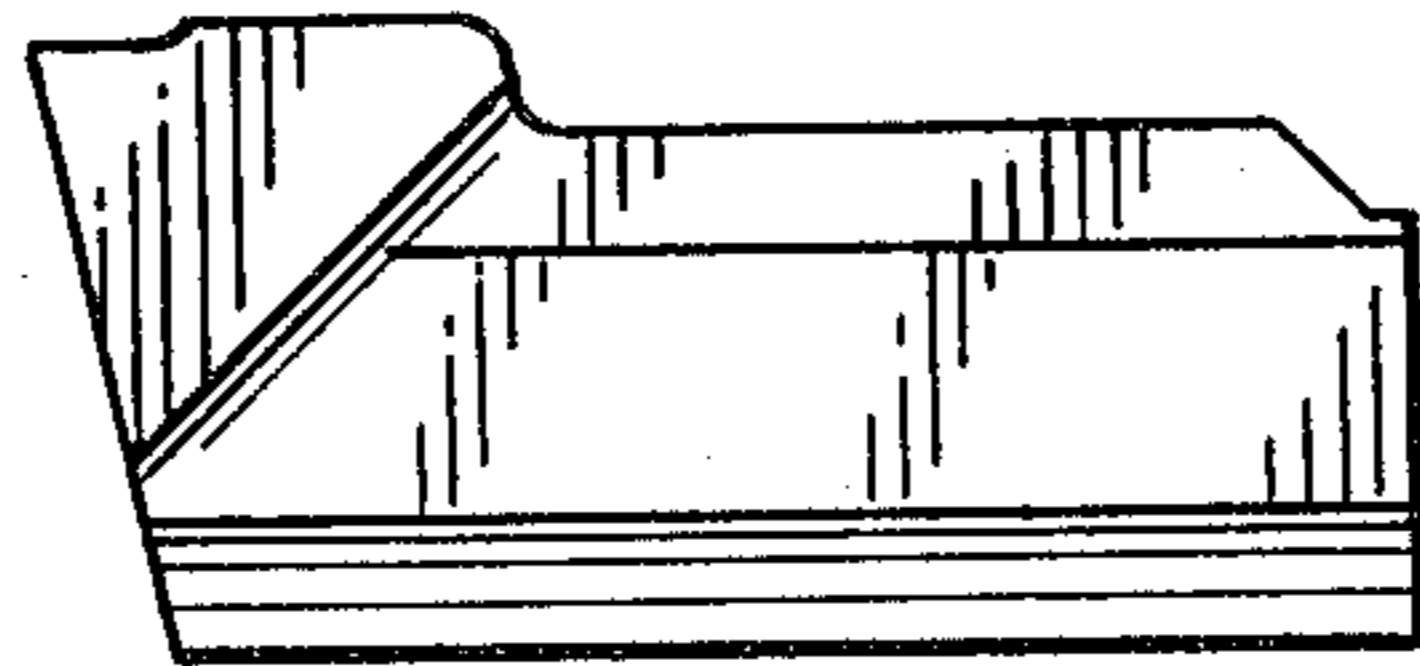


FIG. 2

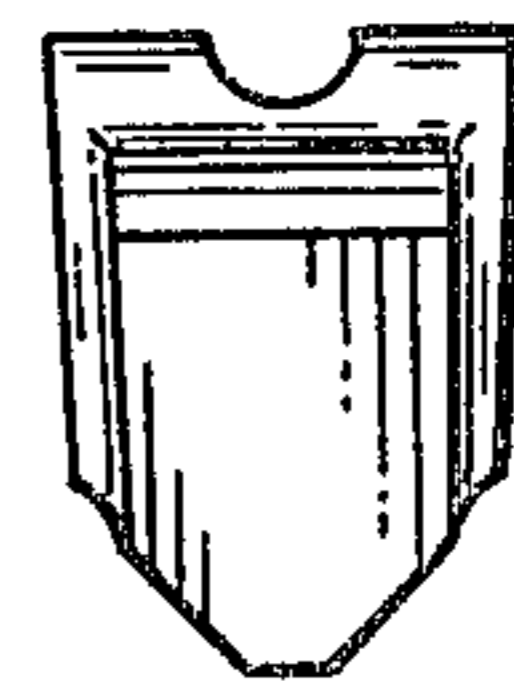


FIG. 3

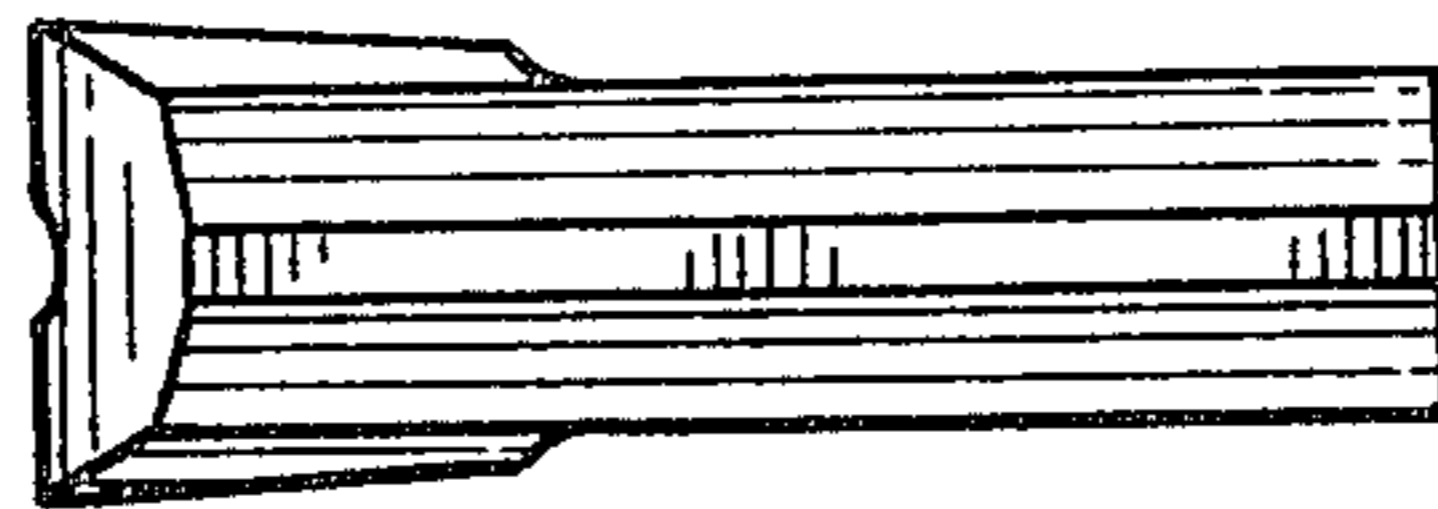


FIG. 6