

[54] TELEPHONE CONTROL UNIT

[75] Inventor: John A. Mahan, Kanata, Canada

[73] Assignee: Mitel Corporation, Kanata, Canada

[**] Term: 14 Years

[21] Appl. No.: 356,609

[22] Filed: Mar. 9, 1982

[30] Foreign Application Priority Data

Sep. 15, 1981 [CA] Canada 15-09-81-2

[52] U.S. Cl. D14/59; D14/52; D14/95; D14/68; D13/38

[58] Field of Search 179/100 R, 100 D, 100 L, 179/178, 179, 5 R, 18 B, 2 A, 37, 99 A, 18 AB; D14/53, 58, 18 B; D13/38

[56] References Cited

U.S. PATENT DOCUMENTS

D. 244,867 6/1977 Huntington et al. D14/68

D. 247,434	3/1978	Hampf	D14/68
D. 264,080	4/1982	Iwata	D14/52
D. 269,088	5/1983	Genero et al.	D14/95
3,916,103	10/1975	Morrell et al.	179/100 D
4,097,690	6/1978	Kuntz et al.	179/5 R

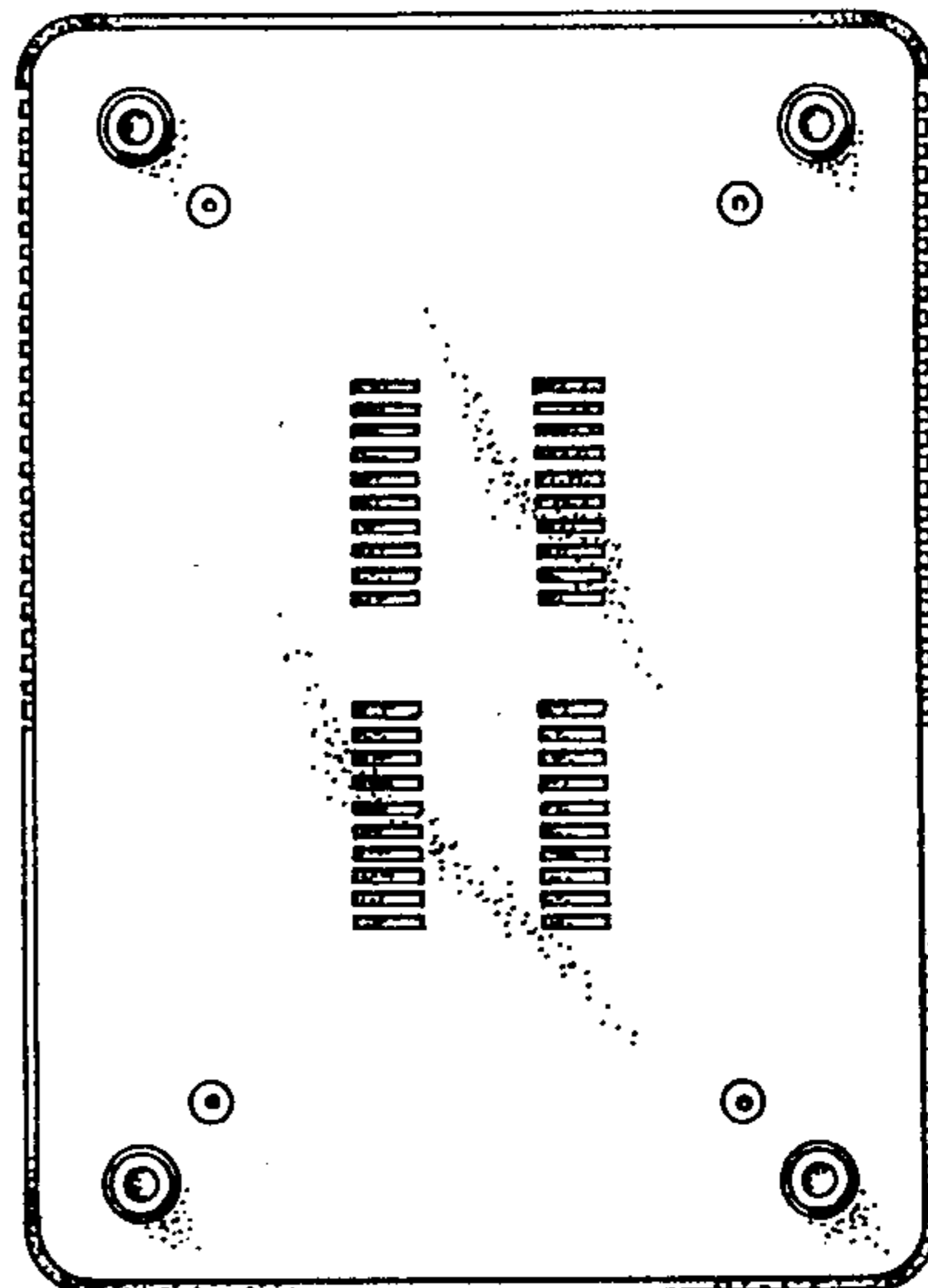
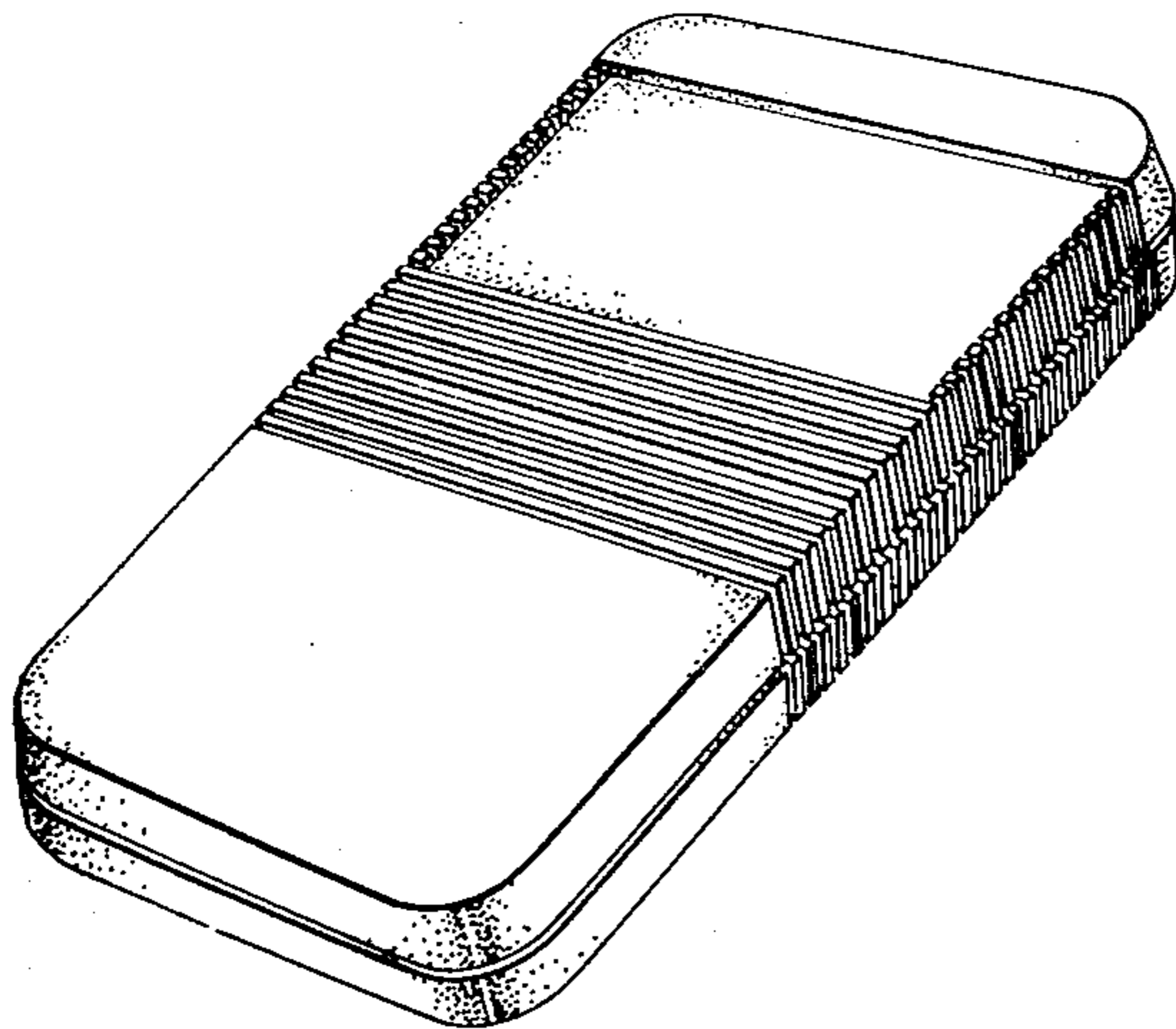
Primary Examiner—Bernard Ansher
Attorney, Agent, or Firm—Alan H. Levine

[57] CLAIM

The ornamental design for a telephone control unit, substantially as shown.

DESCRIPTION

FIG. 1 is a right side elevational view of a telephone control unit showing my new design; FIG. 2 is a left side elevational view thereof; FIG. 3 is a lower end elevational view thereof; FIG. 4 is an upper end elevational view thereof; FIG. 5 is a top plan view thereof; FIG. 6 is a perspective view thereof; and FIG. 7 is a bottom plan view thereof.



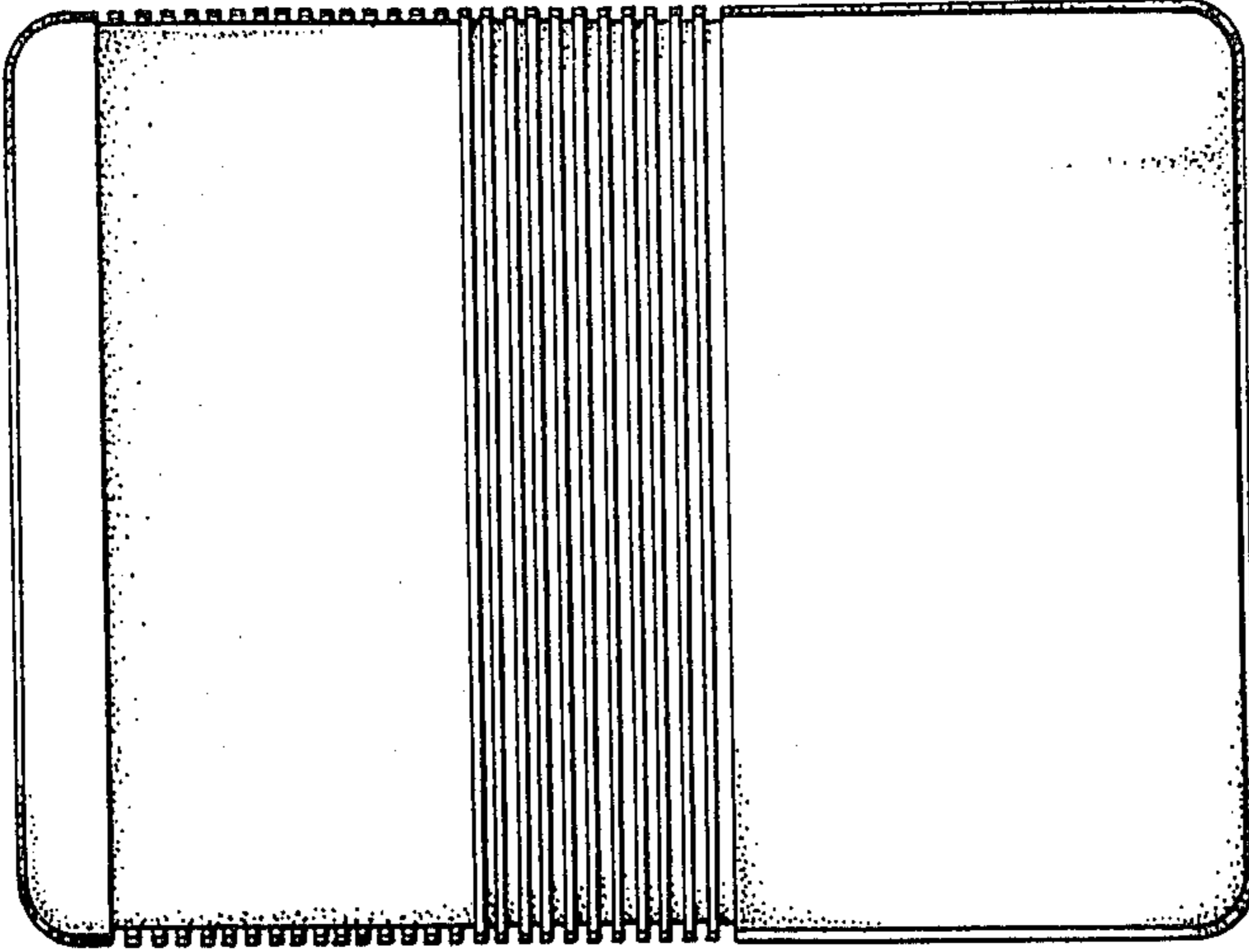


FIG. 5



FIG. 1



FIG. 2



FIG. 4

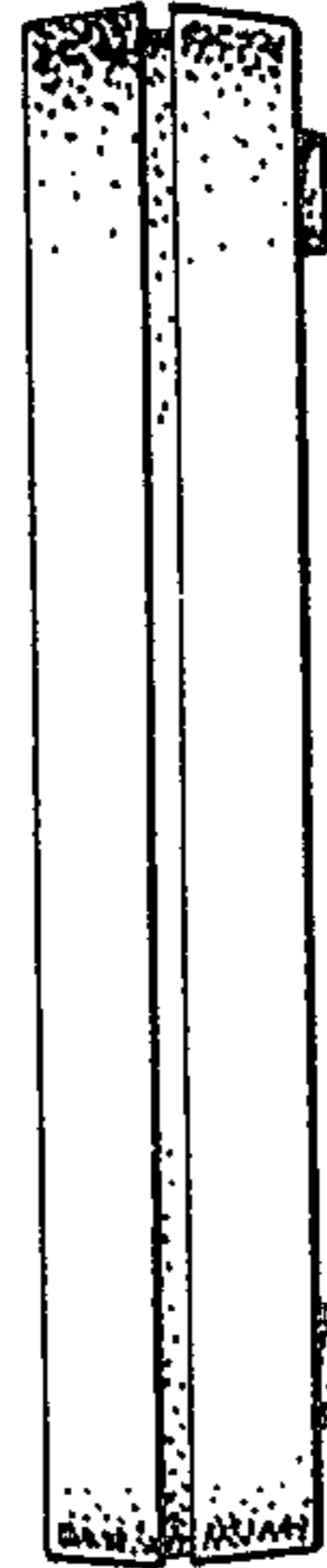


FIG. 3

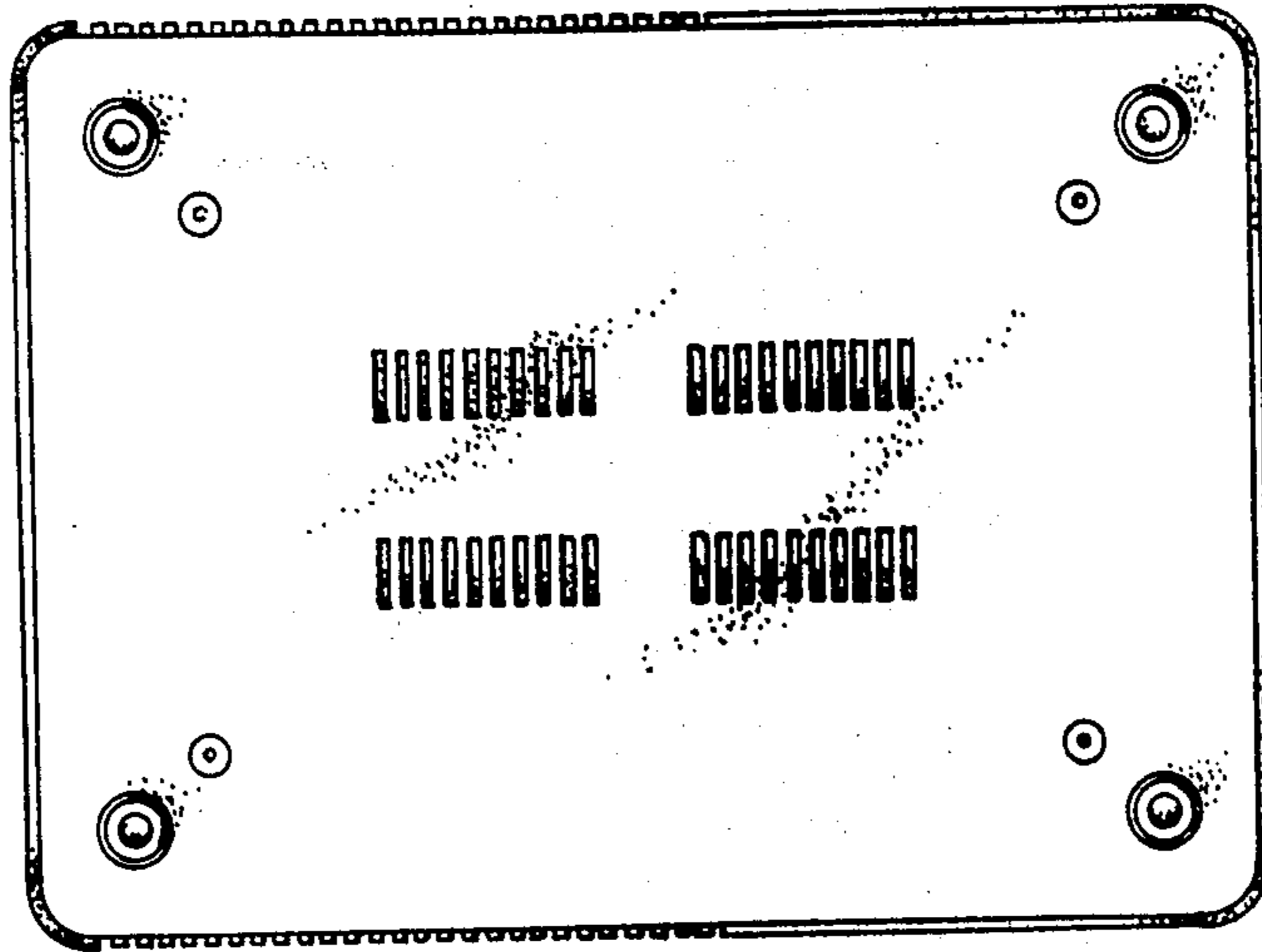


FIG. 7

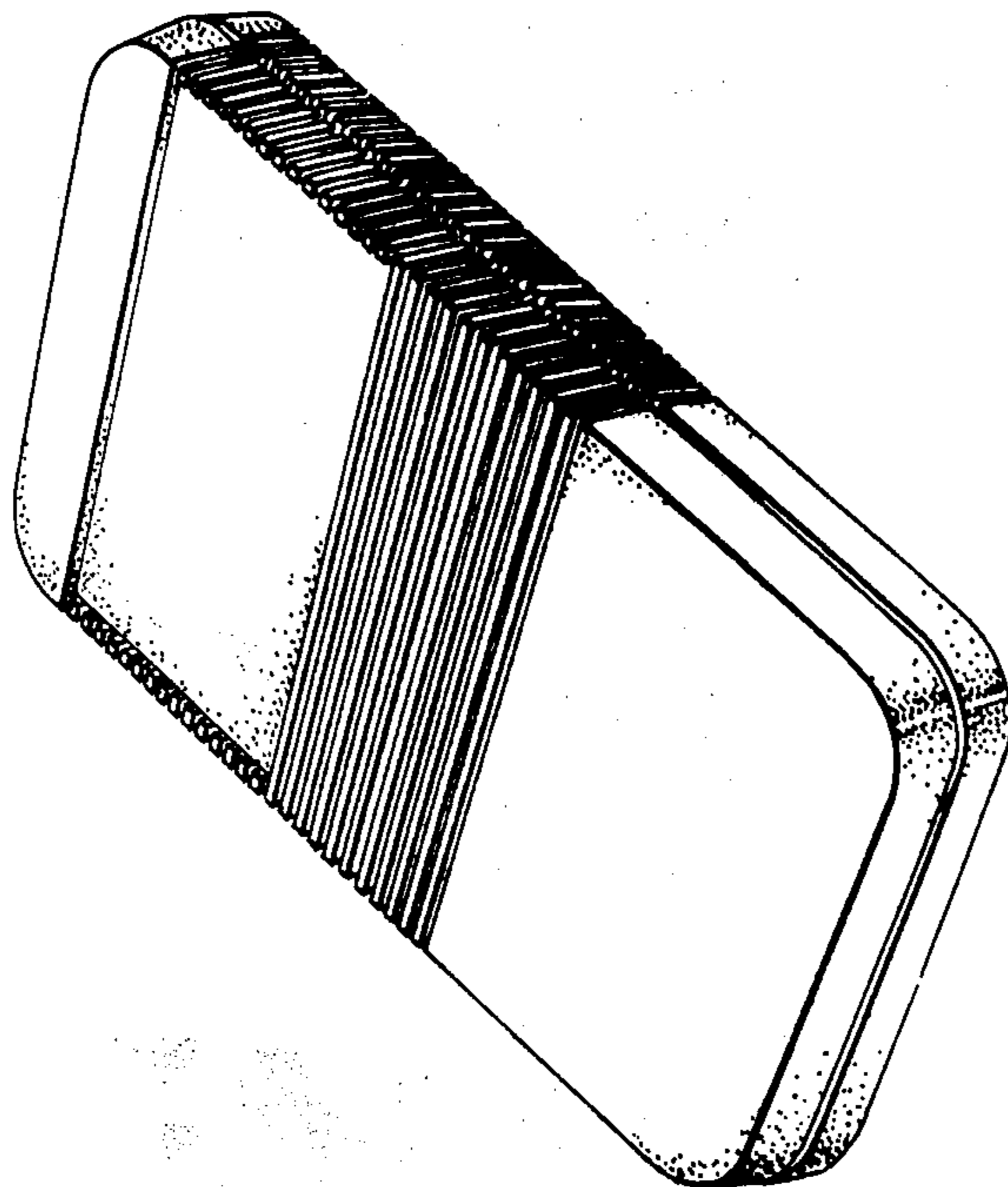


FIG. 6