

United States Patent [19]

Humphreys

[11] Patent Number: **Des. 275,748**

[45] Date of Patent: **** Oct. 2, 1984**

[54] **ELECTRICAL CONTACT PLUG**

[75] Inventor: **Michael Humphreys, London, England**

[73] Assignee: **Electrak International Limited, London, England**

[**] Term: **14 Years**

[21] Appl. No.: **345,318**

[22] Filed: **Feb. 3, 1982**

[30] **Foreign Application Priority Data**

Aug. 6, 1981 [GB] United Kingdom 811001841
[52] U.S. Cl. **D13/24**
[58] Field of Search D13/24, 28, 29, 30;
339/20-23, 88 R, 82 R, 91R

[56] **References Cited**

U.S. PATENT DOCUMENTS

D. 247,171 2/1978 Berkenhoff D13/24

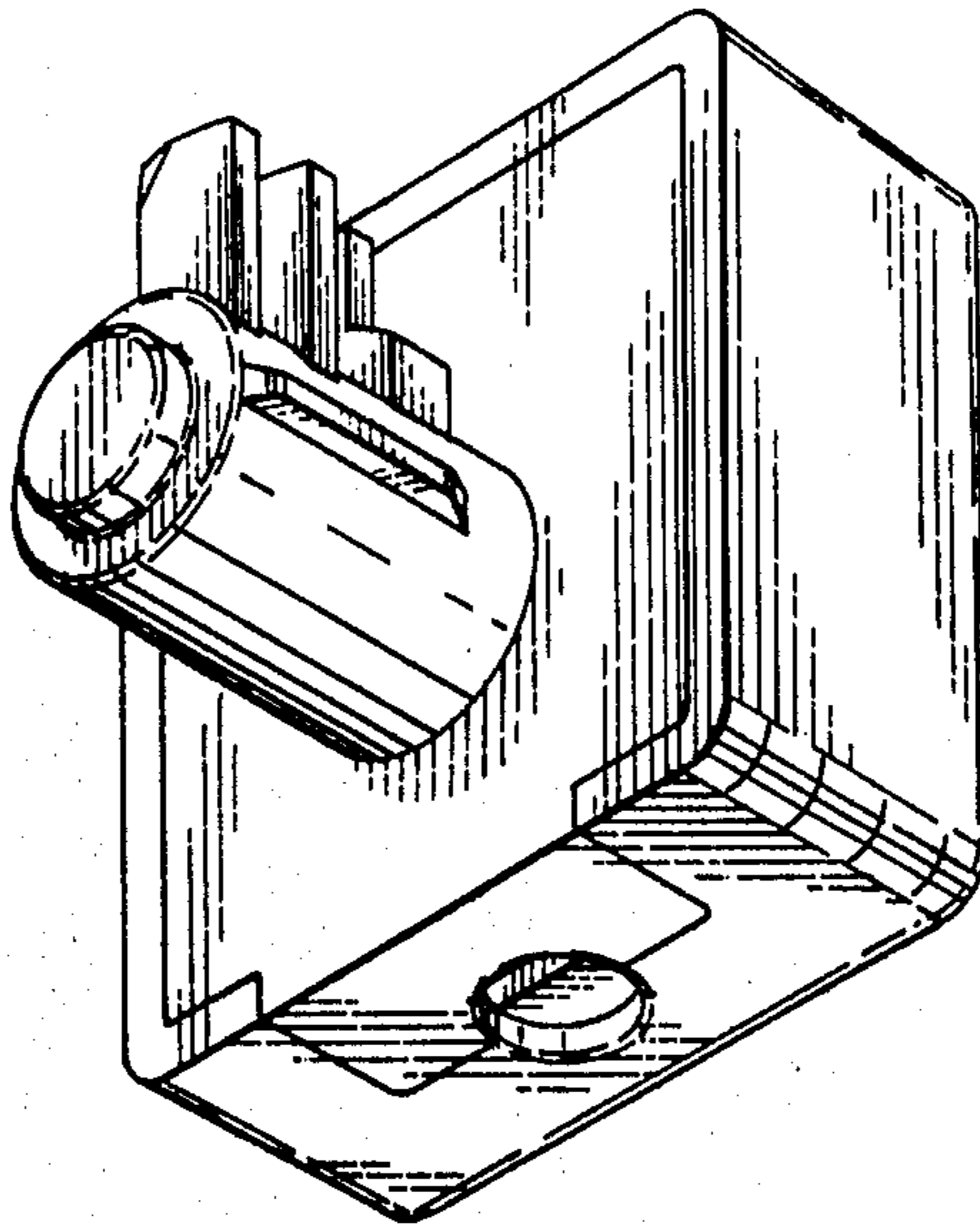
Primary Examiner—Susan J. Lucas
Attorney, Agent, or Firm—Kraas & Young

[57] **CLAIM**

The ornamental design for an electrical contact plug, as shown.

DESCRIPTION

FIG. 1 is a perspective view of the electrical contact plug showing my new design;
FIG. 2 is a side elevation thereof;
FIG. 3 is a top plan view thereof;
FIG. 4 is an end elevation view thereof;
FIG. 5 is a bottom plan view thereof; and
FIG. 6 is a front perspective view thereof.



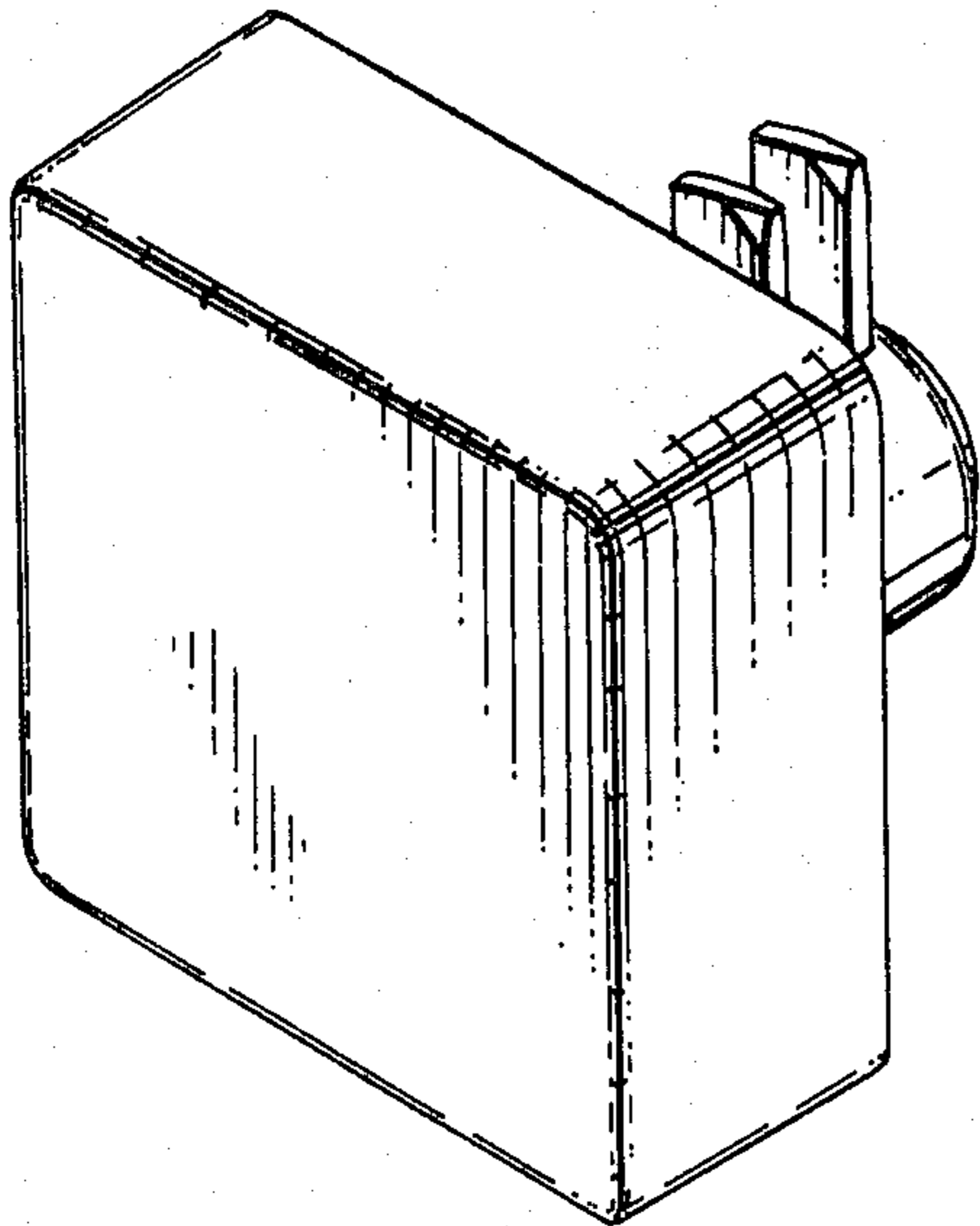


Fig. 1.

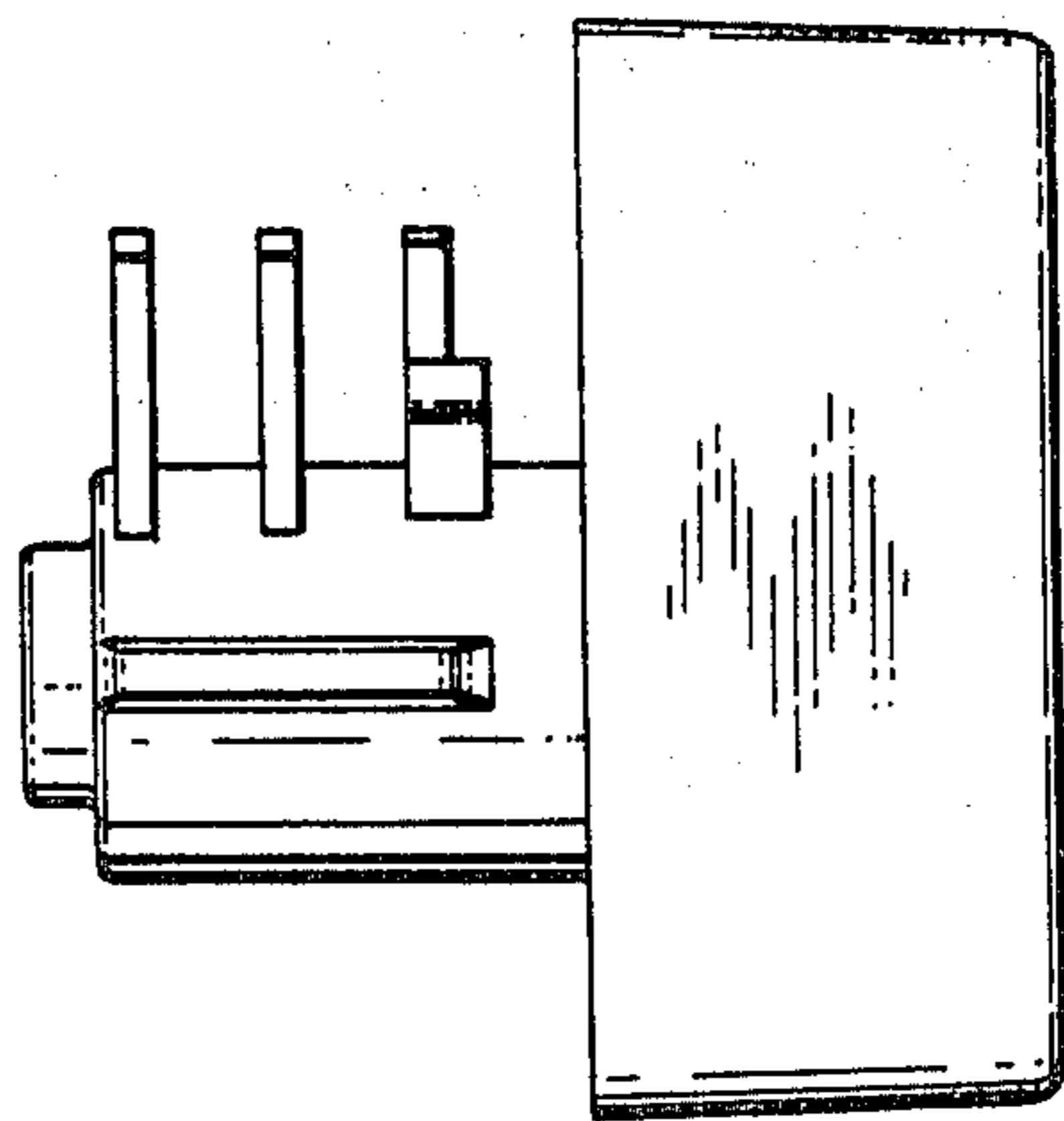


Fig. 2.

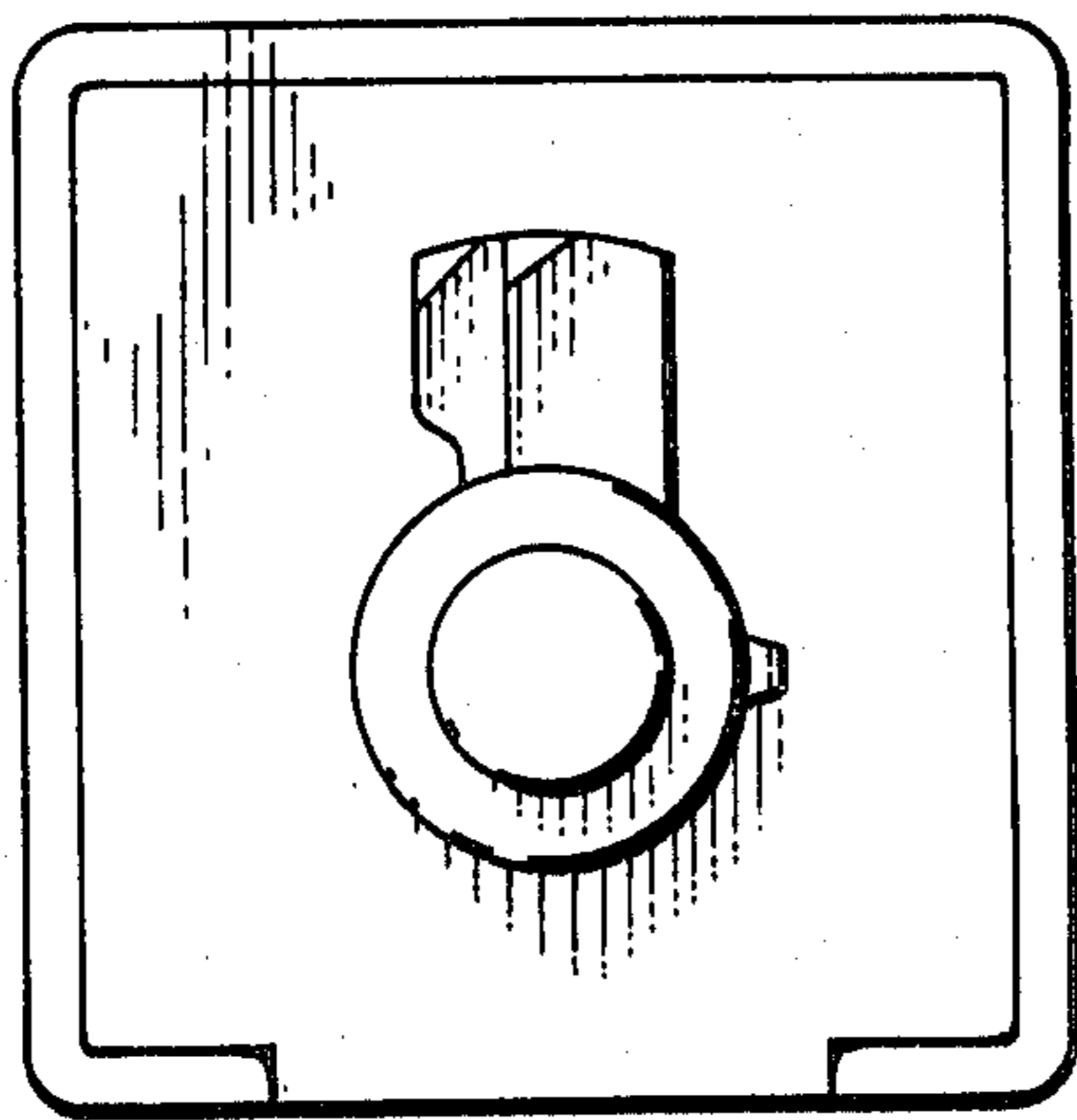


Fig. 4.

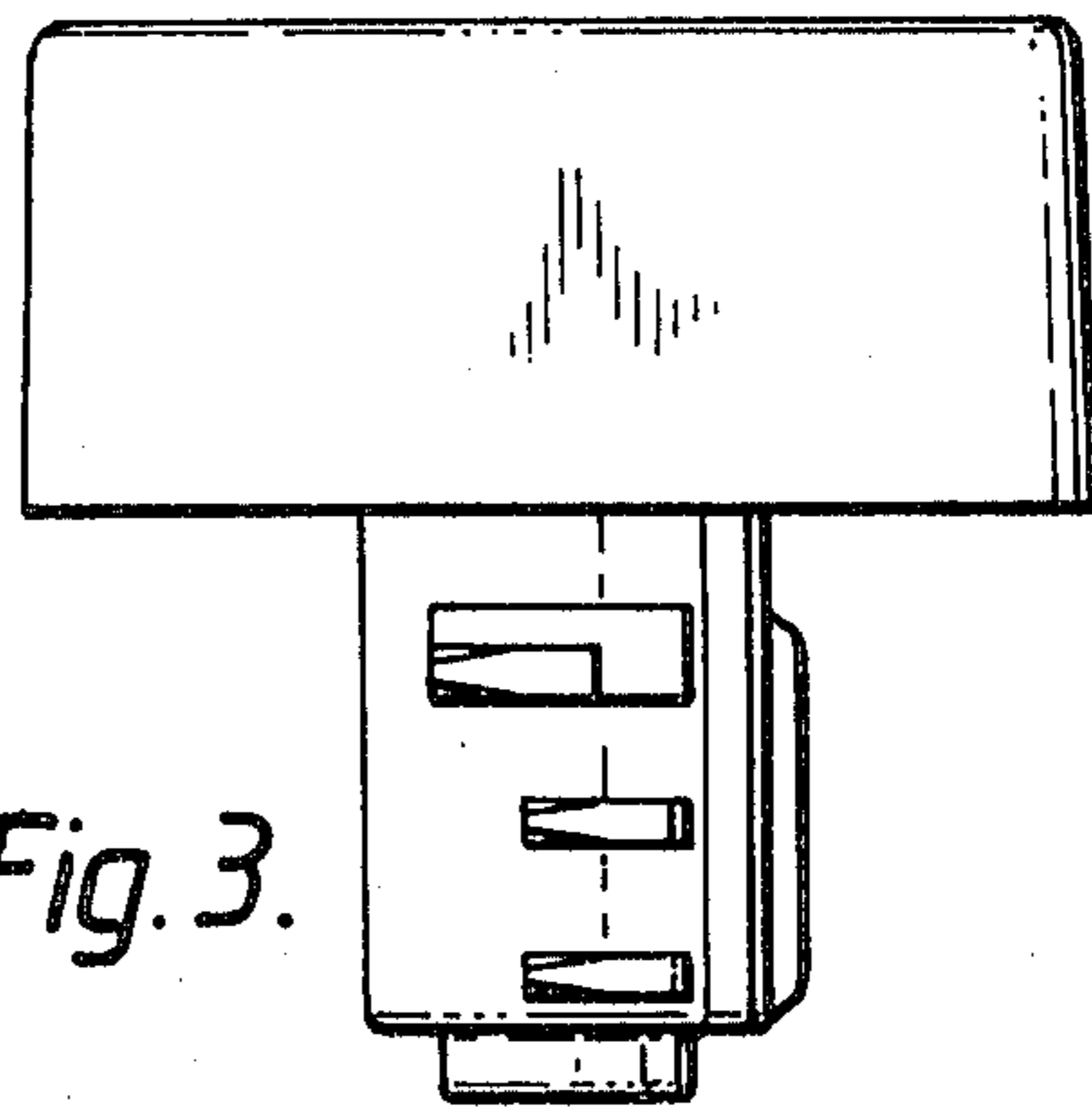


Fig. 3.

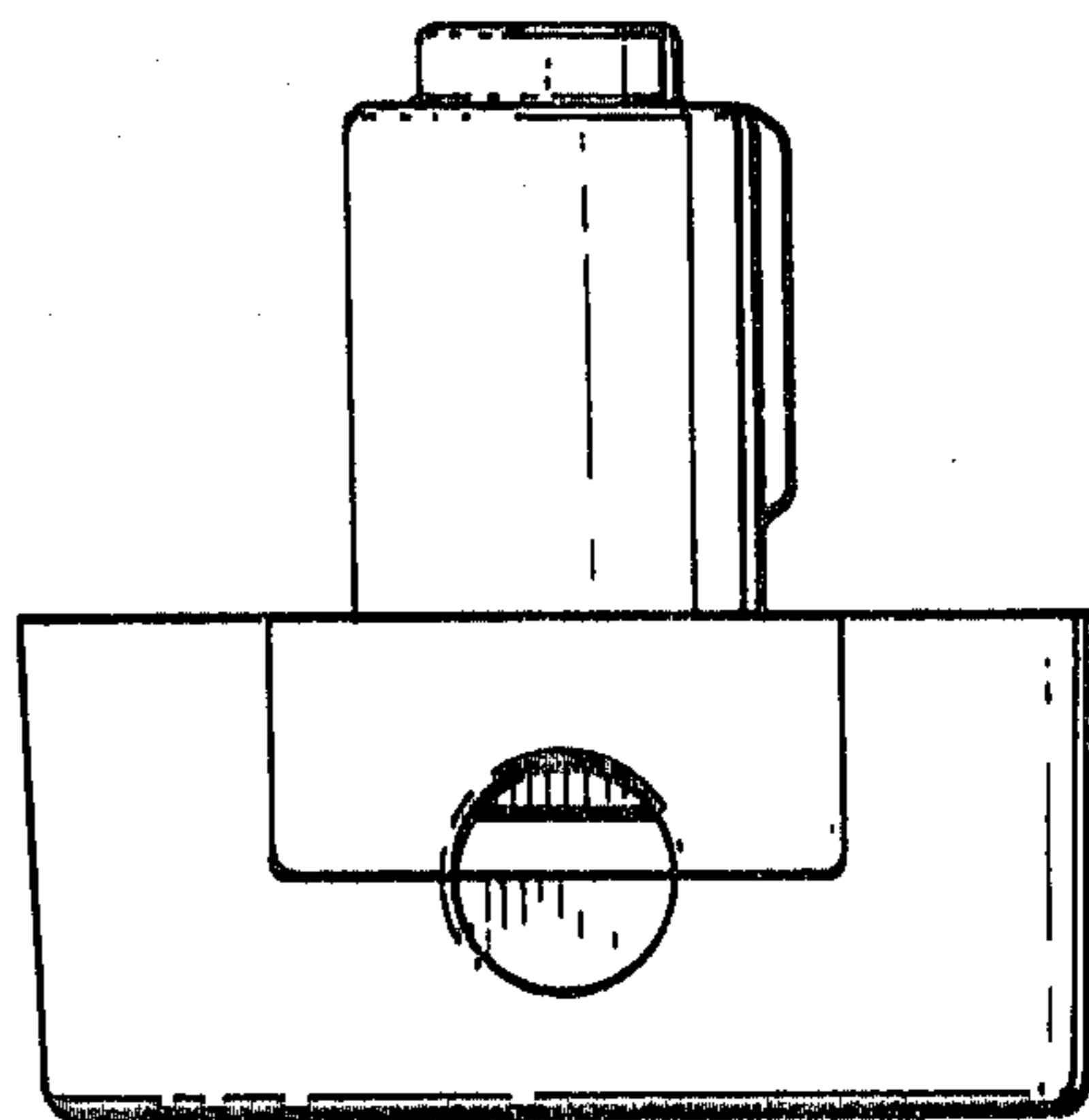


Fig. 5.

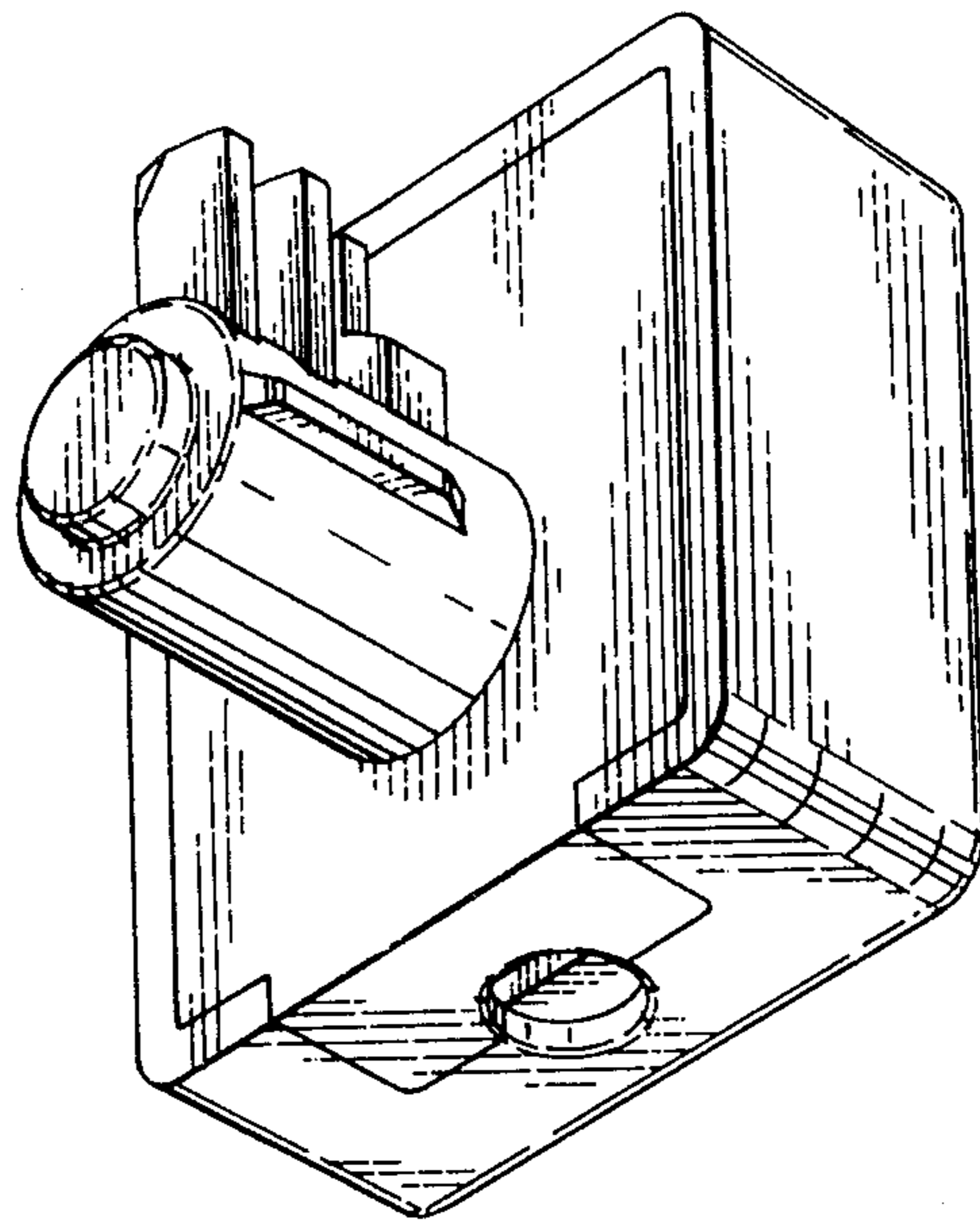


Fig. 6.