

[54] **CONSTRUCTION LINE REEL**

[76] **Inventor: Dwight L. Stoddard, 4011 Audubon Dr., Camino, Calif. 95709**

[**] **Term: 14 Years**

[21] **Appl. No.: 279,502**

[22] **Filed: Jul. 1, 1981**

[52] **U.S. Cl. D8/359**

[58] **Field of Search D8/358, 359**

[56] **References Cited**

U.S. PATENT DOCUMENTS

D. 194,753 3/1963 Haller D8/359
2,896,878 7/1959 Wetzel D8/359 X

Primary Examiner—Catherine E. Kemper

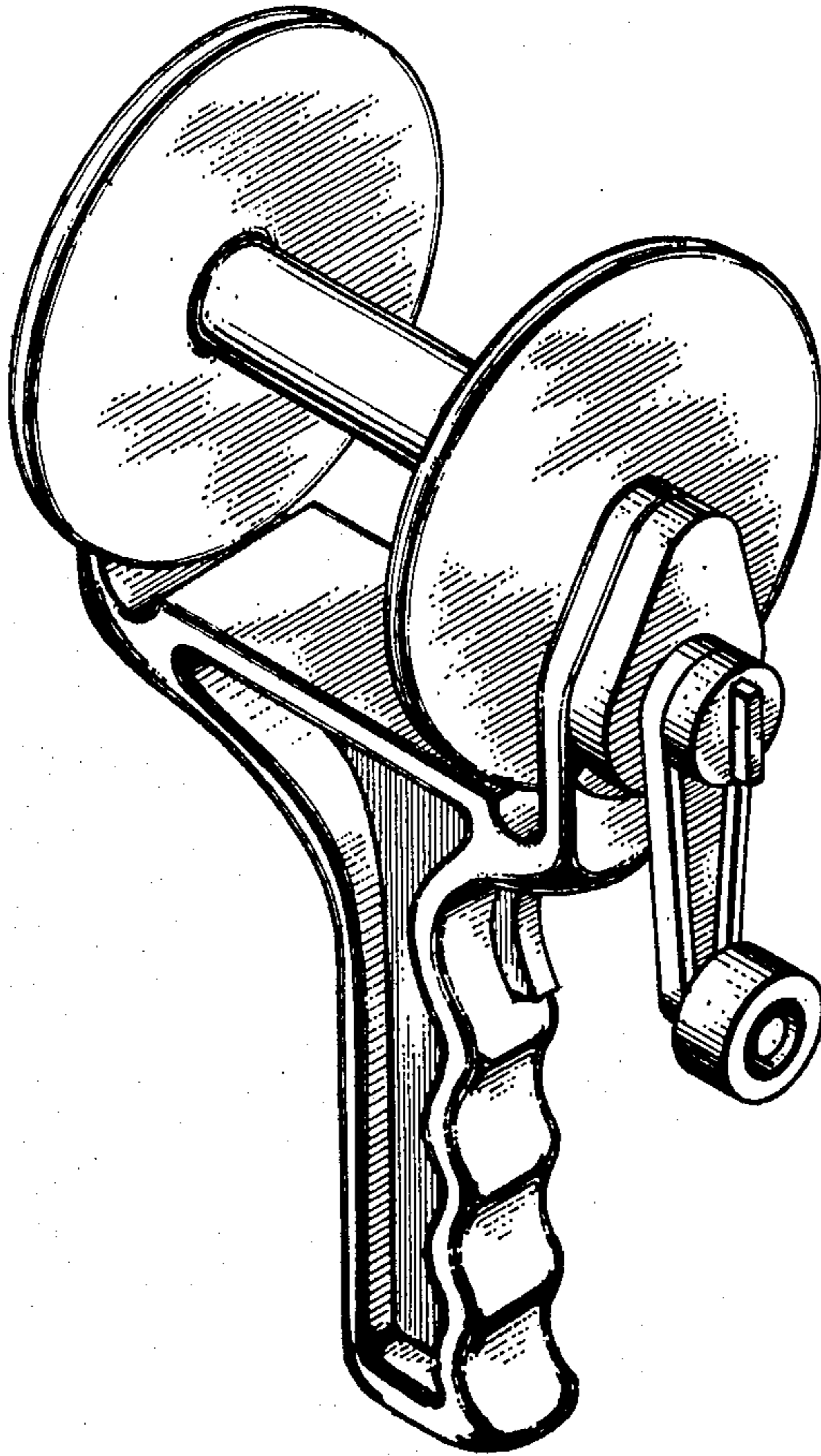
Attorney, Agent, or Firm—Lothrop & West

[57] **CLAIM**

The ornamental design for a construction line reel, as shown.

DESCRIPTION

FIG. 1 is an isometric view of a construction line reel, showing my new design;
FIG. 2 is a front elevational view;
FIG. 3 is an elevational view taken from the left hand end of the article as shown in FIG. 2;
FIG. 4 is a rear elevational view;
FIG. 5 is an elevational view taken from the right hand end of the article as shown in FIG. 2;
FIG. 6 is a top plan view; and,
FIG. 7 is a bottom plan view.



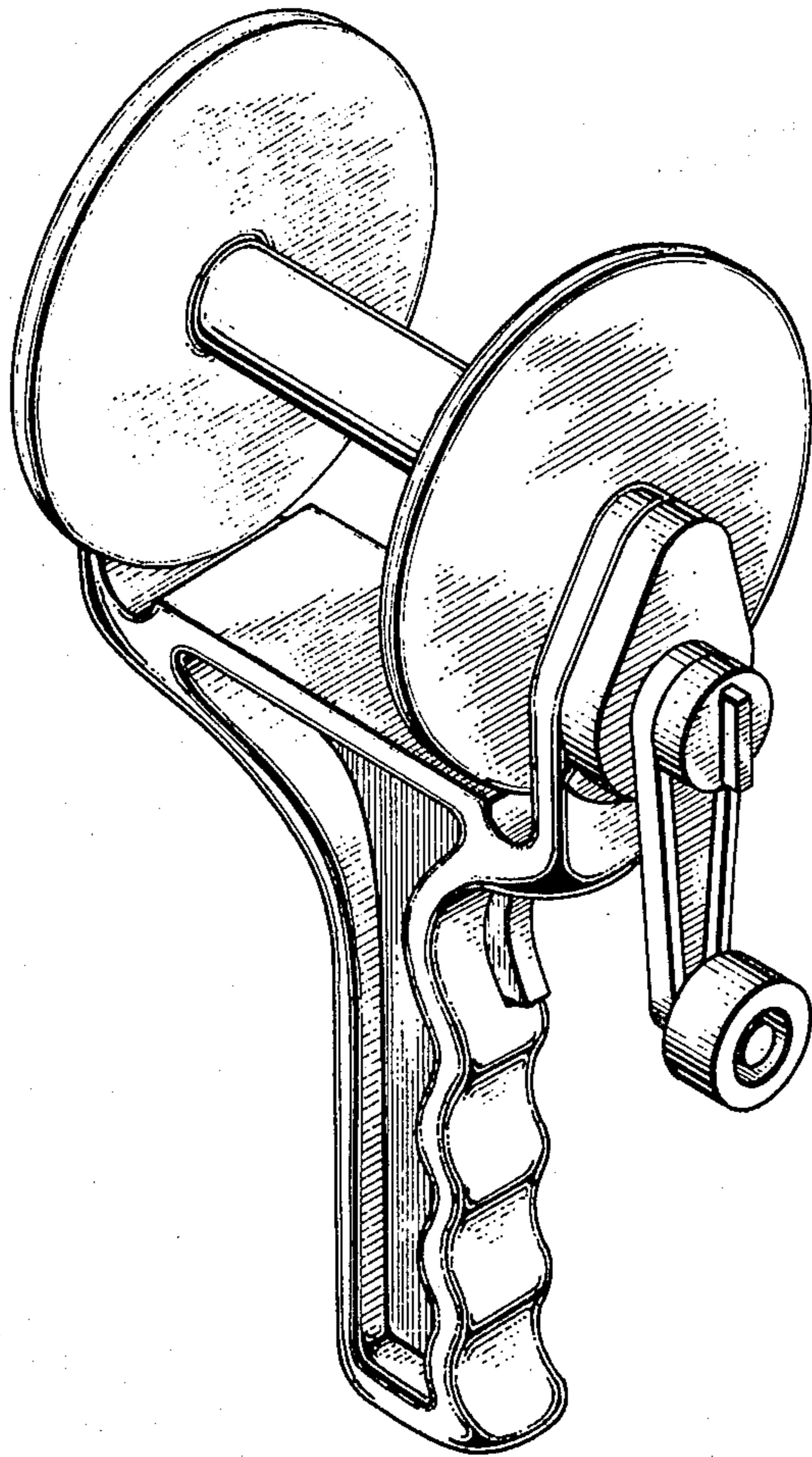


FIG-1

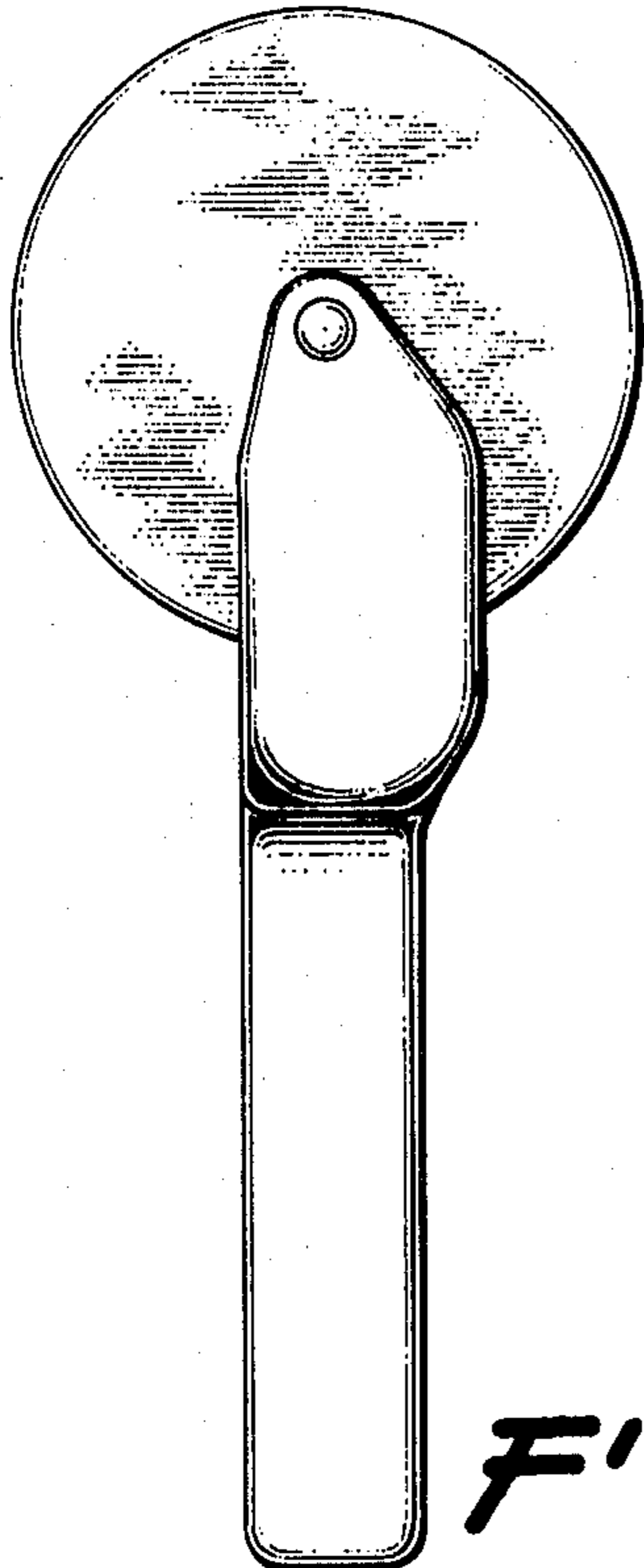


FIG-3

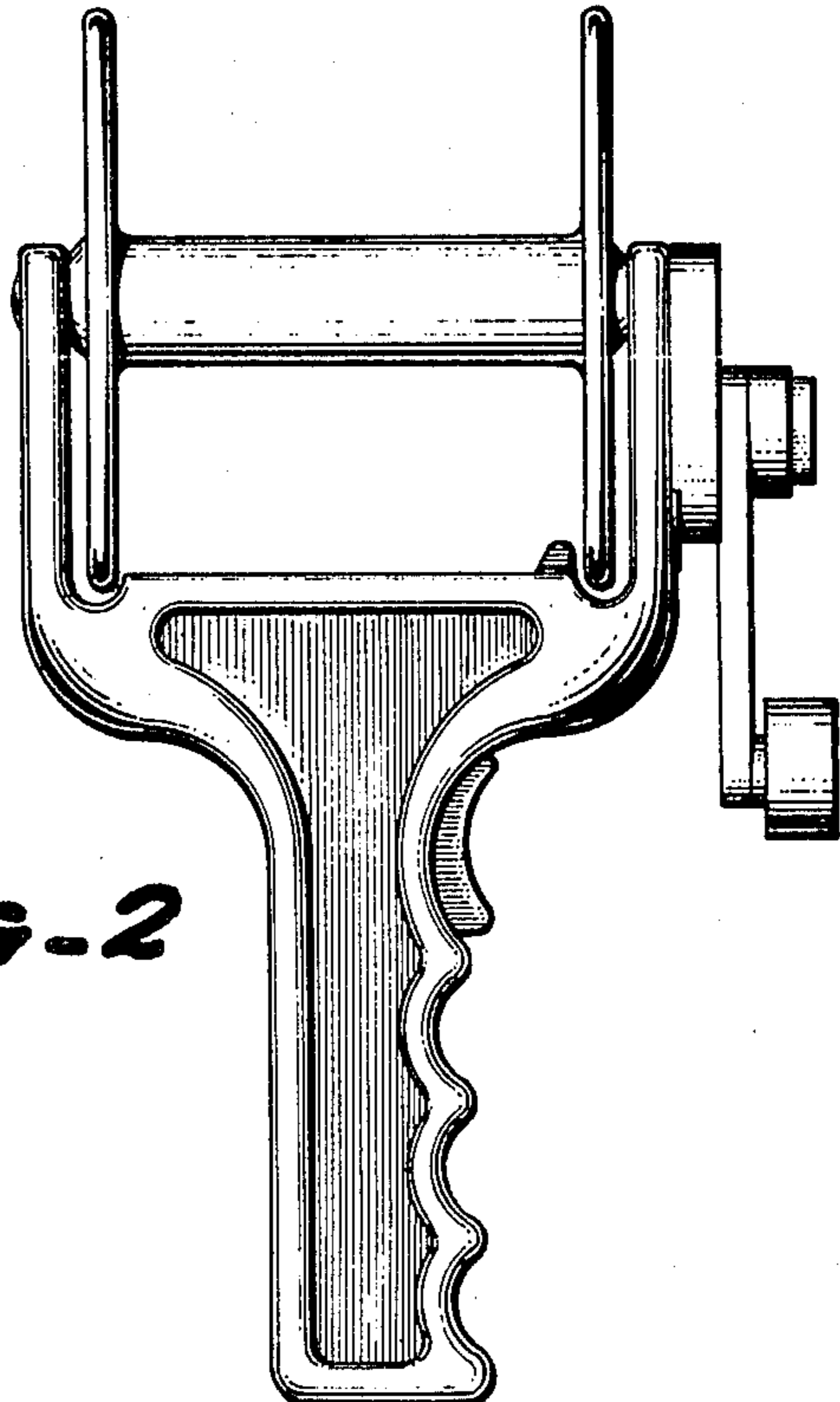


FIG-2

FIG-6

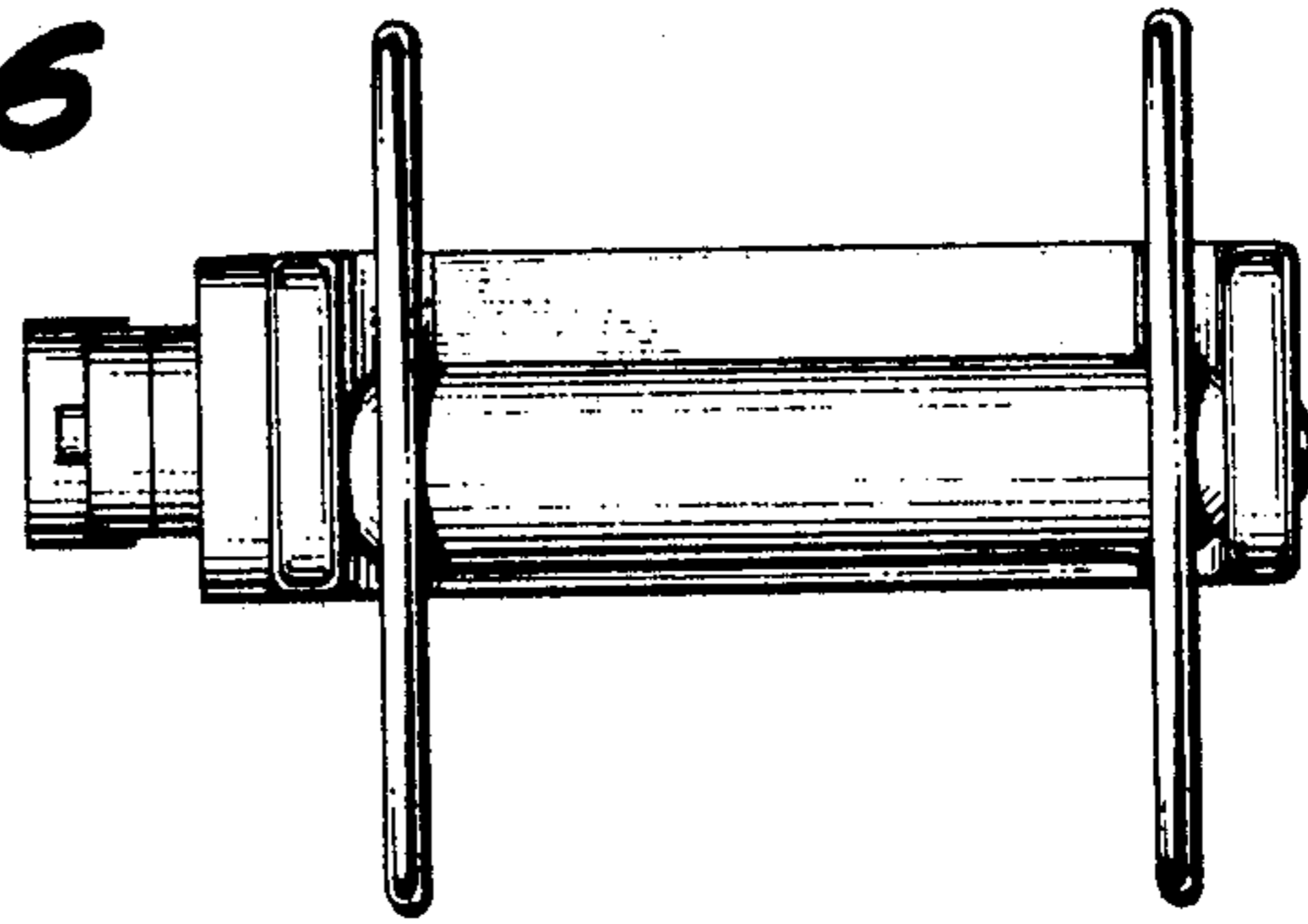


FIG-5

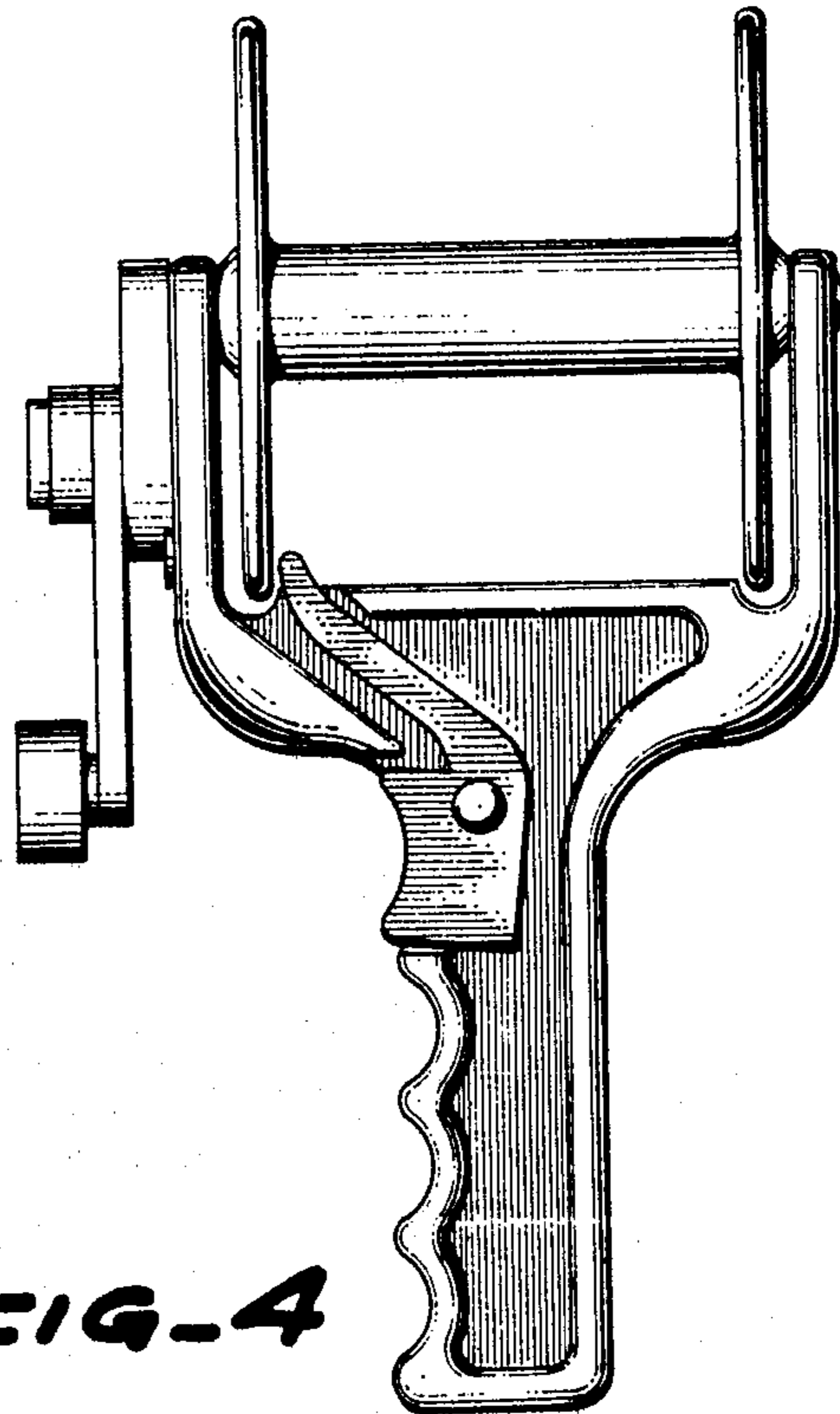
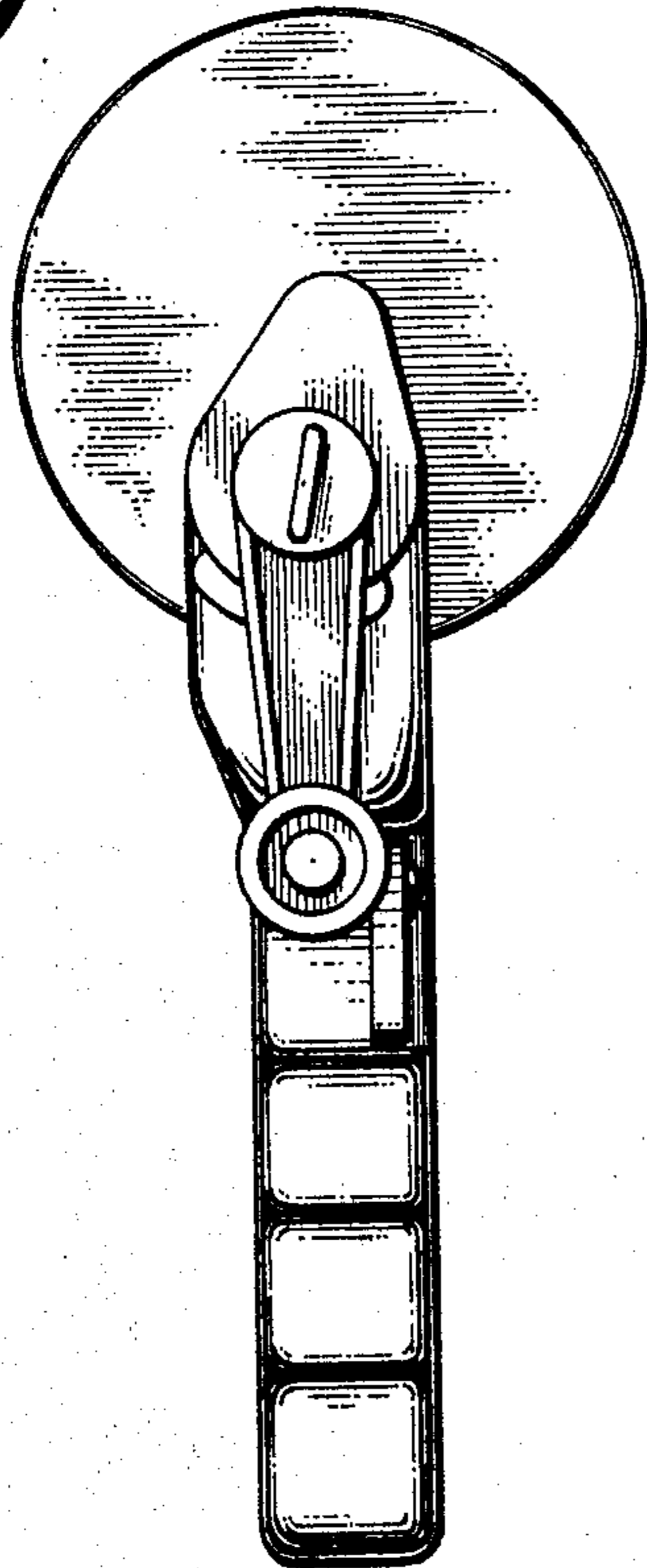


FIG-4

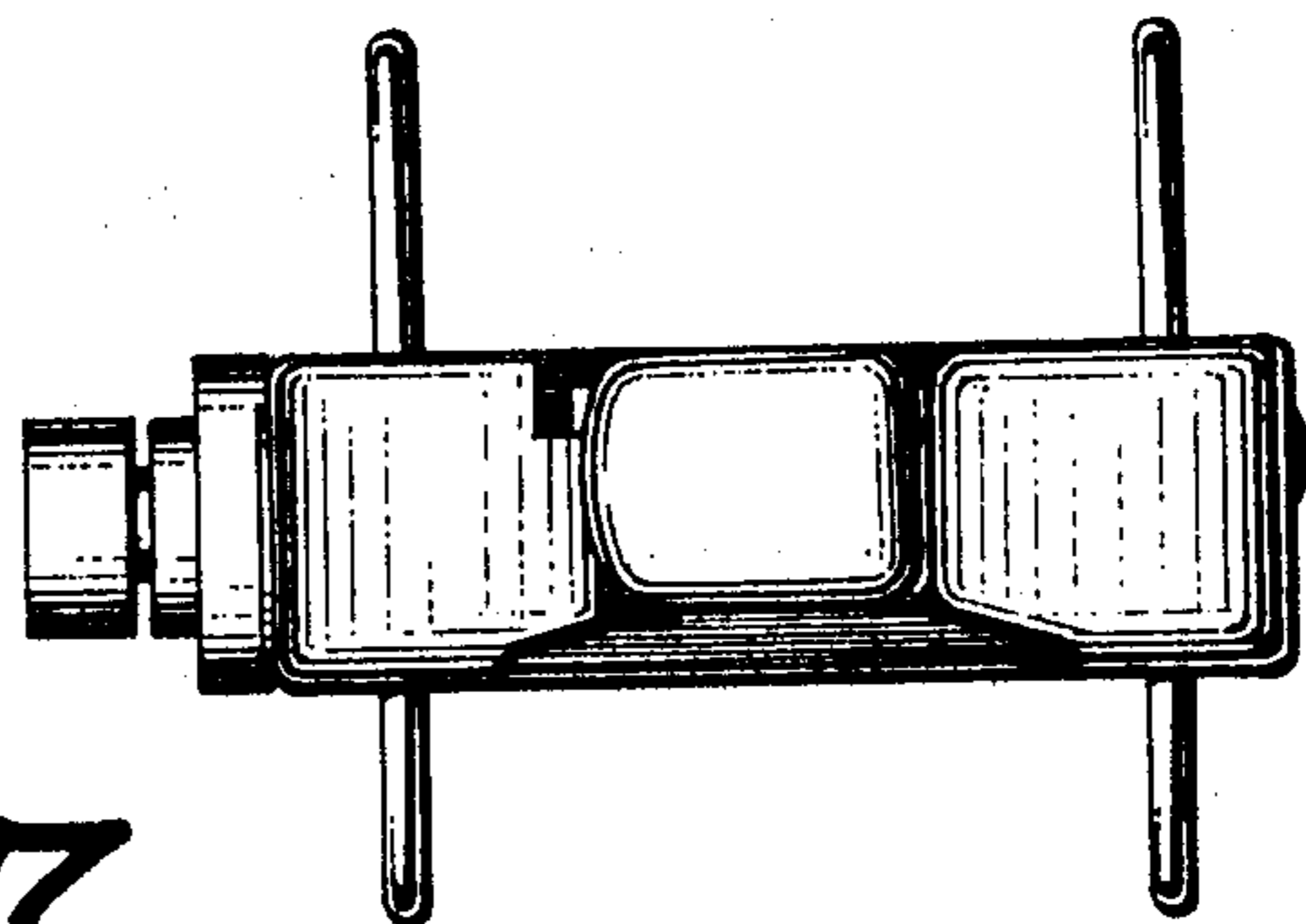


FIG-7