

[54] **STAPLING MACHINE**

[75] **Inventor: Lars G. Rosenblad, Gränna, Sweden**

[73] **Assignee: Isabergs Verkstads AB, Hestra, Sweden**

[**] **Term: 14 Years**

[21] **Appl. No.: 330,692**

[22] **Filed: Dec. 14, 1981**

[30] **Foreign Application Priority Data**

Jul. 6, 1981 [CH] Switzerland 81-1521

[52] **U.S. Cl. D8/50**

[58] **Field of Search D8/49, 50; 227/61; D19/72**

[56] **References Cited**

U.S. PATENT DOCUMENTS

D. 216,498 1/1970 Gaya D8/50
D. 241,502 9/1976 Goertz D8/50
D. 241,907 10/1976 McDonnell et al. D8/50
D. 244,253 5/1977 Power et al. D8/50

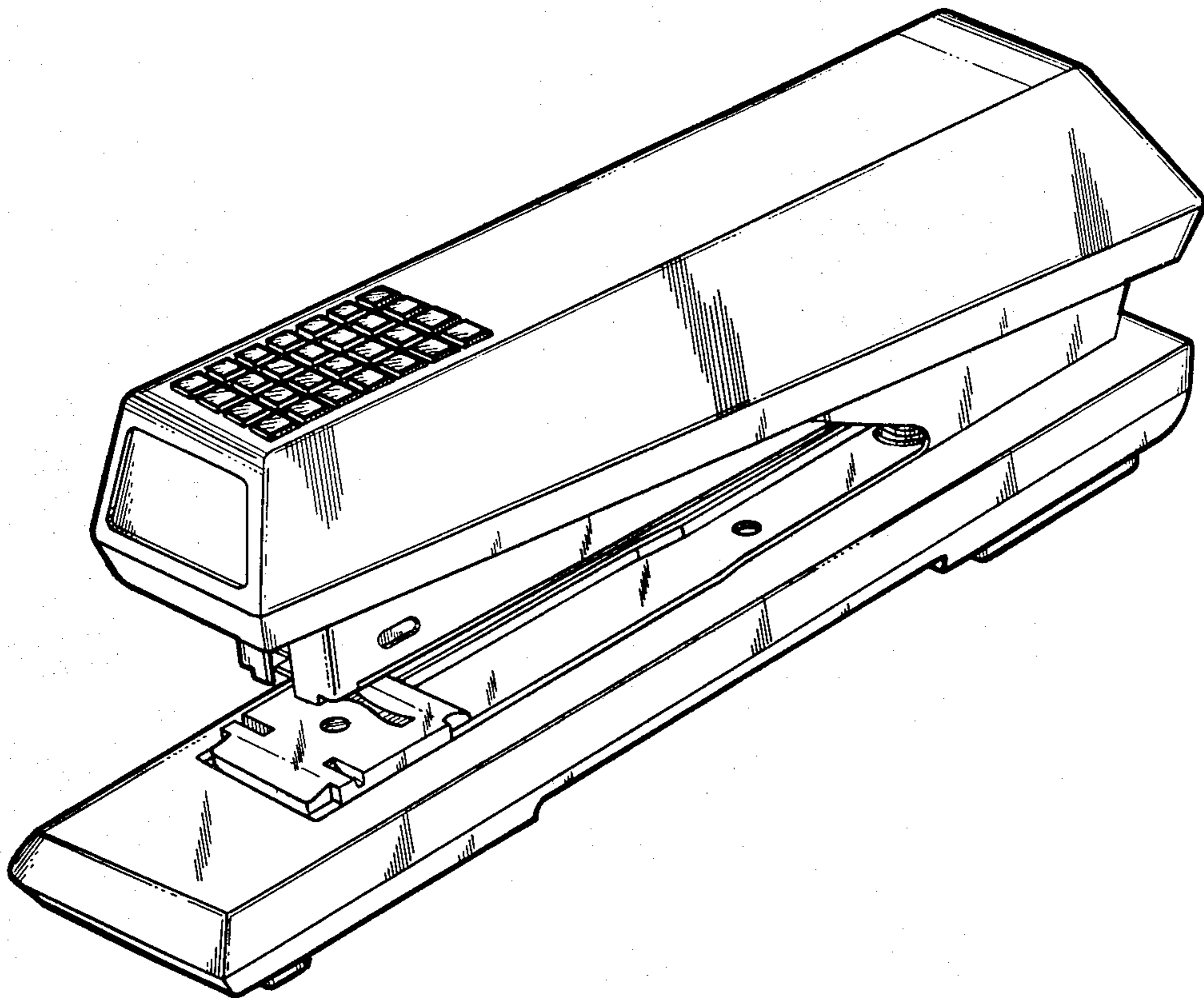
Primary Examiner—George P. Word
Attorney, Agent, or Firm—Shapiro and Shapiro

[57] **CLAIM**

The ornamental design for a stapling machine, as shown and described.

DESCRIPTION

FIG. 1 is a right front perspective view of a stapling machine showing my new design;
FIG. 2 is a right rear perspective view thereof;
FIG. 3 is a bottom plan view thereof;
FIG. 4 is a right side elevational view thereof;
FIG. 5 is a front elevational thereof; and
FIG. 6 is a rear elevational view thereof.



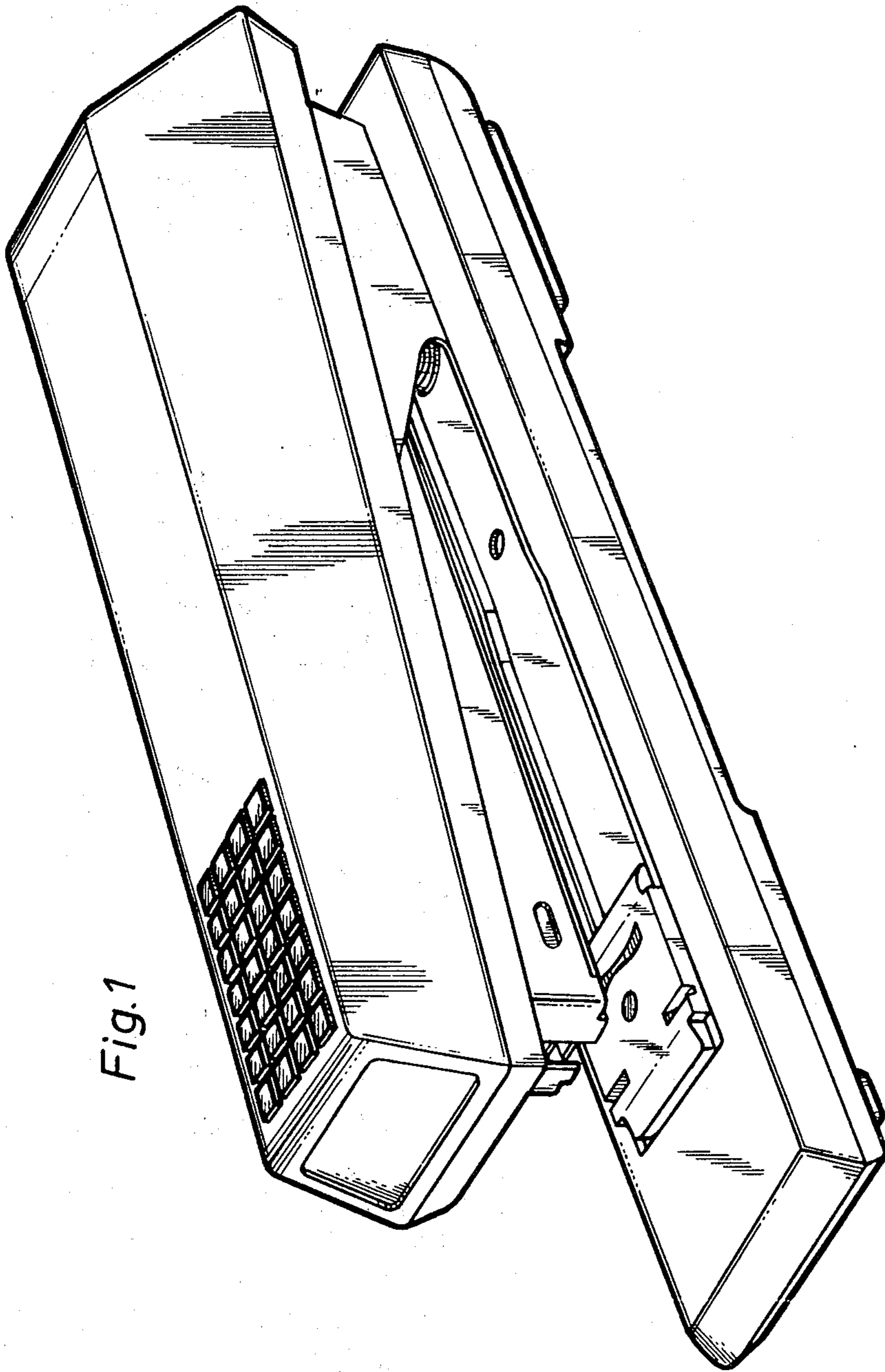


Fig. 1

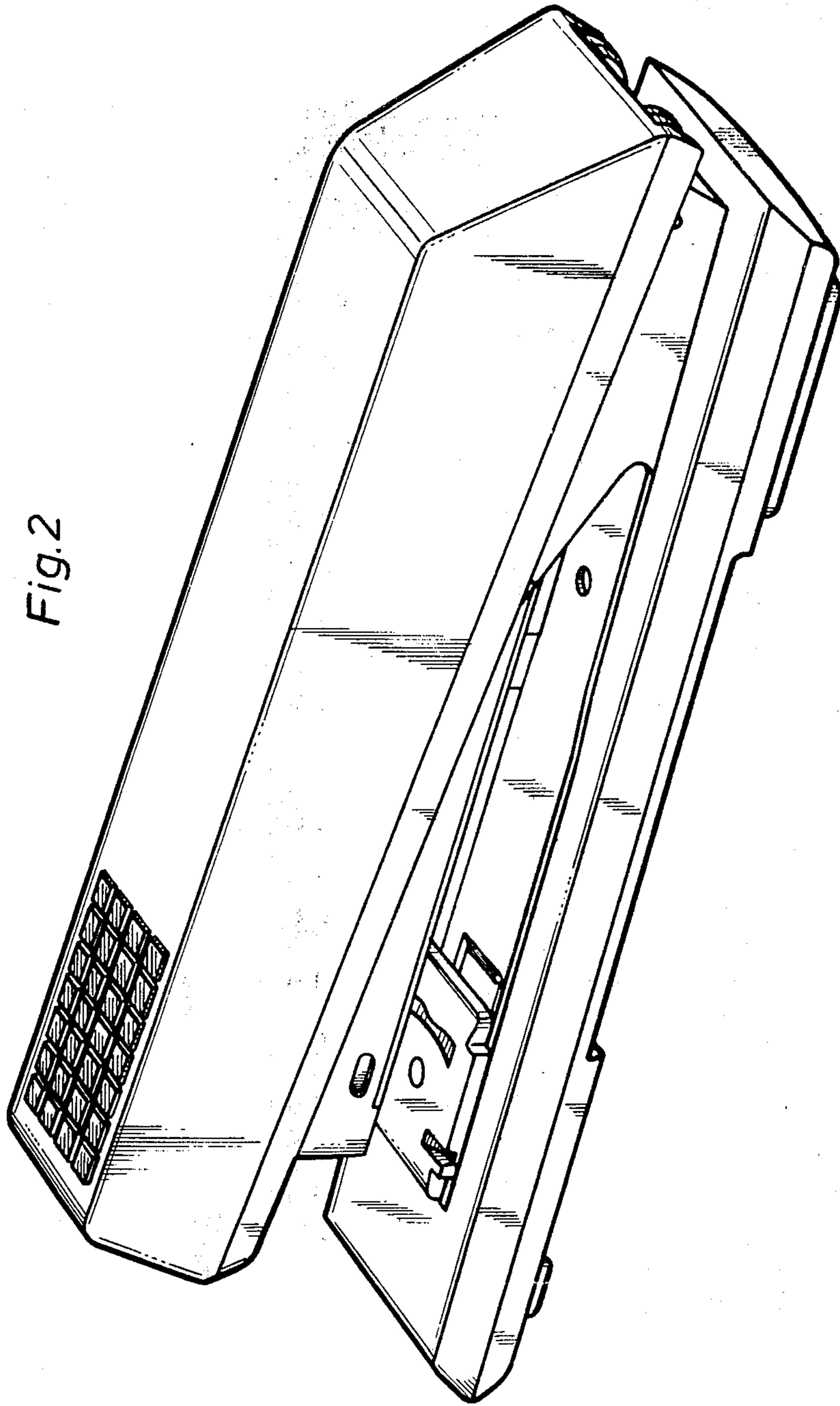


Fig. 2

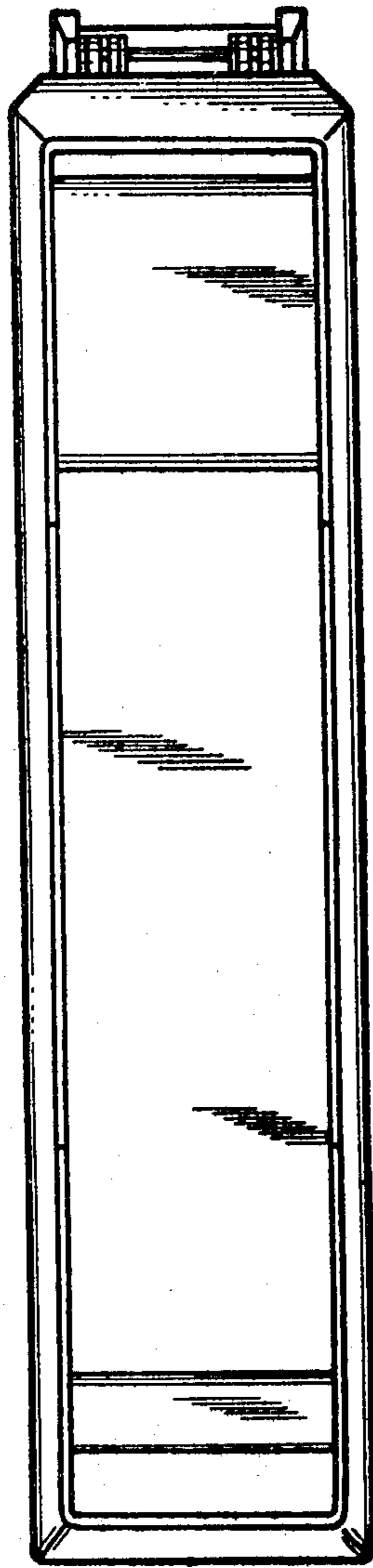


Fig.3

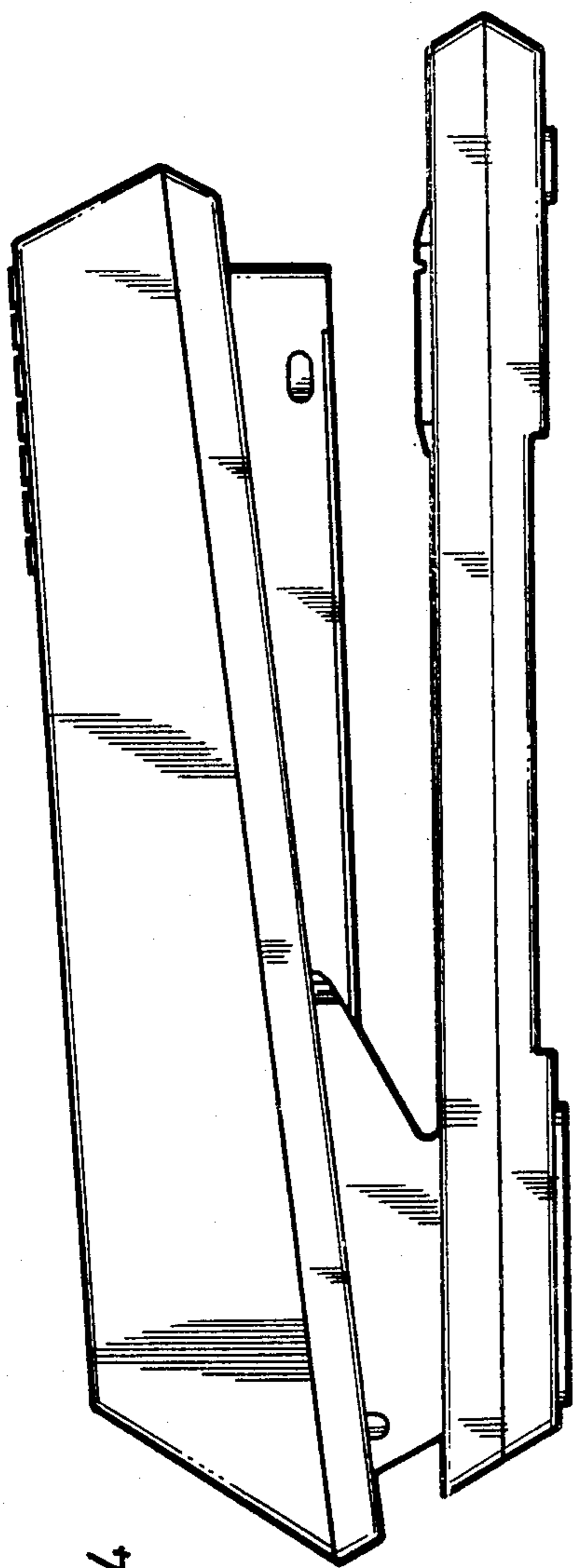


Fig.4

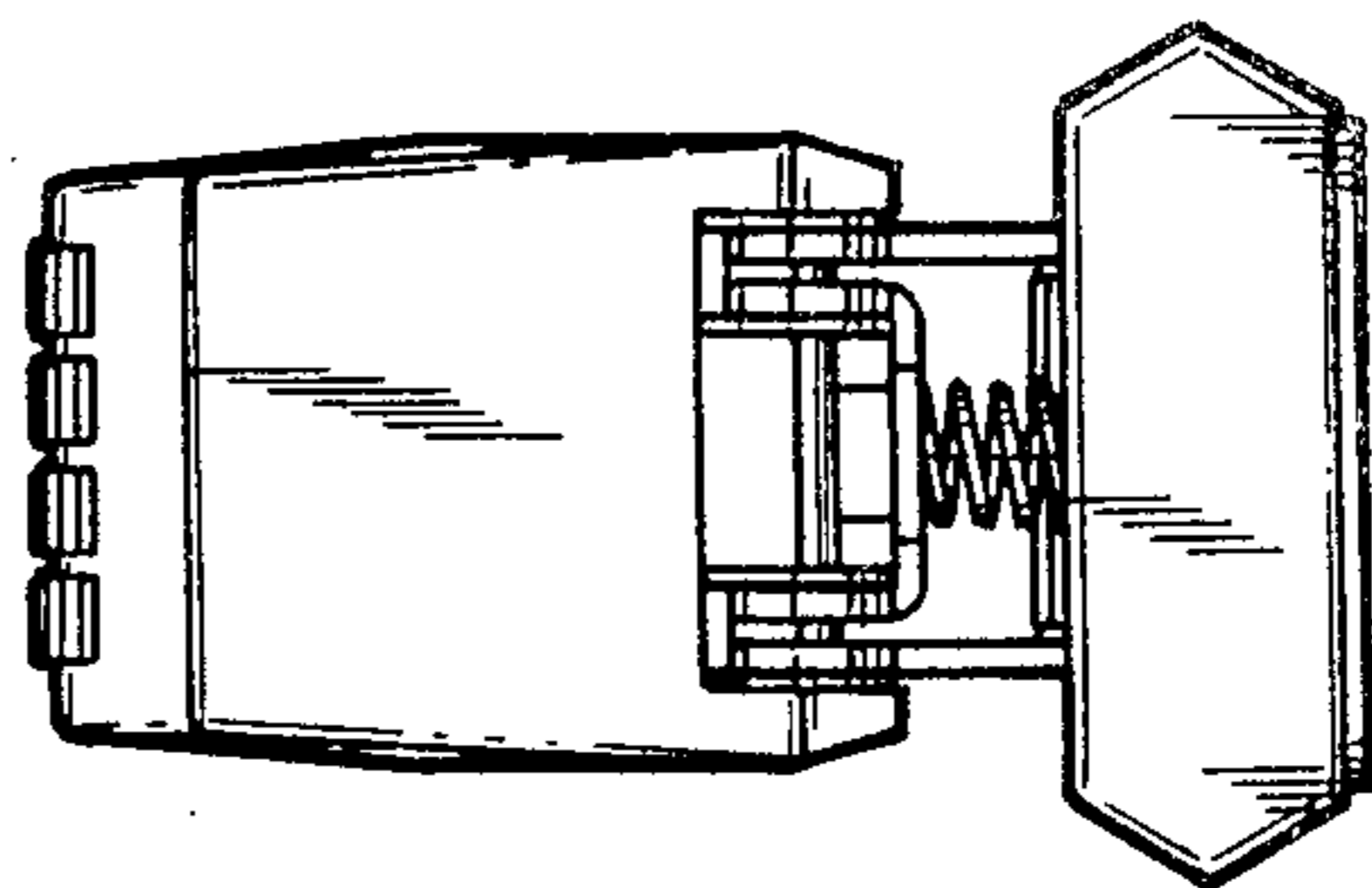


Fig.6

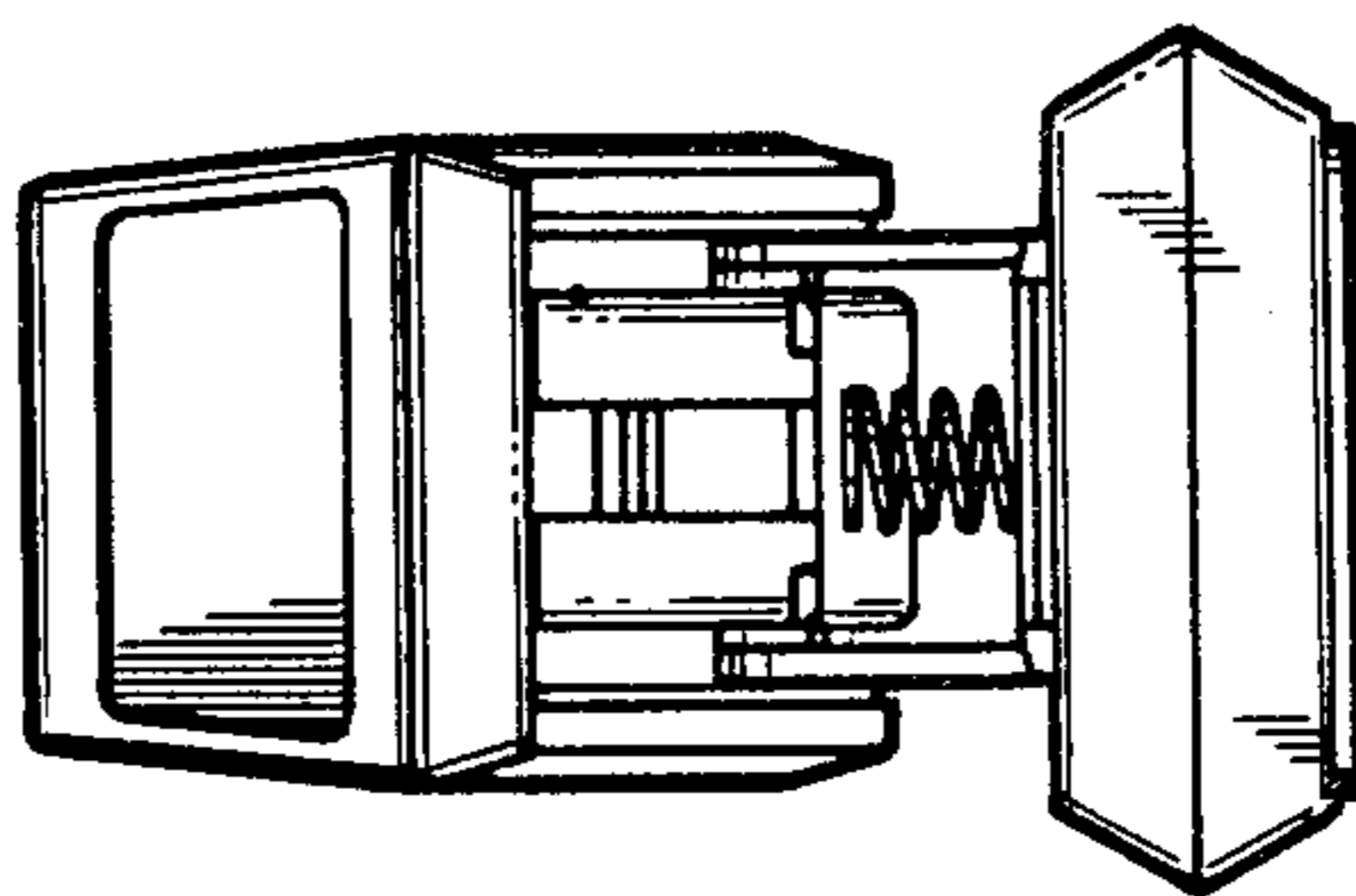


Fig.5