

[54] **CAKE DECORATOR OR THE LIKE**

[75] Inventor: **Janice L. Leininger, Providence, R.I.**

[73] Assignee: **Dart Industries Inc., Northbrook, Ill.**

[**] Term: **14 Years**

[21] Appl. No.: **360,268**

[22] Filed: **Mar. 22, 1982**

[52] U.S. Cl. **D7/99; D18/14**

[58] Field of Search **D7/99, 106; D4/38.3;
D32/40, 46; 30/169; 15/210.5, 236 R**

[56] **References Cited**

U.S. PATENT DOCUMENTS

- | | | | |
|------------|--------|----------|----------|
| D. 169,837 | 6/1953 | Blander | 32/46 |
| D. 221,144 | 7/1971 | Lawrence | 32/46 |
| 406,199 | 7/1889 | Cridge | 15/236 R |

- | | | | |
|-----------|---------|-----------|----------|
| 421,995 | 2/1890 | Reibnitz | 15/236 R |
| 2,179,758 | 11/1939 | Schlueter | 15/236 R |

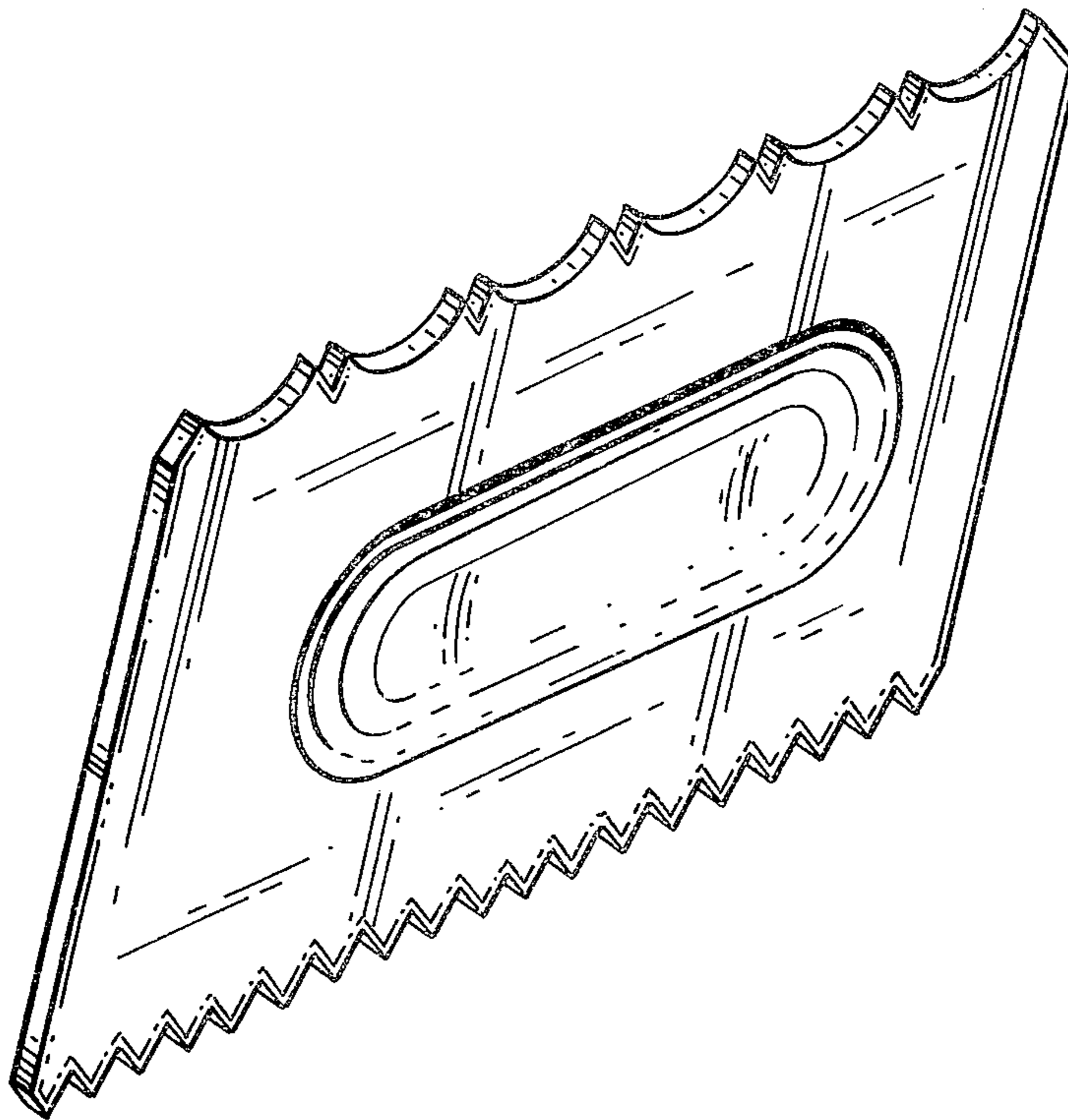
Primary Examiner—Melvin B. Feifer
Attorney, Agent, or Firm—John A. Doninger

[57] **CLAIM**

The ornamental design for a cake decorator or the like, substantially as is shown.

DESCRIPTION

FIG. 1 is a perspective view of one side of the cake decorator or the like showing my new design;
FIG. 2 is a top plan view of the upper edge thereof;
FIG. 3 is a front elevational view thereof;
FIG. 4 is a side elevational view thereof;
FIG. 5 is a bottom plan view;
FIG. 6 is a side elevational view opposite FIG. 4;
FIG. 7 is a rear elevational view.



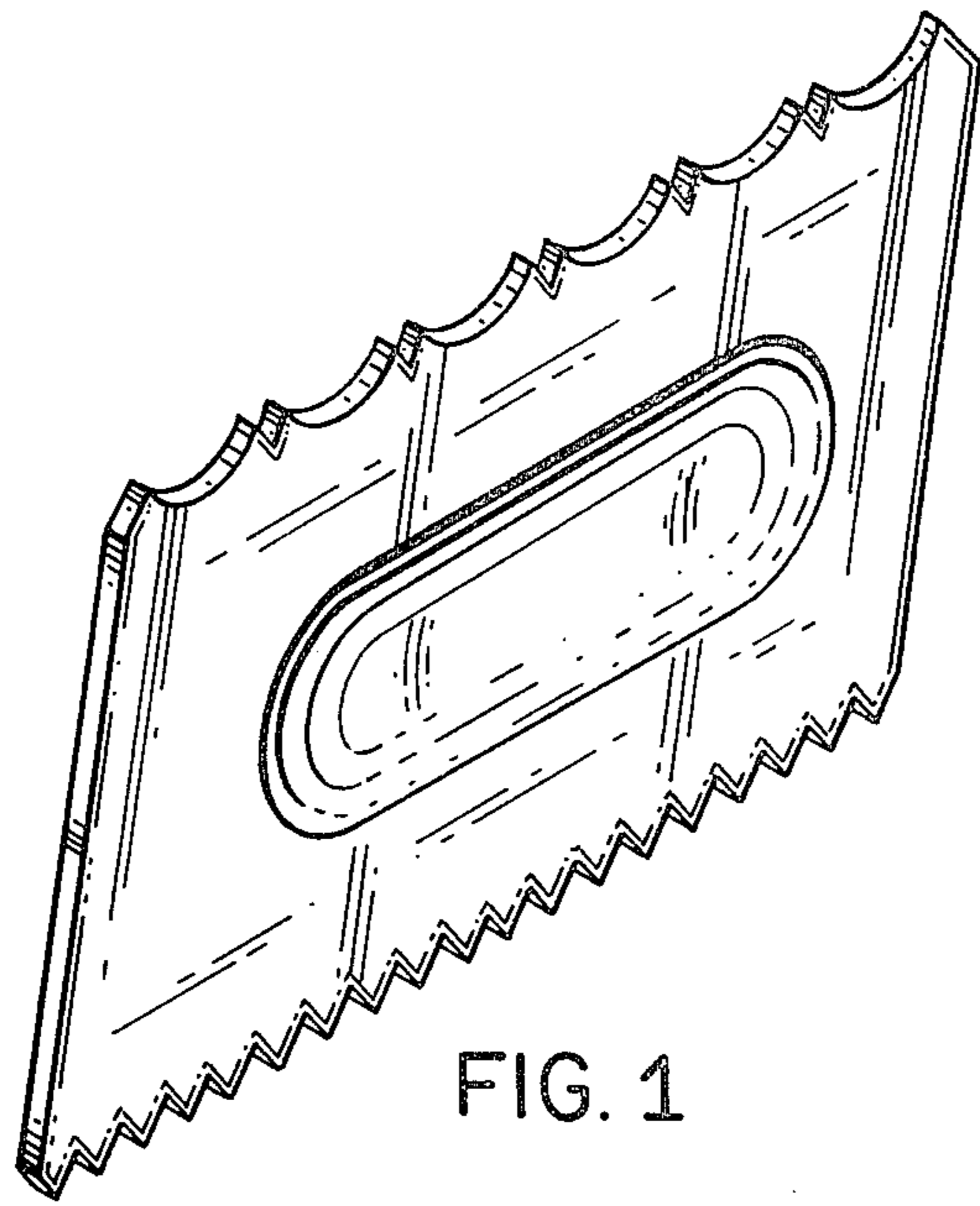


FIG. 1

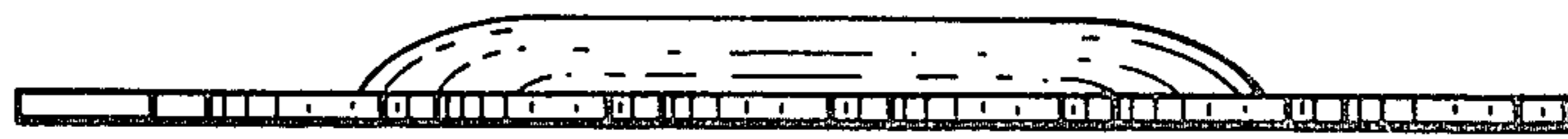


FIG. 2

FIG. 3



FIG. 4

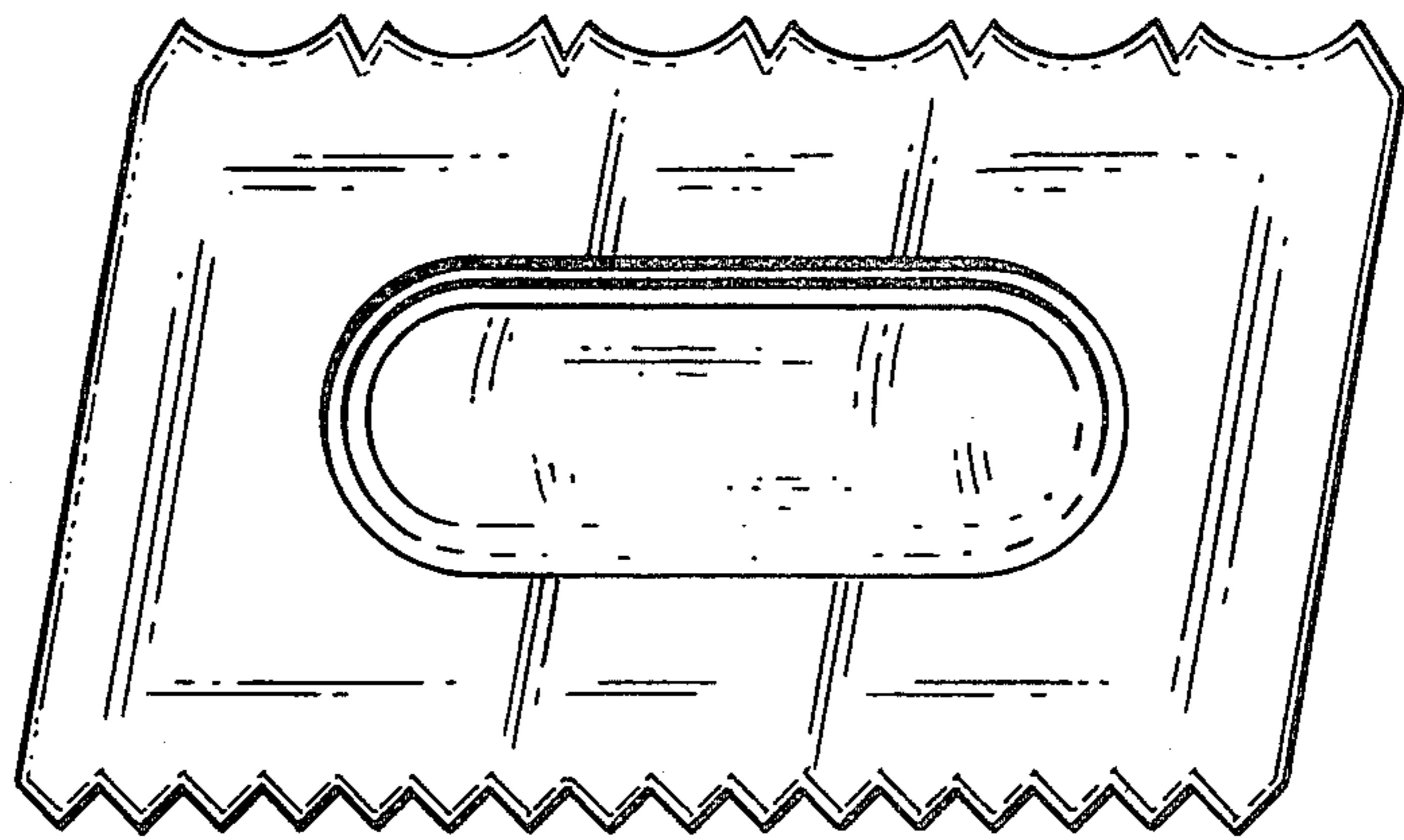


FIG. 5



FIG. 6

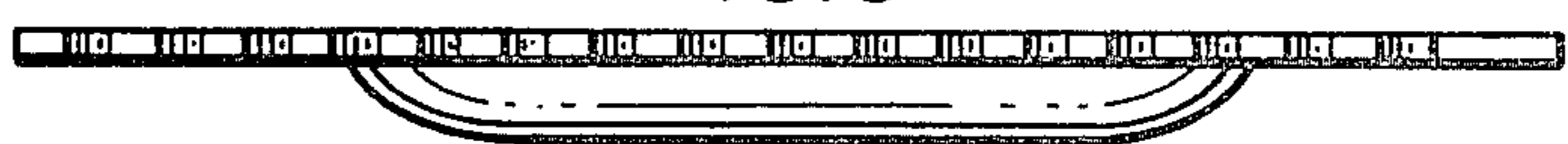


FIG. 7