

[54] **RACK FOR ARTICLES OF CLOTHING**

[76] **Inventor: William D. Ritchey, 1617 M St.,  
Bedford, Ind. 47421**

[\*\*] **Term: 14 Years**

[21] **Appl. No.: 378,887**

[22] **Filed: May 17, 1982**

[52] **U.S. Cl. .... D6/411; D6/317**

[58] **Field of Search ..... D6/113, 116, 247, 249;  
211/13, 119, 181**

[56] **References Cited**

**U.S. PATENT DOCUMENTS**

D. 222,513	10/1971	Hart et al. ....	D6/116
2,690,844	10/1954	Torrance .....	211/119
3,088,597	5/1963	Ritchey .....	211/13
4,278,177	7/1981	Fahmi .....	211/119 X

4,429,797 2/1984 Collins ..... 211/119

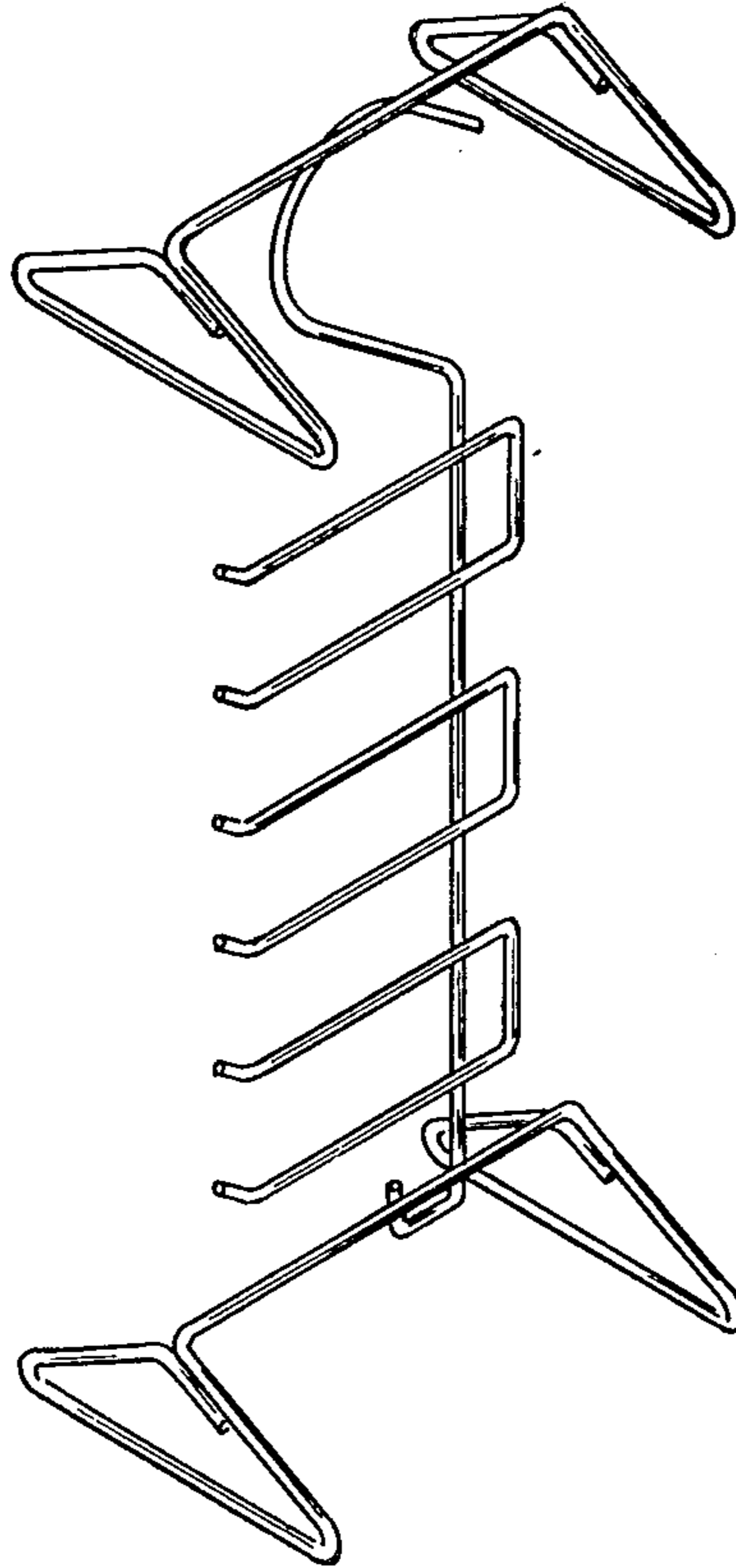
*Primary Examiner*—Bernard Ansher  
*Assistant Examiner*—Carmen H. Vales  
*Attorney, Agent, or Firm*—Barnes & Thornburg

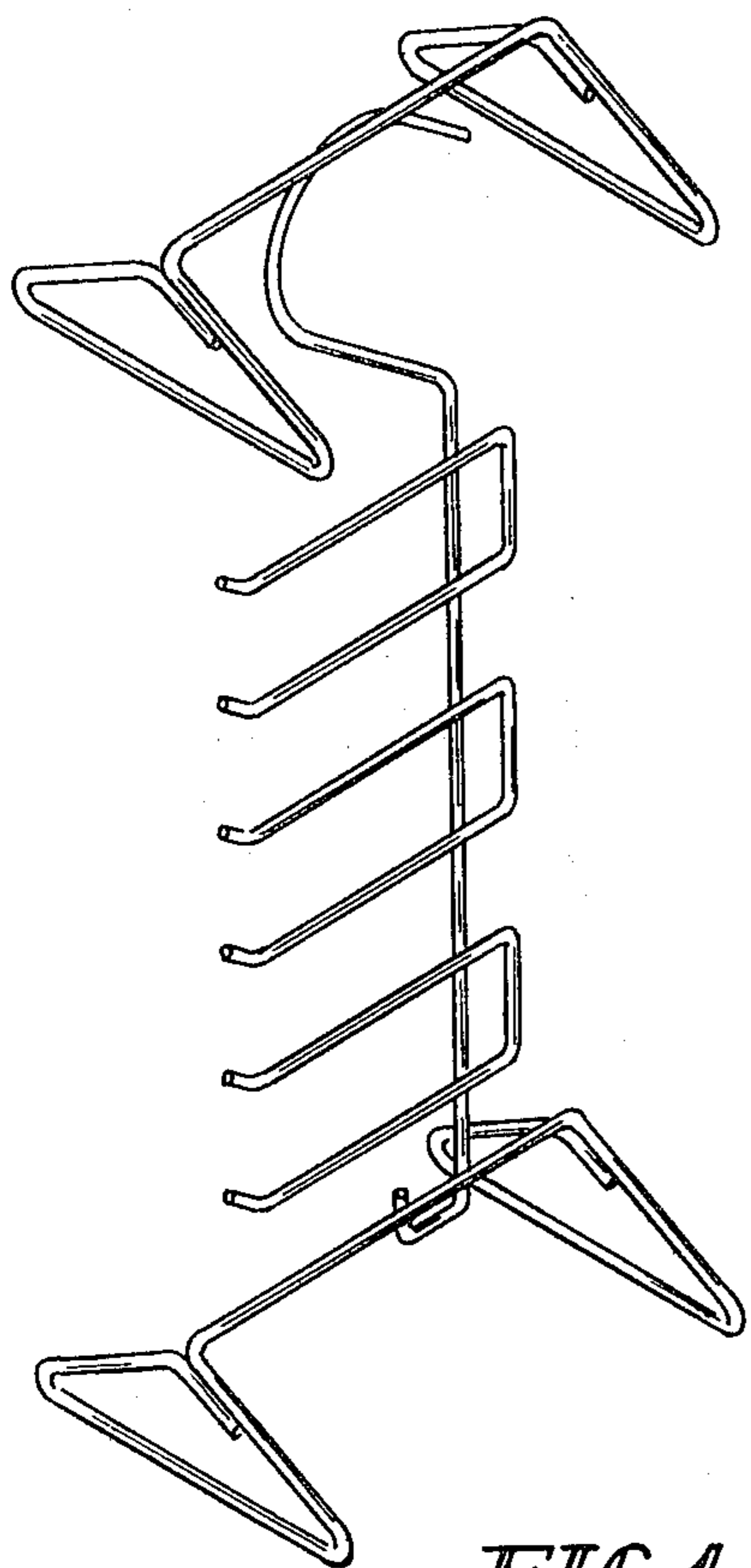
[57] **CLAIM**

The ornamental design for a rack for articles of clothing, as shown.

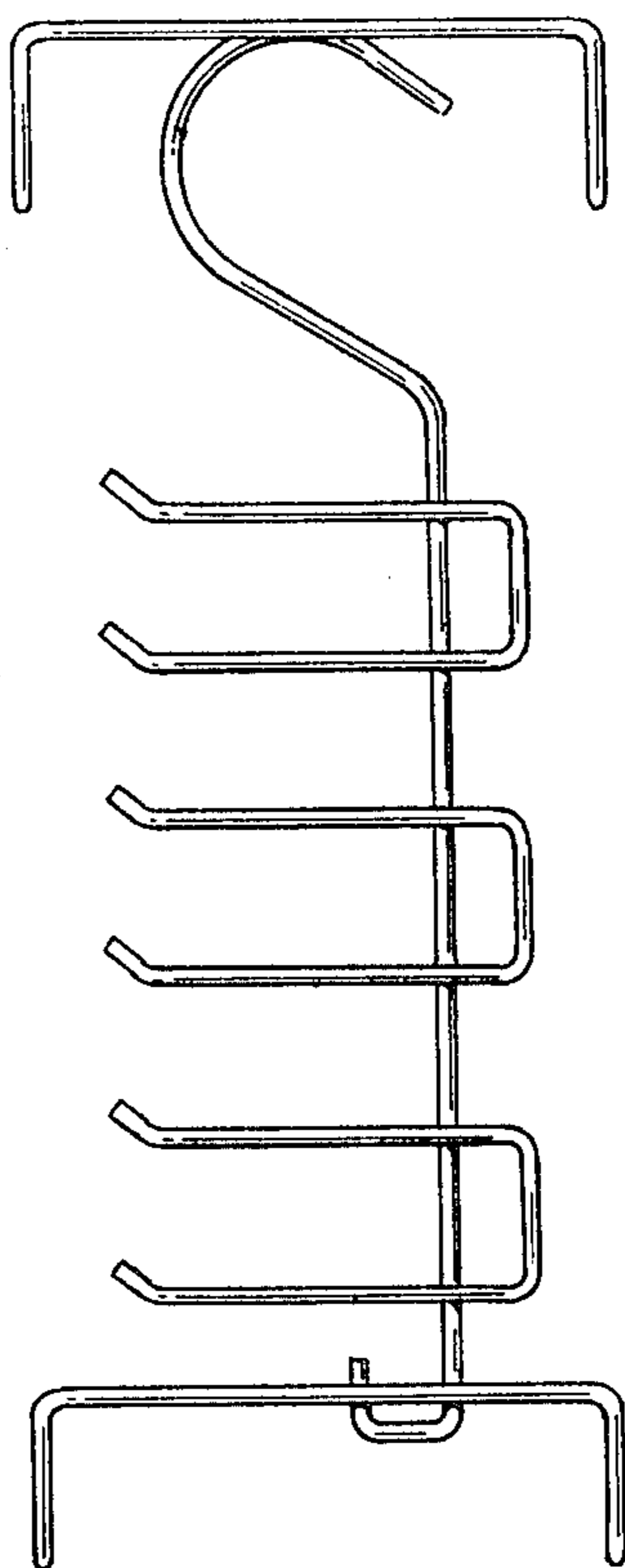
**DESCRIPTION**

FIG. 1 is a perspective view of a rack for articles of clothing showing my new design;  
FIG. 2 is a front elevational view thereof;  
FIG. 3 is a right side elevational view thereof;  
FIG. 4 is a left side elevational view thereof;  
FIG. 5 is a rear elevational view thereof;  
FIG. 6 is a top plan view thereof; and  
FIG. 7 is a bottom plan view thereof.

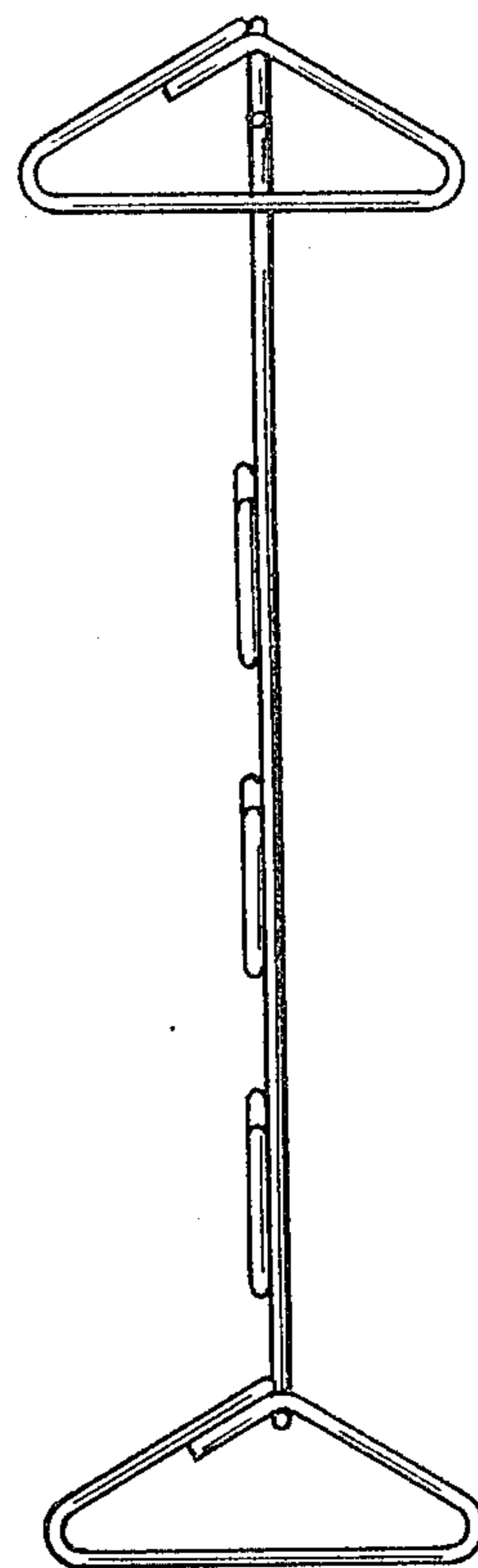




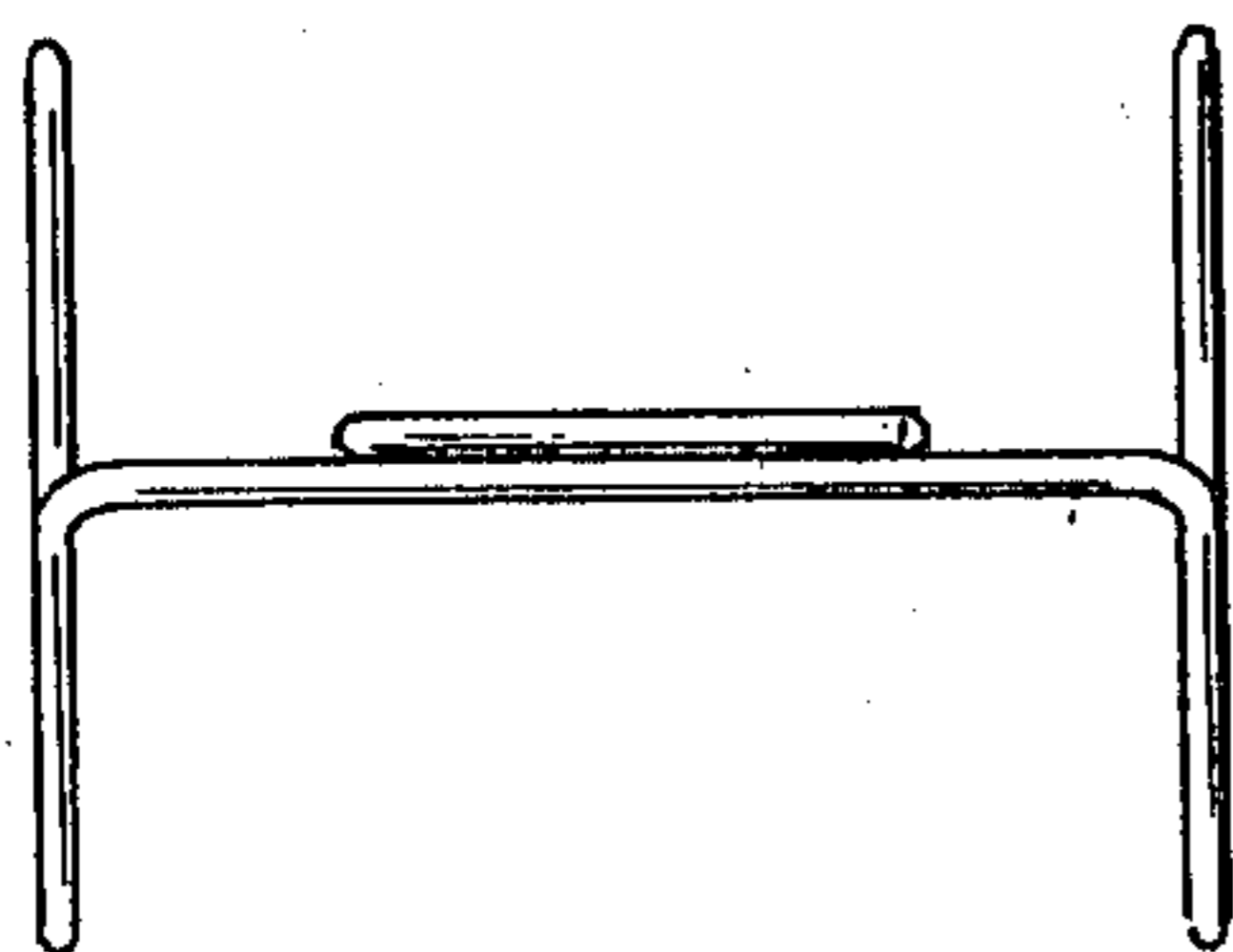
*FIG. 1*



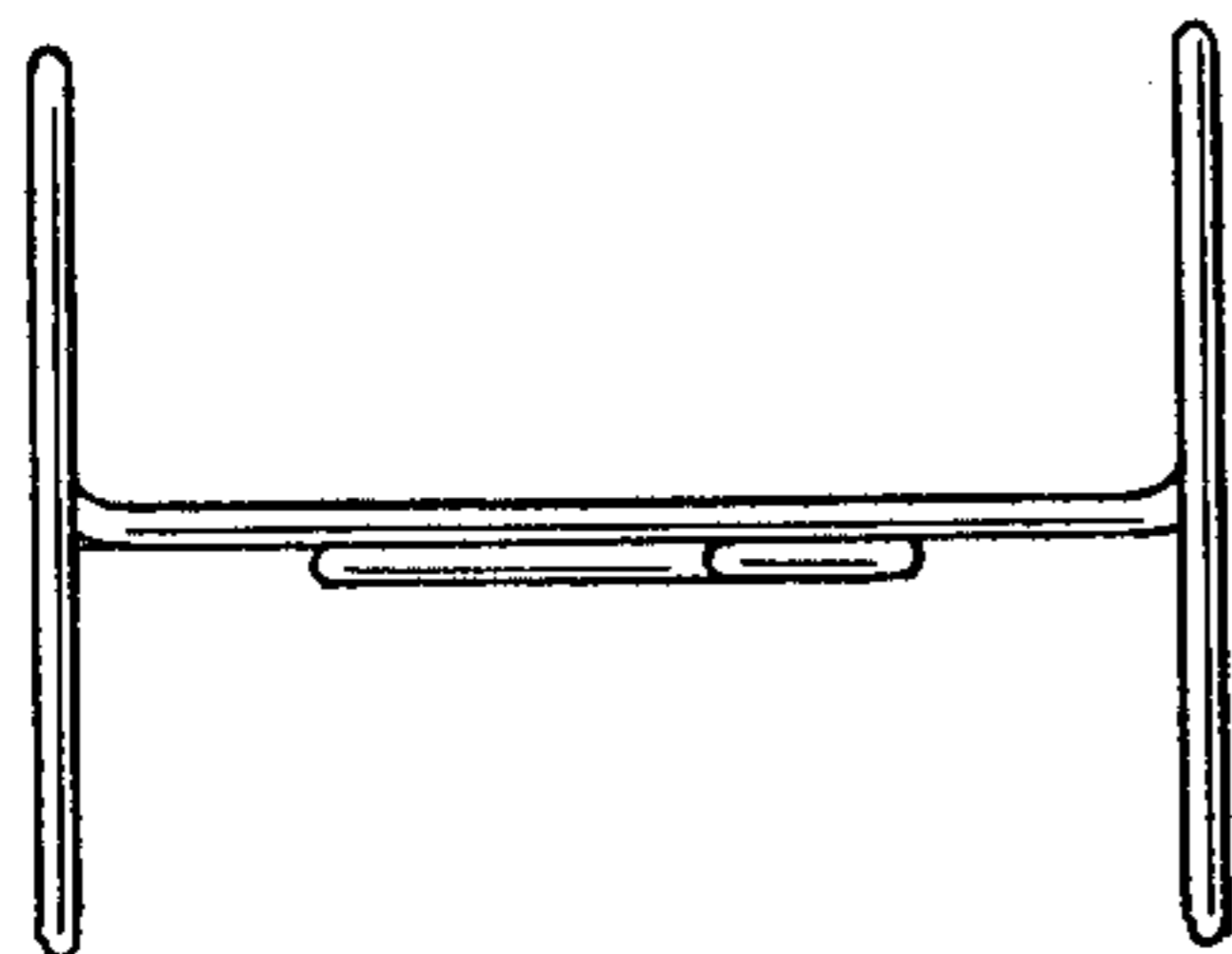
*FIG. 2*



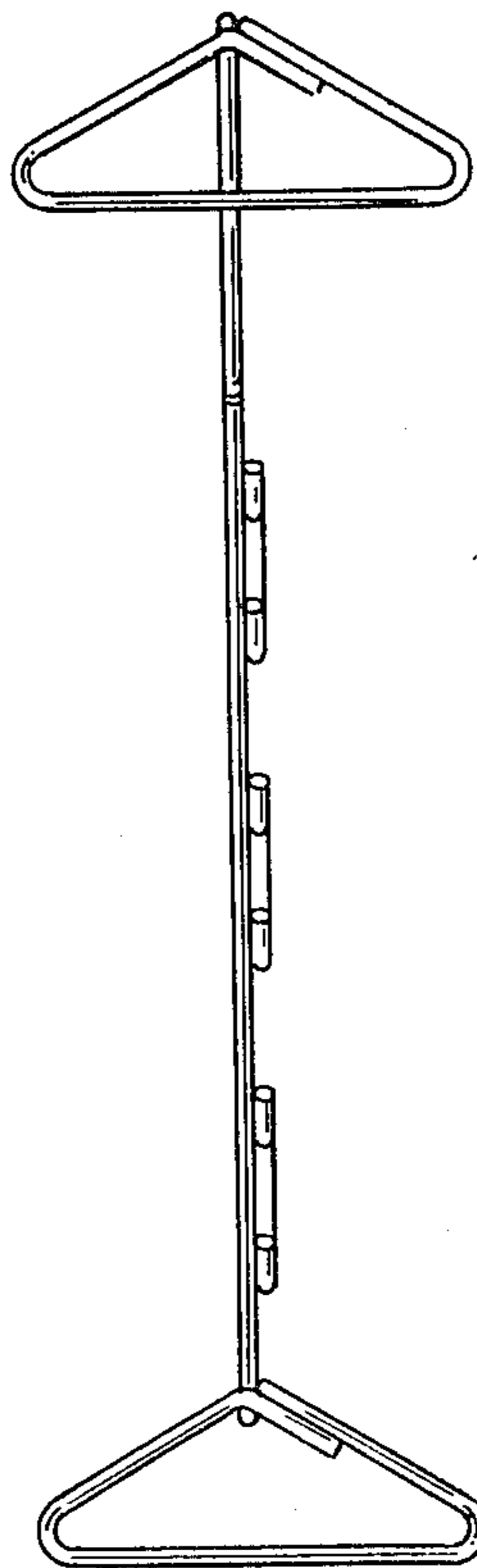
*FIG. 3*



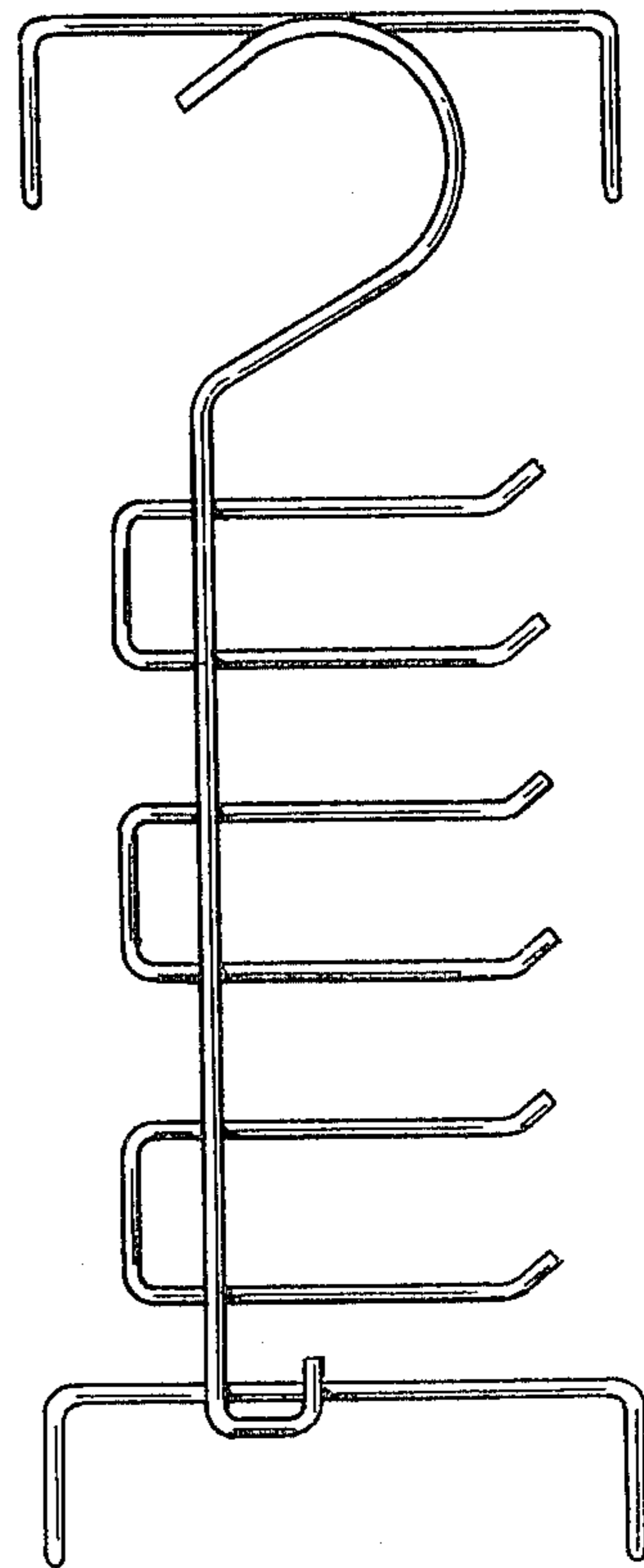
*FIG. 6*



*FIG. 7*



*FIG. 4*



*FIG. 5*