

[54] MULTI-PURPOSE CLEANING BRUSH

[76] Inventor: Angela Proctor, 4598 E. Outer Dr.,
Detroit, Mich. 48234

[**] Term: 14 Years

[21] Appl. No.: 446,188

[22] Filed: Dec. 2, 1982

[52] U.S. Cl. D4/127

[58] Field of Search D4/1, 10, 11, 12;
15/159, 160, 186, 187, 188

[56] References Cited

U.S. PATENT DOCUMENTS

750,357 1/1904 Gibbons 15/160
2,075,570 3/1937 Carpenter 15/160 X

FOREIGN PATENT DOCUMENTS

430363 6/1926 Fed. Rep. of Germany 15/159 R

Primary Examiner—Catherine E. Kemper
Attorney, Agent, or Firm—Adolph G. Martin

[57] CLAIM

The ornamental design for a multi-purpose cleaning brush, as shown and described.

DESCRIPTION

FIG. 1 is a front elevational view of a multi-purpose cleaning brush showing my new design;
FIG. 2 is a right side elevational view thereof;
FIG. 3 is a left side elevational view thereof;
FIG. 4 is a rear elevational view thereof;
FIG. 5 is a cross sectional view, taken along line 5—5 in FIG. 1; and
FIG. 6 is a cross sectional view, taken along line 6—6 in FIG. 2.

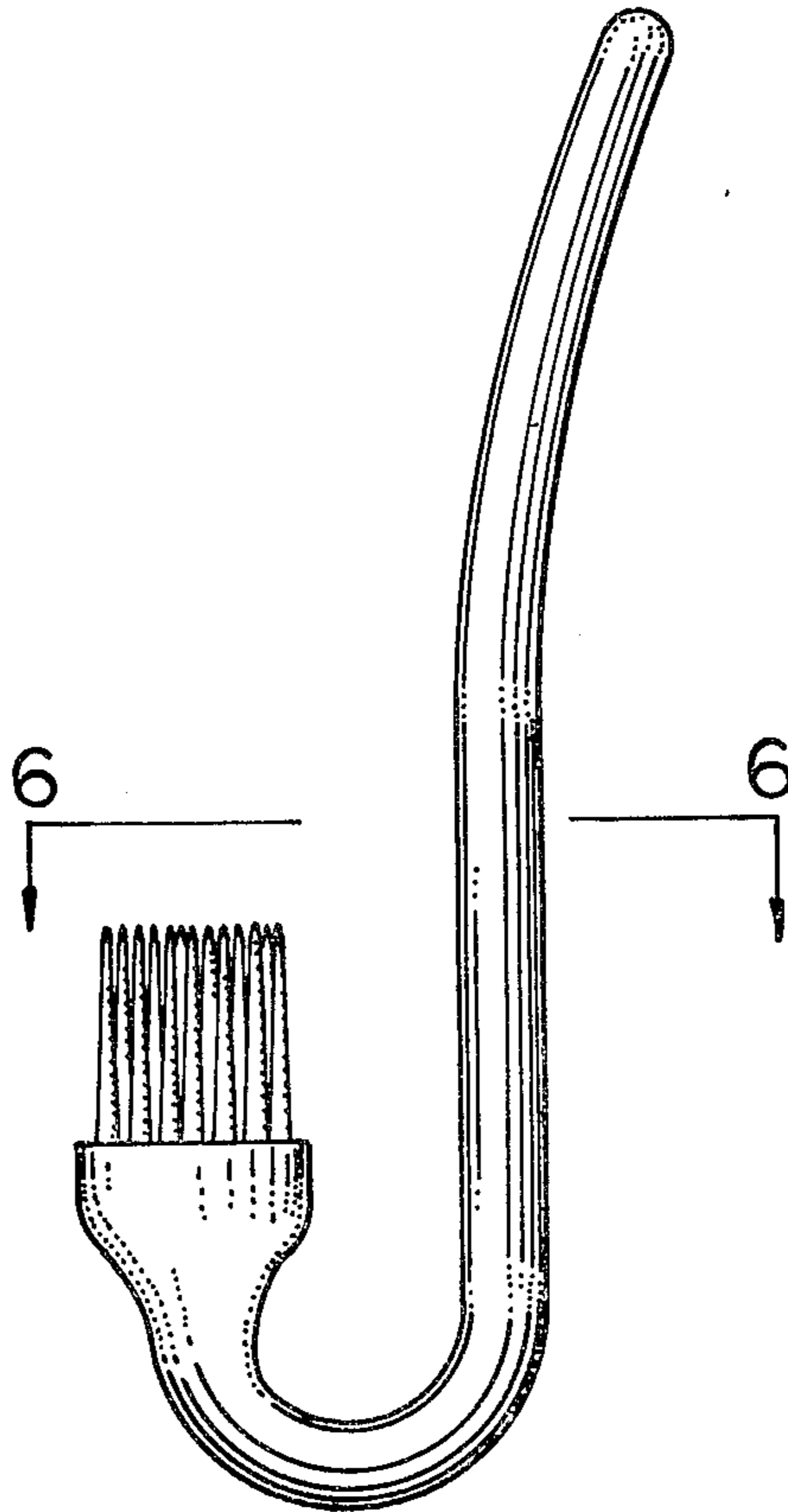


FIG. 1

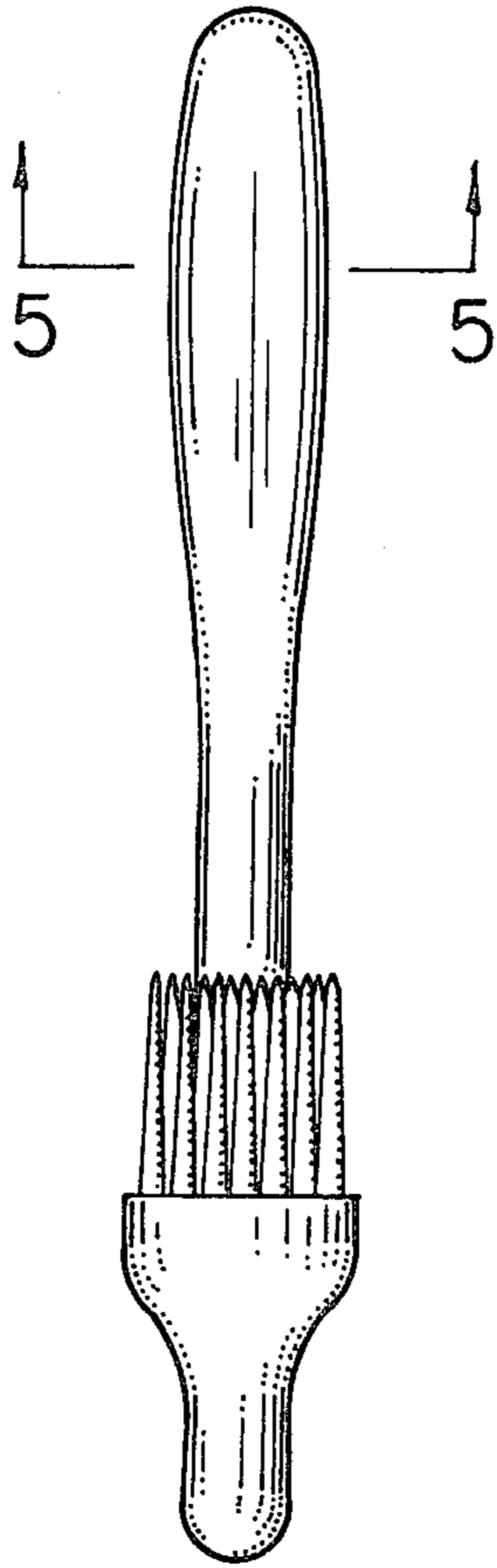


FIG. 2

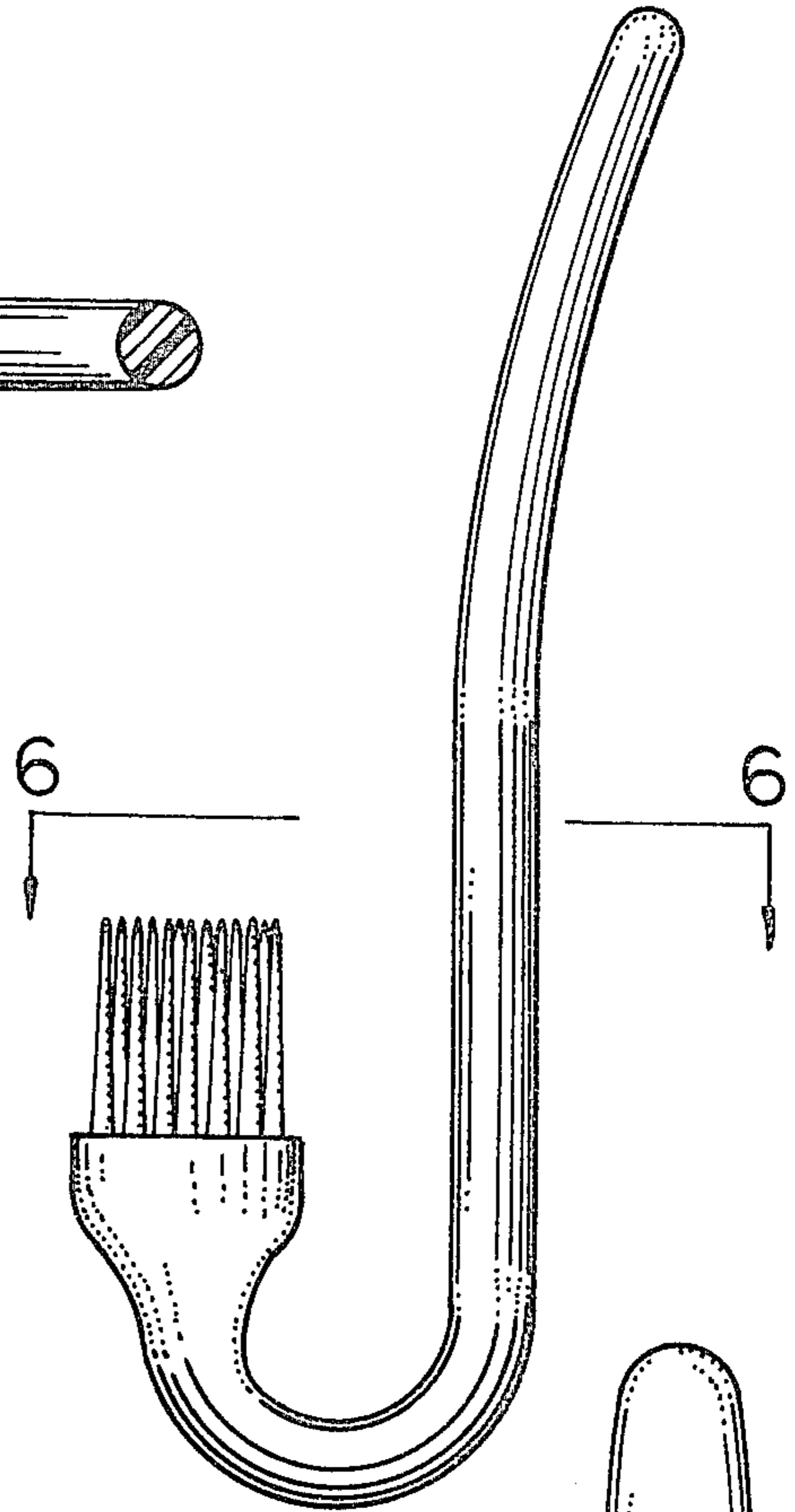


FIG. 6

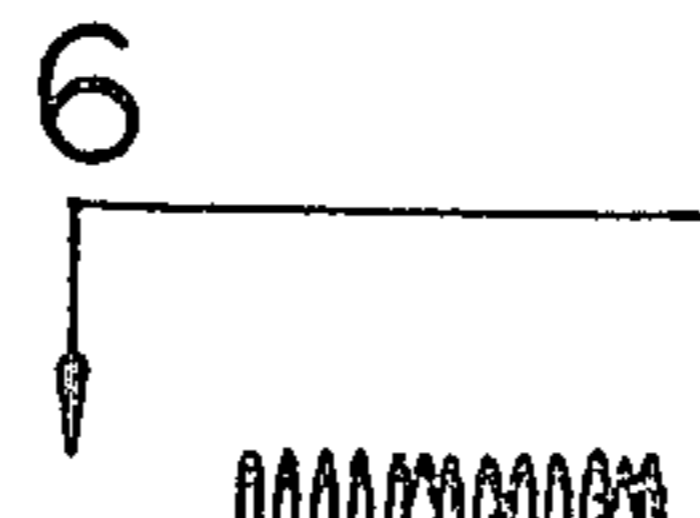
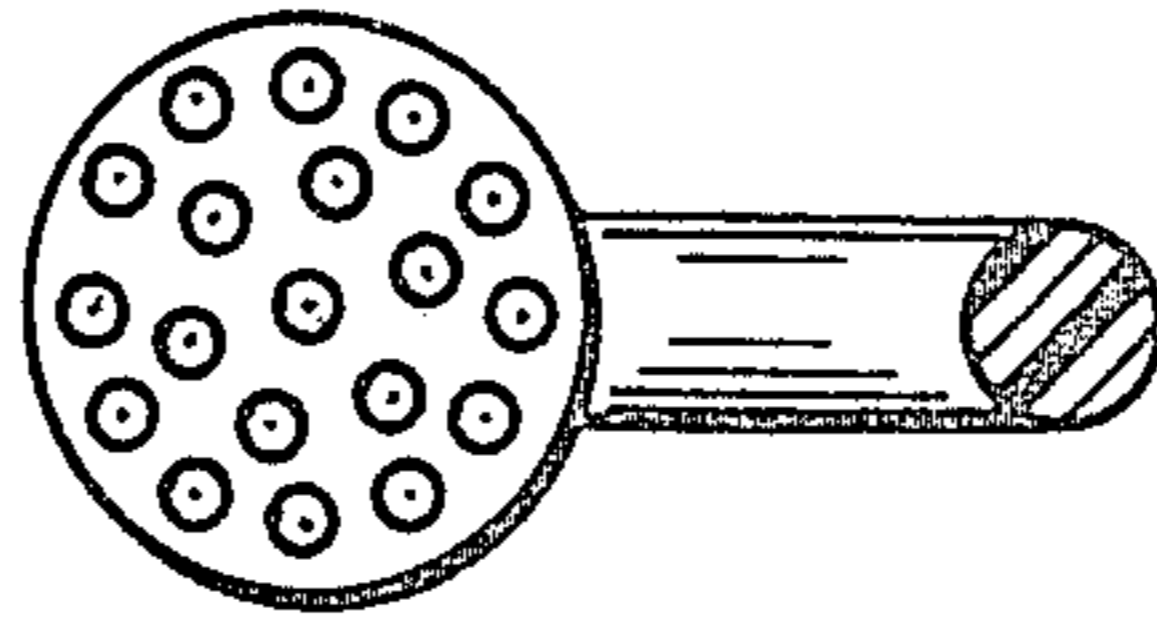


FIG. 5



FIG. 3

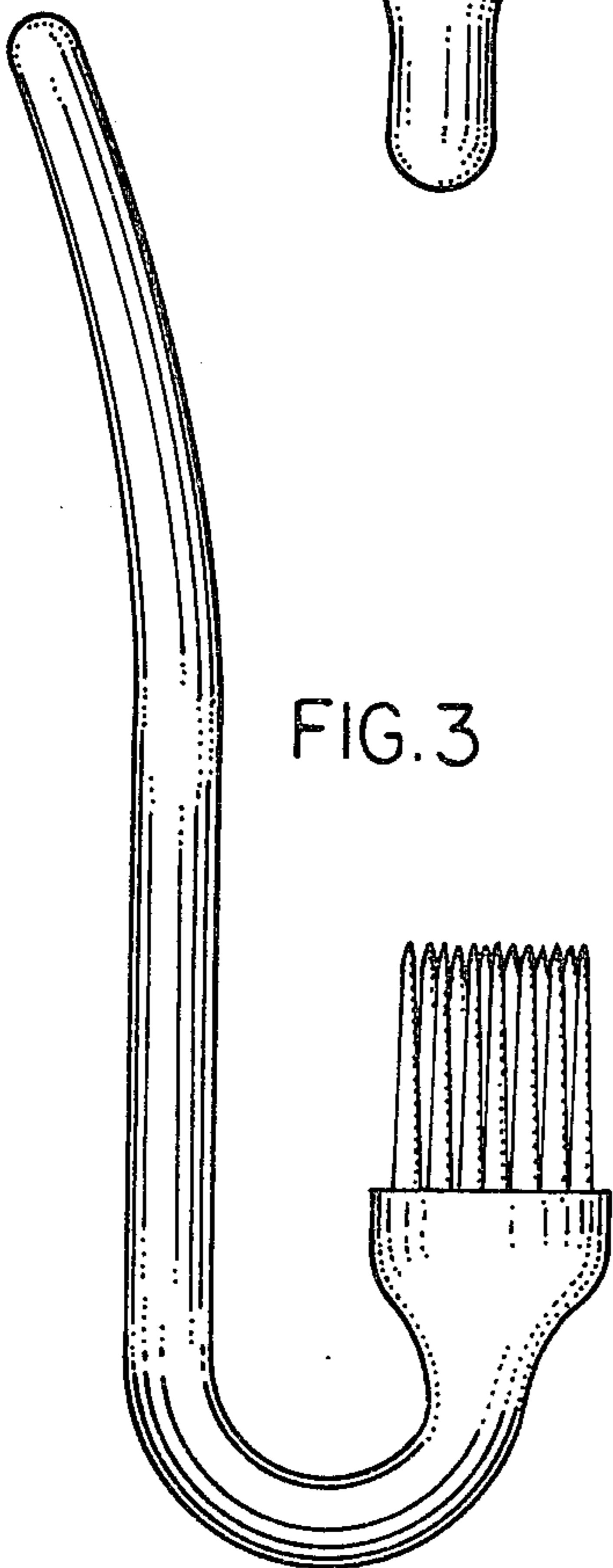


FIG. 4

