

**United States Patent** [19]  
**Carr**

[11] Patent Number: **Des. 275,717**  
[45] Date of Patent: **\*\* Oct. 2, 1984**

[54] **CARRYING CASE FOR A BASKETBALL OR THE LIKE**

[76] Inventor: **André Carr**, 6815 Chew Ave., Philadelphia, Pa. 19119

[\*\*] Term: **14 Years**

[21] Appl. No.: **375,345**

[22] Filed: **May 5, 1982**

[52] U.S. Cl. .... **D3/36; D3/71**

[58] Field of Search ..... **D3/30.1, 32, 33, 36-38, D3/71, 76; 150/52 R, 52 G, 52 A; 206/315.9**

[56] **References Cited**

**U.S. PATENT DOCUMENTS**

D. 198,426 6/1964 Nupp ..... D3/73  
D. 235,384 6/1975 Therlkas .  
D. 246,138 10/1977 Christensen et al. .... D3/38

1,680,652 8/1928 Walinsky ..... D3/76  
1,682,030 8/1928 Berg ..... D3/76  
1,717,587 6/1929 Shipley .  
3,316,951 5/1967 Jacobson .  
3,336,961 8/1967 Welsh .  
3,998,304 12/1976 Edgerton et al. .... D3/76

*Primary Examiner*—George P. Word  
*Attorney, Agent, or Firm*—Jacob Trachtman

[57] **CLAIM**

The ornamental design for a carrying case for a basketball or the like, substantially as shown.

**DESCRIPTION**

FIG. 1 is a perspective view of a carrying case for a basketball showing my new design;  
FIG. 2 is a rear elevational view thereof;  
FIG. 3 is a top plan view thereof;  
FIG. 4 is a bottom plan view thereof; and  
FIG. 5 is a right end elevational view thereof.

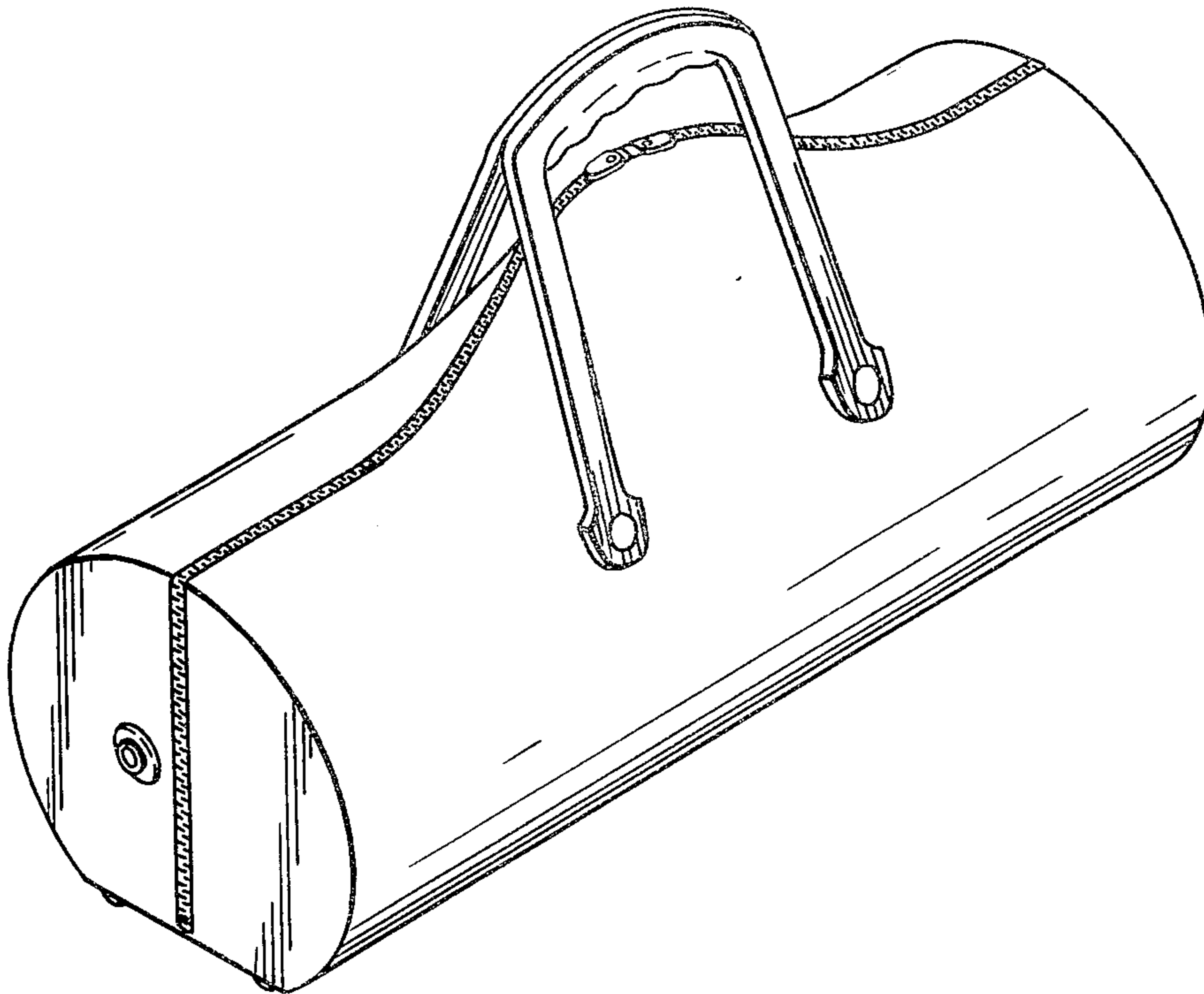


FIG. 1

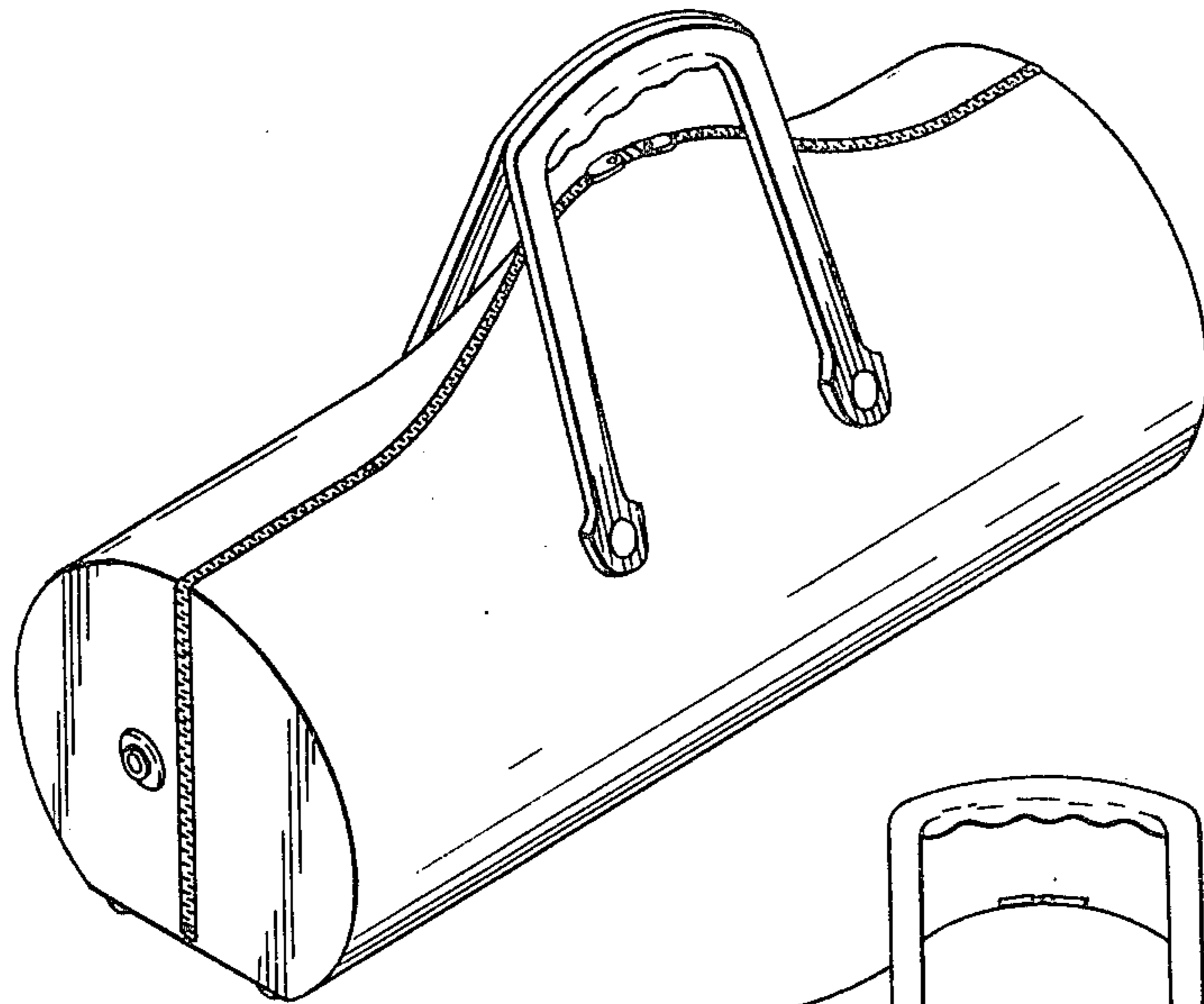


FIG. 2

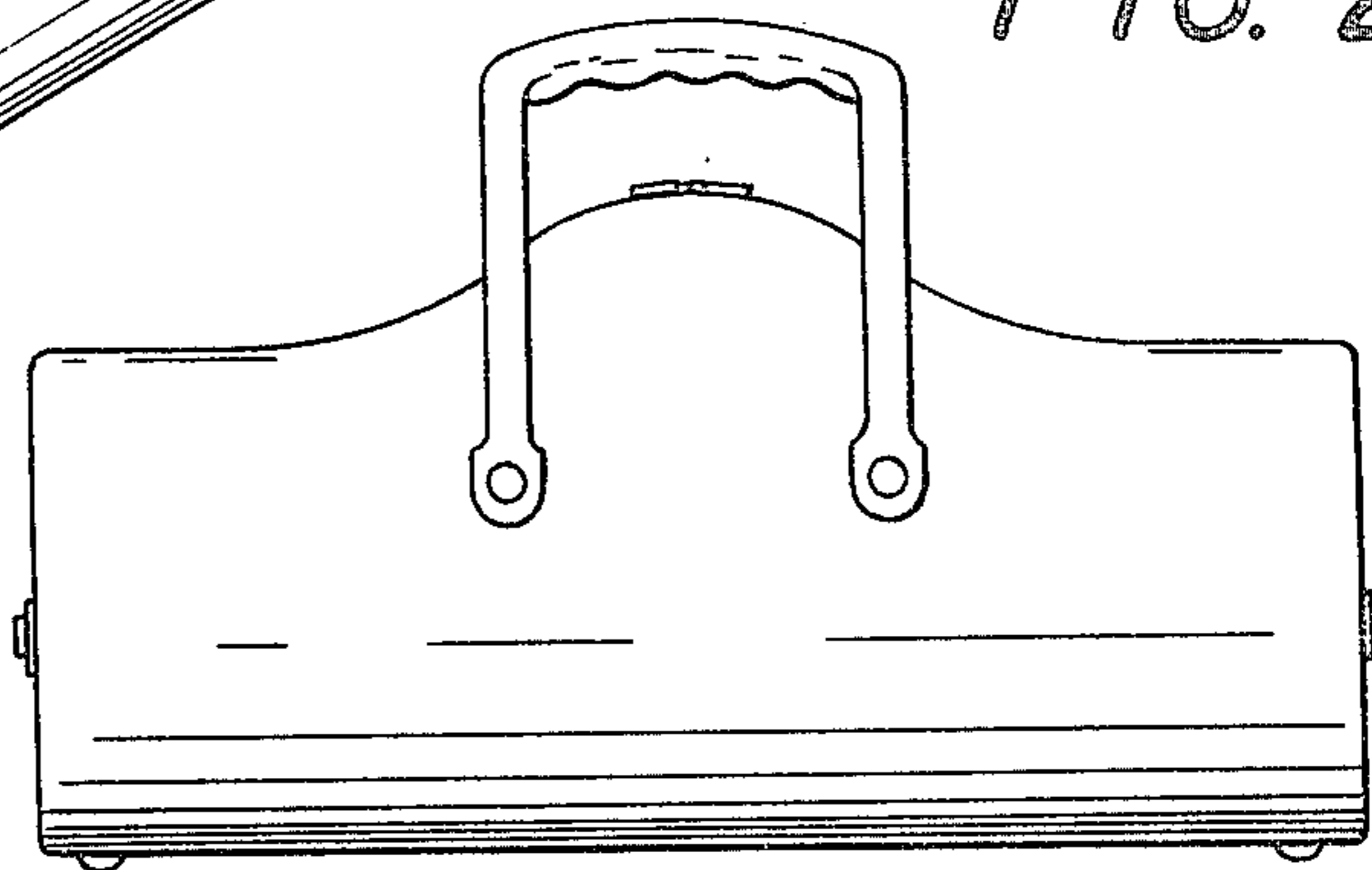


FIG. 3

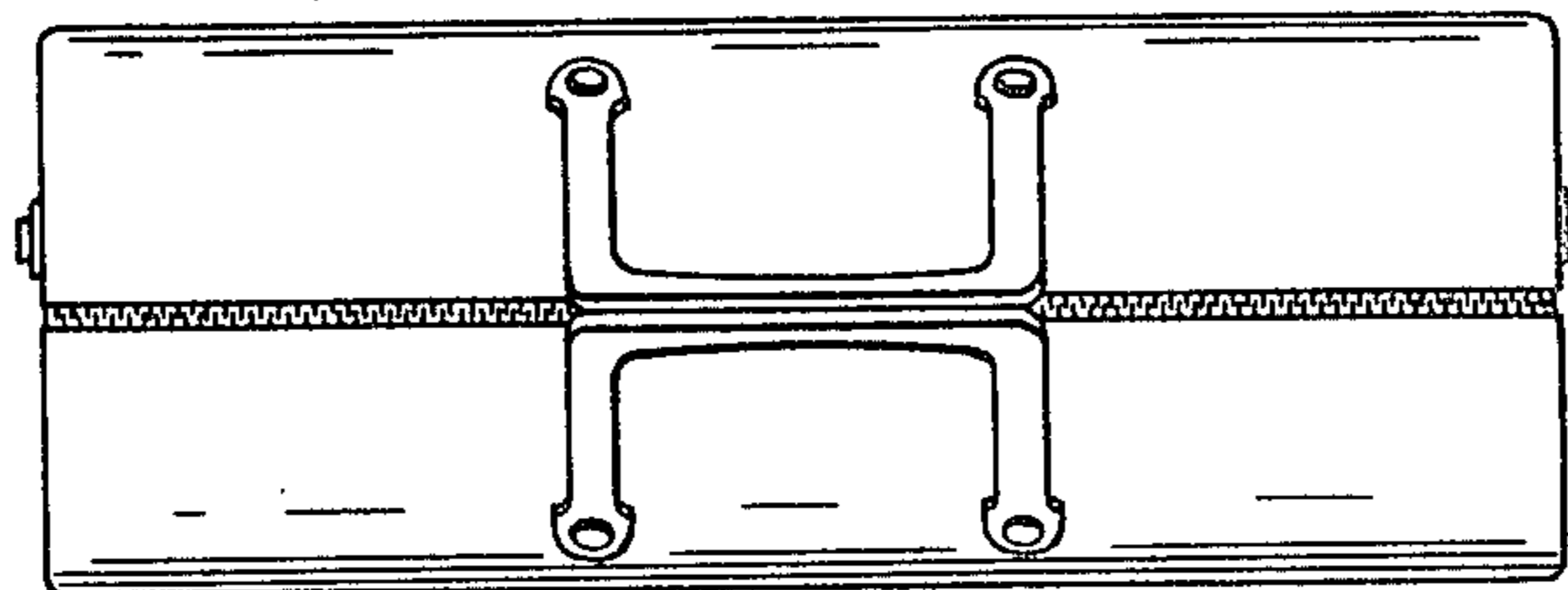


FIG. 5

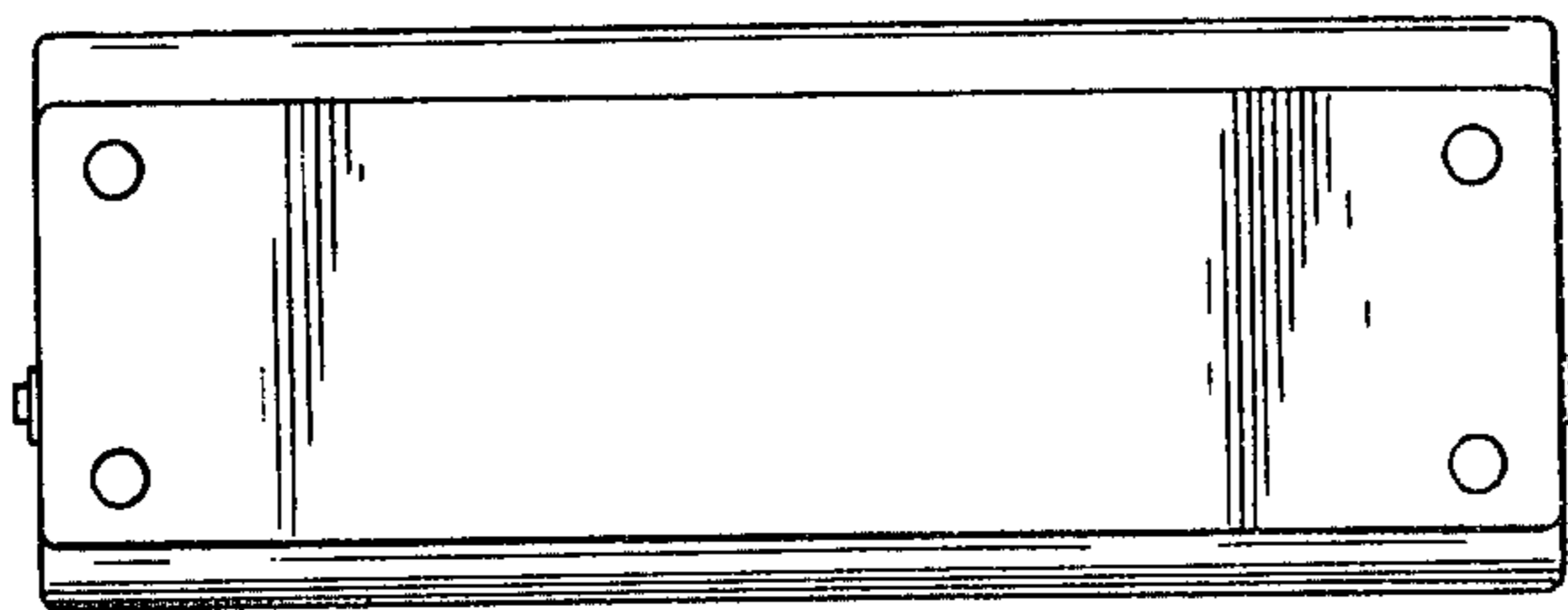
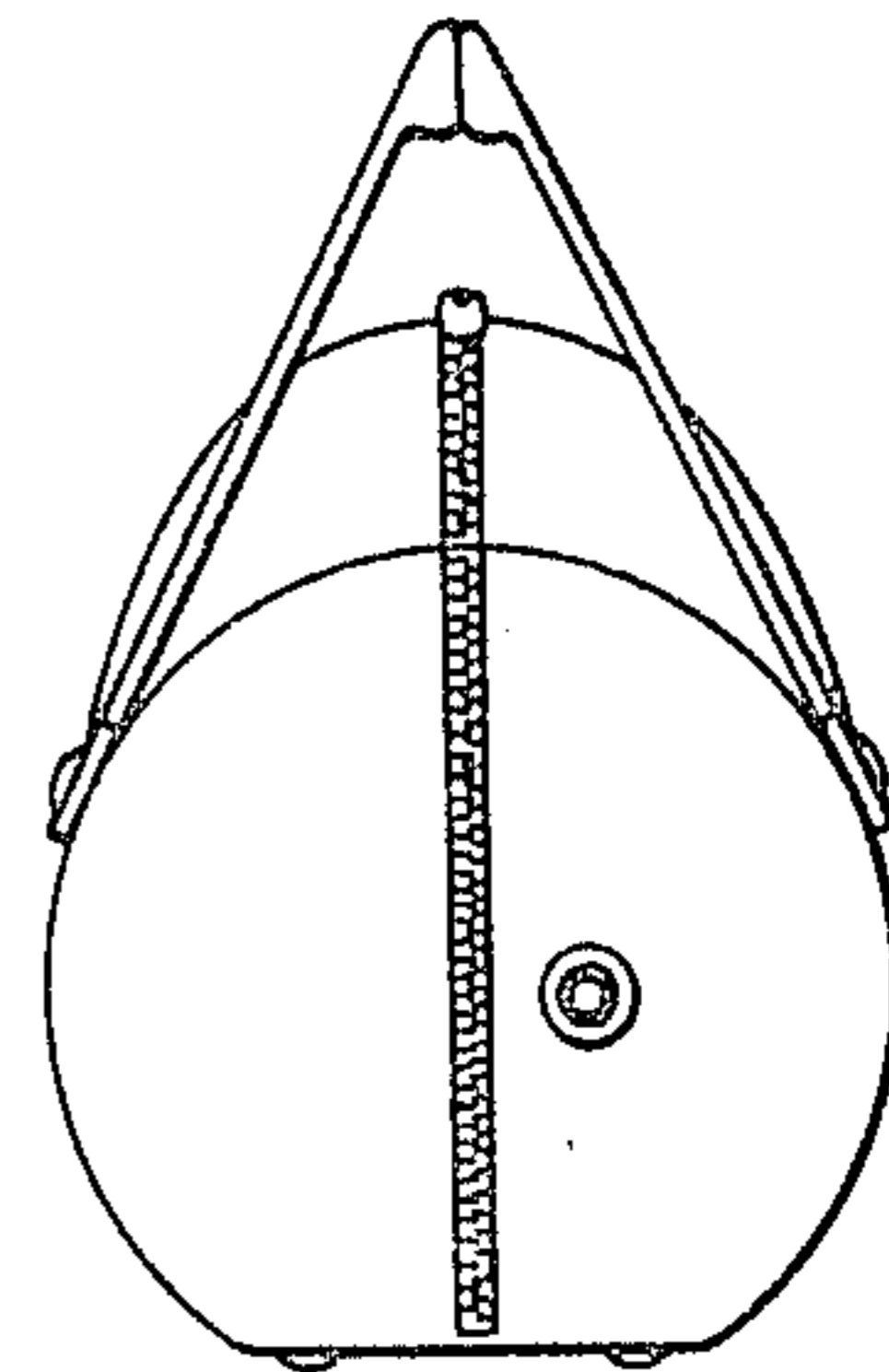


FIG. 4