

[54] **COSMETIC COMPACT**

[75] **Inventor: John O. Bosworth, Upper Nyack, N.Y.**

[73] **Assignee: Revlon, Inc., New York, N.Y.**

[**] **Term: 14 Years**

[21] **Appl. No.: 407,404**

[22] **Filed: Aug. 12, 1982**

[52] **U.S. Cl. D28/82; D9/347**

[58] **Field of Search D28/4-7, D28/38, 61, 73, 76-84; D3/39; D9/347, 420, 424; 220/DIG. 26, 337, 338; 206/235, 385, 581, 823; 132/79 R, 79 A, 79 C, 79 D, 79 F, 79 G, 82 R, 82 A, 82 C, 82 D, 82 F, 83 R, 83 C, 83 F**

[56] **References Cited**

U.S. PATENT DOCUMENTS

D. 158,253 4/1950 Gantz D28/73
2,278,866 4/1942 Dellèlba D28/83 X

3,616,487 11/1971 Dearth 220/337 X

Primary Examiner—Louis S. Zarfes

[57] **CLAIM**

The ornamental design for a cosmetic compact, as shown and described.

DESCRIPTION

FIG. 1 is a front-side perspective view of a cosmetic compact showing my new design; FIG. 2 is a top plan view thereof; FIG. 3 is a front elevational view thereof; FIG. 4 is a back elevational view thereof; FIG. 5 is a side elevational view of the side shown in FIG. 1; FIG. 6 is a front-side perspective view showing the top in an open position; FIG. 7 is a cross-sectional view along line 7-7 of FIG. 6; and FIG. 8 is a cross-sectional view along line 8-8 of FIG. 6.

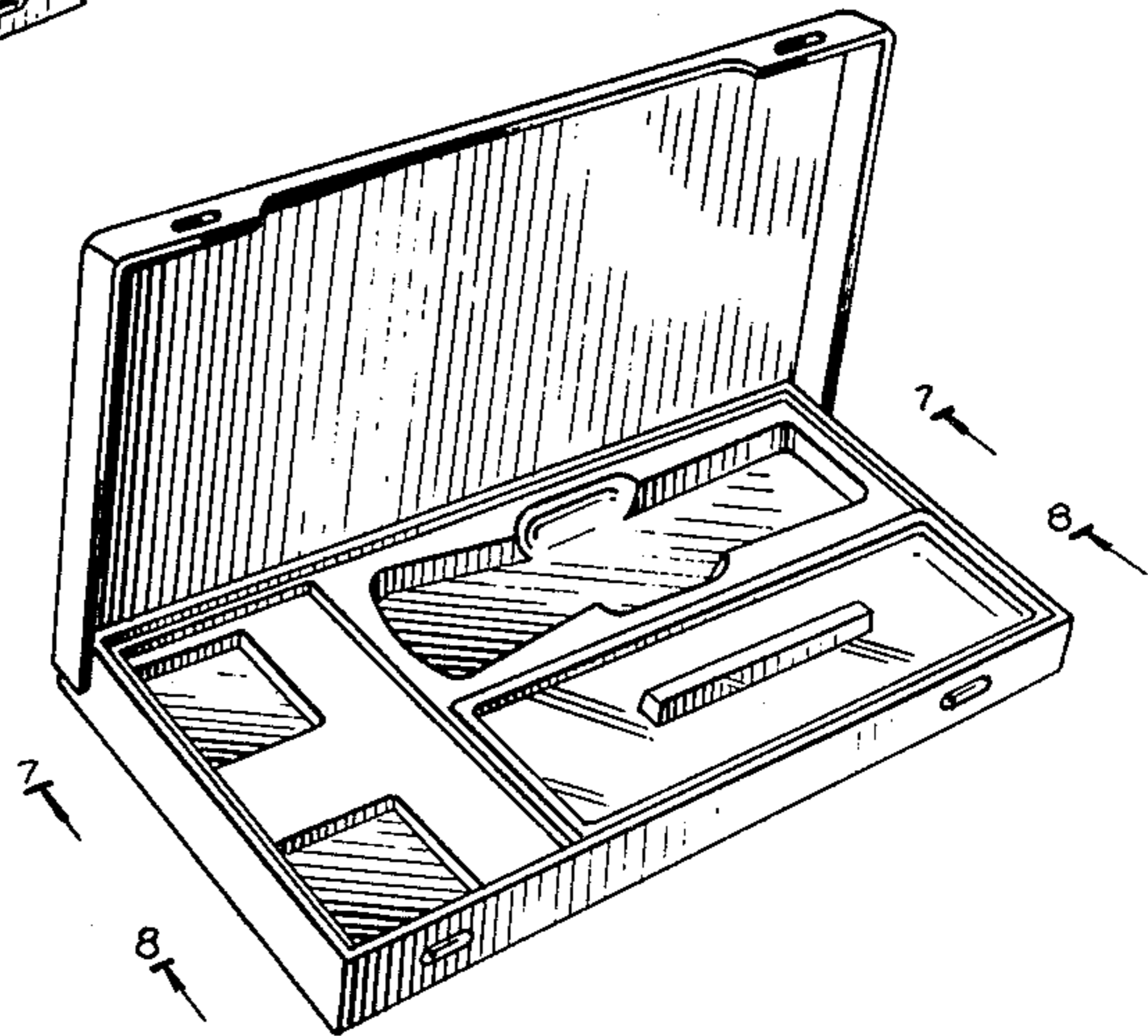
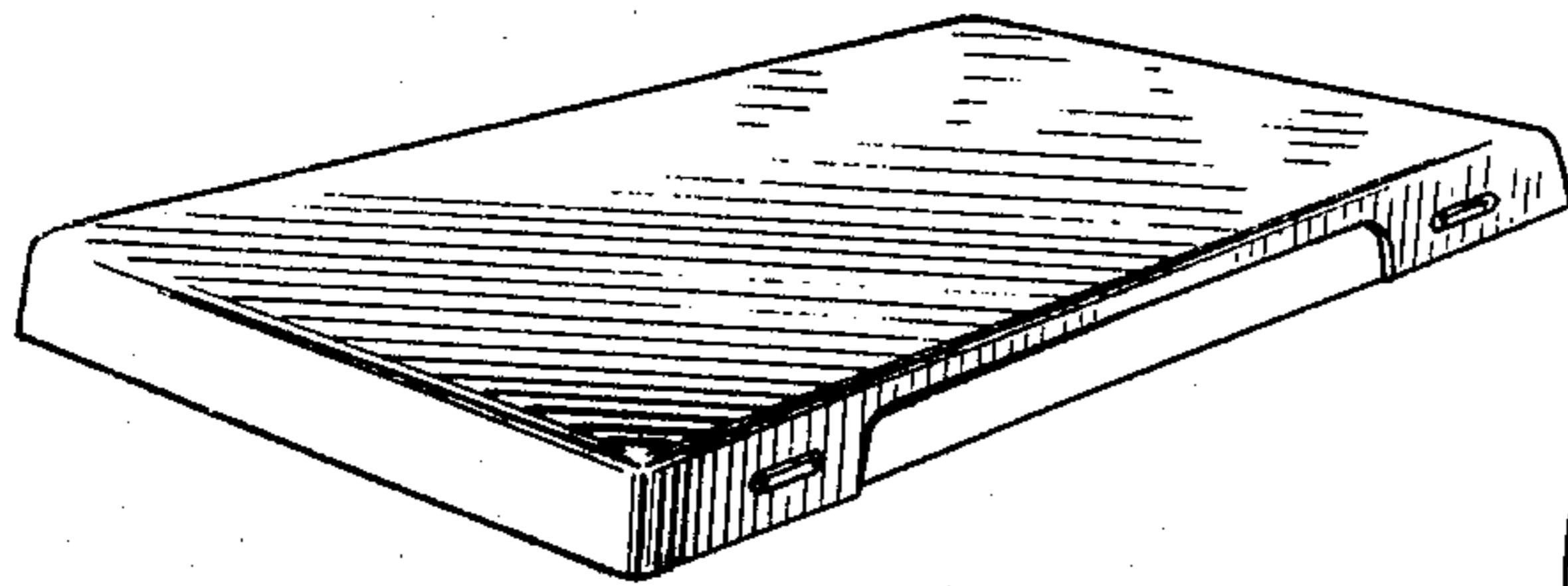


Fig. 1.

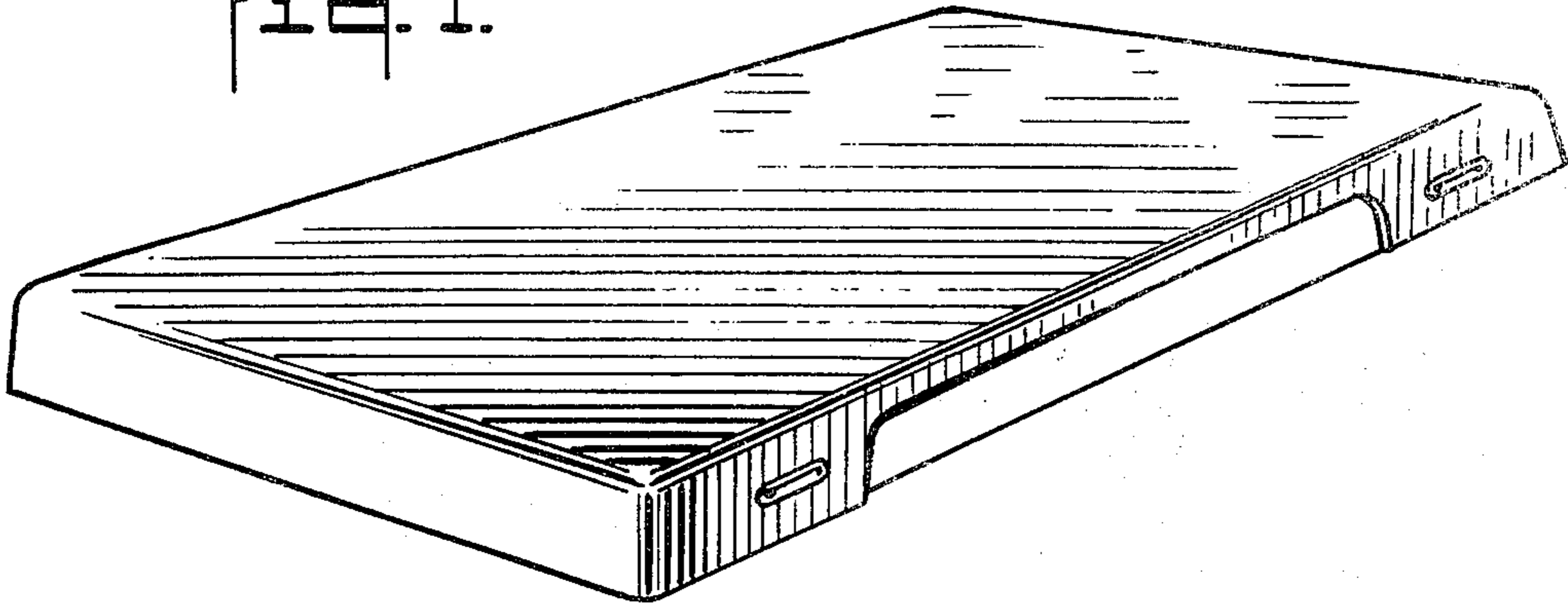


Fig. 2.

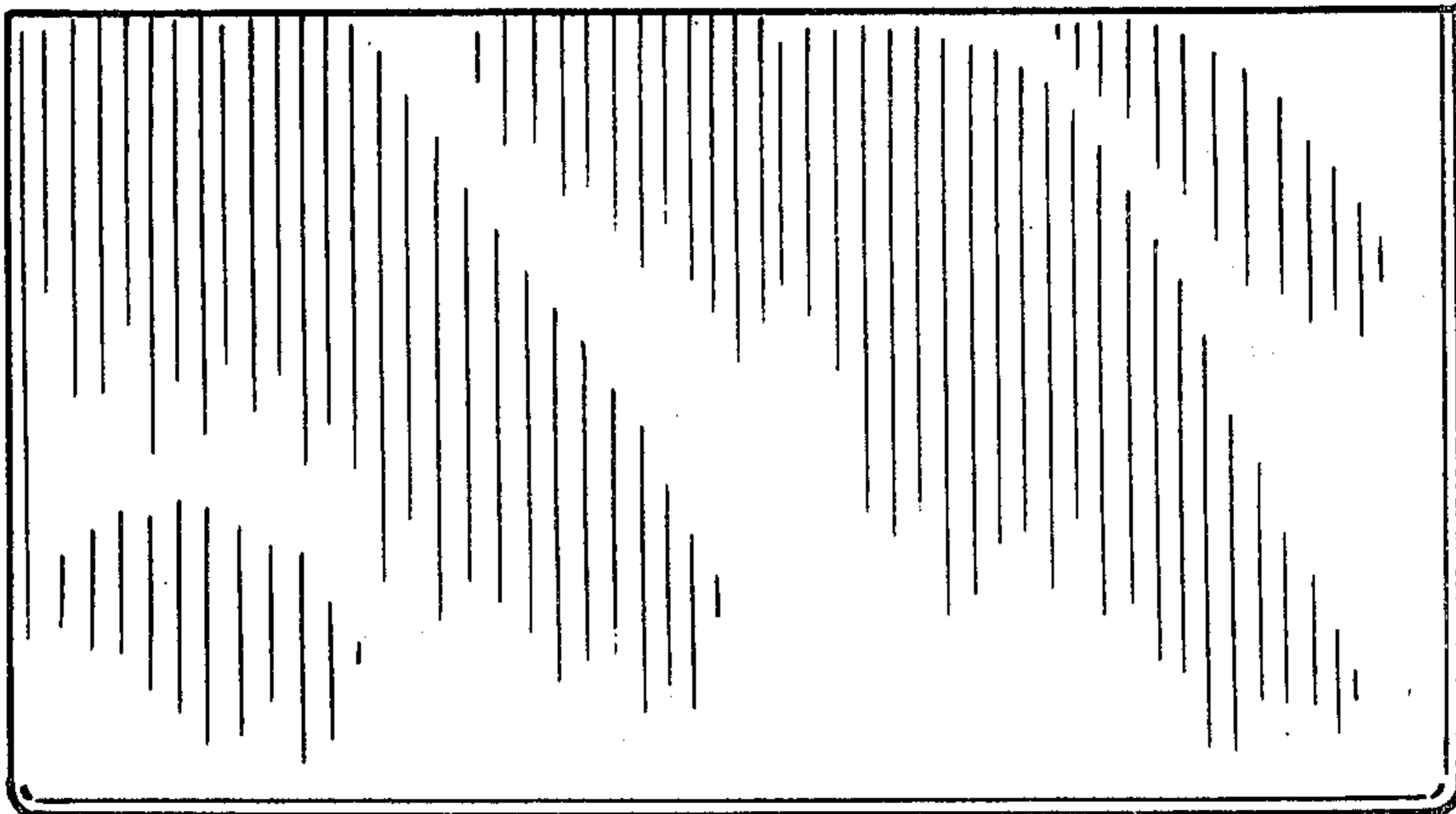


Fig. 3.



Fig. 4.



Fig. 5.



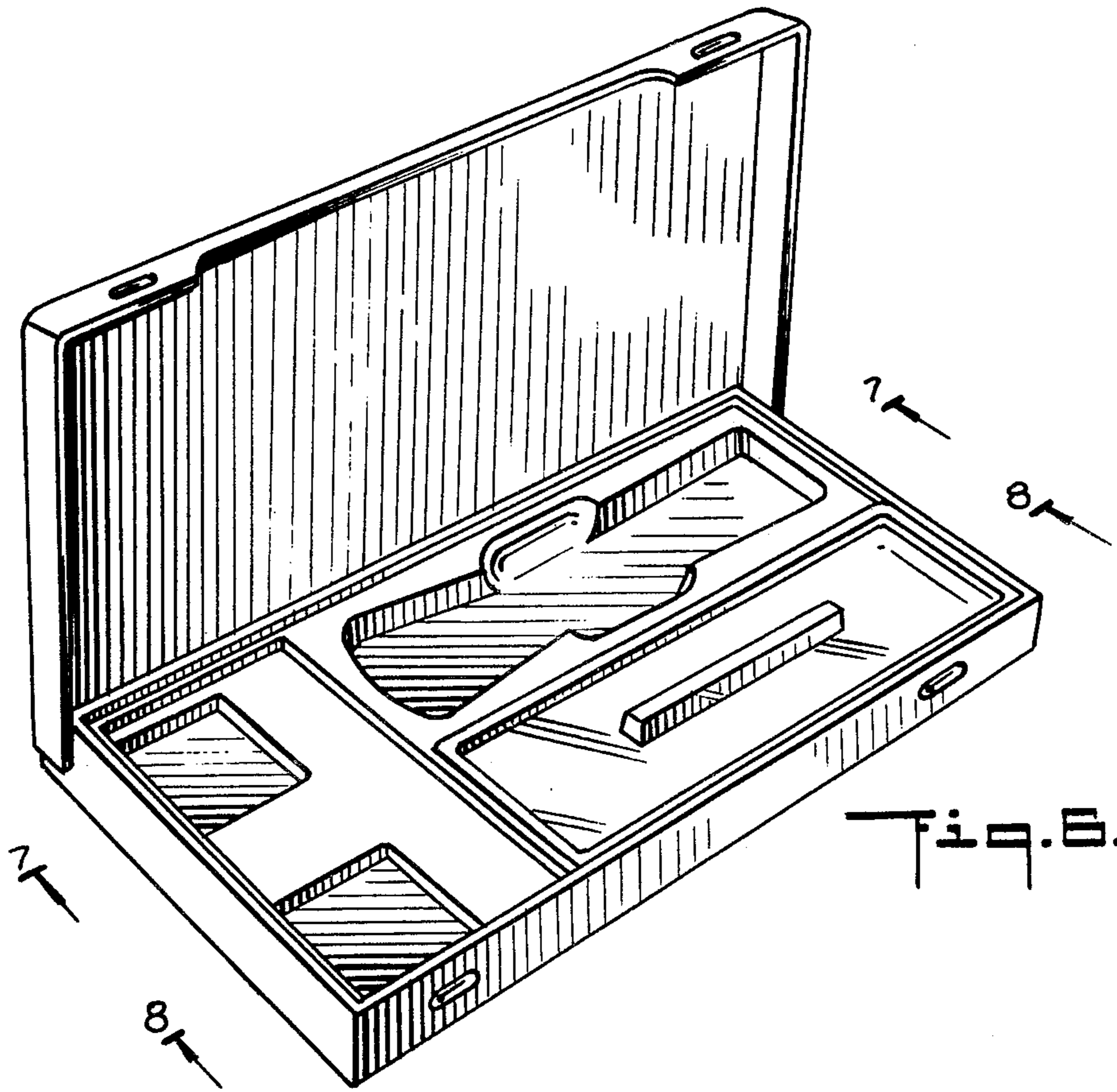


Fig. 6.

Fig. 7.

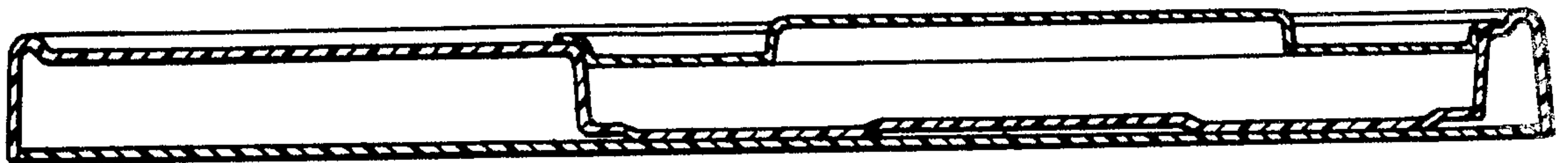
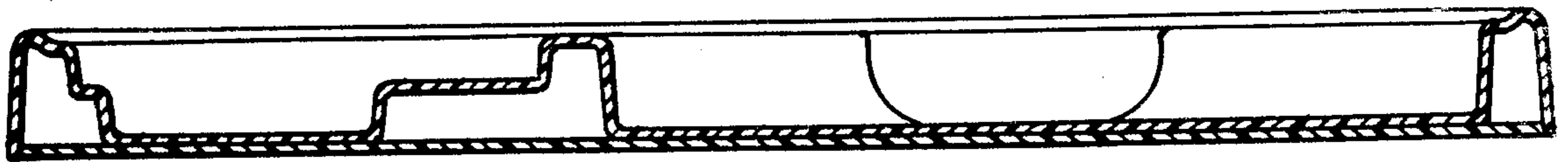


Fig. 8.