

[54] ADJUSTABLE COSMETIC APPLICATOR

[76] Inventors: Henry J. Cassai, 163-47 85 St., Howard Beach, N.Y. 11414; Gino H. Cassai, 924 E. 96th St., Brooklyn, N.Y. 11236

[**] Term: 14 Years

[21] Appl. No.: 381,586

[22] Filed: May 24, 1982

[52] U.S. Cl. D28/7

[58] Field of Search D28/4, 7, 99; D4/13, D4/17, 20, 24; 132/79 A, 79 B, 88.5, 88.7, DIG. 3; 15/107, 104.93, 104.94, 167 B; 401/99, 115, 118-130, 268

[56] References Cited

U.S. PATENT DOCUMENTS

D. 200,457	2/1965	Sasnor	D28/7 X
878,437	2/1908	Volger	401/129 X
2,917,766	12/1959	Ciffo	401/129 X
4,165,755	8/1979	Cassai	132/88.7

Primary Examiner—Louis S. Zarfes

[57] CLAIM

The ornamental design for an adjustable cosmetic applicator, as shown and described.

DESCRIPTION

FIG. 1 is a side elevational view of an adjustable cosmetic applicator showing our new design;
 FIG. 2 is a front elevational view of the cosmetic applicator;
 FIG. 3 is a rear elevational view of the cosmetic applicator;
 FIG. 4 is a top plan view thereof;
 FIG. 5 is a bottom plan view thereof;
 FIG. 6 is a top plan view of an adjustable cosmetic applicator showing a second embodiment of our new design wherein the tip is modified;
 FIG. 7 is a top plan view of an adjustable cosmetic applicator showing a third embodiment of our new design with another modification of the tip;
 FIG. 8 is a side elevational view of an adjustable cosmetic applicator showing a fourth embodiment of our new design;
 FIG. 9 is a side elevational view of an adjustable cosmetic applicator showing a fifth embodiment of our new design;
 FIG. 10 is a side elevational view of an adjustable cosmetic applicator showing a sixth embodiment of our new design;
 FIG. 11 is a front elevational view of modification FIG. 8; and
 FIG. 12 is a front elevational view of modification FIG. 10.

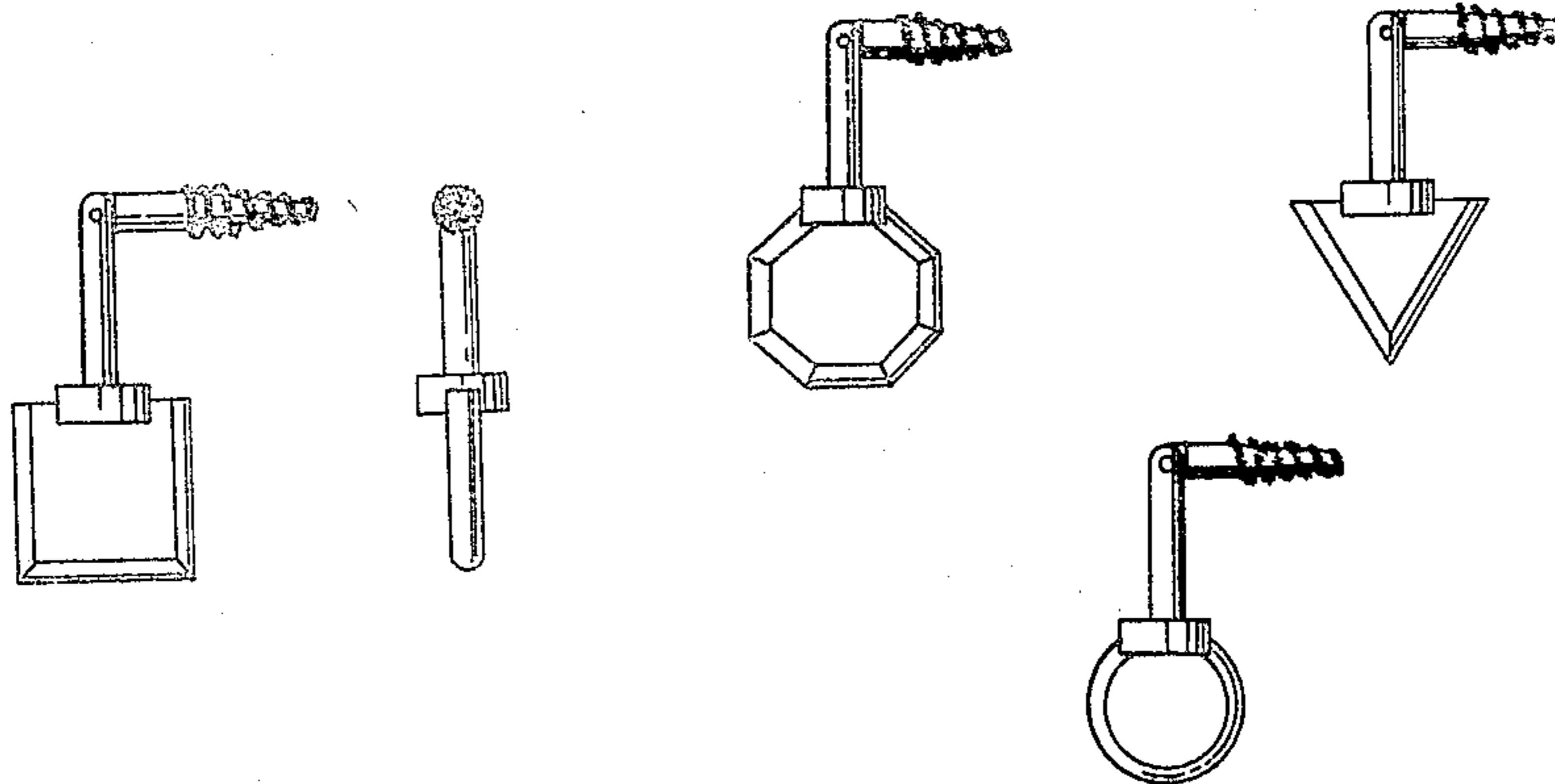


FIG. 1

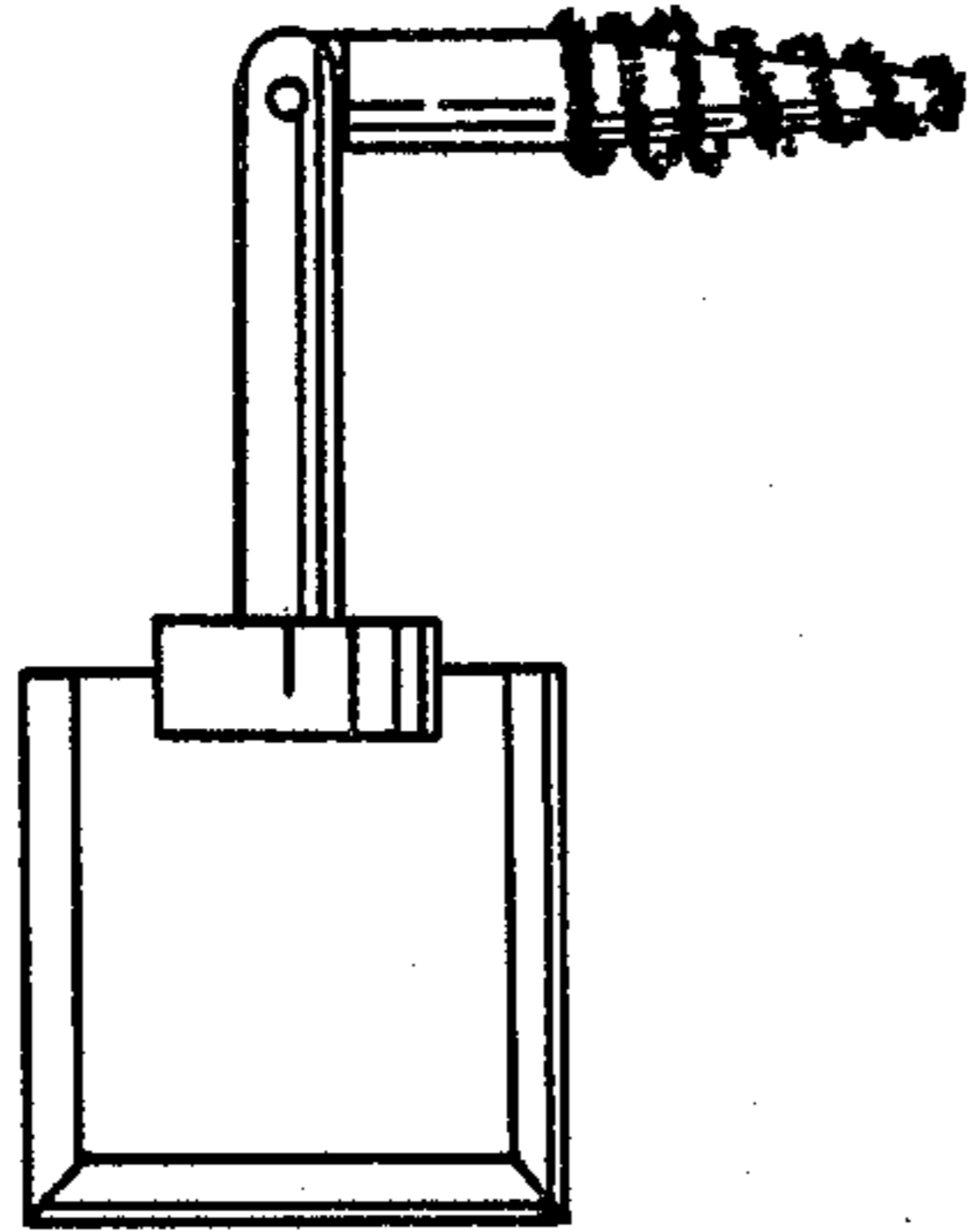


FIG. 2

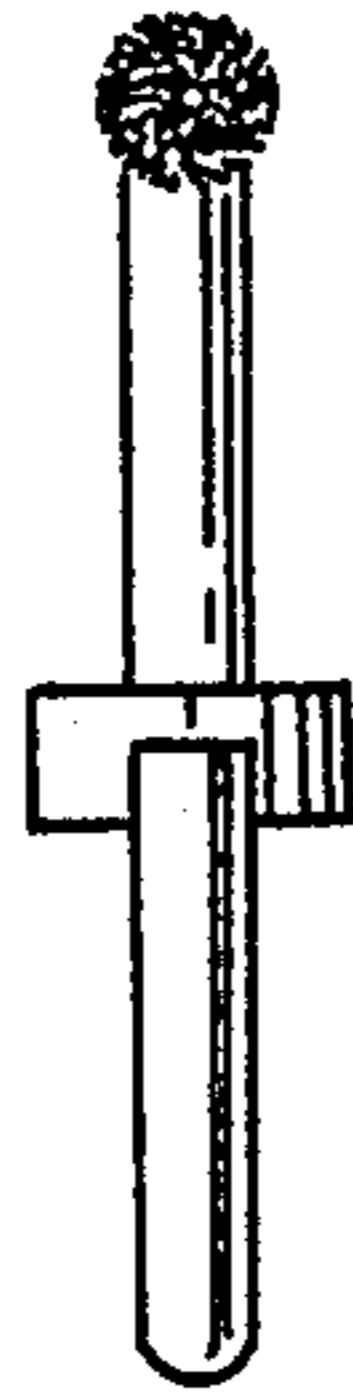


FIG. 3

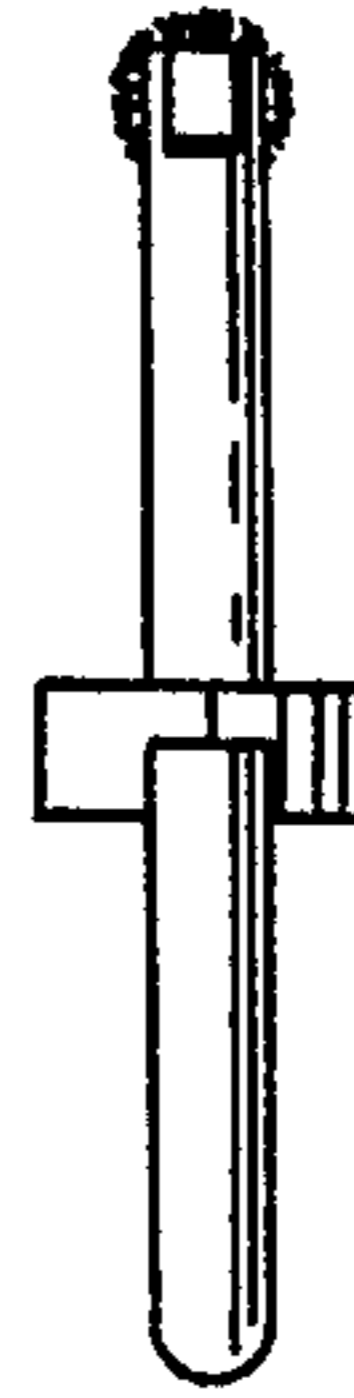


FIG. 4

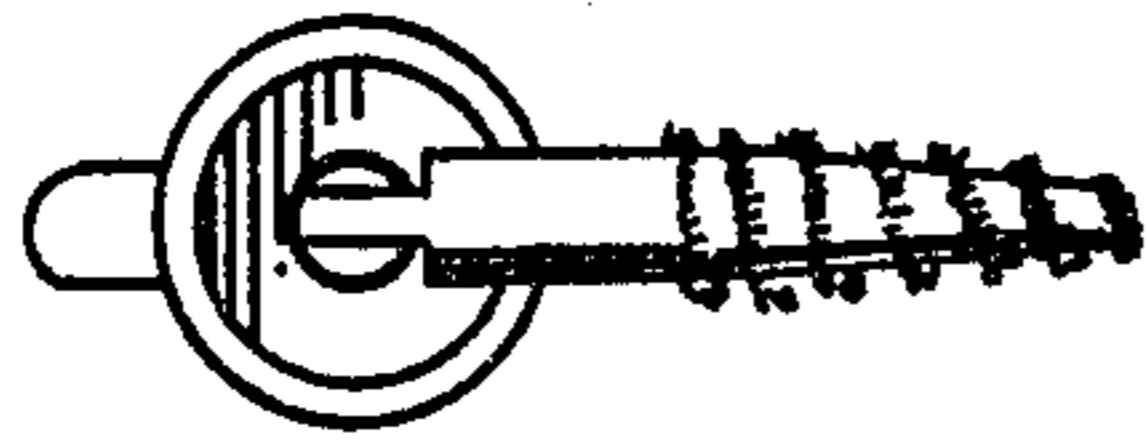


FIG. 5

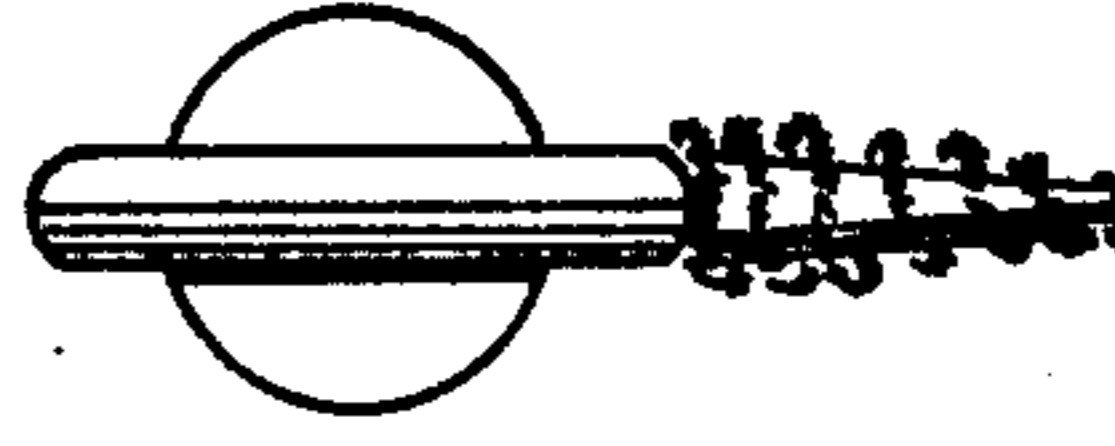


FIG. 6

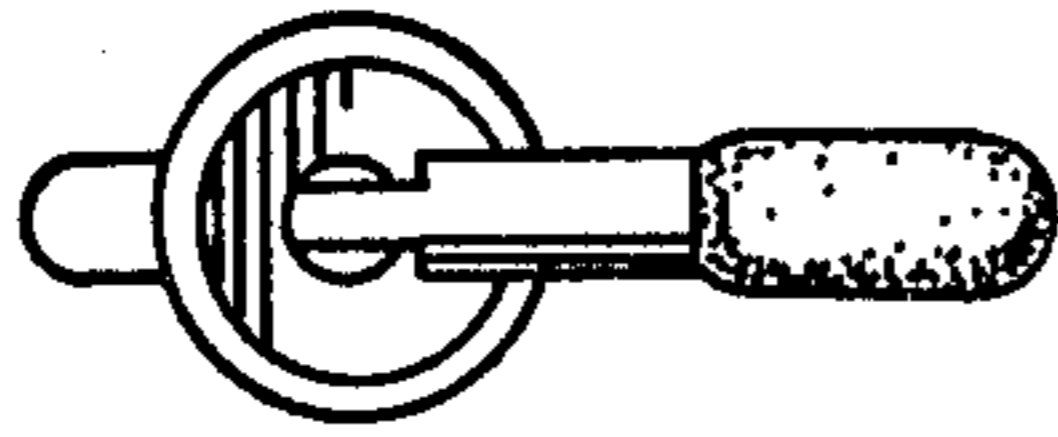


FIG. 7

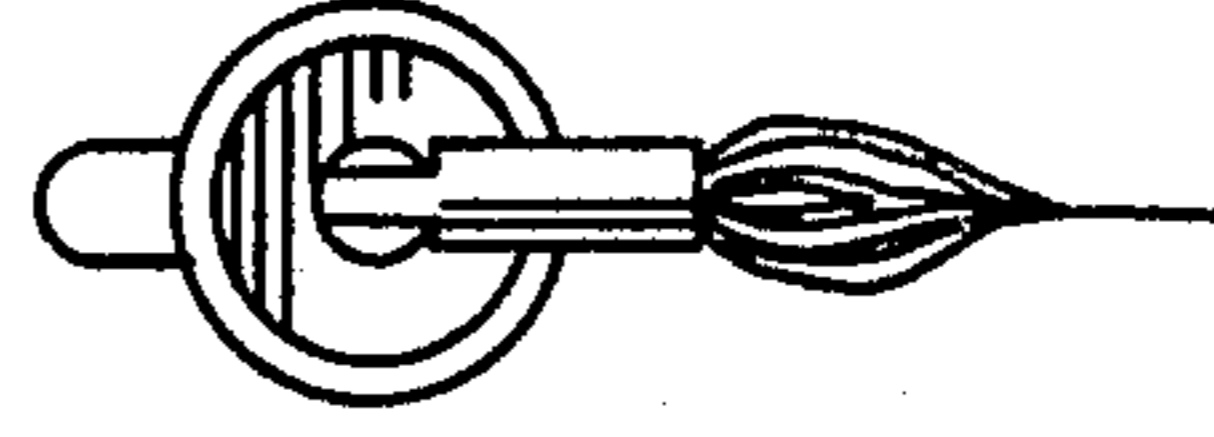


FIG. 8

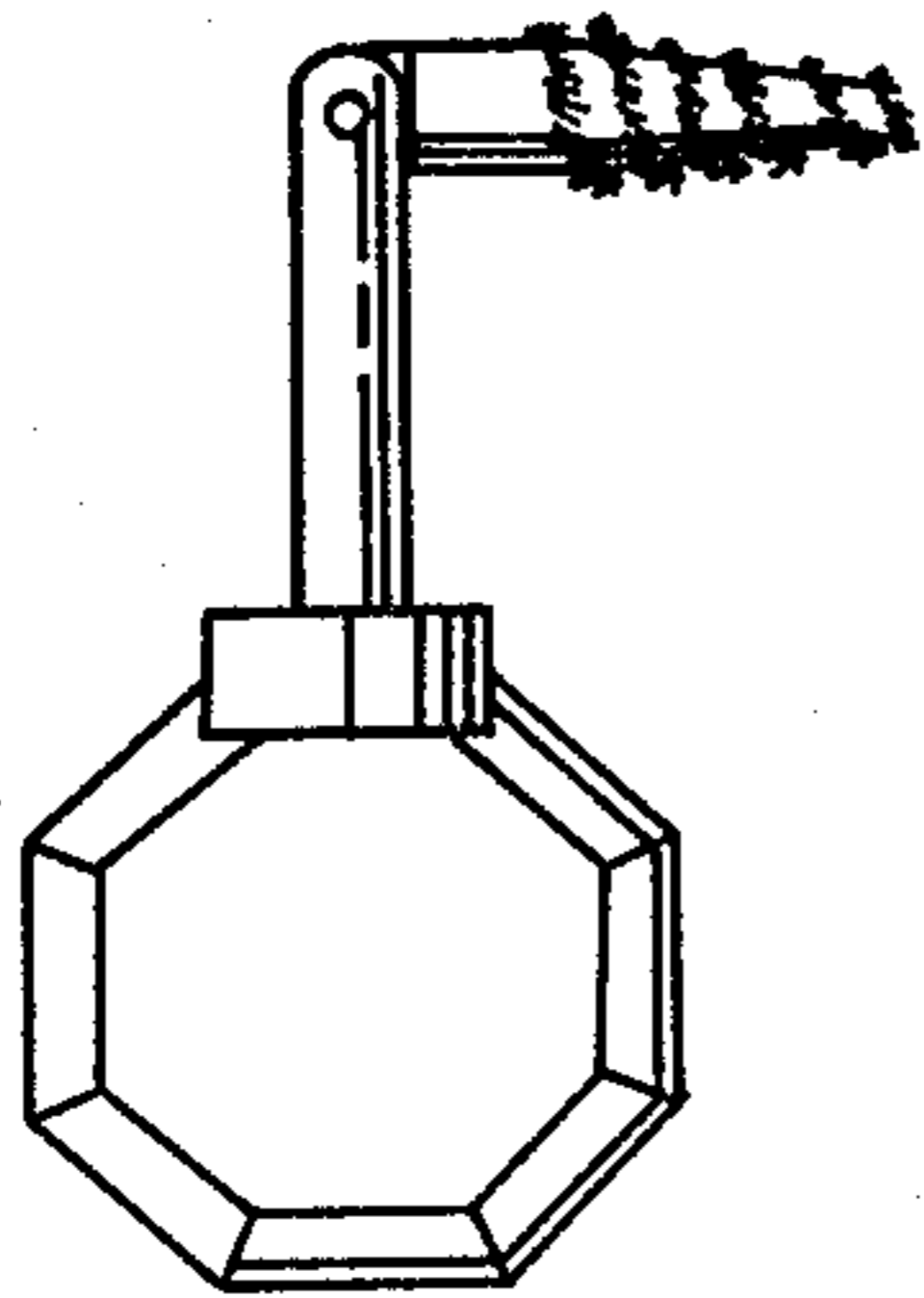


FIG. 9

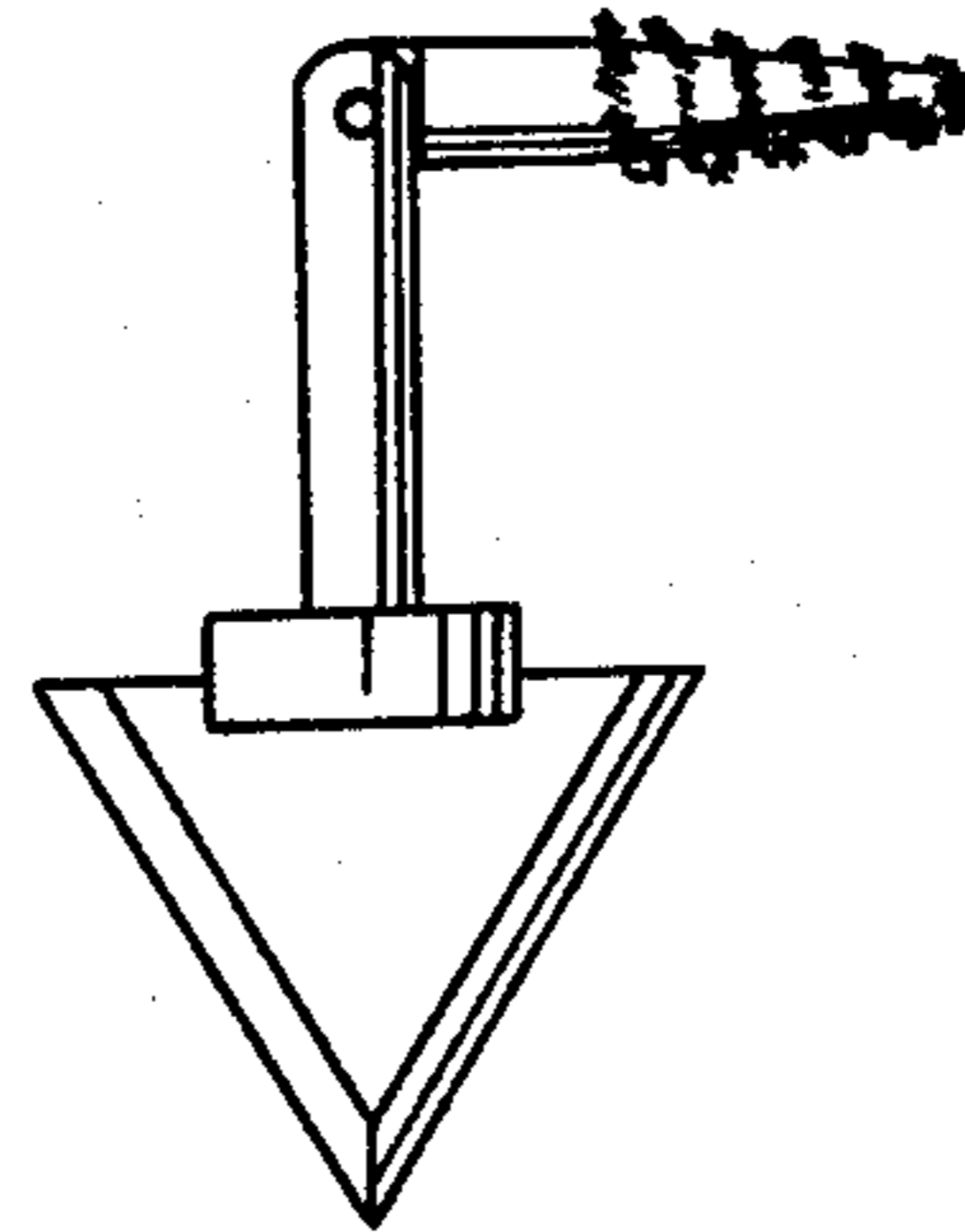


FIG. 10

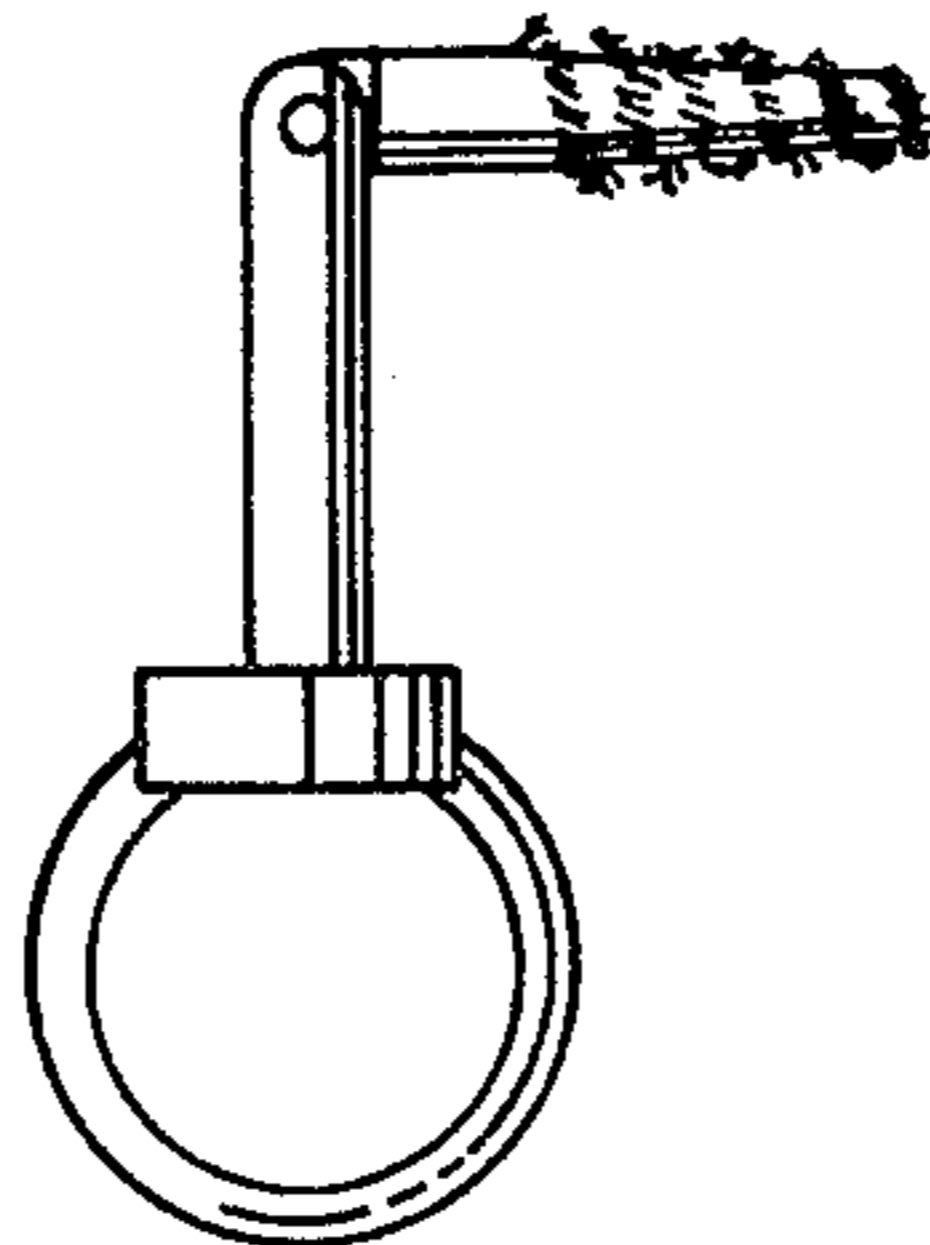


FIG. 11

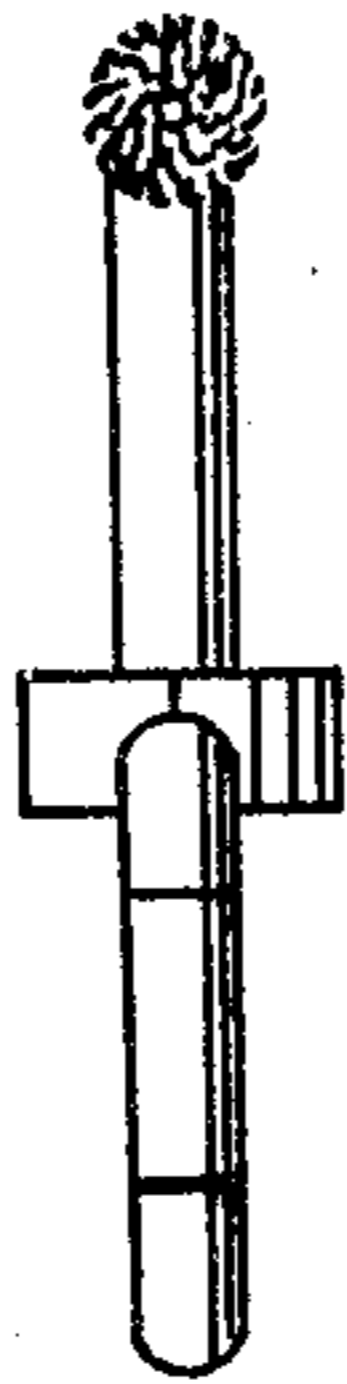


FIG. 12

