

[54] BATTERY CASE FOR PORTABLE ELECTRIC LIGHT

[76] Inventor: Anthony M. Mordica, 36 Sharmon
Dr., Hattiesburg, Miss. 39401

[**] Term: 14 Years

[21] Appl. No.: 426,031

[22] Filed: Sep. 28, 1982

[52] U.S. Cl. D26/48

[58] Field of Search D26/37-50;
362/157, 158, 183-208

[56] References Cited

U.S. PATENT DOCUMENTS

- D. 173,423 1/1954 Garland .
- D. 190,760 6/1961 Jones .
- D. 214,254 5/1969 Cheslock D26/48
- 2,608,639 8/1952 Packer et al. .

- 2,942,102 3/1958 Stoutenburgh .
- 3,601,595 8/1971 Kivela .
- 4,148,094 4/1979 Bennett 362/109

Primary Examiner—Susan J. Lucas
Attorney, Agent, or Firm—Dowell & Dowell

[57] CLAIM

The ornamental design for a battery case for portable electric light, as shown.

DESCRIPTION

FIG. 1 is a left side elevational view of my new design for a battery case for portable electric light.
 FIG. 2 is a top plan view thereof.
 FIG. 3 is a front elevational view thereof.
 FIG. 4 is a rear elevational view thereof.
 FIG. 5 is a bottom plan view thereof.
 FIG. 6 is a vertical sectional view taken along lines 6—6 of FIG. 2.

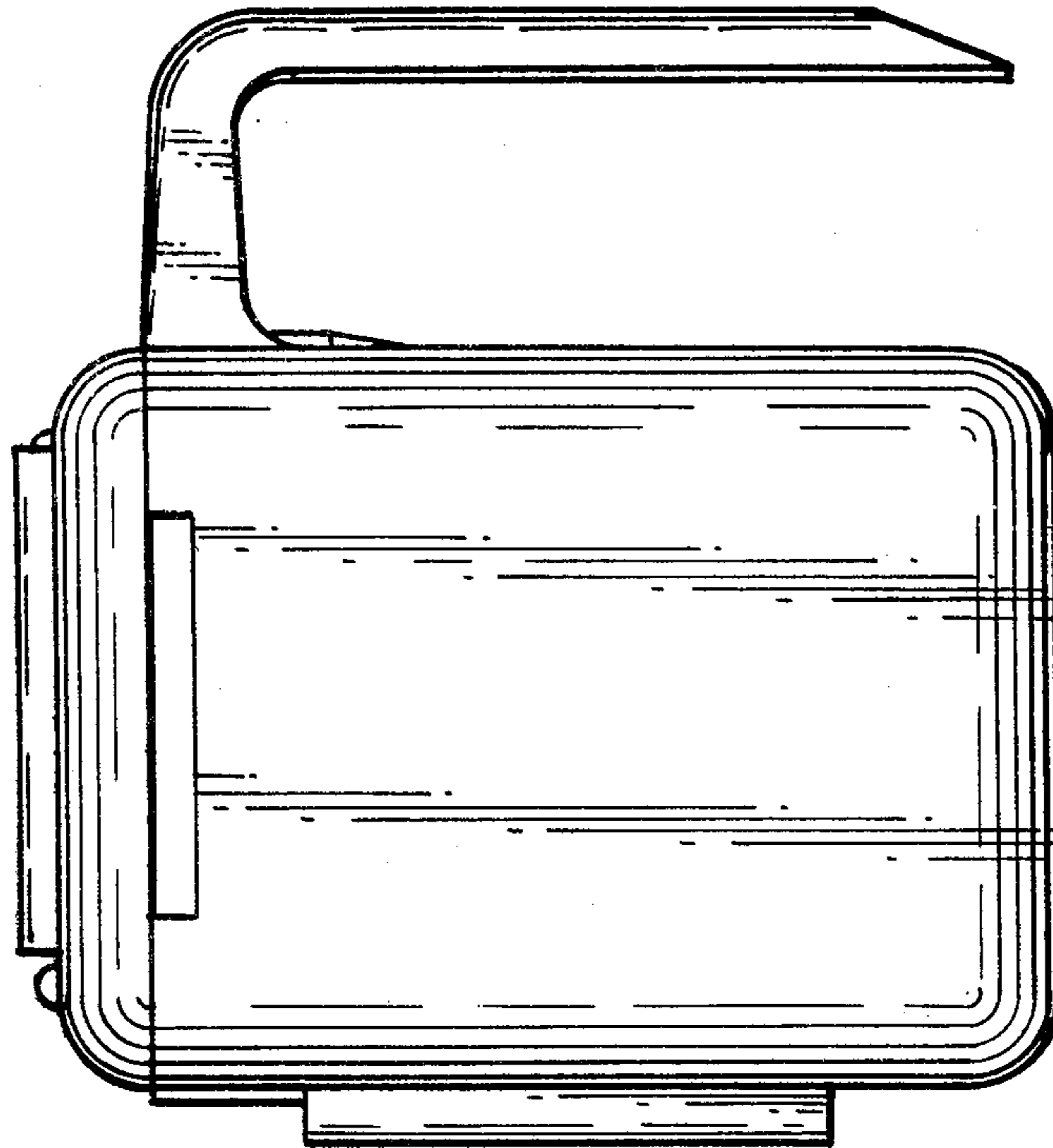


Fig. 1

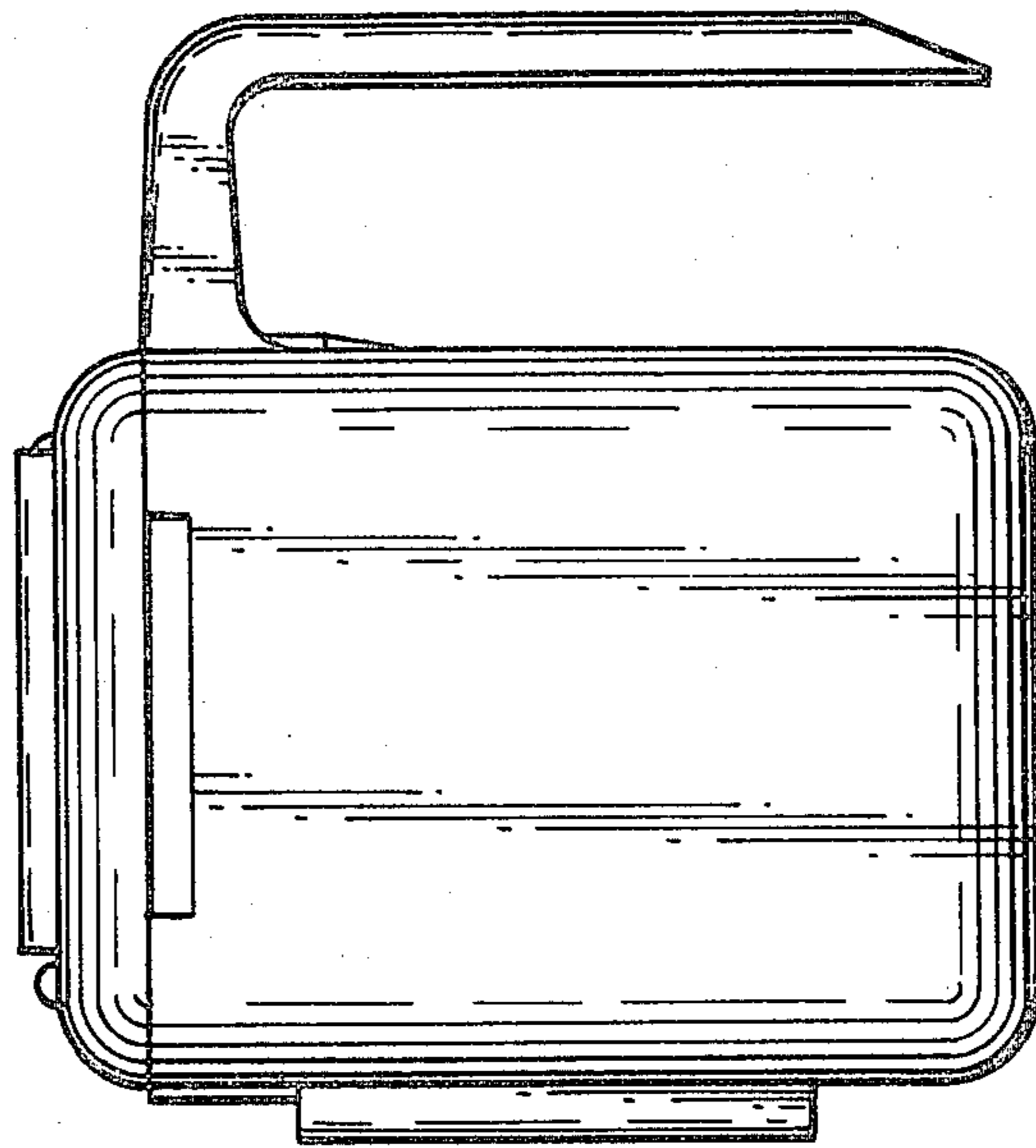


Fig. 2

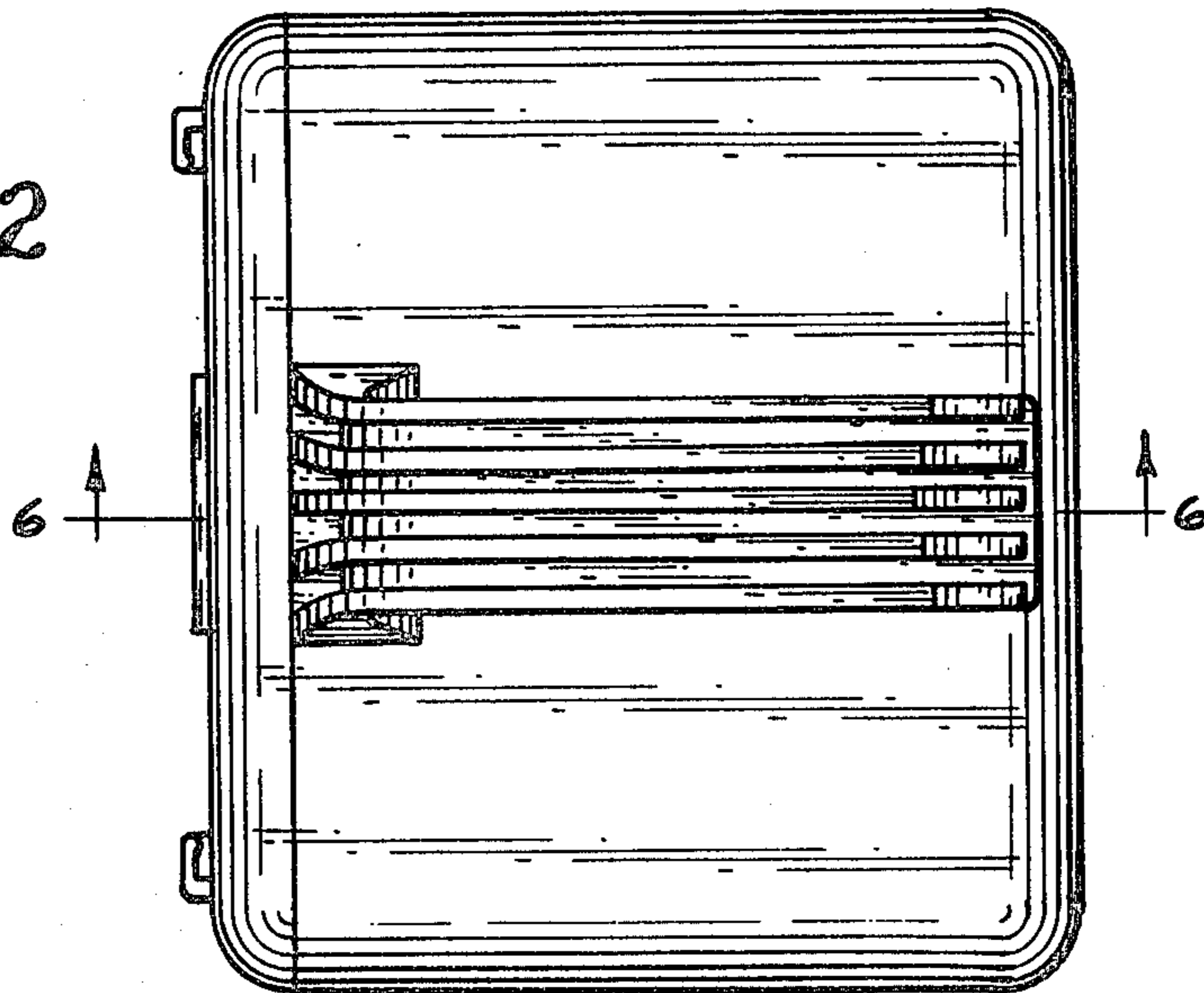


Fig. 3

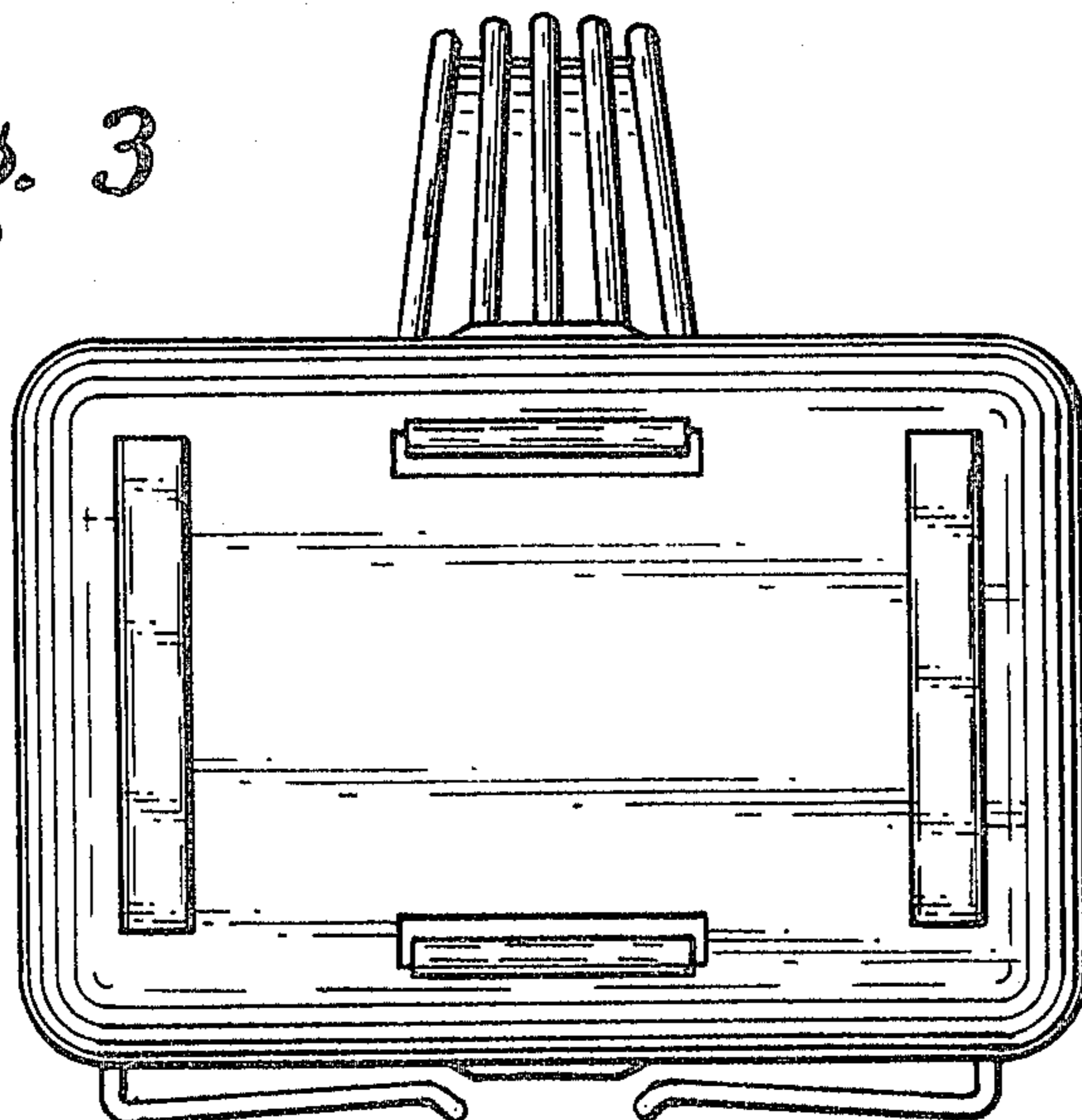


Fig. 4

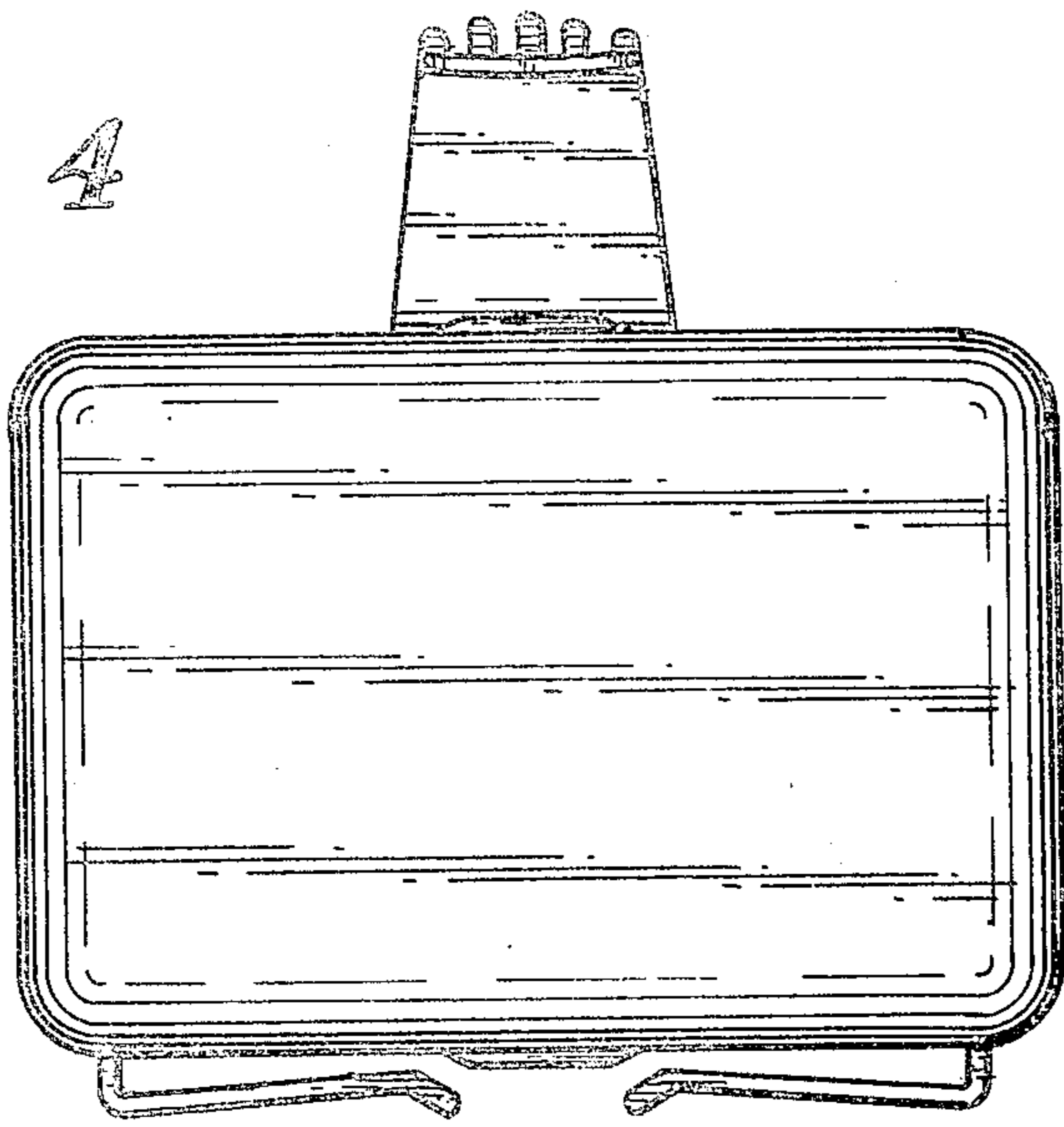


Fig. 5

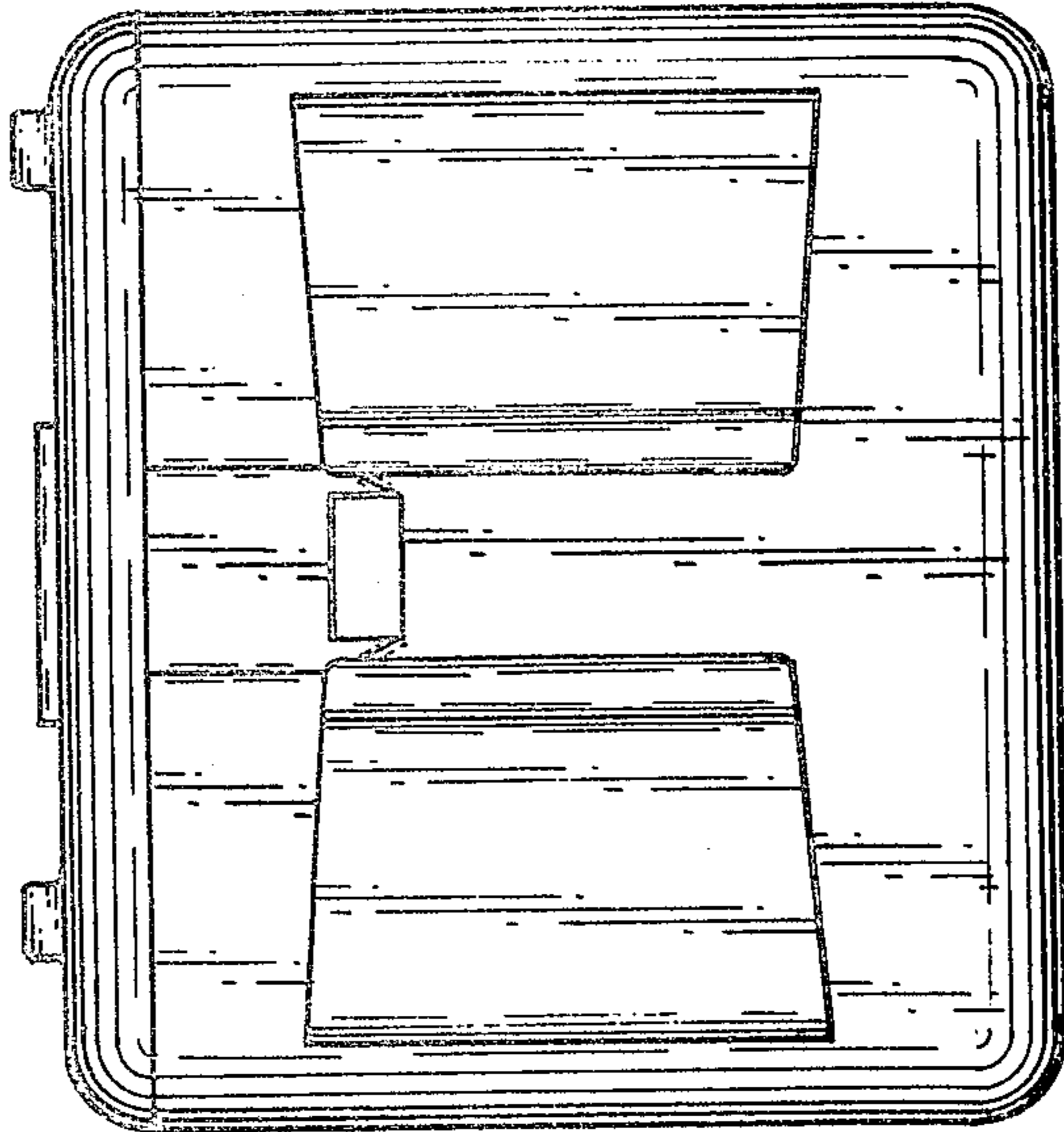


Fig. 6

