

[54] **INSPECTION LAMP**

[75] **Inventor: Jackey K. Lee, Kwai Chung, Hong Kong**

[73] **Assignee: Lomak Industrial Company Limited, Hong Kong, Hong Kong**

[\*\*] **Term: 14 Years**

[21] **Appl. No.: 273,673**

[22] **Filed: Jun. 15, 1981**

[30] **Foreign Application Priority Data**

Dec. 31, 1980 [GB] United Kingdom ..... 998286  
[52] **U.S. Cl. .... D26/37**  
[58] **Field of Search .... D26/24, 37-50;**  
362/103, 105, 106, 154, 156, 157, 158, 183, 184,  
186-208, 258, 387

[56]

**References Cited**

**U.S. PATENT DOCUMENTS**

3,439,159 4/1969 McRoskey et al. .... 362/258

**FOREIGN PATENT DOCUMENTS**

86687 2/1966 France ..... 362/190  
217932 9/1962 Japan ..... D26/49  
1142625 2/1969 United Kingdom ..... 362/190

*Primary Examiner*—Susan J. Lucas  
*Attorney, Agent, or Firm*—Warren B. Kice

[57]

**CLAIM**

The ornamental design for an inspection lamp, as shown.

**DESCRIPTION**

FIG. 1 is a front perspective view of an inspection lamp showing my new design;  
FIG. 2 is an opposite side elevational view thereof;  
FIG. 3 is a rear elevation view thereof;  
FIG. 4 is a bottom plan view thereof;  
FIG. 5 is a rear perspective view with the support and retractable connecting plug in alternate positions.

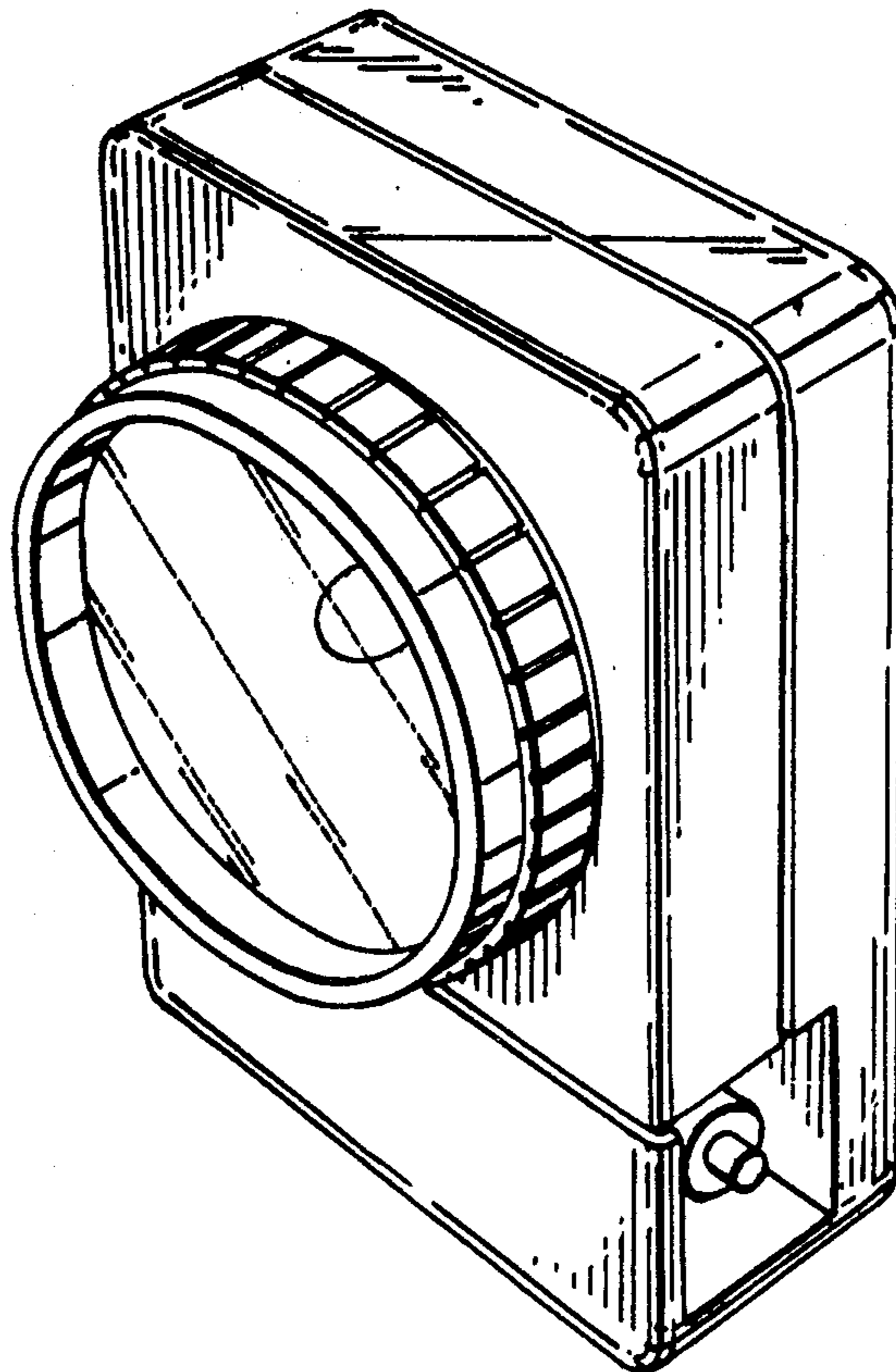


FIG. 1.

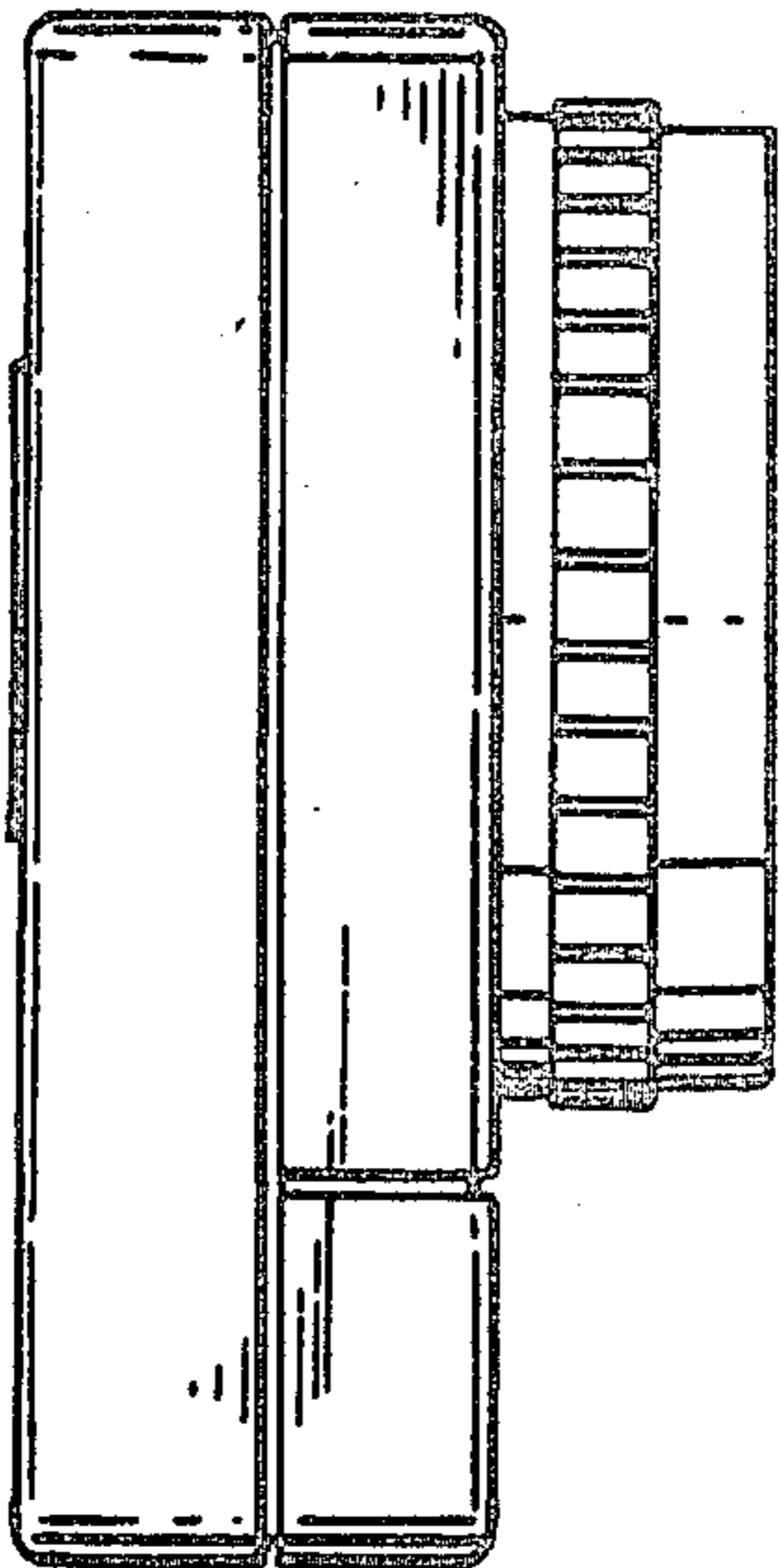
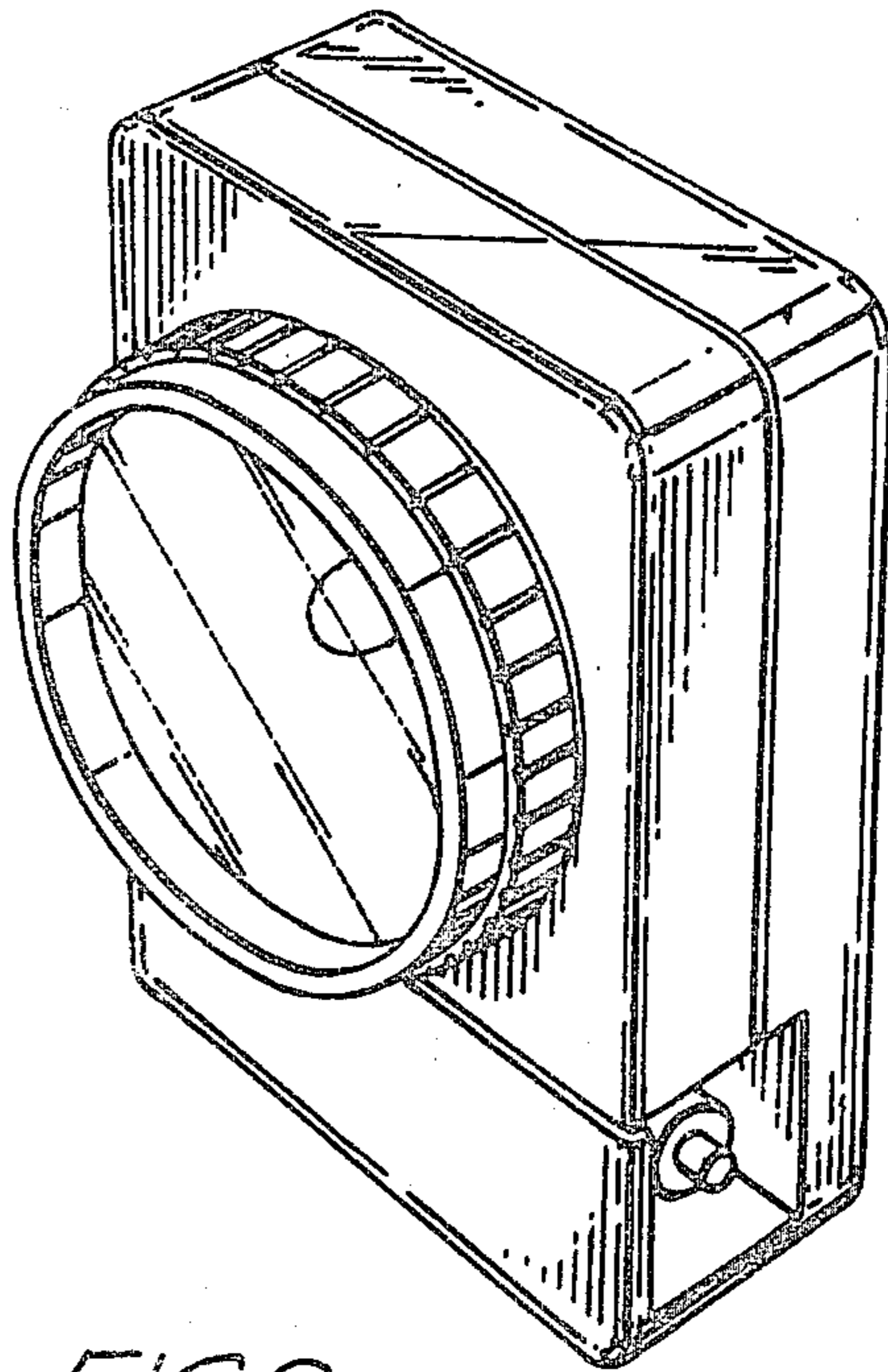


FIG. 2.

FIG. 3.

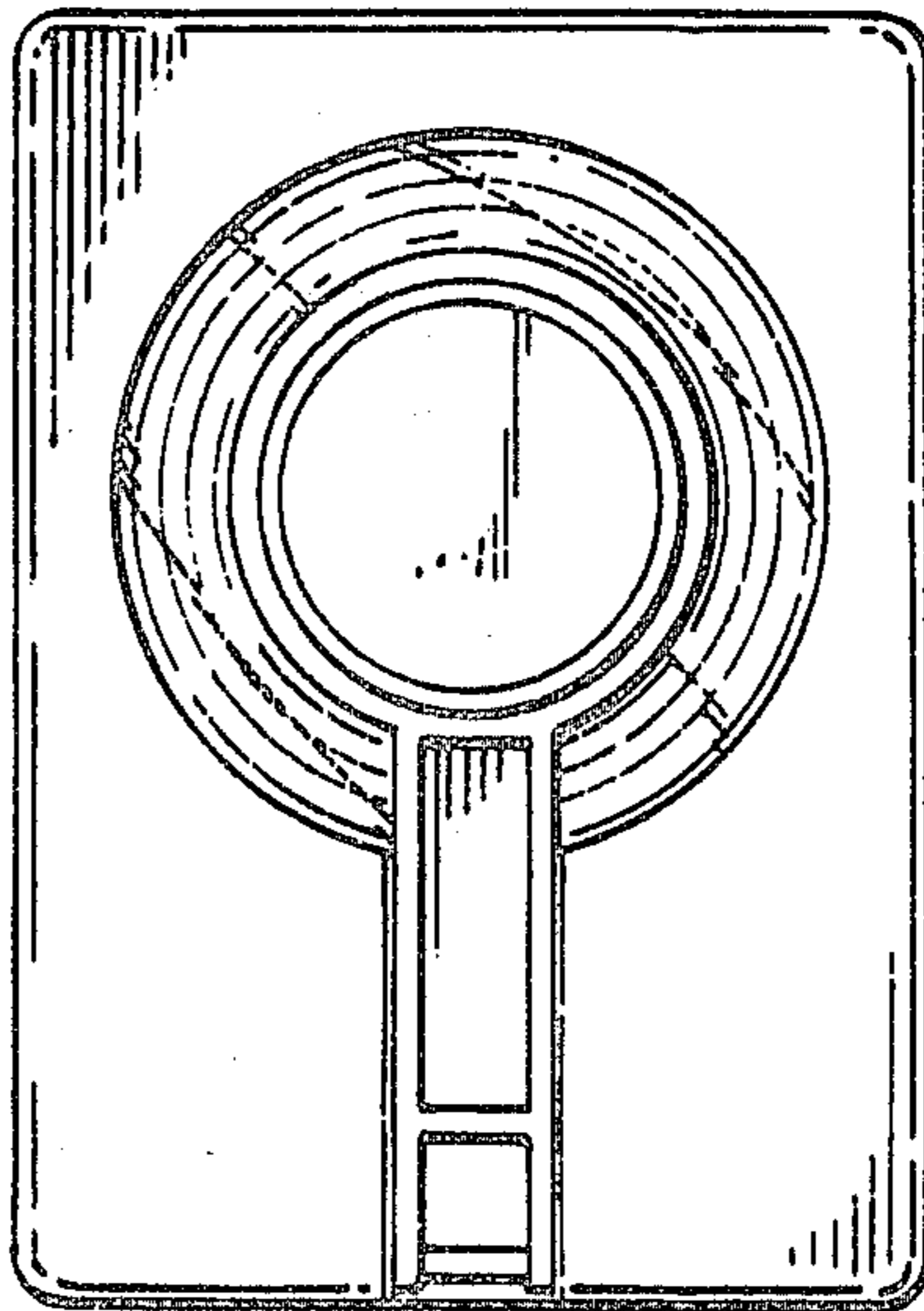


FIG. 4.

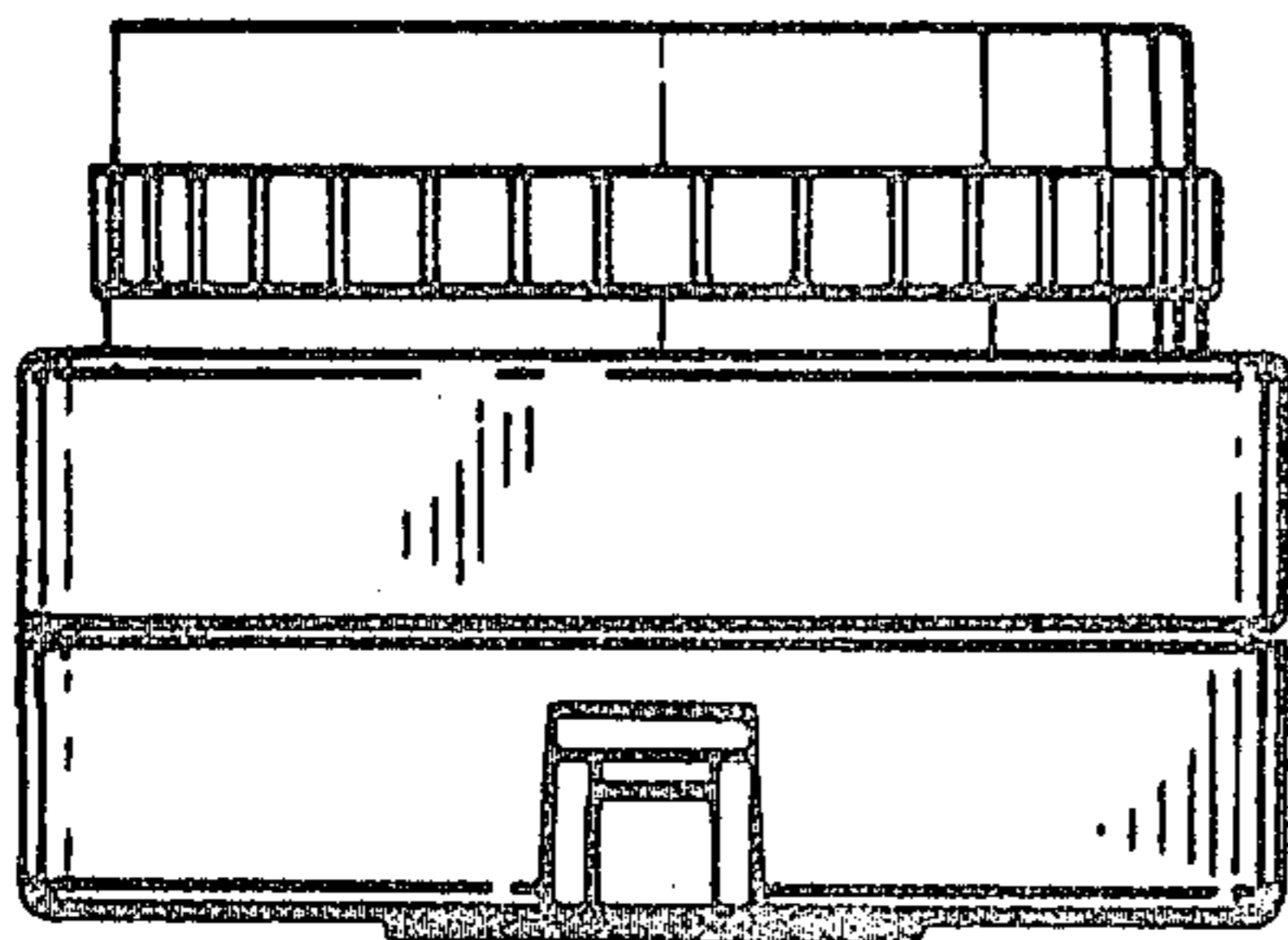


FIG. 5.

