

[54] **ROTARY STAMP**

[75] **Inventor:** Tatsuro Funahashi, Komaki, Japan

[73] **Assignee:** Shachihata Industrial Co., Ltd., Japan

[\*\*] **Term:** 14 Years

[21] **Appl. No.:** 322,227

[22] **Filed:** Nov. 17, 1981

[30] **Foreign Application Priority Data**

May 19, 1981 [JP] Japan ..... 56-21446

[52] **U.S. Cl.** ..... D18/15

[58] **Field of Search** ..... D18/13-15,  
D18/18, 19, 22, 99; 101/111, 327, 371-373, 405,  
406

[56] **References Cited**

**U.S. PATENT DOCUMENTS**

D. 185,518 6/1959 Szydek ..... D18/15

D. 232,485 8/1974 Funahashi ..... D18/15  
D. 240,966 8/1976 Funahashi ..... D18/15  
3,241,482 3/1966 Keck ..... D18/15 X

**FOREIGN PATENT DOCUMENTS**

53-475583 5/1978 Japan .

*Primary Examiner*—Louis S. Zarfes  
*Attorney, Agent, or Firm*—Brumbaugh, Graves,  
Donohue & Raymond

[57] **CLAIM**

The ornamental design for a rotary stamp, as shown.

**DESCRIPTION**

FIG. 1 is a top perspective view of a rotary stamp showing my new design;

FIG. 2 is a bottom perspective view thereof;

FIG. 3 is a front elevational view thereof;

FIG. 4 is a rear elevational view thereof;

FIG. 5 is a left side elevational view thereof; and

FIG. 6 is a bottom plan view thereof.

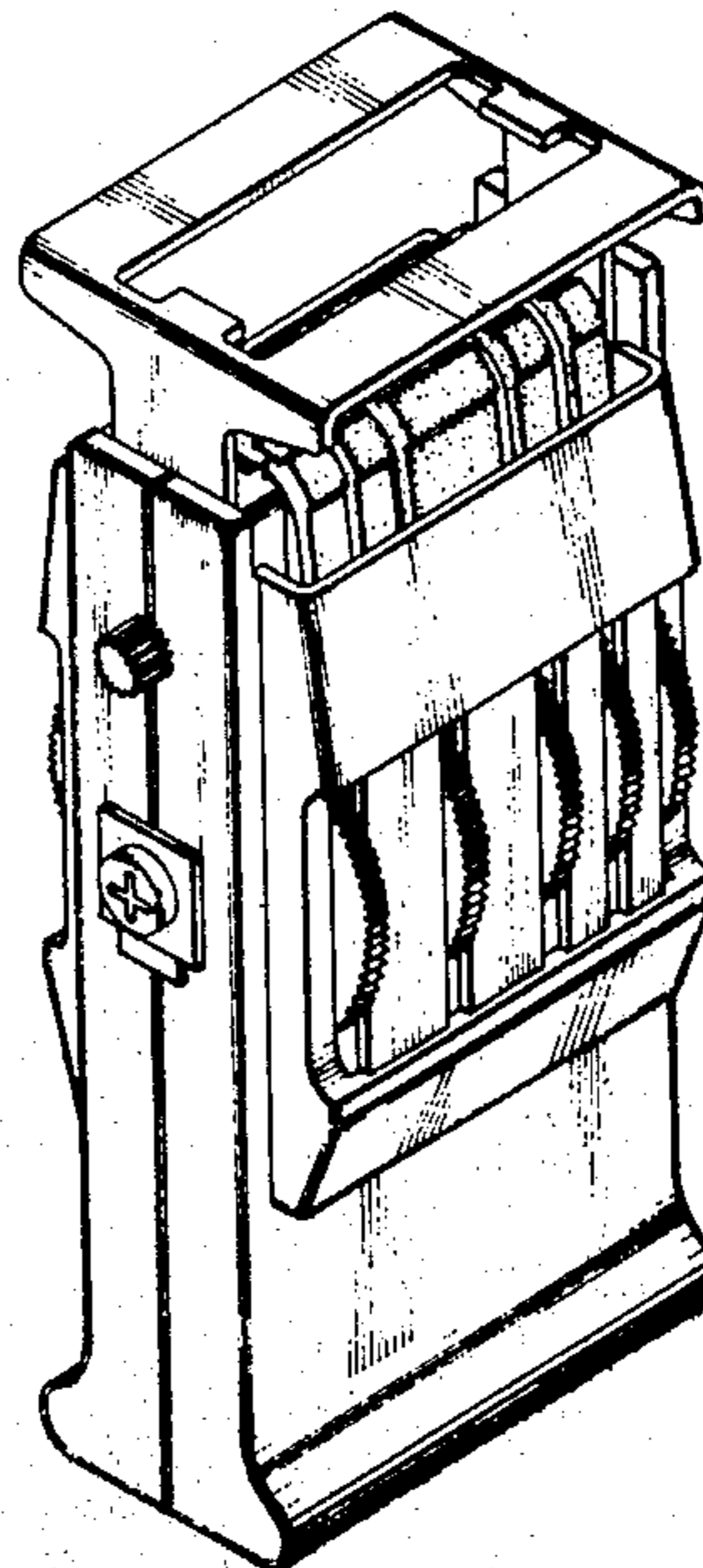
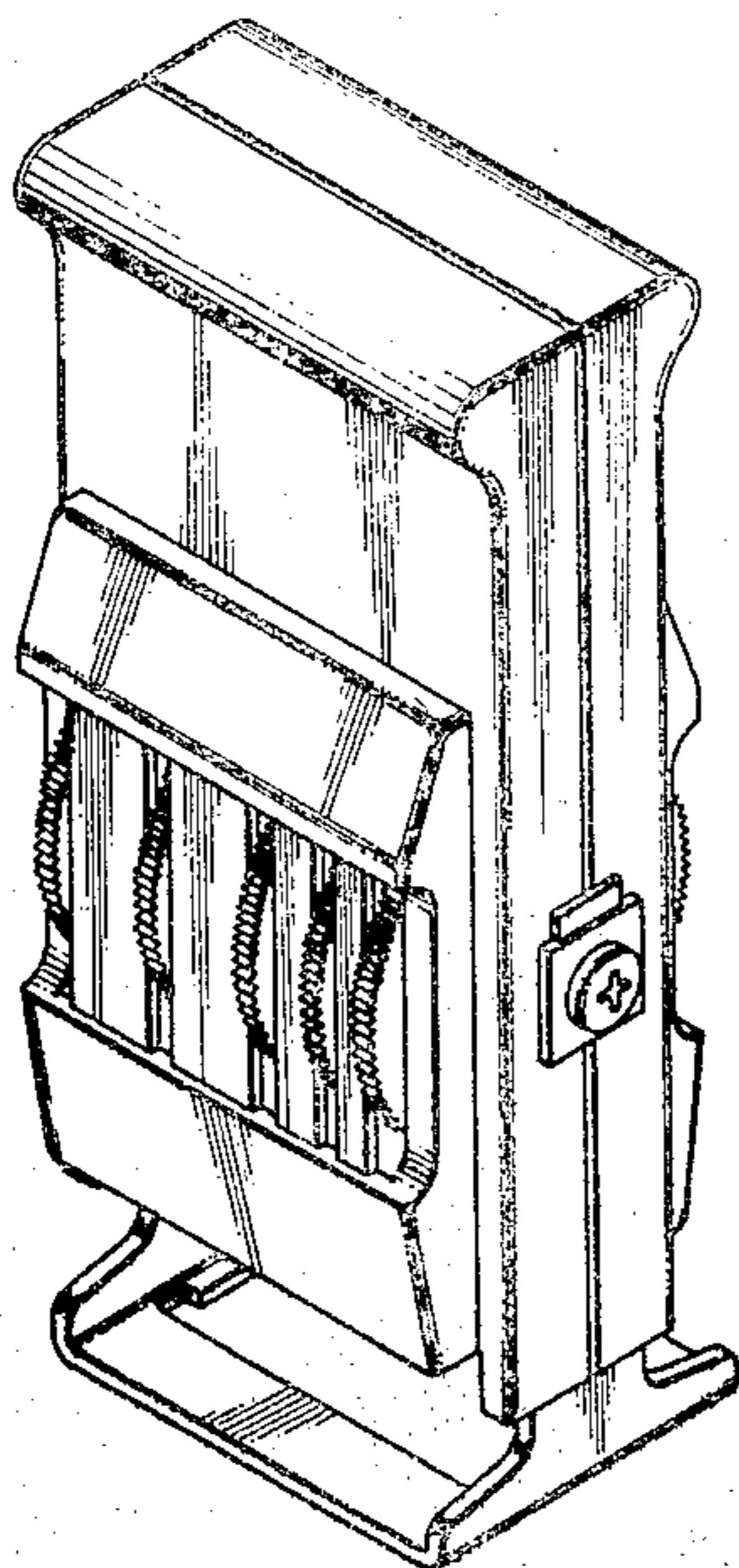


FIG. 1

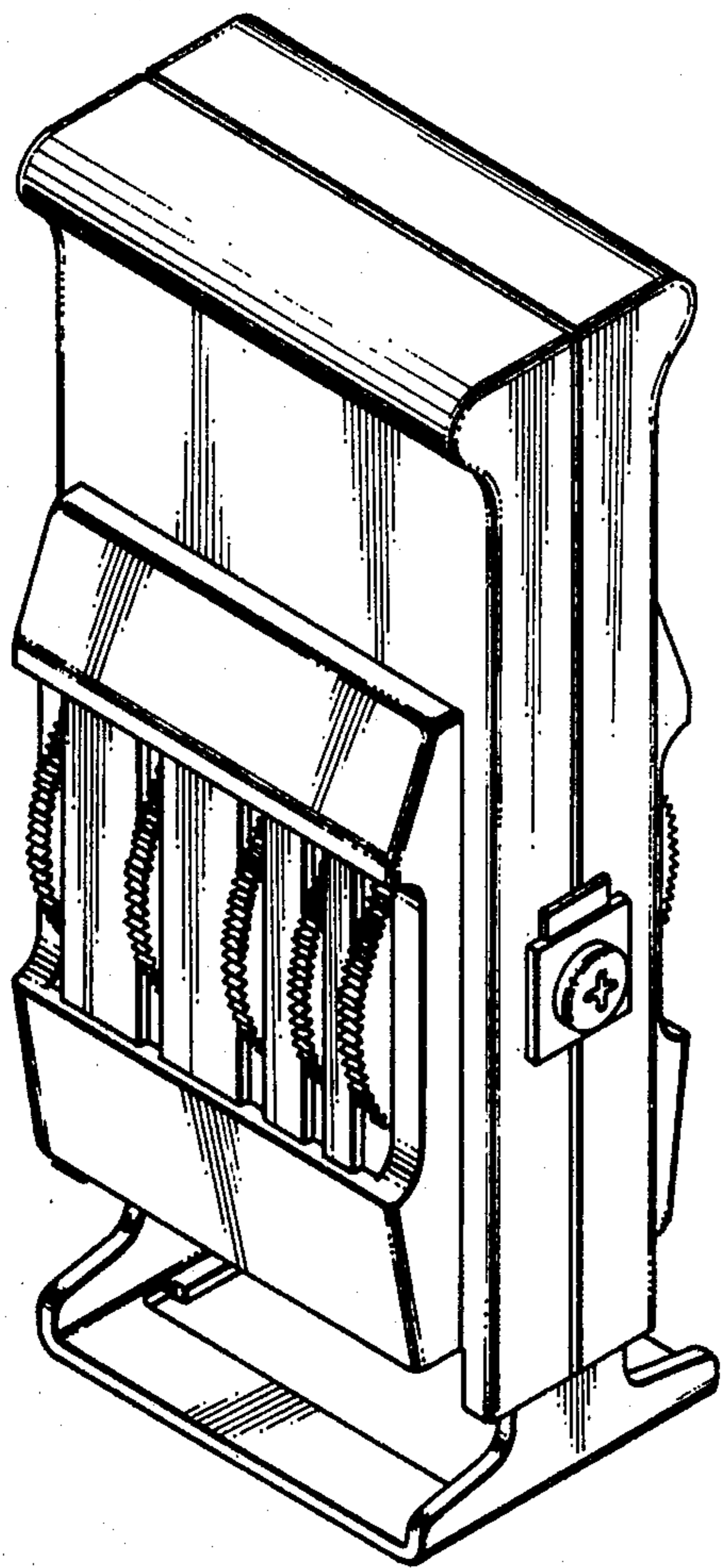


FIG. 3

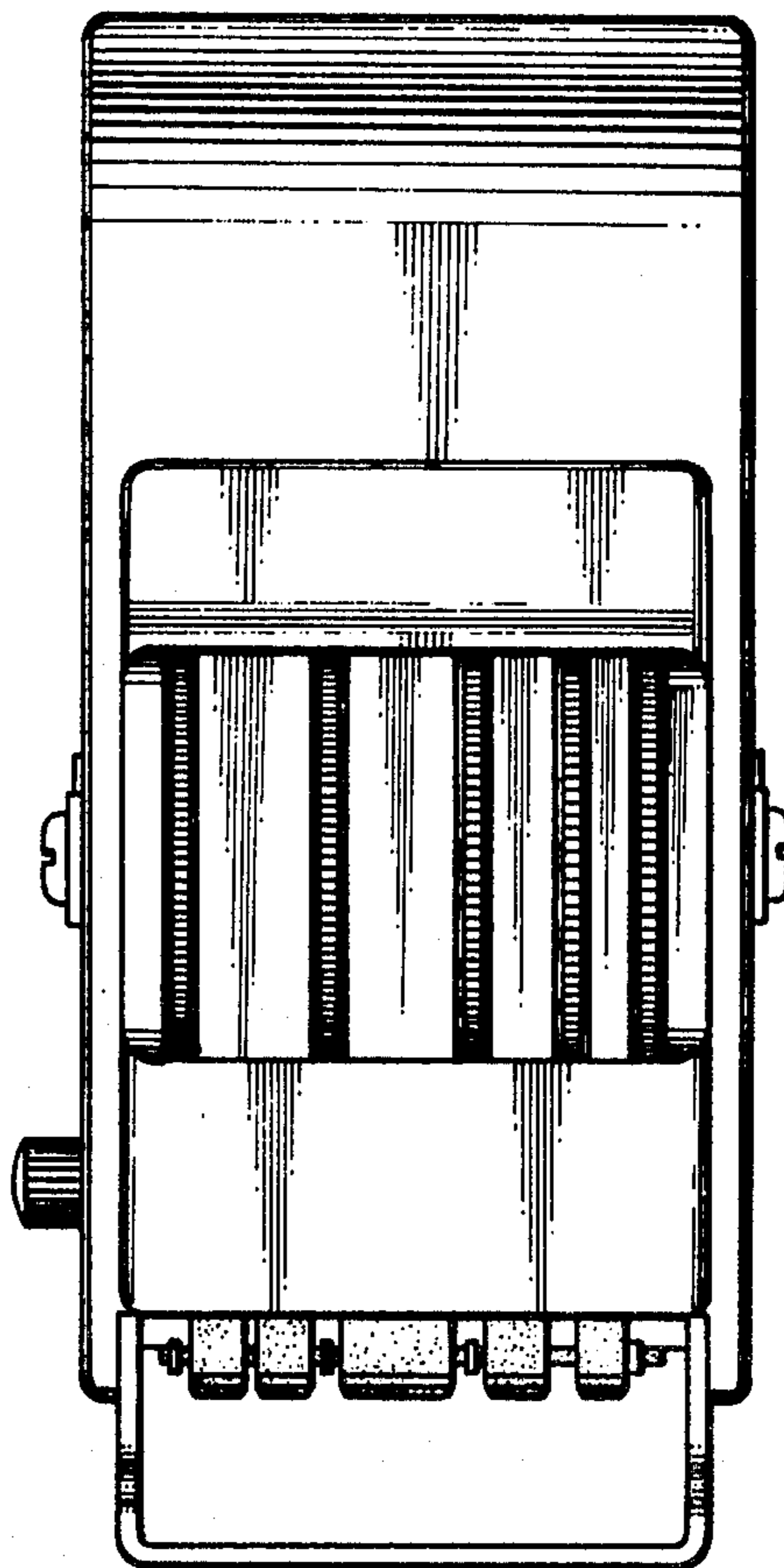


FIG. 5

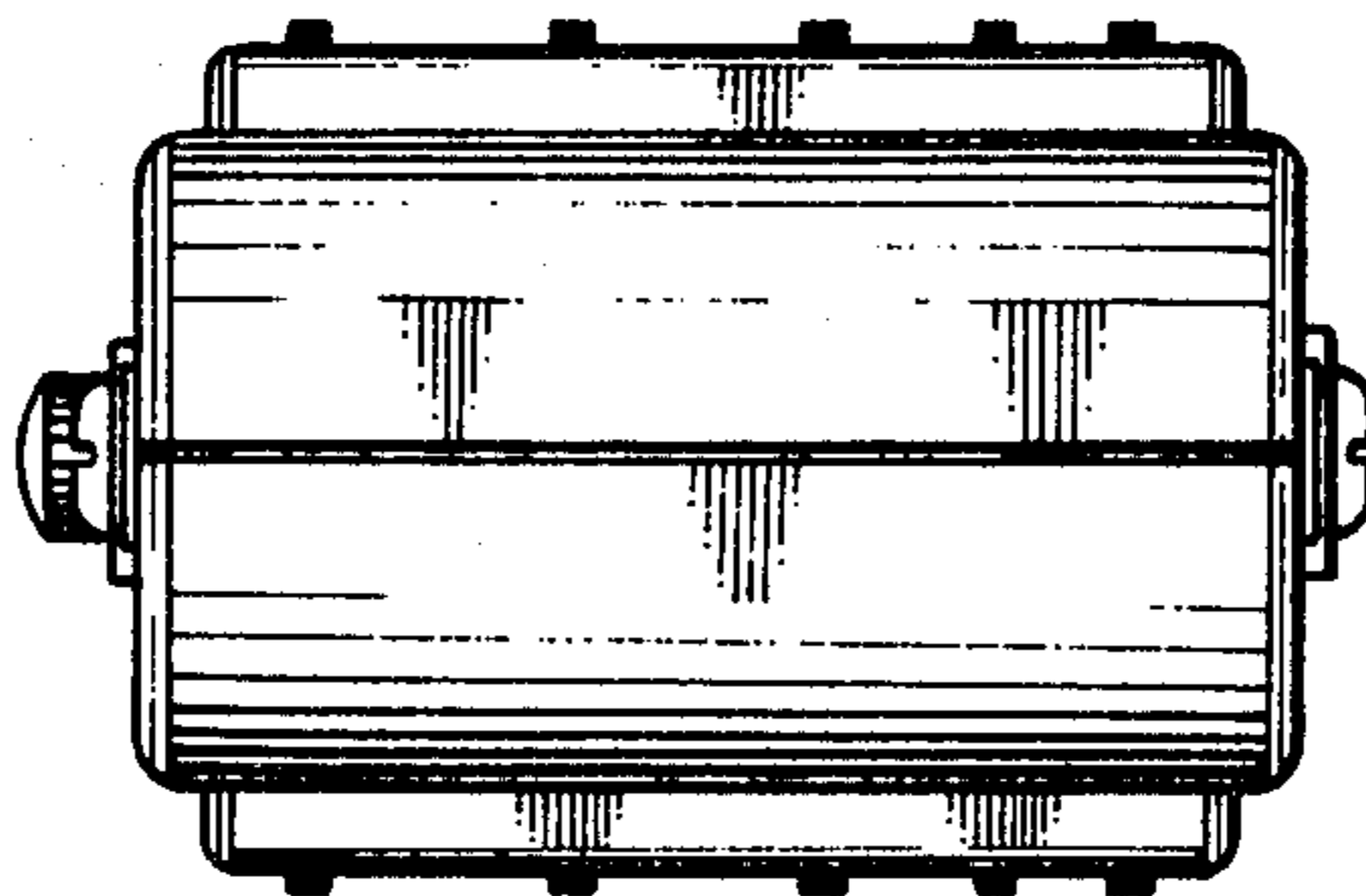


FIG. 2

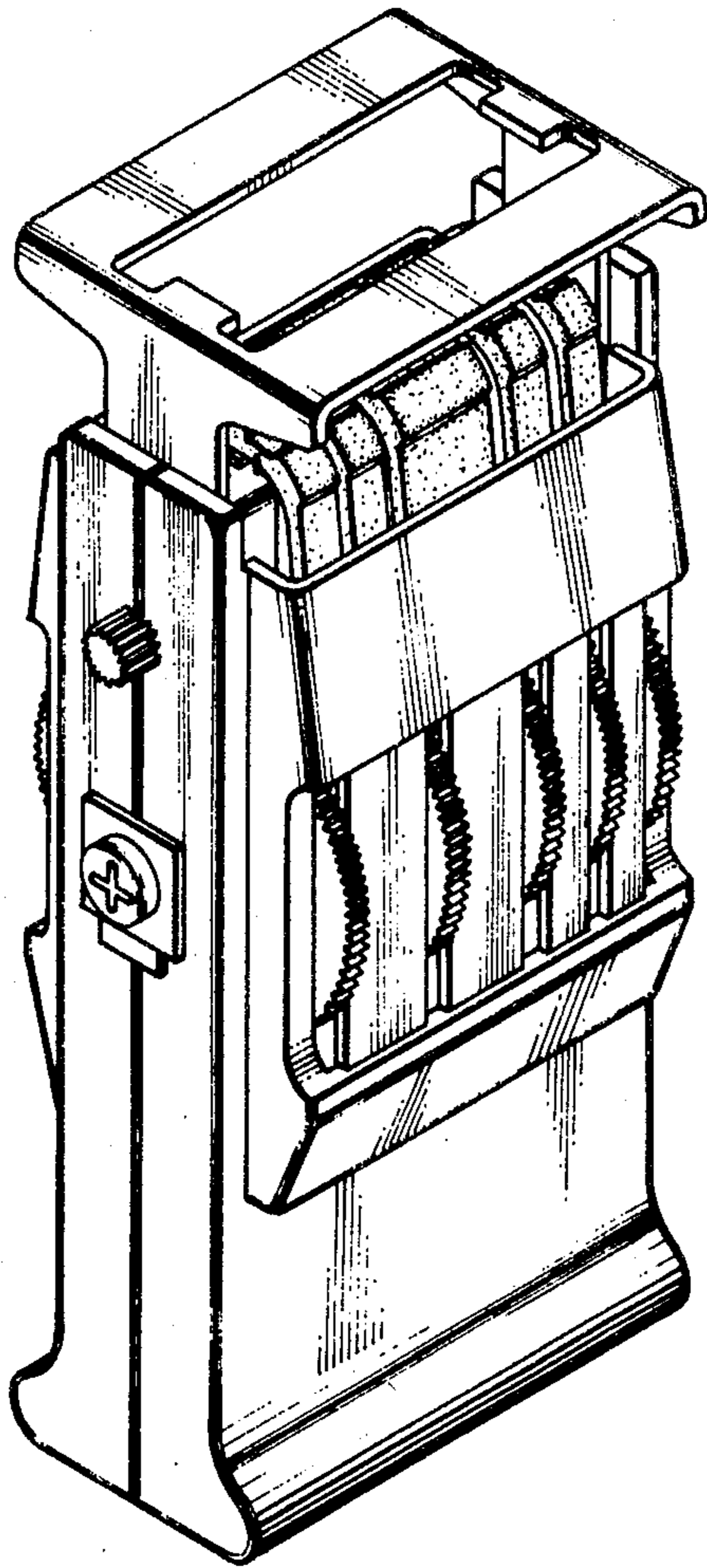


FIG. 4

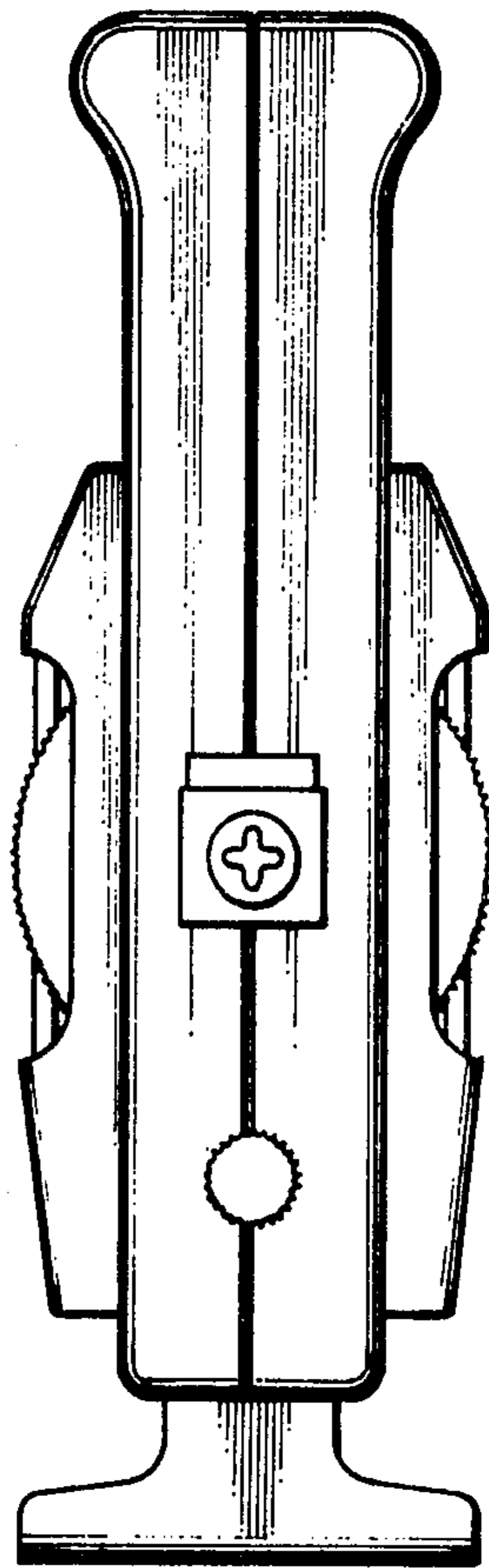


FIG. 6

