

[54] PROJECTOR LIGHT SOURCE OR SIMILAR ARTICLE

[75] Inventors: Timothy J. Donnelly, Pittsford; Bernard F. Seltzer, Rochester, both of N.Y.

[73] Assignee: Eastman Kodak Company, Rochester, N.Y.

[\*\*] Term: 14 Years

[21] Appl. No.: 347,743

[22] Filed: Feb. 10, 1982

[52] U.S. Cl. .... D16/26

[58] Field of Search ..... D26/37, 24, 46; D16/11, D16/14, 15, 26; 353/29, 52, 73, 82, 119, 43; 352/198, 203; 40/362

[56] References Cited

U.S. PATENT DOCUMENTS

2,553,100	5/1951	Lynch	362/277	X
2,616,332	11/1952	Sorkin	353/43	
2,862,319	12/1958	Lipfert	40/362	
3,176,581	4/1965	Golden	353/119	X

FOREIGN PATENT DOCUMENTS

1258305	3/1961	France	353/43
1267124	6/1961	France	353/119

Primary Examiner—Susan J. Lucas  
Attorney, Agent, or Firm—Dennis R. Arndt

[57] CLAIM

The ornamental design for a projector light source or similar article, substantially as shown and described.

DESCRIPTION

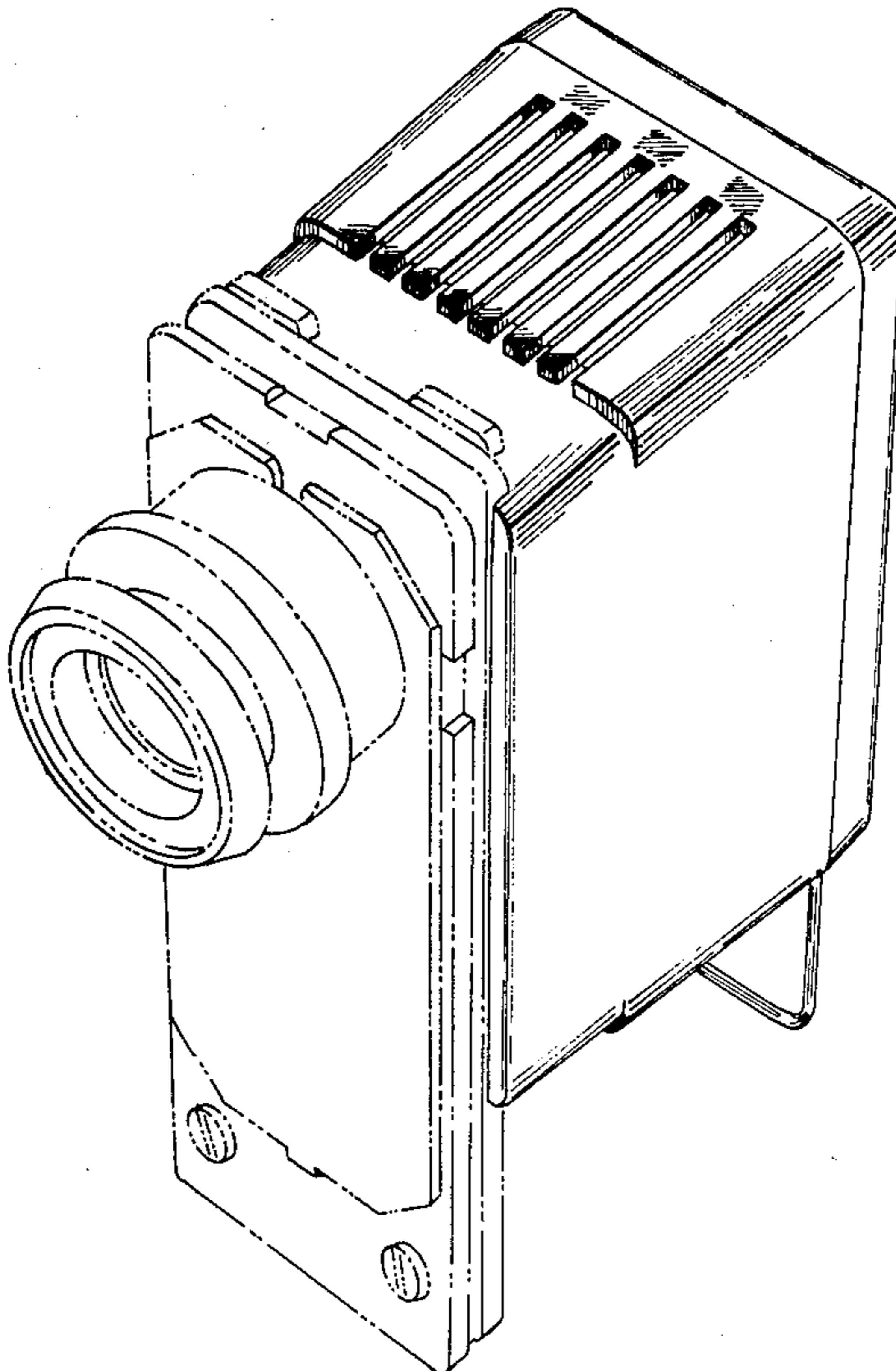
FIG. 1 is a perspective view from the front, upper right corner of the projector light source, with its rear support member in its extended position, showing our new design;

FIG. 2 is a perspective view from the rear, lower left corner thereof with its rear support member in its extended position and showing the other sides thereof;

FIG. 3 is a perspective view from the front, upper left corner thereof with the support member in its retracted position; and

FIG. 4 is a perspective view from the rear, lower left corner thereof with the support member in its retracted position.

The broken line in FIGS. 1 and 2 shows a hand-held viewer, with which the new design may be associated and which does not constitute part of our new design.



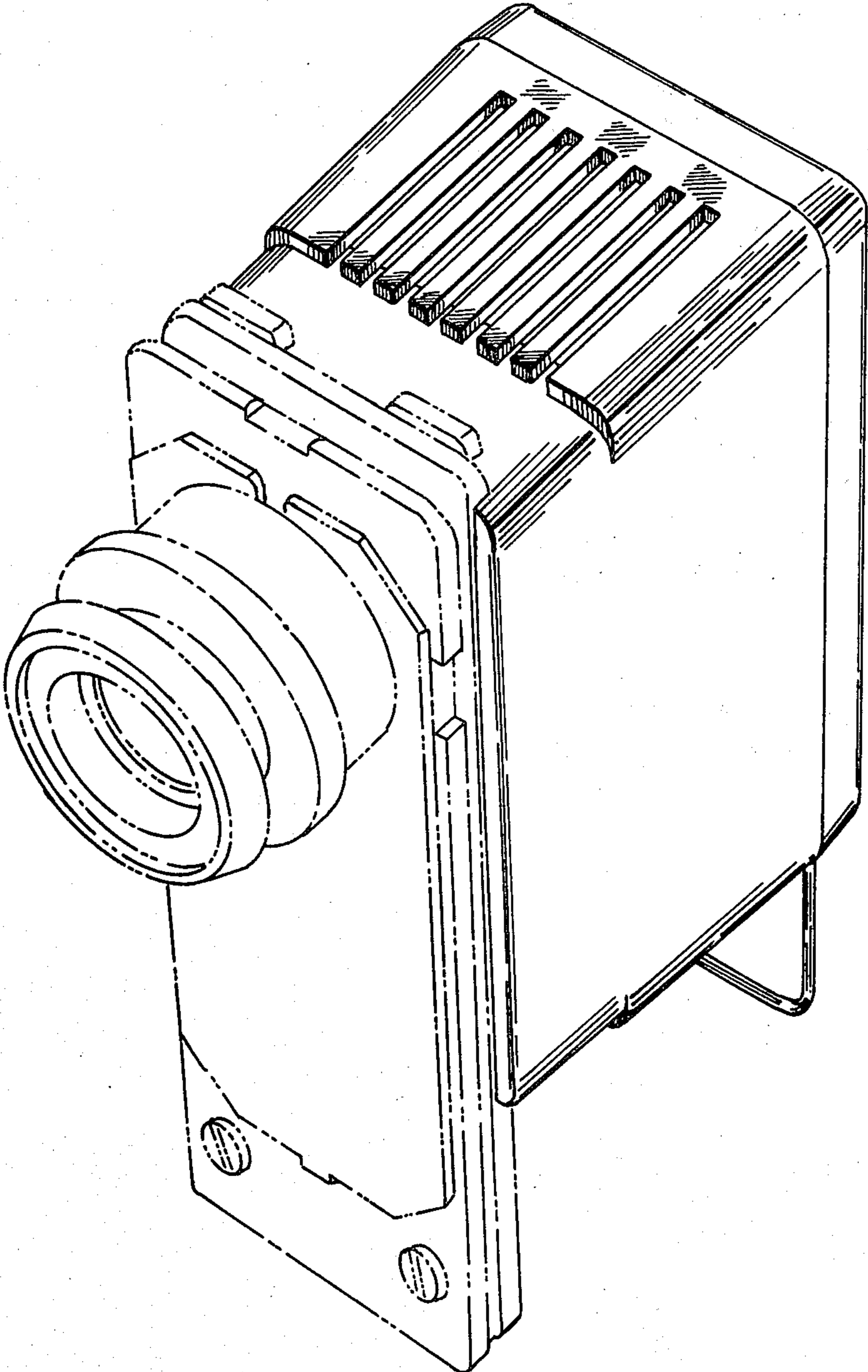


FIG. 1

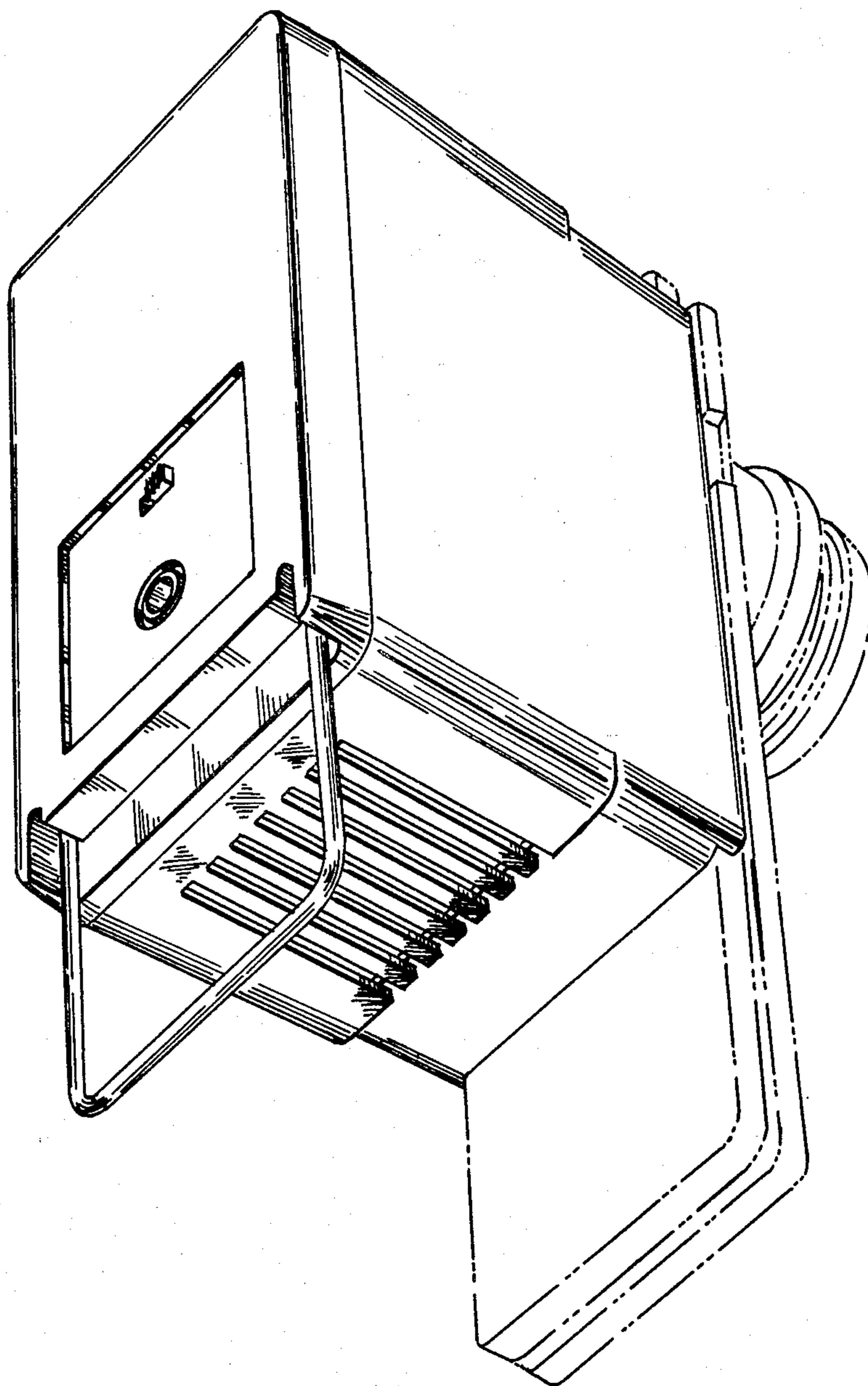


FIG. 2

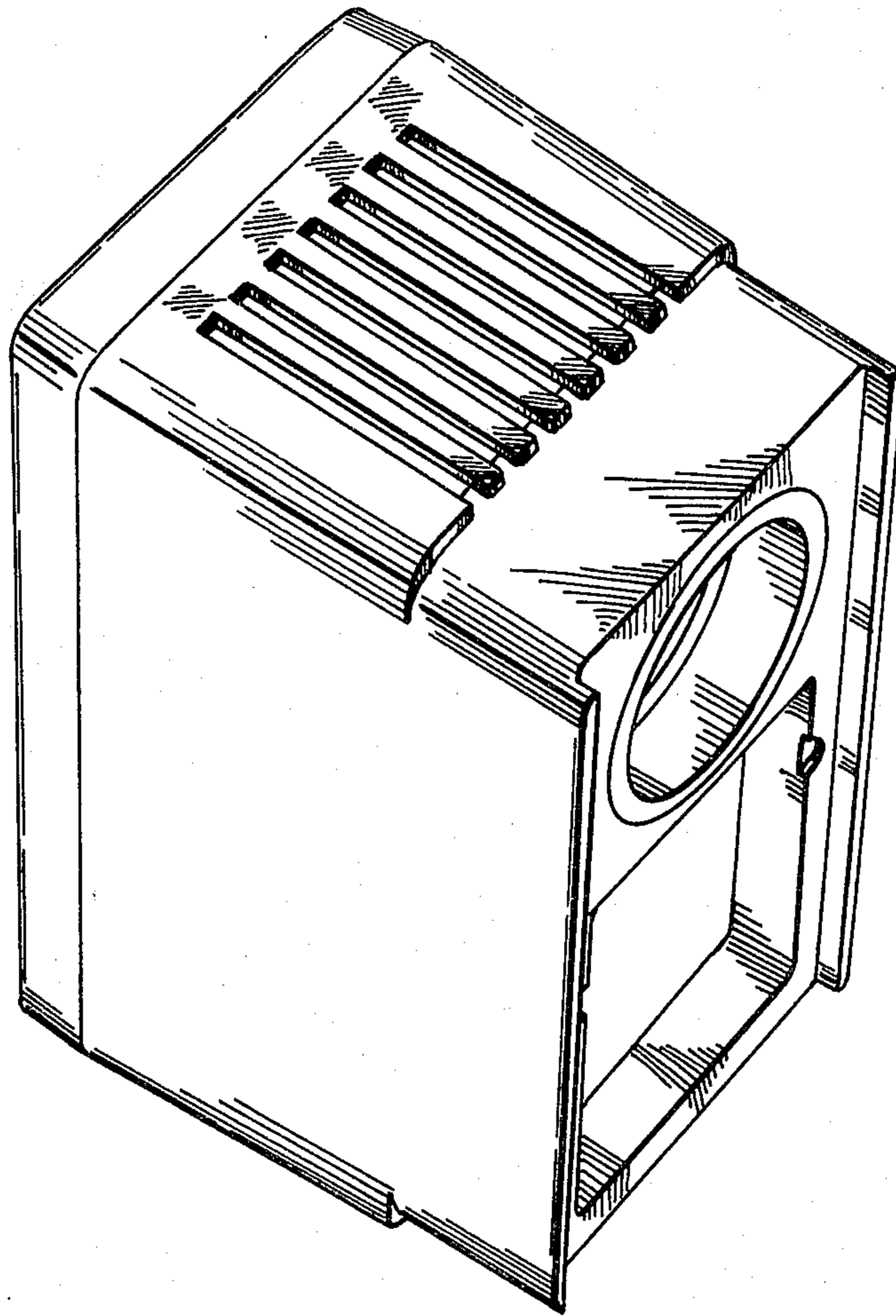


FIG. 3

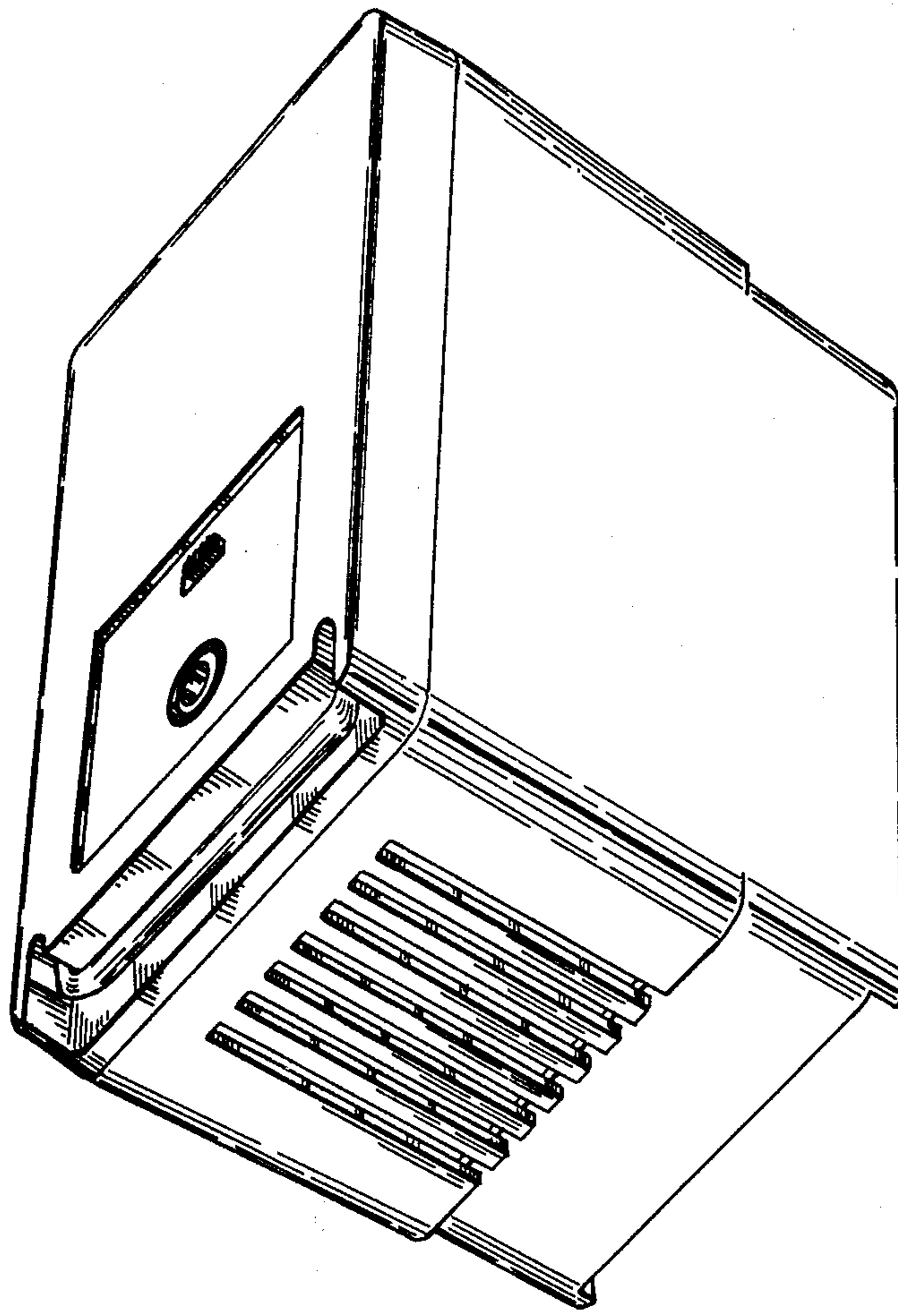


FIG.4