

[54] STILL CAMERA

[75] Inventor: Toshiyuki Matsuo, Kawasaki, Japan

[73] Assignee: Sony Corporation, Tokyo, Japan

[\*\*] Term: 14 Years

[21] Appl. No.: 351,230

[22] Filed: Feb. 22, 1982

[30] Foreign Application Priority Data

Aug. 21, 1981 [JP] Japan ..... 56-36938

[52] U.S. Cl. .... D16/1

[58] Field of Search ..... D16/1, 2, 6, 8, 9, 10;  
354/288, 152, 162-169

[56] References Cited

U.S. PATENT DOCUMENTS

- D. 249,949 10/1978 Mielke ..... D16/1
- D. 263,961 4/1982 Lange ..... D16/6

- 3,057,278 10/1962 Zill ..... 354/167
- 3,418,909 12/1968 Rabinow ..... D16/1 X
- 3,768,387 10/1973 Hasegawa ..... D16/8 X
- 4,420,240 12/1983 Katsuma ..... 354/288

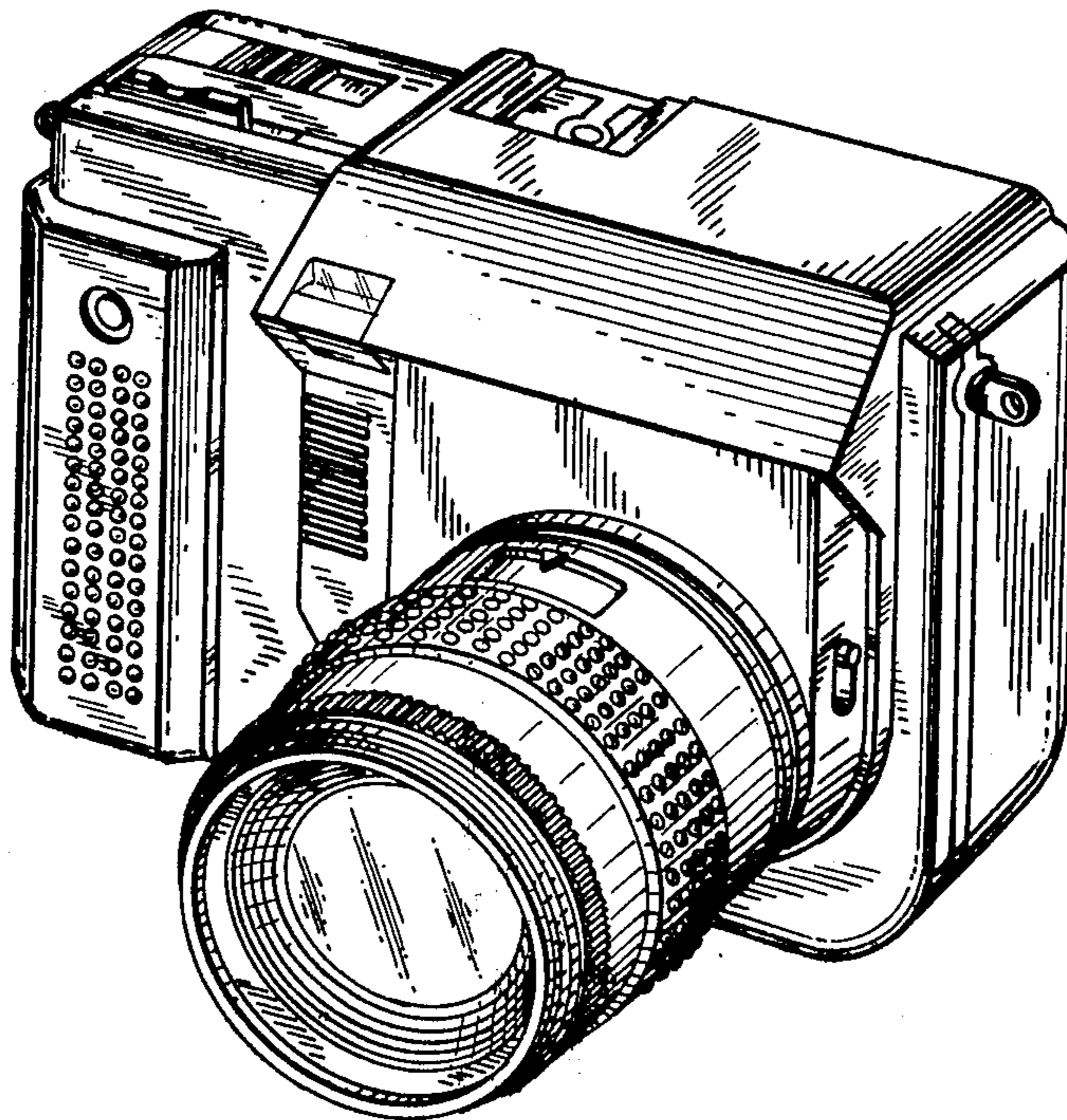
Primary Examiner—Nelson C. Holtje  
Attorney, Agent, or Firm—Lewis H. Eslinger; Alvin Sinderbrand

[57] CLAIM

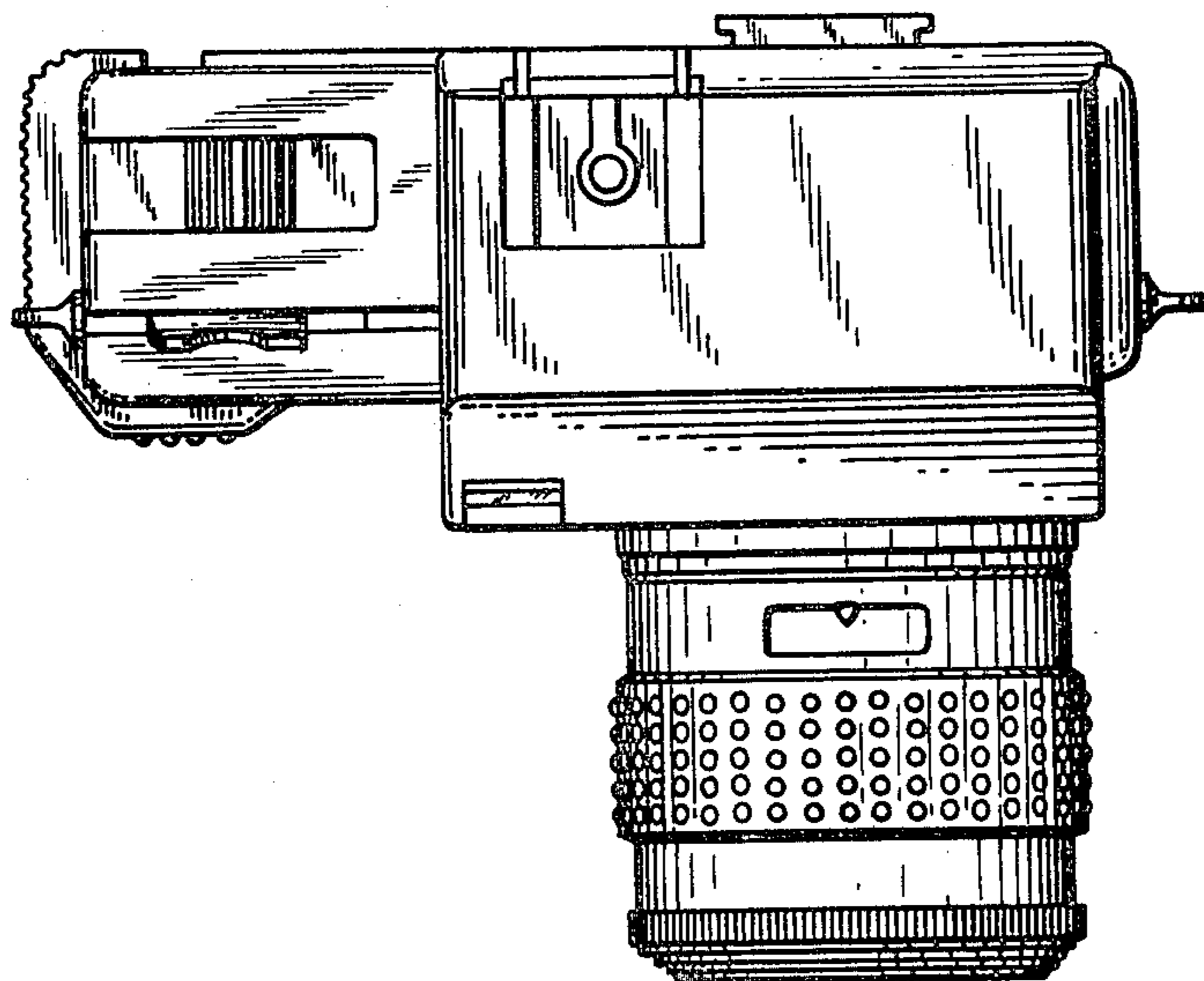
The ornamental design for a still camera, as shown.

DESCRIPTION

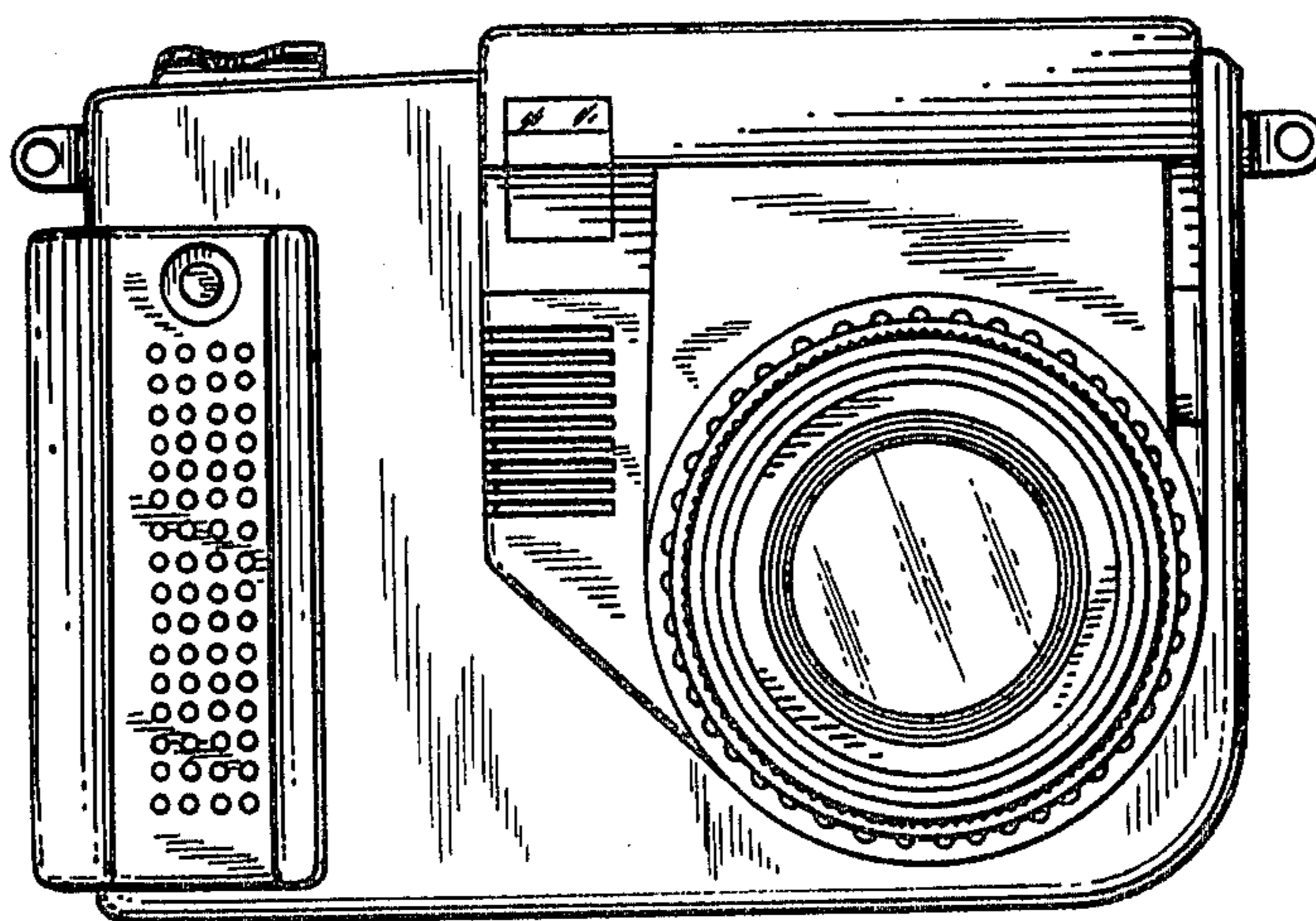
FIG. 1 is a top plan view of a still camera showing my new design;  
FIG. 2 is a front elevational view thereof;  
FIG. 3 is a left side elevational view thereof;  
FIG. 4 is a rear elevational view thereof;  
FIG. 5 is a right side elevational view thereof;  
FIG. 6 is a bottom plan view; and  
FIG. 7 is a front perspective view thereof.



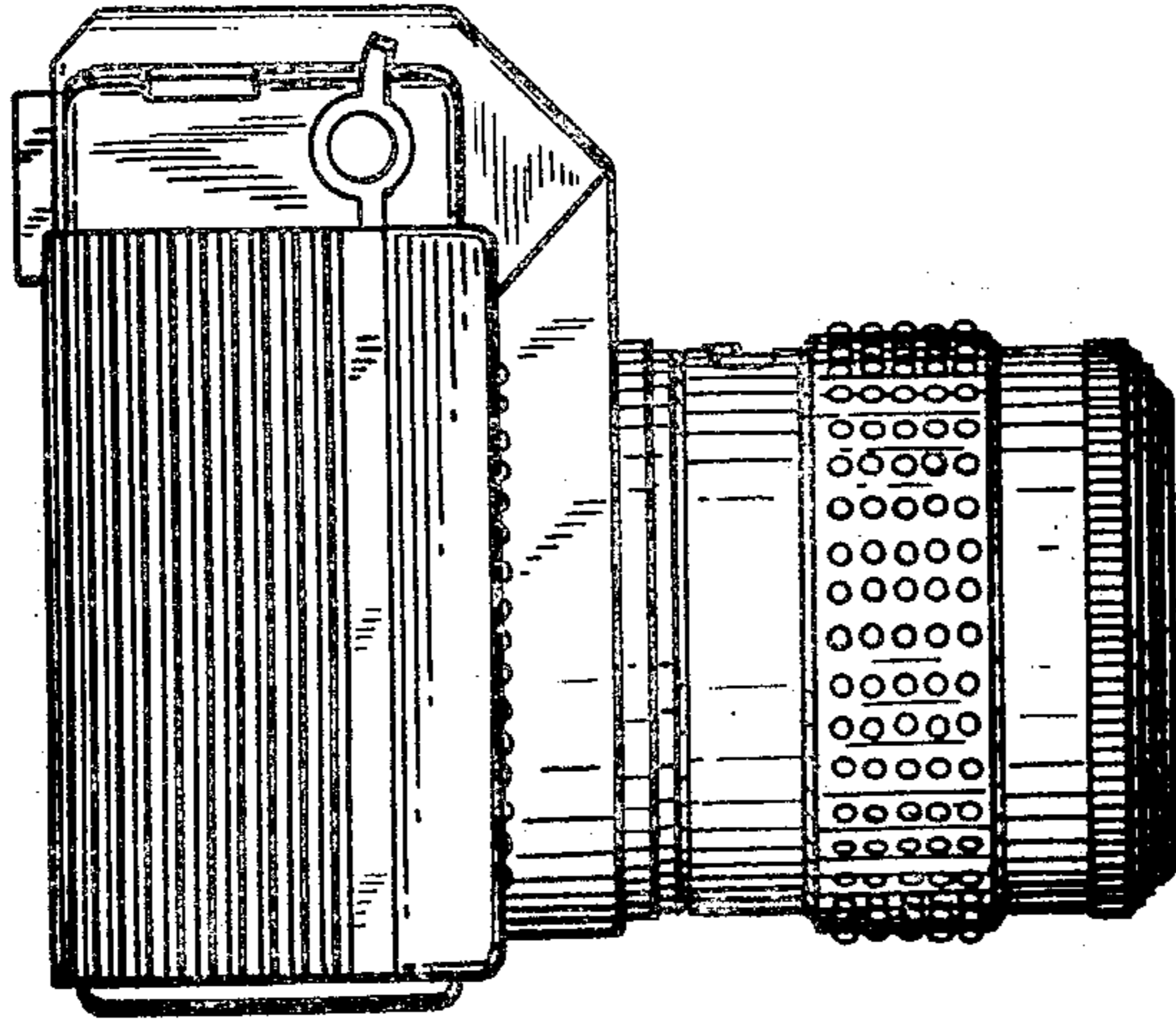
*FIG. 1*



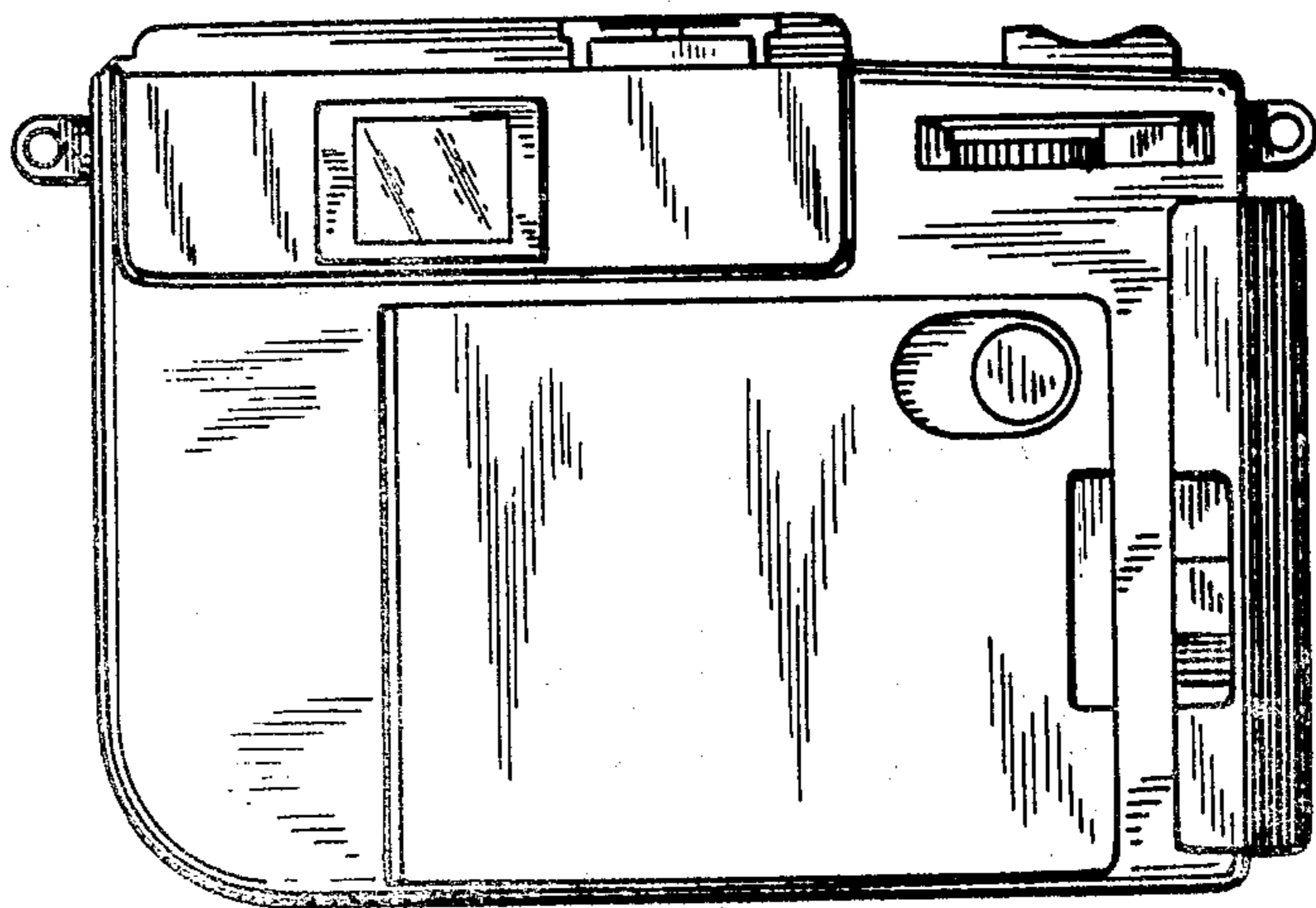
*FIG. 2*



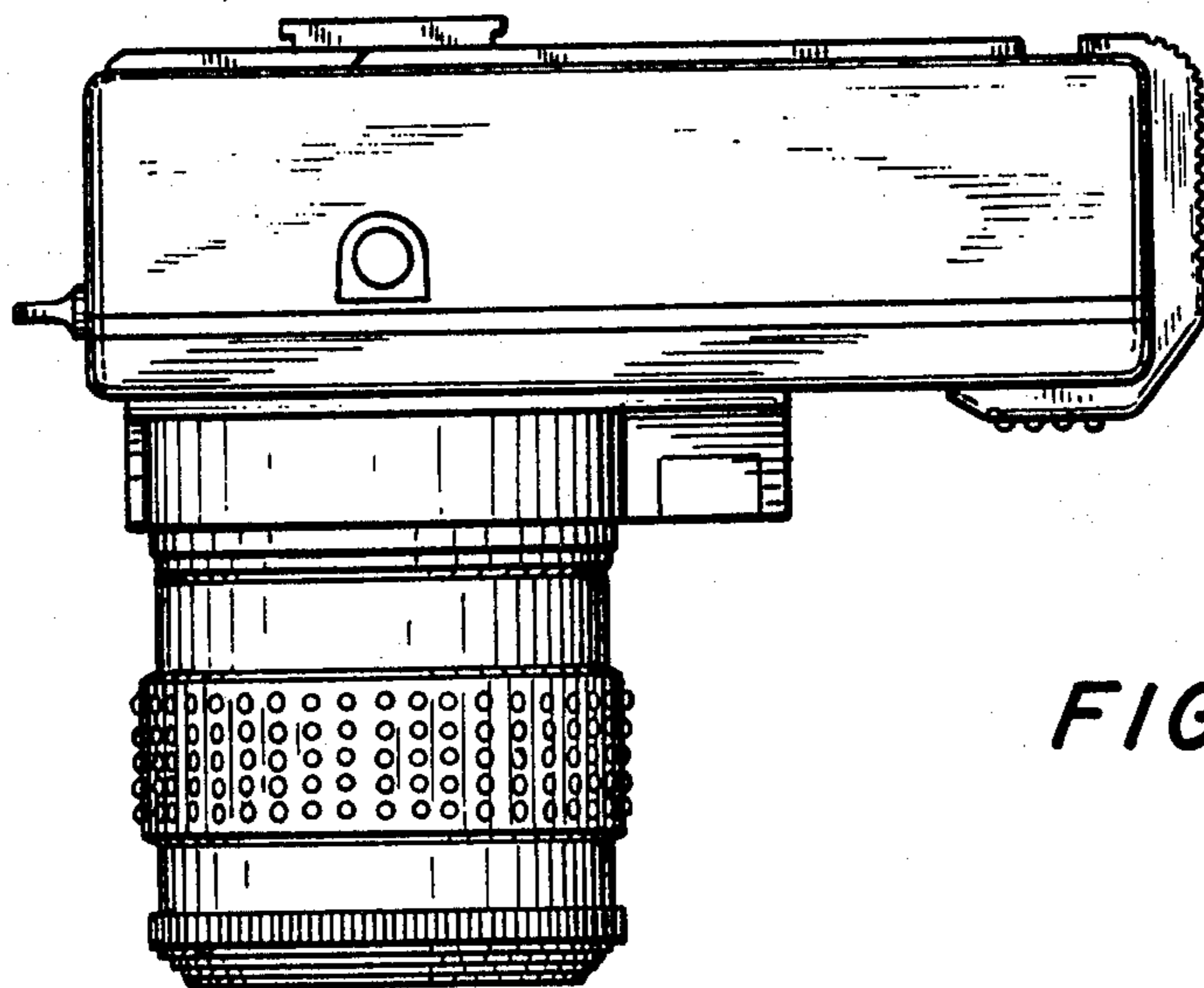
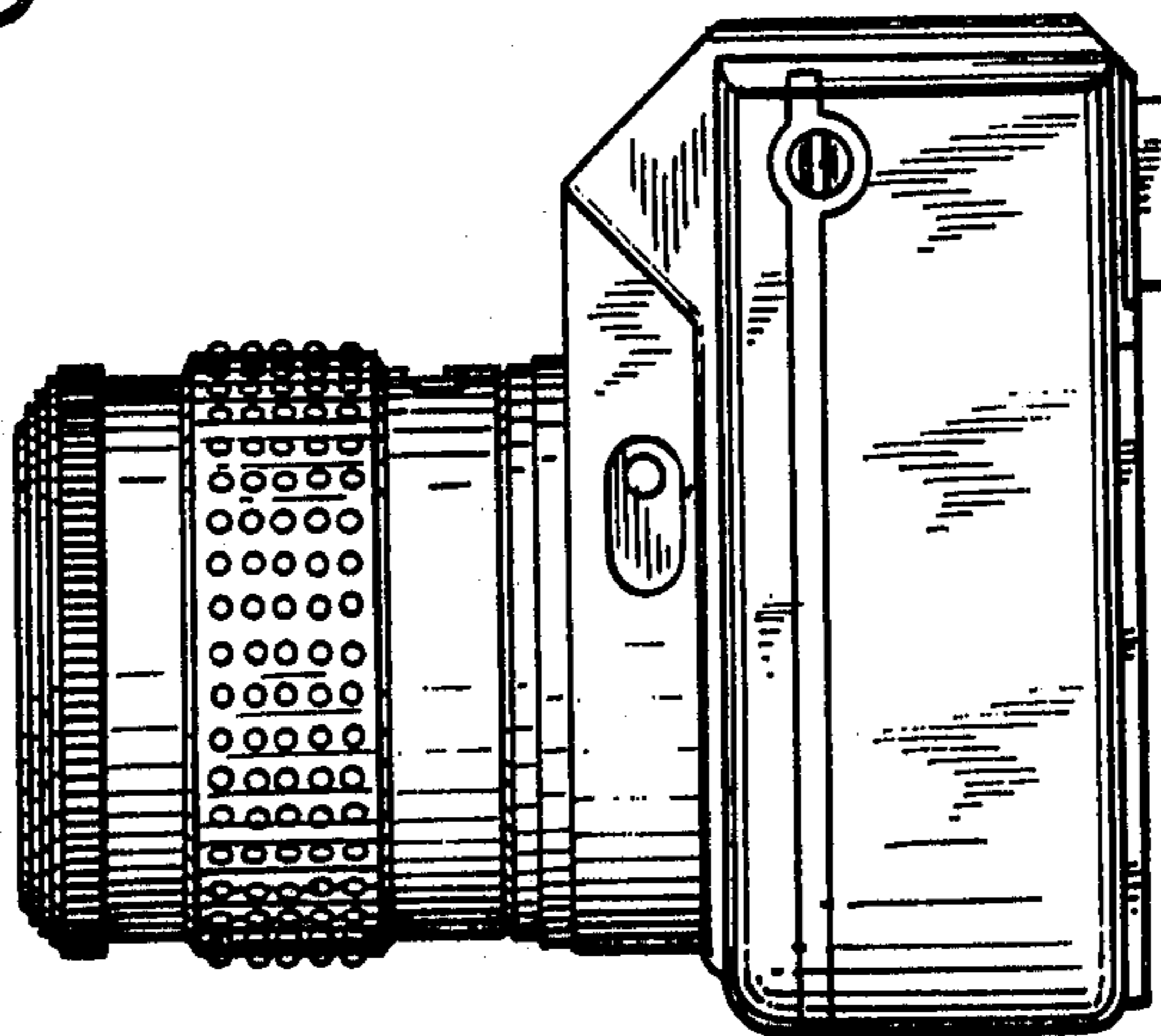
*FIG. 3*



*FIG. 4*



*FIG. 5*



*FIG. 6*

*FIG. 7*

