

[54] REVERSIBLE TOOTH FOR BUCKETS ON DIGGING AND LOADING MACHINES

[75] Inventor: Olav Nja, Kvernaland, Norway

[73] Assignee: Kverneland A/S, Kverneland, Norway

[**] Term: 14 Years

[21] Appl. No.: 425,861

[22] Filed: Sep. 28, 1982

Related U.S. Application Data

[63] Continuation-in-part of Ser. No. 242,324, Mar. 10, 1981.

[30] Foreign Application Priority Data

Mar. 29, 1982 [NO] Norway 62790
[52] U.S. Cl. D15/29
[58] Field of Search 37/141 R, 141 T, 142 R, 37/142 A; D15/10, 23, 25, 28, 29, 32

[56] References Cited

U.S. PATENT DOCUMENTS

D. 213,961 4/1879 Wheatly 37/142 R
3,755,933 9/1973 Lowrey 37/142 R
3,851,413 12/1974 Lukabich 37/141 T

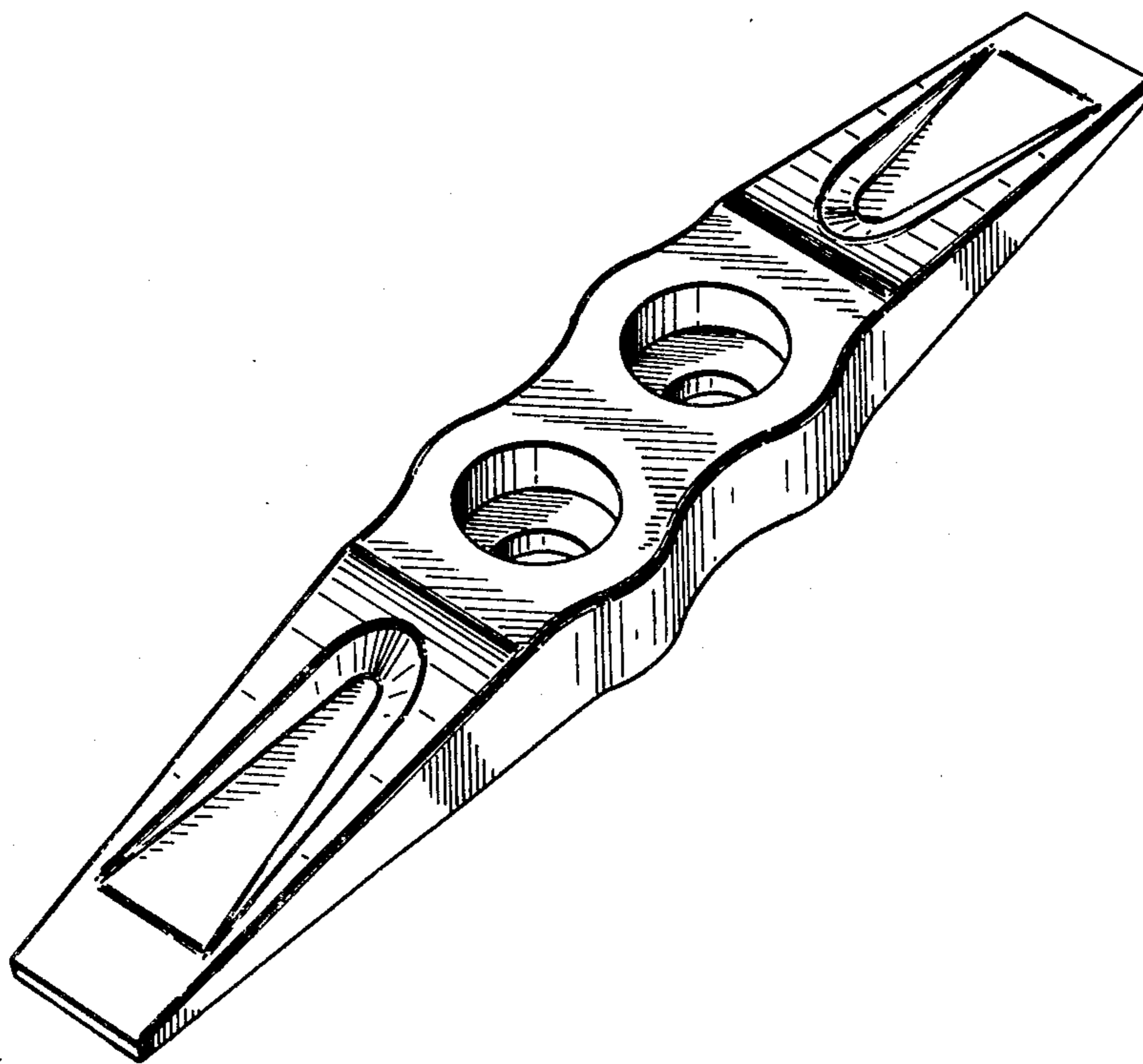
Primary Examiner—Wallace R. Burke
Assistant Examiner—Suzanne N. Gitlin
Attorney, Agent, or Firm—Schwartz, Jeffery, Schwaab, Mack, Blumenthal & Koch

[57] CLAIM

The ornamental design for a reversible tooth for buckets on digging and loading machines, substantially as shown.

DESCRIPTION

FIG. 1 is a perspective view of the reversible tooth for buckets on digging and loading machines showing my new design;
FIG. 2 is a top plan view thereof;
FIG. 3 is a side elevation view thereof;
FIG. 4 is a bottom plan view thereof; and
FIG. 5 is an end view thereof.



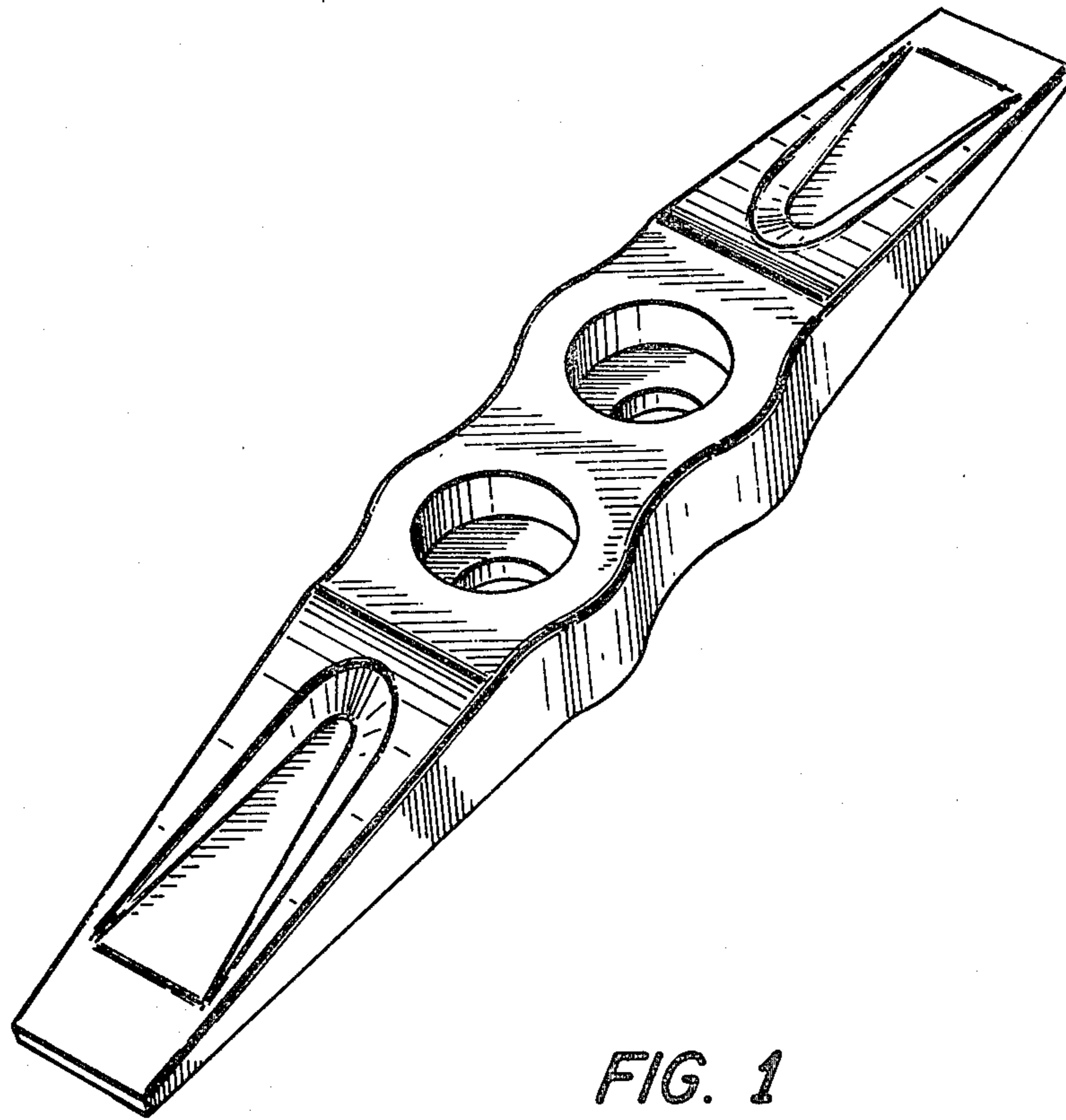


FIG. 1

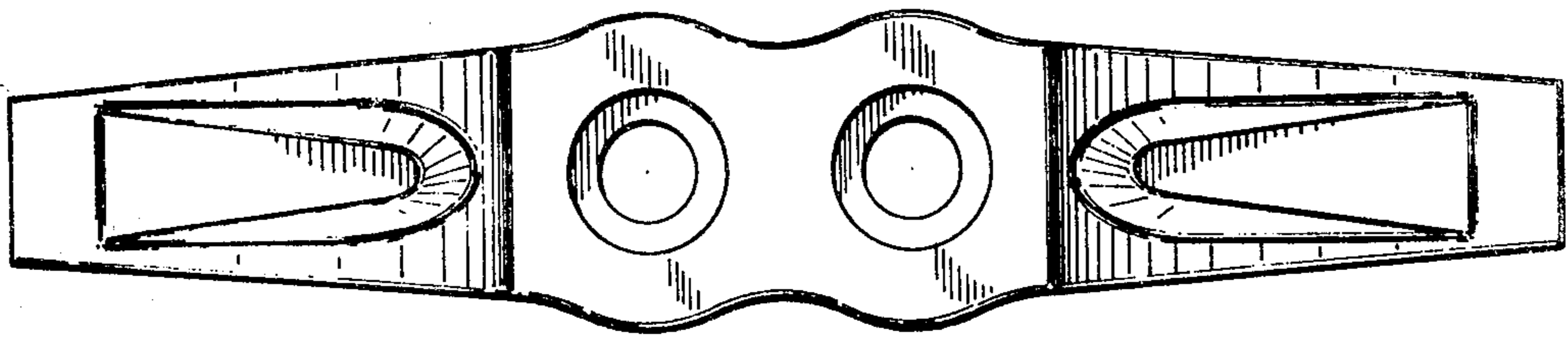


FIG. 2



FIG. 3

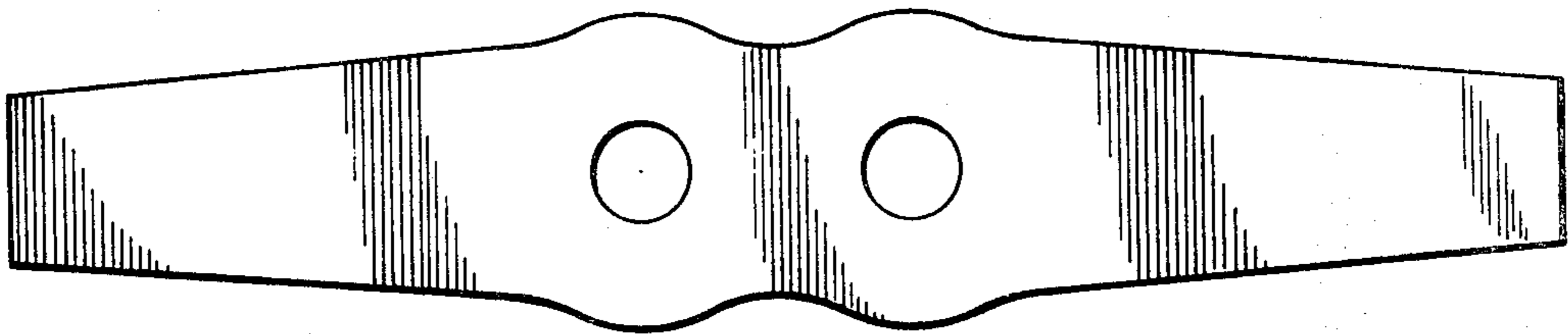


FIG. 4



FIG. 5