

[54] **DELIMBING APPARATUS**

Assistant Examiner—Suzanne N. Gitlin

[76] **Inventor: Jack E. Bradshaw, Rte. 3, Box 184A, Wallace, N.C. 28466**

[57] **CLAIM**

The ornamental design for a delimiting apparatus, as shown and described.

[**] **Term: 14 Years**

[21] **Appl. No.: 242,620**

DESCRIPTION

[22] **Filed: Mar. 11, 1981**

[52] **U.S. Cl. D15/28**

[58] **Field of Search D15/10; 144/2 Z, 343**

FIG. 1 is a perspective view of a delimiting apparatus showing my new design, the attached vehicle is shown in broken lines for illustrative purposes only; FIG. 2 is a front elevational view thereof; FIG. 3 is a top plan view thereof; FIG. 4 is a bottom plan view thereof; FIG. 5 is a rear elevational view thereof; and, FIG. 6 is a side elevational view thereof, the opposite side being substantially identical. FIGS. 1-5 are broken away to show indeterminate length.

[56] **References Cited**

U.S. PATENT DOCUMENTS

- 4,172,478 10/1979 Dakus 144/2 Z
- 4,172,481 10/1979 Brisson 144/2 Z
- 4,371,016 2/1983 Bradshaw 144/2 Z

Primary Examiner—Wallace R. Burke

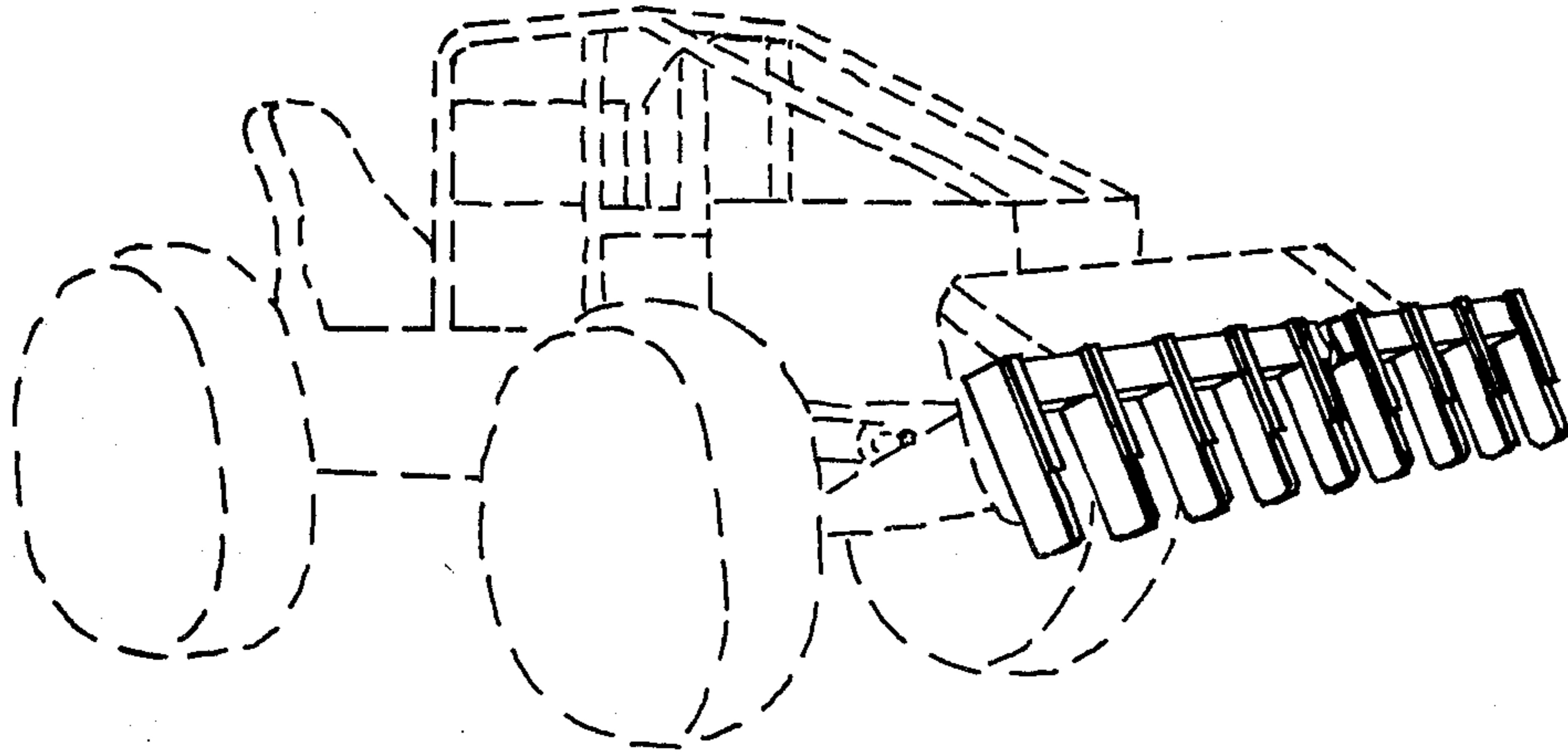


FIGURE 1

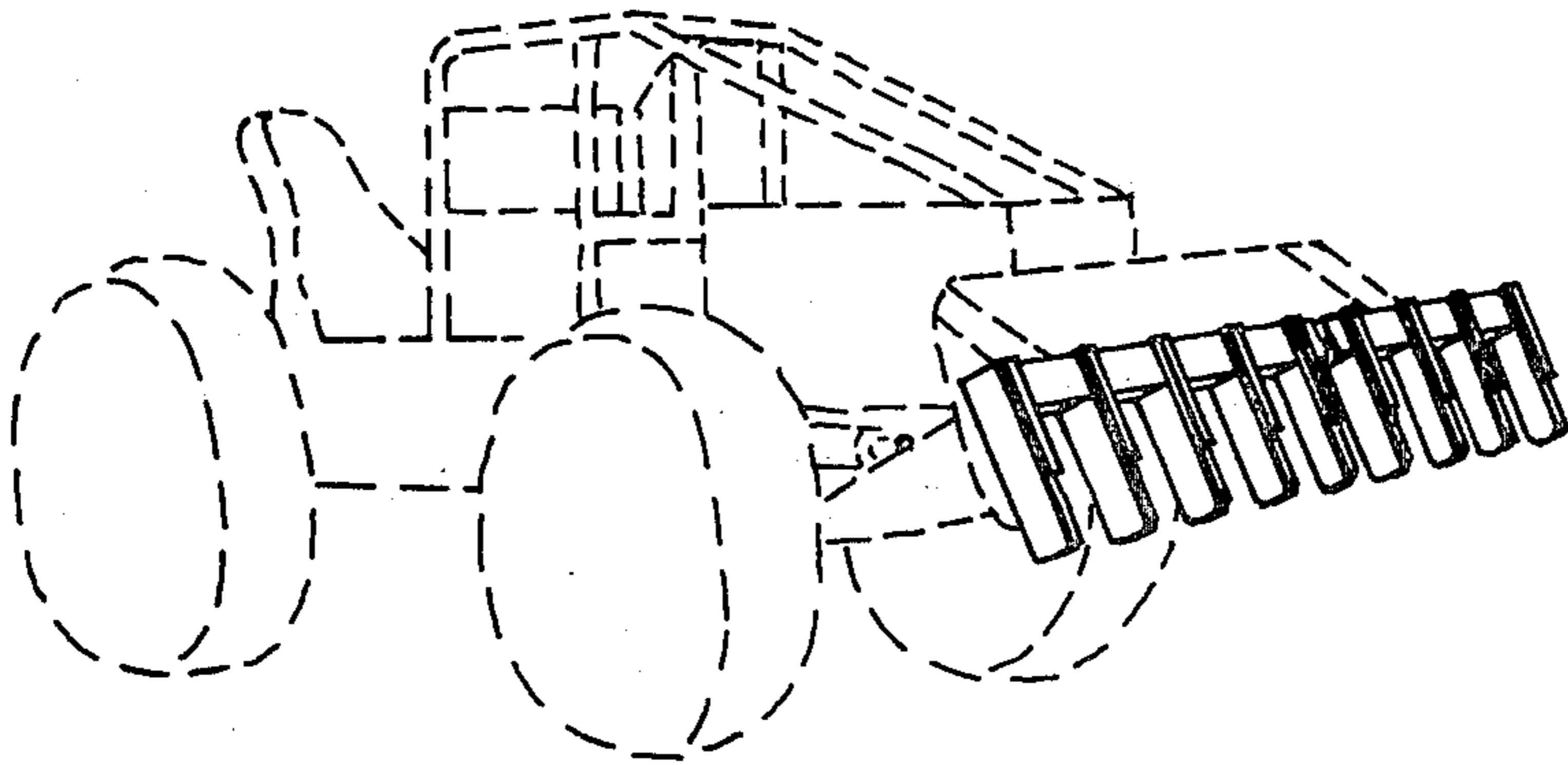


FIGURE 6

FIGURE 2

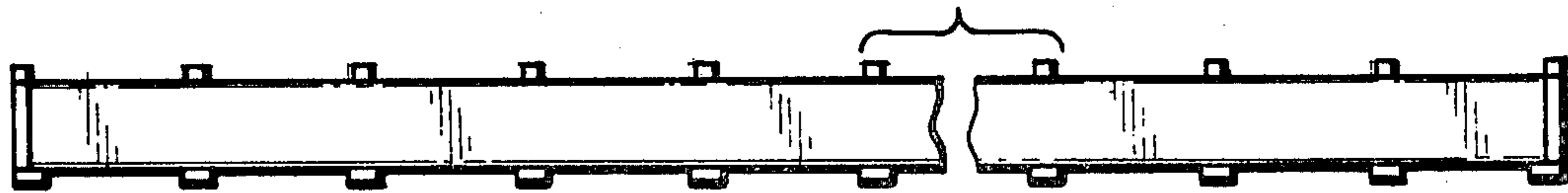
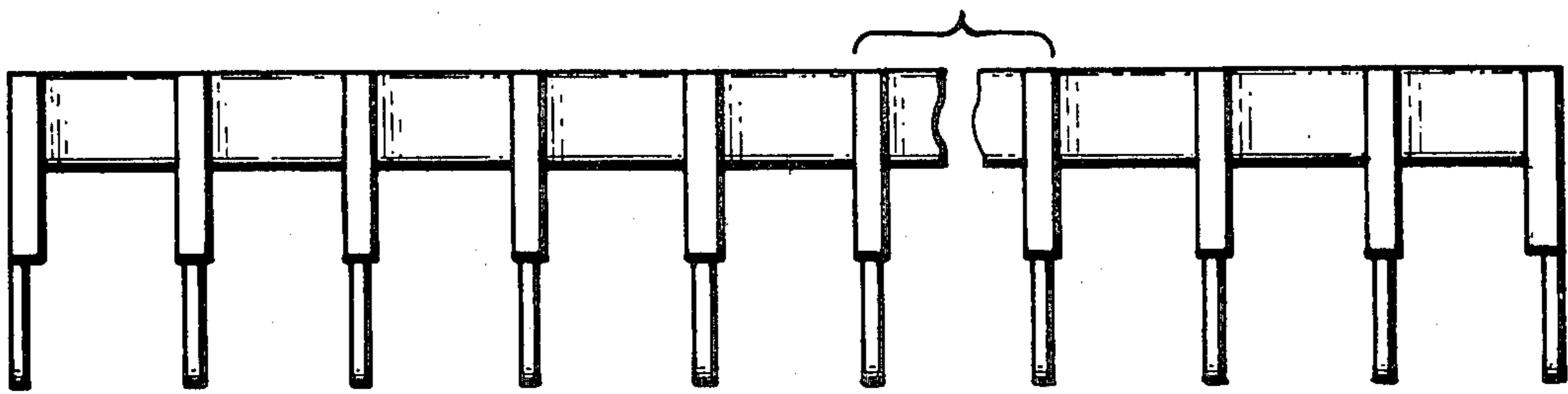


FIGURE 3

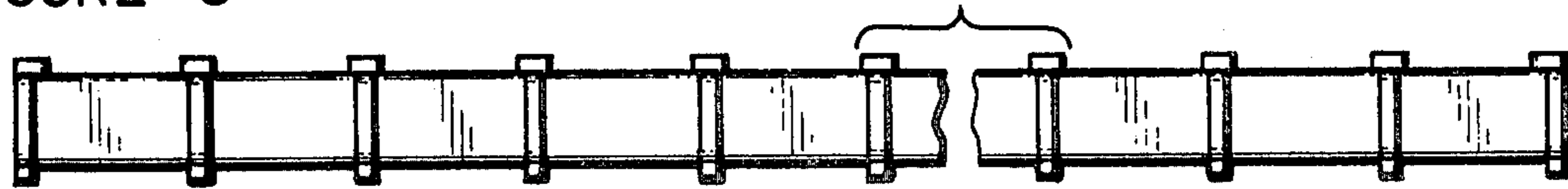


FIGURE 4

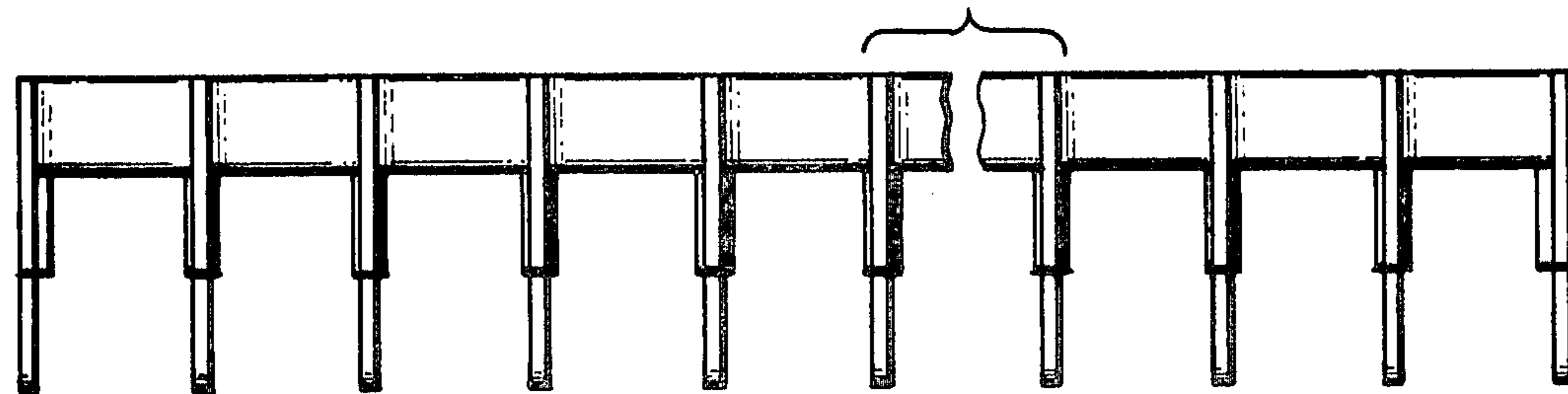


FIGURE 5