

United States Patent [19]

Mawhorr et al.

[11] Patent Number: **Des. 275,678**

[45] Date of Patent: **** Sep. 25, 1984**

[54] **ROAD ROLLER**

[75] Inventors: **Lloyd R. Mawhorr, Shelby; Rainer B. Teufel, Columbus, both of Ohio**

[73] Assignee: **Dresser Industries, Inc., Dallas, Tex.**

[**] Term: **14 Years**

[21] Appl. No.: **312,597**

[22] Filed: **Oct. 19, 1981**

[52] U.S. Cl. **D15/20**

[58] Field of Search **D15/20; 404/122, 125, 404/90, 50**

[56] **References Cited**

U.S. PATENT DOCUMENTS

D. 148,292	1/1948	Essick	D15/20
D. 185,841	8/1959	Schertzer	D15/20
D. 207,532	5/1967	Garis	D15/20
3,066,585	12/1962	Cumpton	404/122
3,416,419	12/1968	Kronholm	404/122
4,260,280	4/1981	Hirn et al.	404/122

4,305,682 12/1981 Opderbeck 404/122

FOREIGN PATENT DOCUMENTS

1182965 3/1970 United Kingdom 404/122

Primary Examiner—Wallace R. Burke
Assistant Examiner—Suzanne N. Gitlin
Attorney, Agent, or Firm—Barry E. Deutsch

[57] **CLAIM**

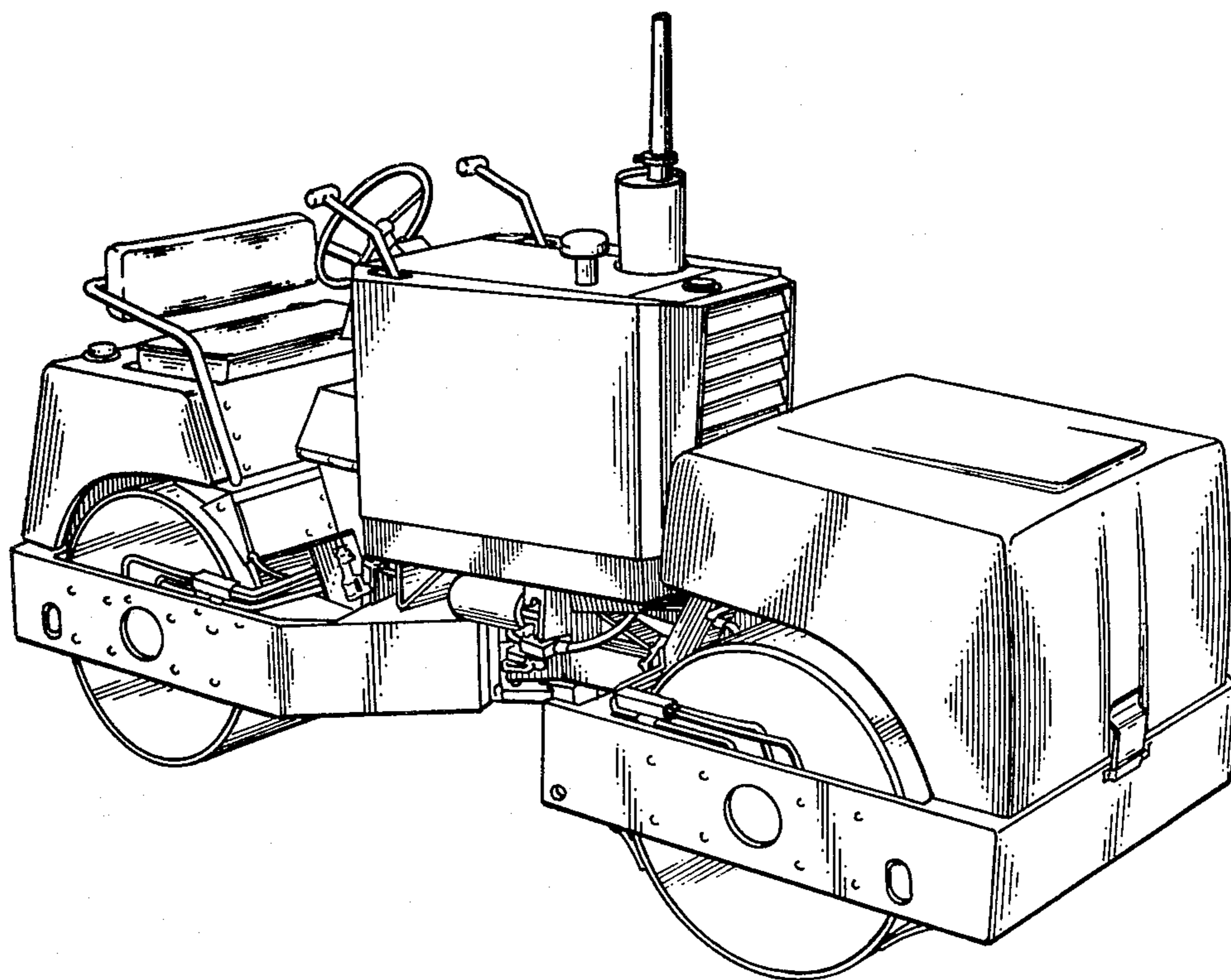
The ornamental design for a road roller, as shown.

DESCRIPTION

FIG. 1 is a perspective view of the road roller illustrating the front, top, and one side showing our new design; FIG. 2 is a perspective view of the road roller illustrating the rear end and the opposite side thereof; and FIG. 3 is a perspective view taken from the opposite side and top of FIG. 2.

FIG. 4 is a side elevational view taken from the left of FIG. 1;

FIG. 5 is a side elevational view taken from the right of FIG. 1.



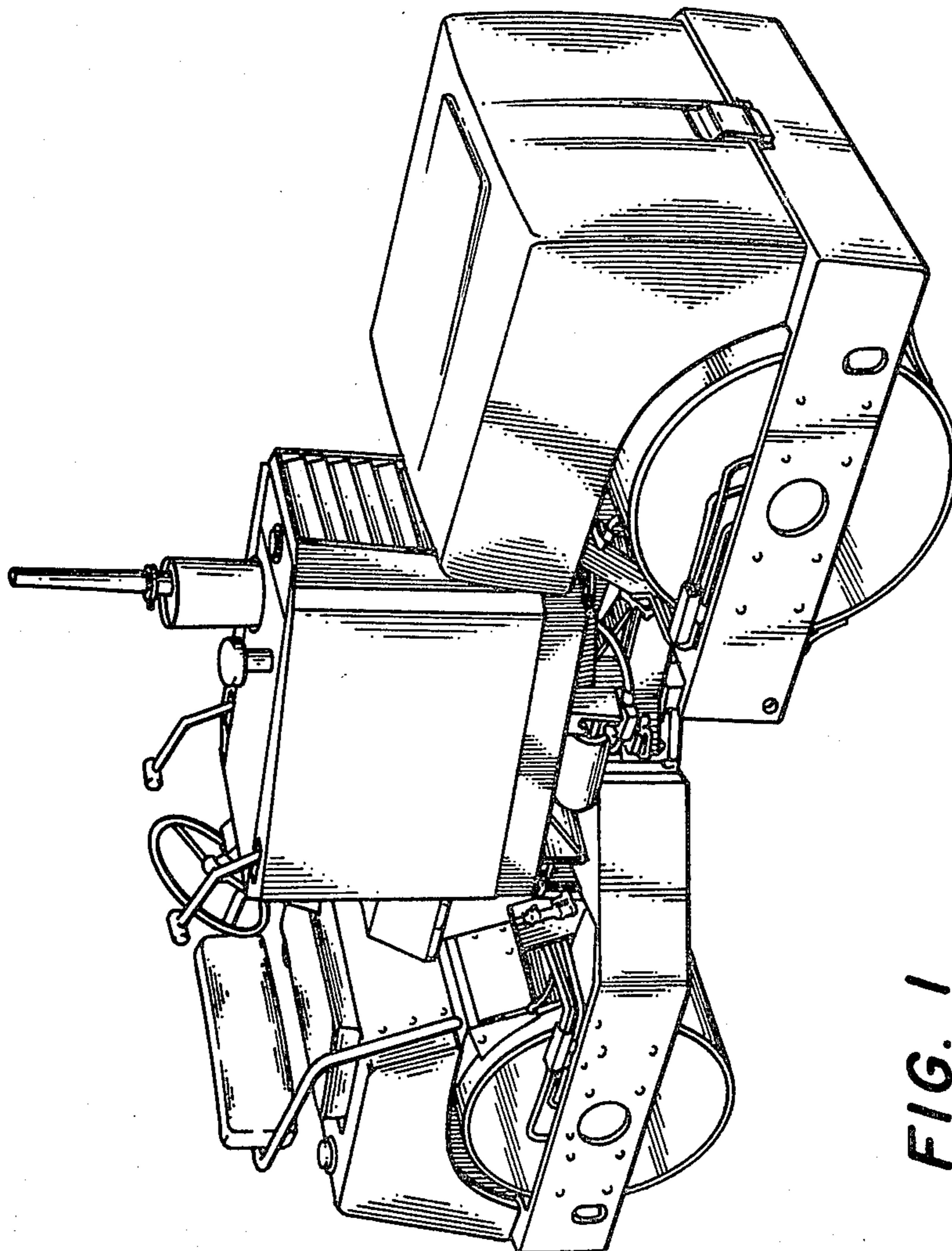
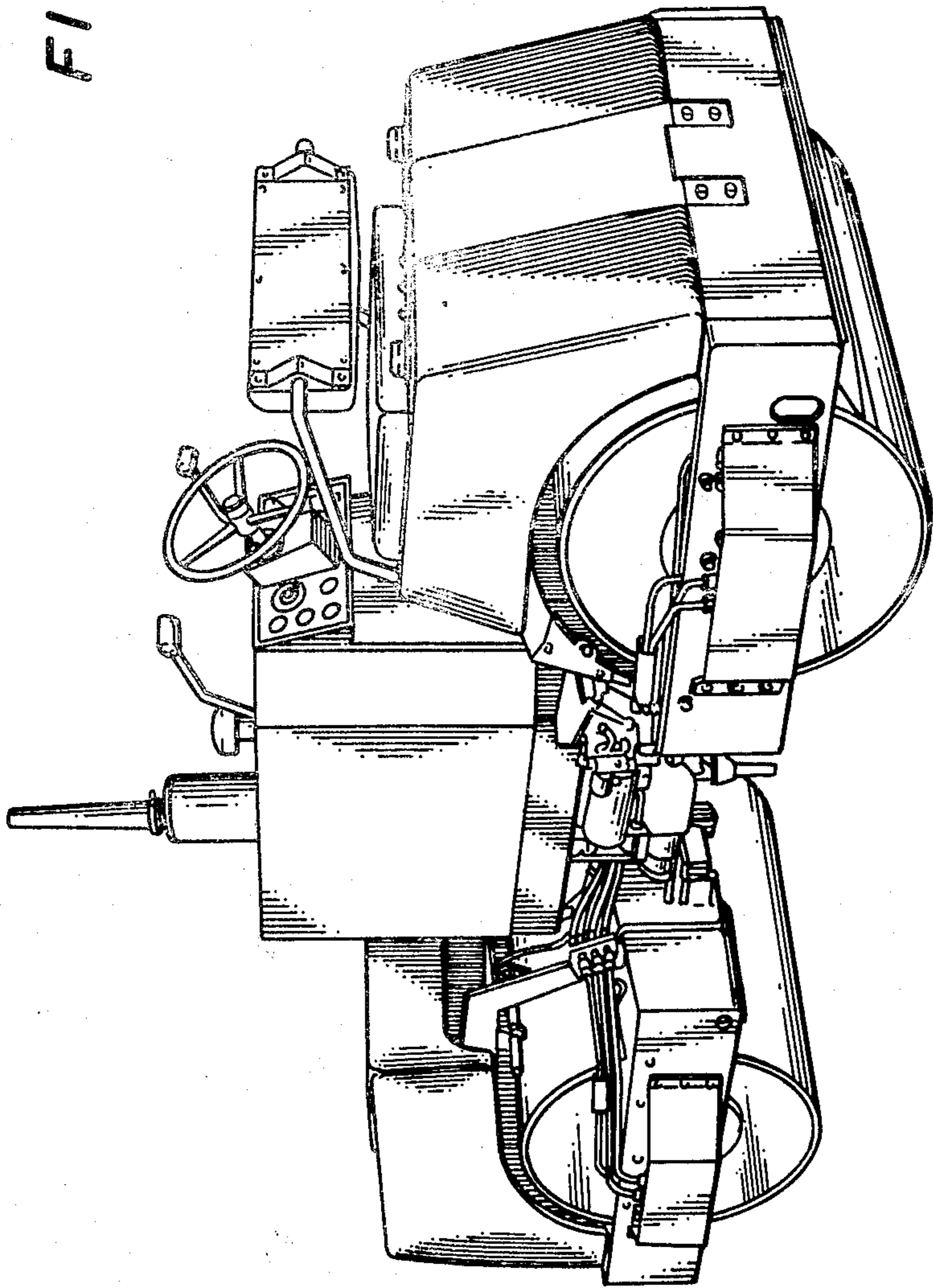


FIG. 1

FIG. 2



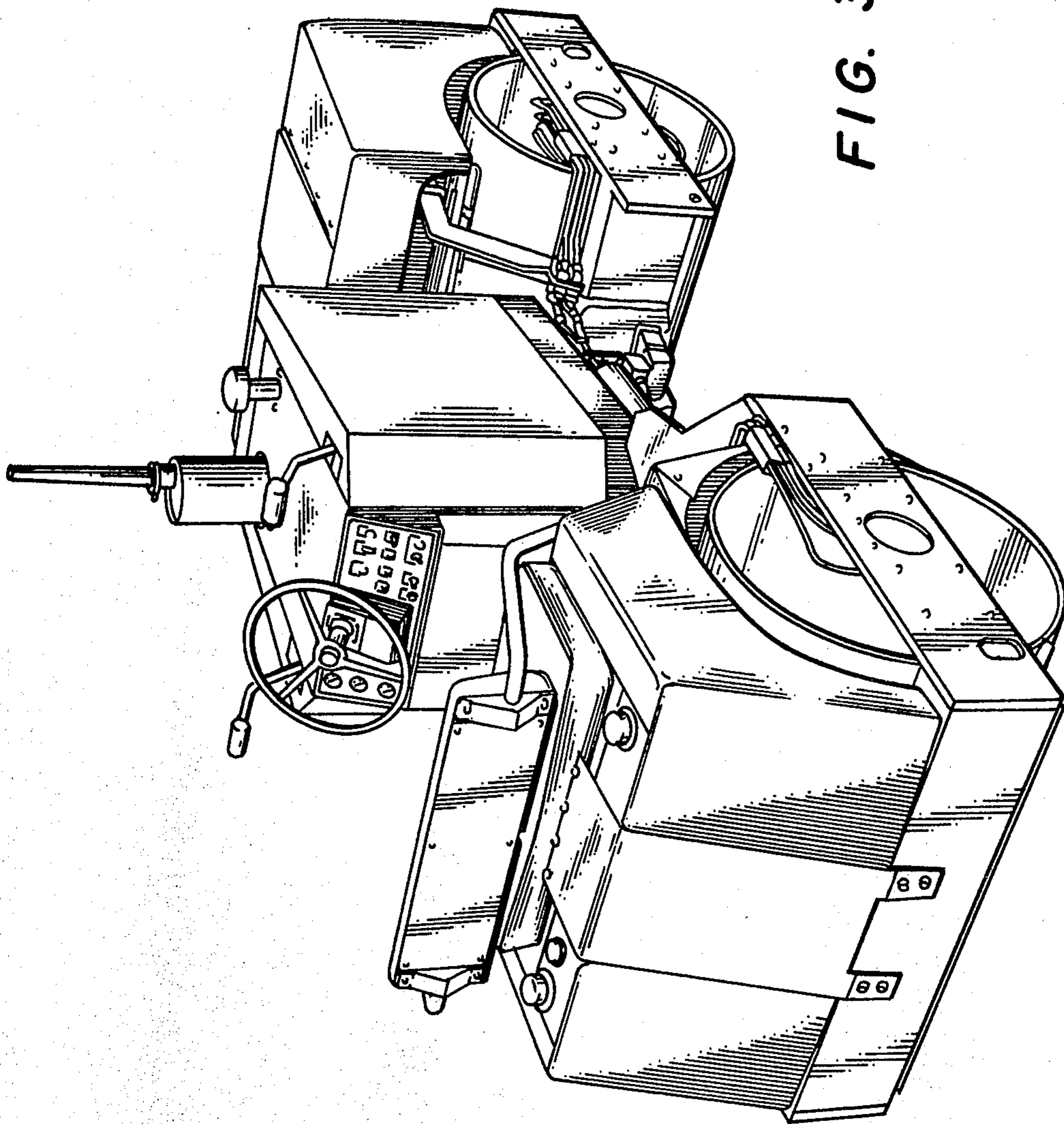


FIG. 3

FIG. 4

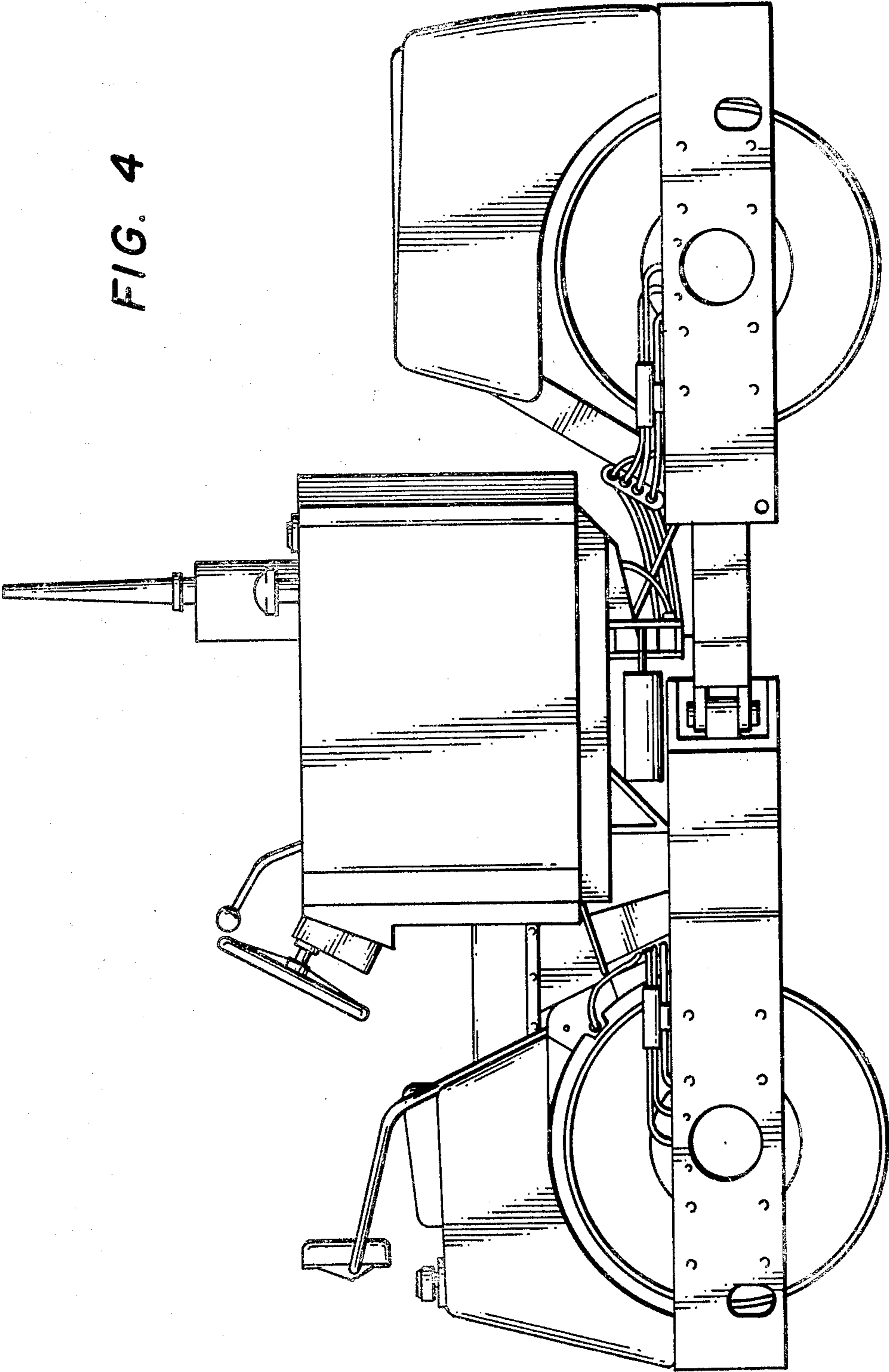


FIG. 5

