

[54] **TELEPHONE STAND OR SIMILAR  
KEYBOARD ARTICLE**

[75] **Inventors: Donald M. Genaro, Haworth, N.J.;  
John Neil McGarvey, Drexel Hill,  
Pa.**

[73] **Assignee: AT&T Bell Laboratories, Murray  
Hill, N.J.**

[\*\*] **Term: 14 Years**

[21] **Appl. No.: 345,559**

[22] **Filed: Feb. 4, 1982**

[52] **U.S. Cl. .... D14/59; D14/60**

[58] **Field of Search ..... D14/60, 53, 64, 63,  
D14/57; 179/178, 179, 100 D, 100 R, 103**

[56] **References Cited**

**U.S. PATENT DOCUMENTS**

- D. 206,227 11/1966 Cuccio et al. .... D14/57
- D. 219,383 12/1970 Fox ..... D14/52
- D. 247,174 2/1978 Janda ..... D14/57

- D. 247,813 5/1978 Genaro et al. .... D14/60
- D. 250,891 1/1979 Renard ..... D14/03
- D. 260,643 9/1981 Foggia et al. .... D14/60
- D. 264,715 6/1982 Trussler ..... D14/60
- D. 265,089 6/1982 Bee ..... D14/60

*Primary Examiner*—Wallace R. Burke  
*Assistant Examiner*—Horace B. Fay  
*Attorney, Agent, or Firm*—H. L. Newman

[57] **CLAIM**

The ornamental design for a telephone stand or similar keyboard article, substantially as shown and described.

**DESCRIPTION**

FIG. 1 is a perspective view of a telephone stand or similar keyboard article embodying our new design; FIG. 2 is a top view taken perpendicular to the face of the article; FIG. 3 is a side view thereof; FIG. 4 is a front view thereof; and FIG. 5 is a rear view thereof.

The broken line showing a handset cradle is for illustrative purposes only.

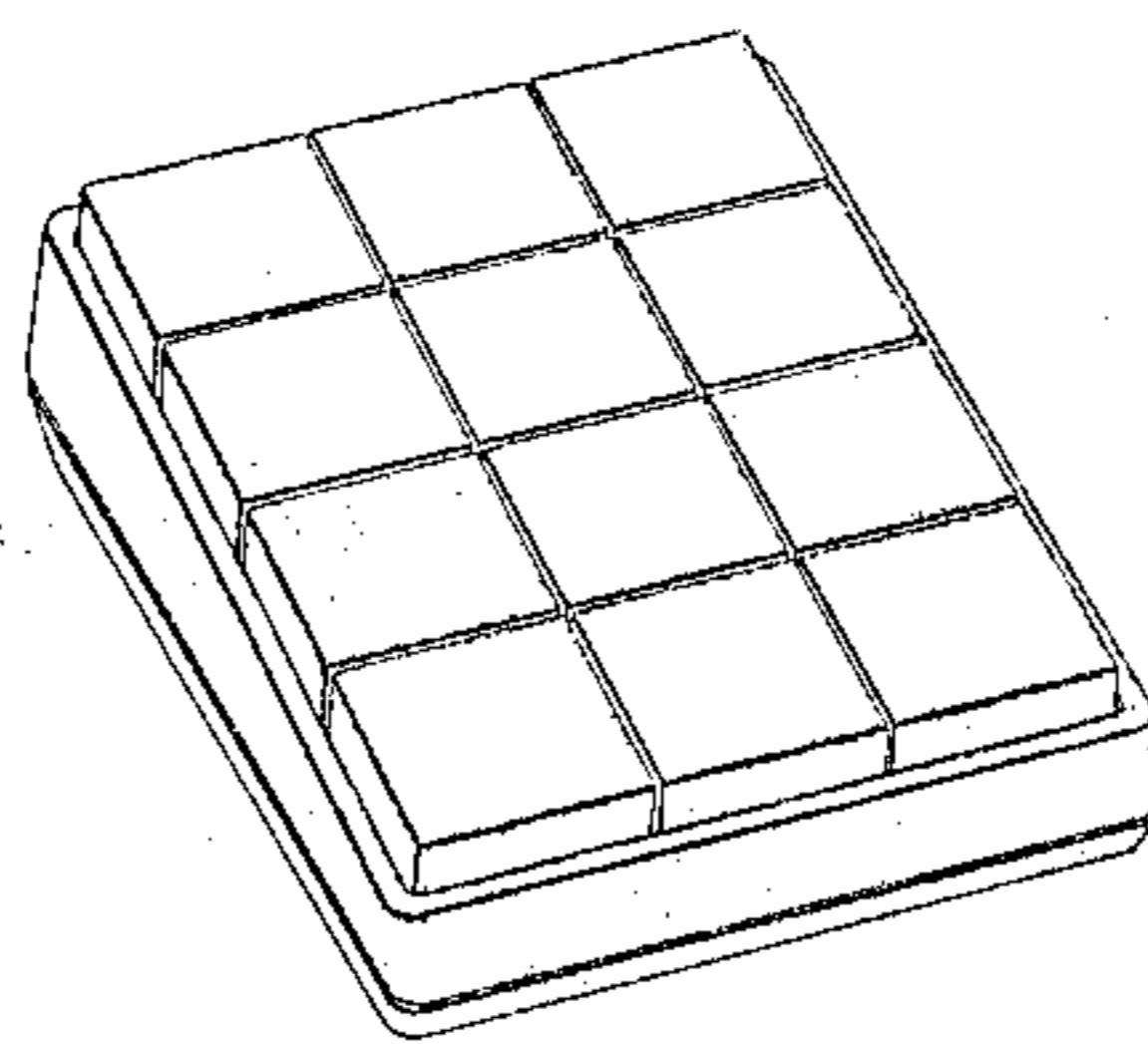


FIG. 1

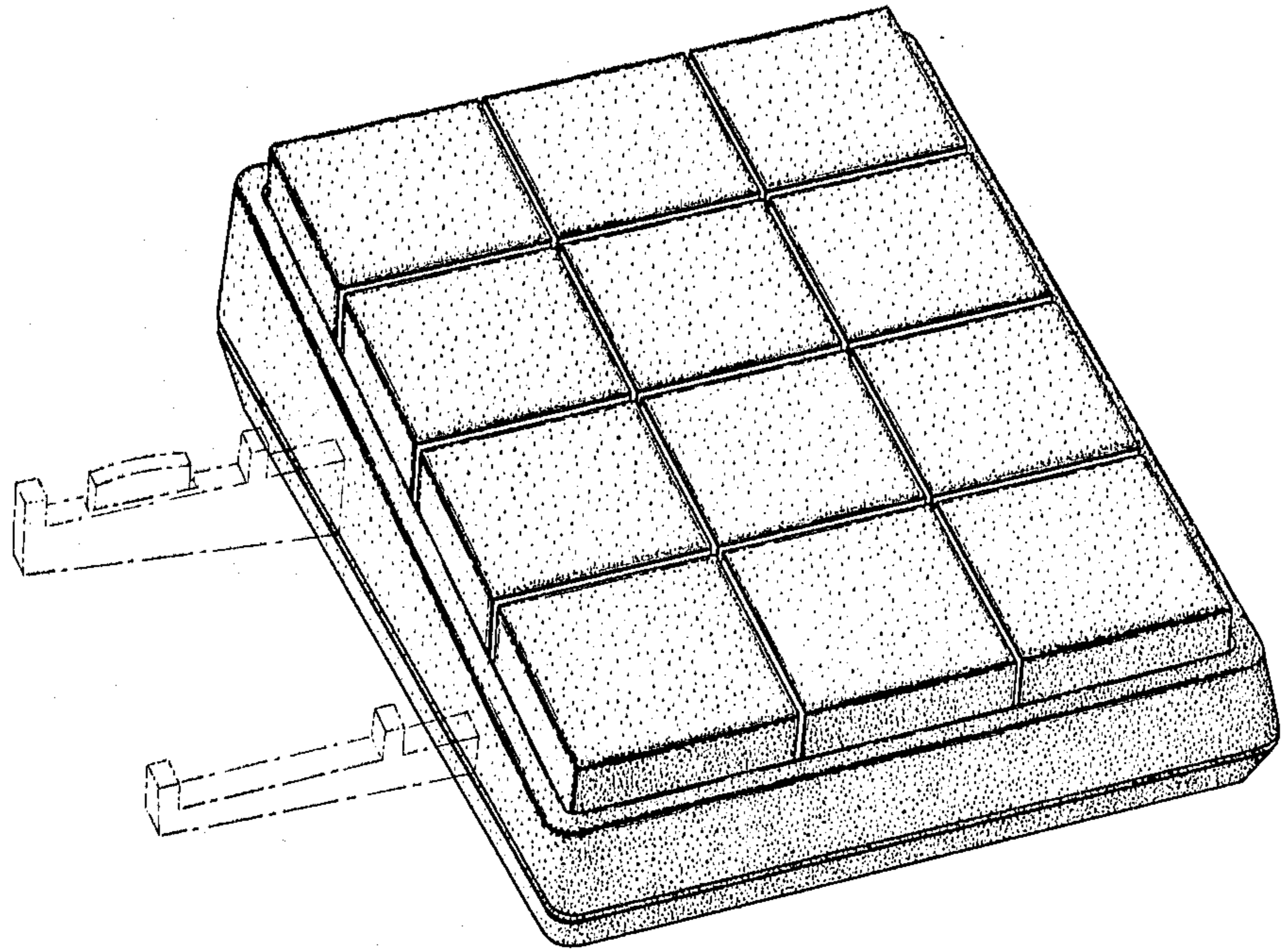


FIG. 2

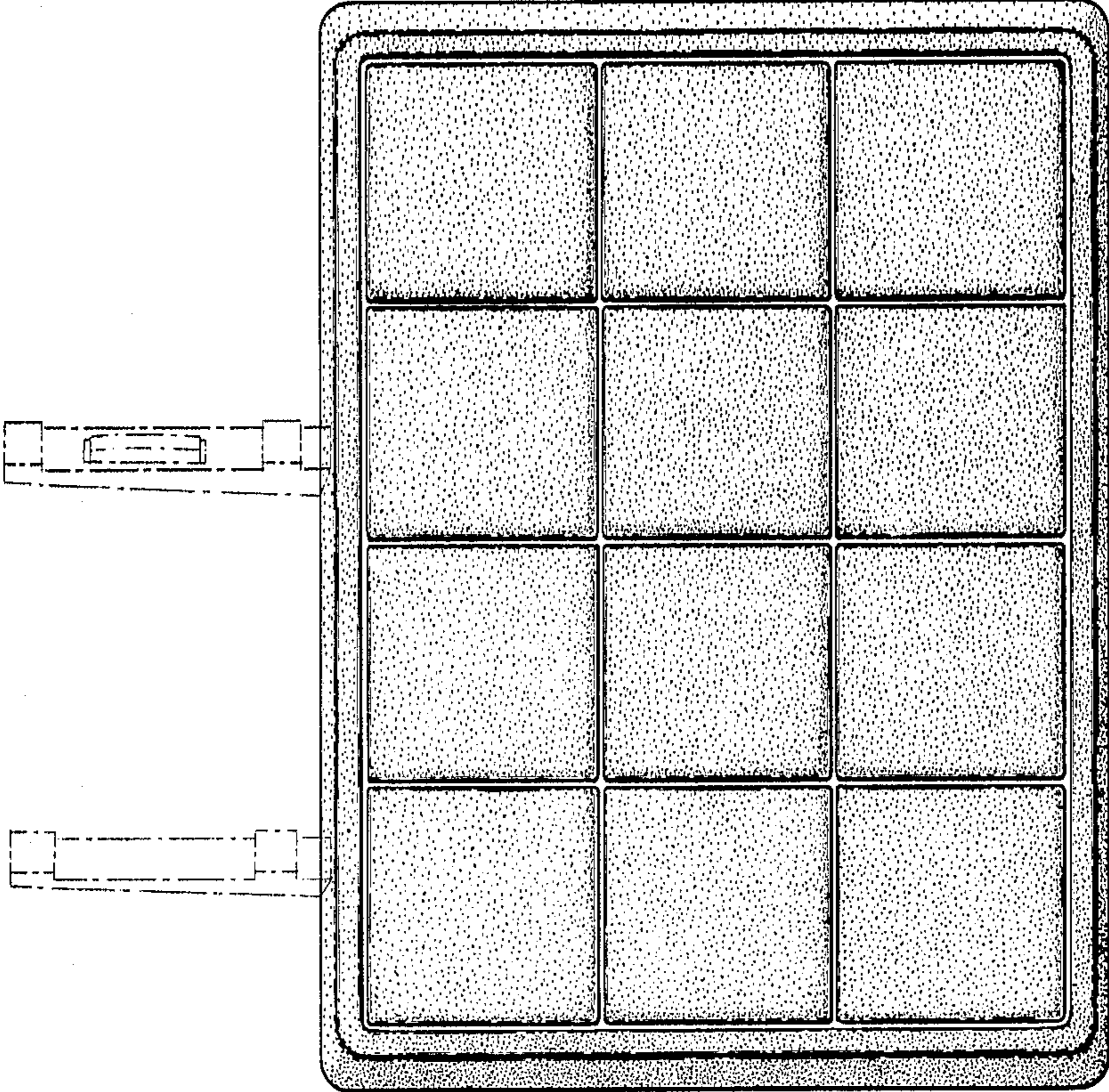


FIG. 3

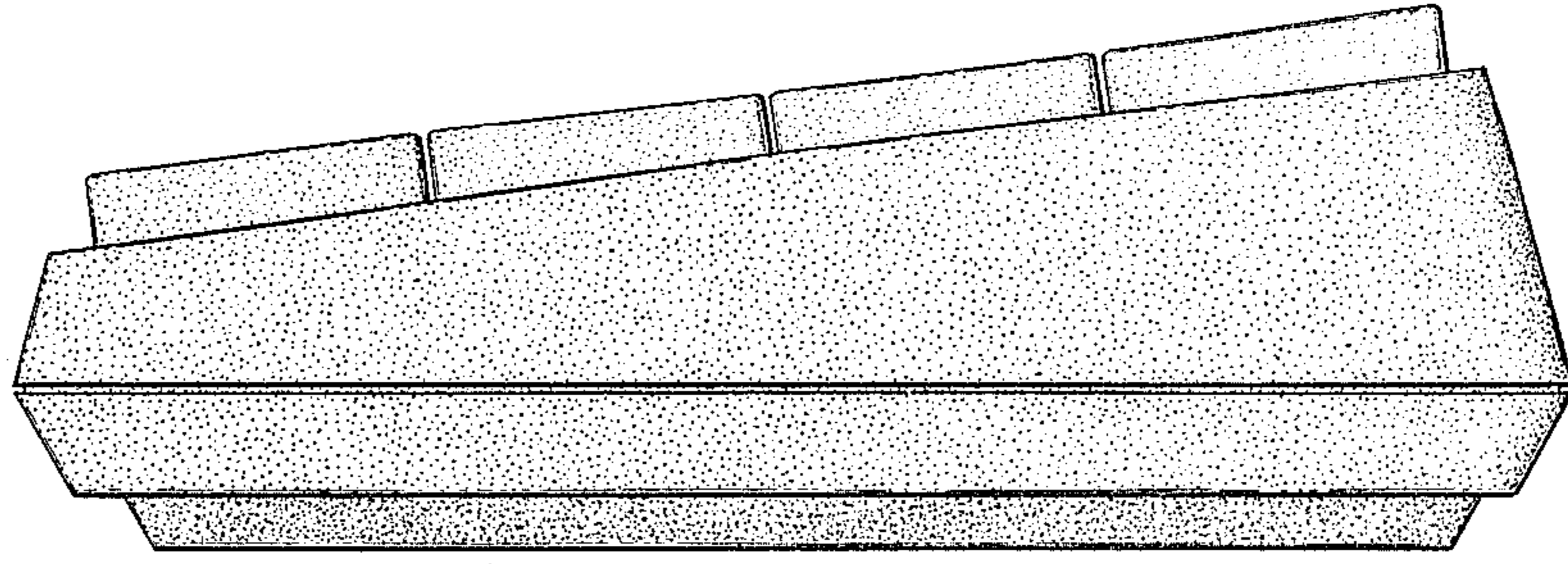


FIG. 4

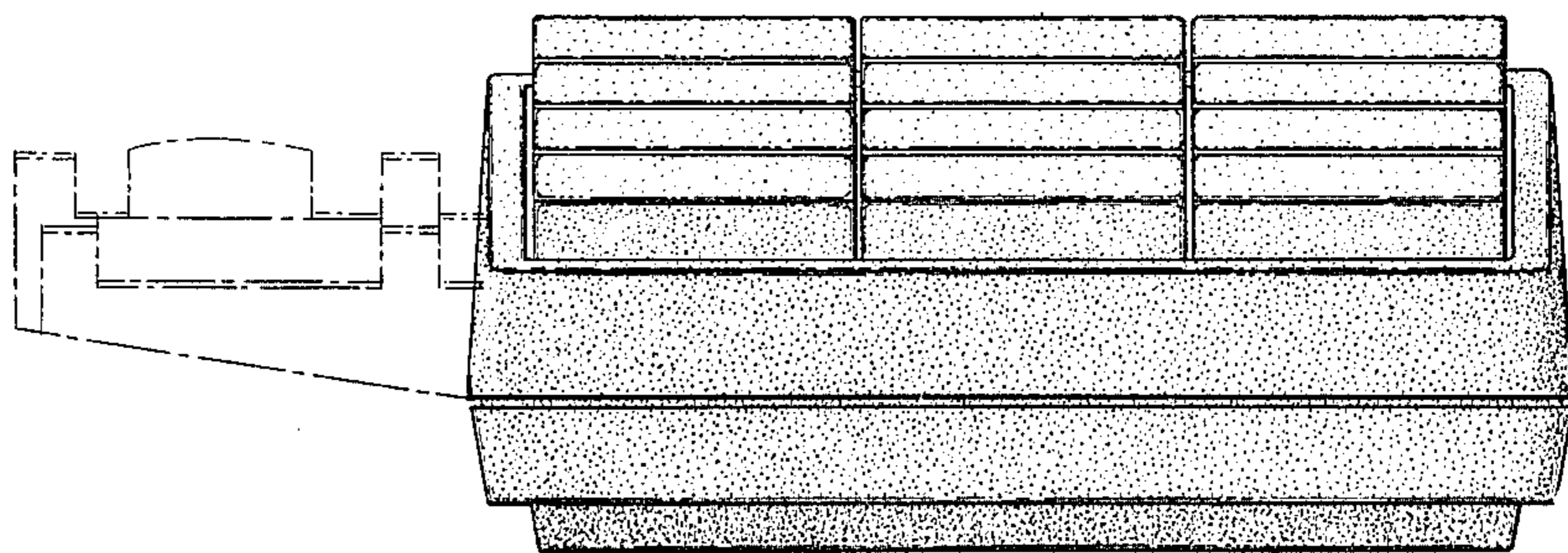


FIG. 5

