

[54] CONTAINER CLOSURE

[75] Inventor: Donald J. Bainton, Greenwich, Conn.

[73] Assignee: The Continental Group, Inc., New York, N.Y.

[\*\*] Term: 14 Years

[21] Appl. No.: 376,459

[22] Filed: May 10, 1982

[52] U.S. Cl. .... D9/438; D9/443; D9/447

[58] Field of Search ..... D9/435, 438, 443, 447-450, D9/453; 220/269-273; 215/200, 274, 293, 306; 222/546, 534

[56] References Cited

U.S. PATENT DOCUMENTS

- D. 214,883 8/1969 Hazard ..... D9/450
- D. 217,711 6/1970 Hazard ..... D9/450
- D. 263,799 4/1982 Nilsson ..... D9/443 X
- D. 263,805 4/1982 Seager ..... D9/443

- D. 272,323 1/1984 Bainton ..... D9/438
- 2,844,267 7/1958 Petriccione ..... D9/438 X
- 3,266,659 8/1966 Frankenberg ..... D9/438 X
- 3,430,825 3/1969 Wilson ..... D9/450 X

Primary Examiner—Robert C. Spangler  
Attorney, Agent, or Firm—Charles E. Brown

[57] CLAIM

The ornamental design for a container closure, as shown and described.

DESCRIPTION

FIG. 1 is a top perspective view of a container closure showing my new design;  
 FIG. 2 is a top plan view on an enlarged scale;  
 FIG. 3 is a rear elevational view;  
 FIG. 4 is a front elevational view;  
 FIG. 5 is an elevational view looking from the left of FIG. 3;  
 FIG. 6 is a bottom plan view;  
 FIG. 7 is a medial cross-sectional view taken from left to right in FIG. 2; and  
 FIG. 8 is a top plan view in open position.

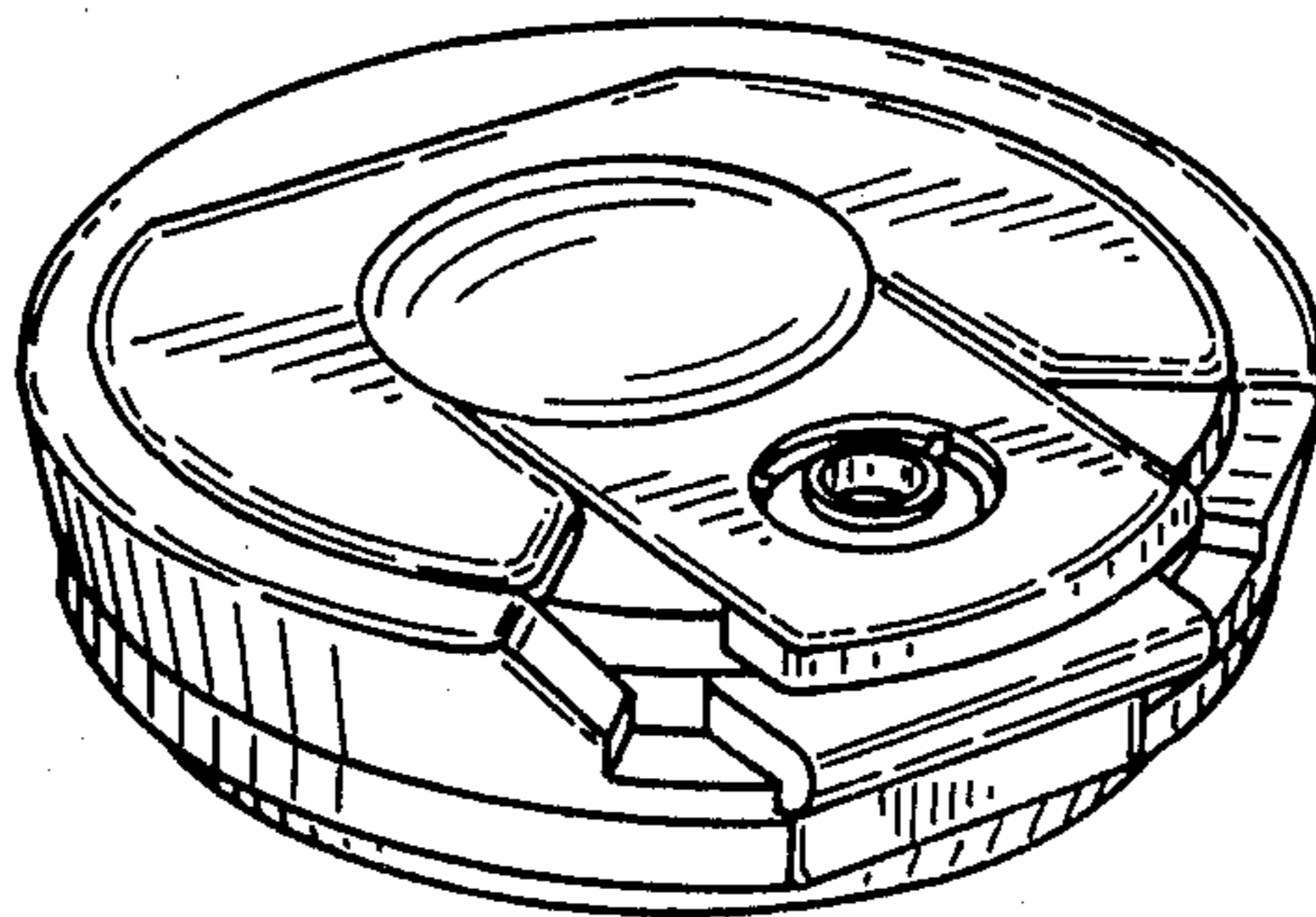


FIG-1-

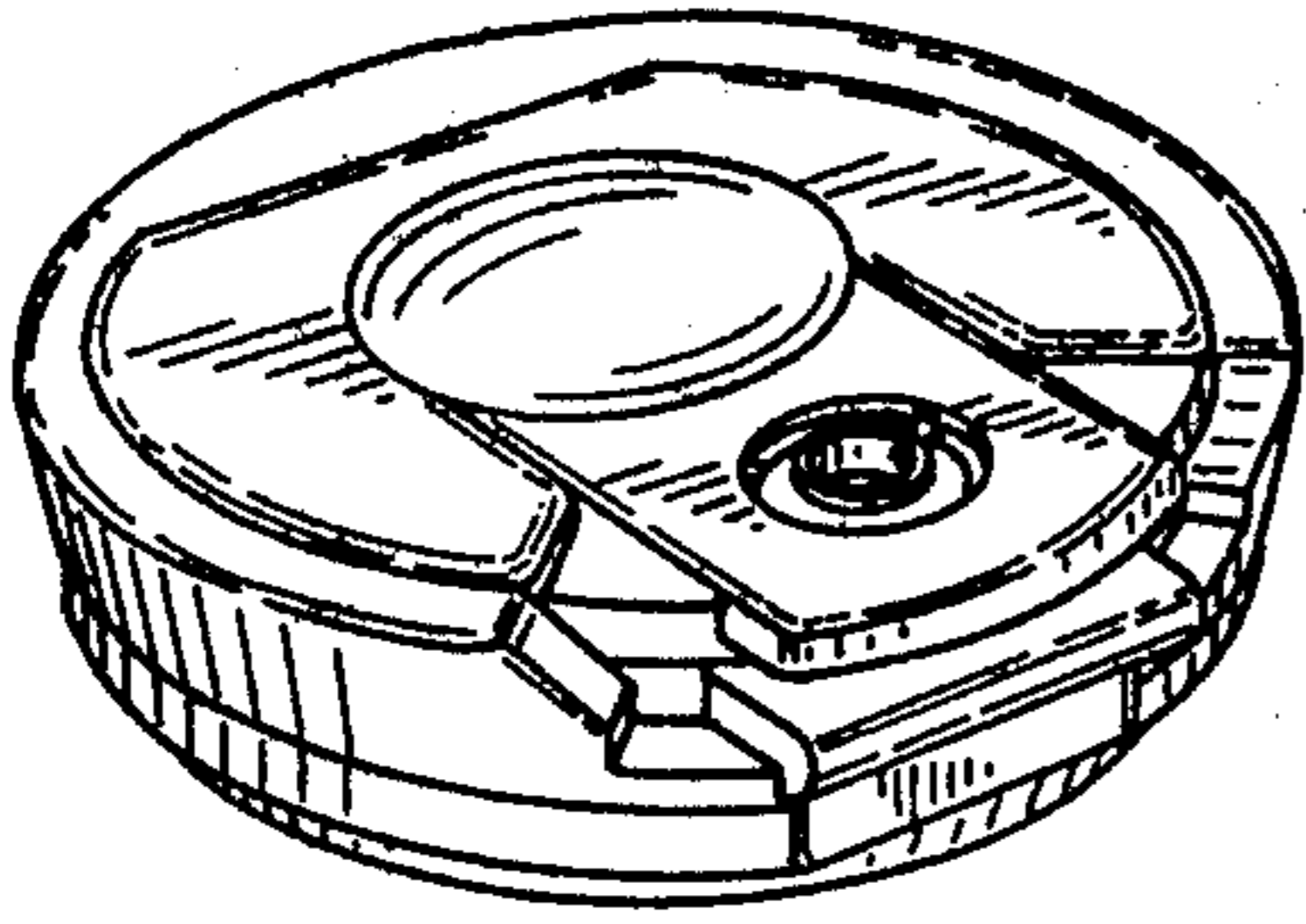


FIG-2-

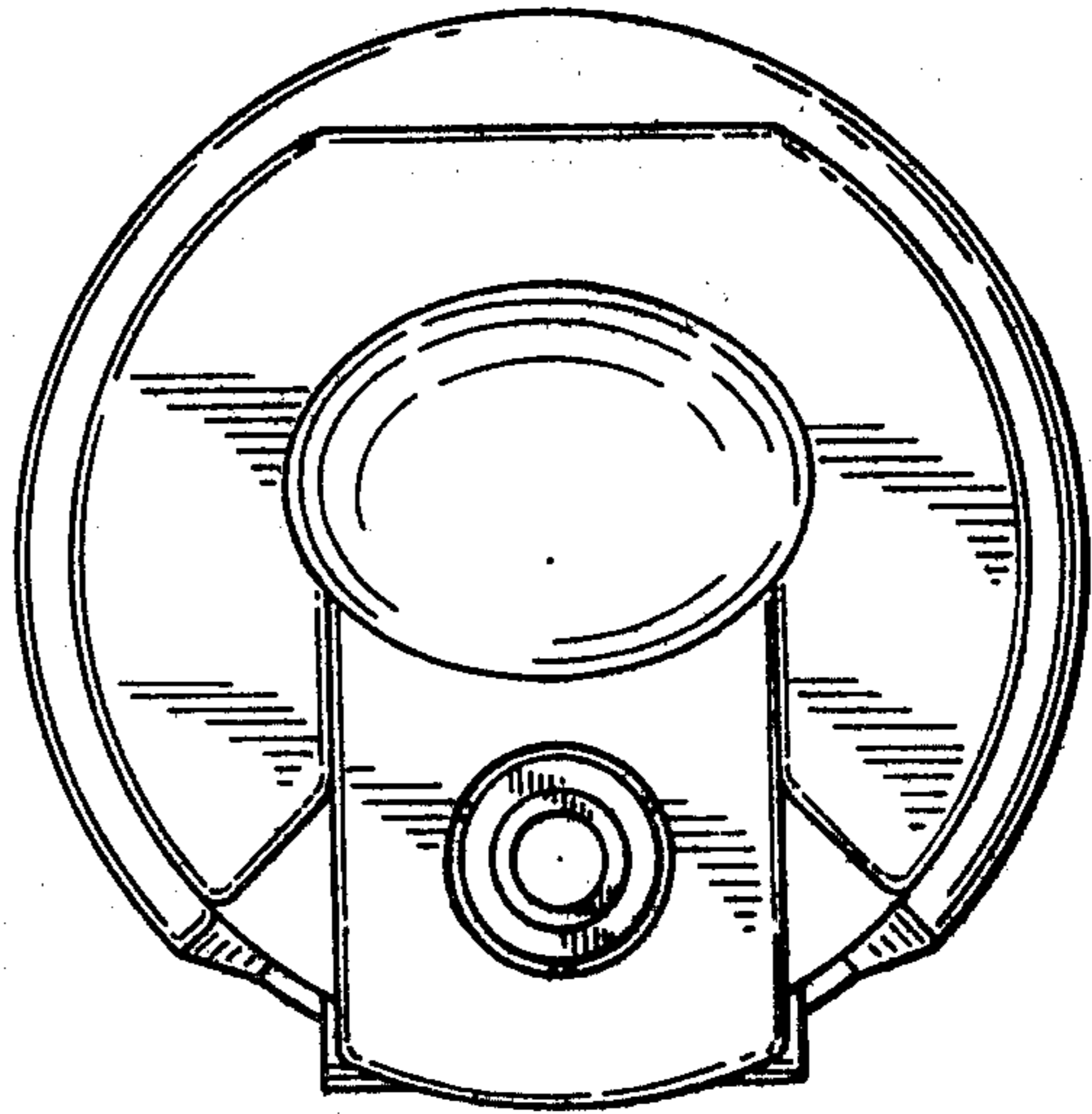


FIG-3-

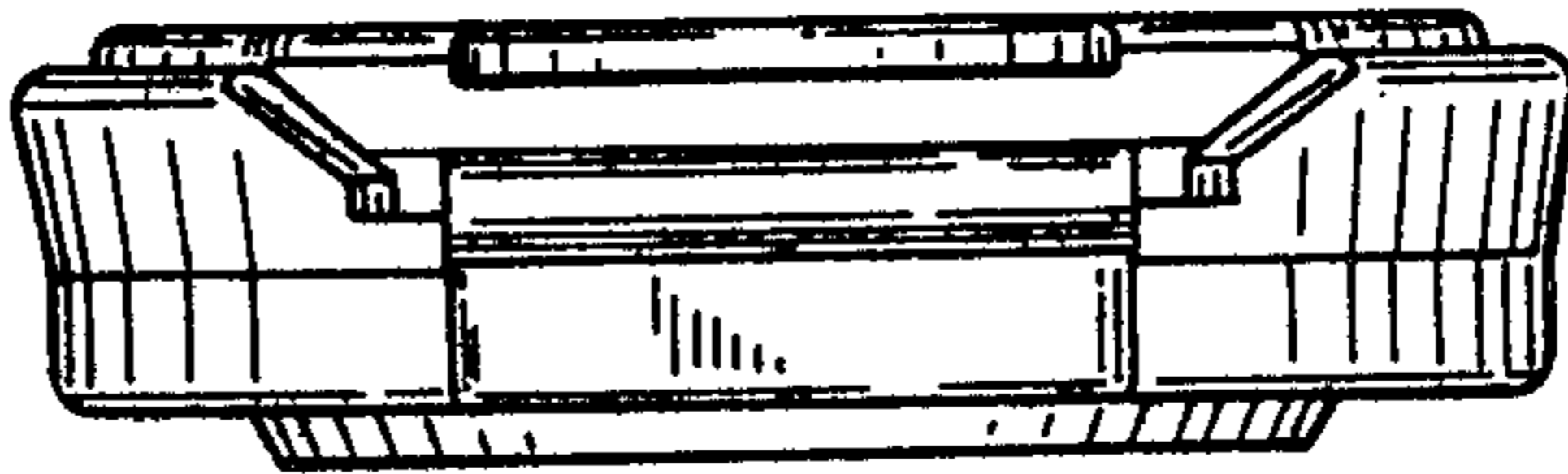


FIG-4-

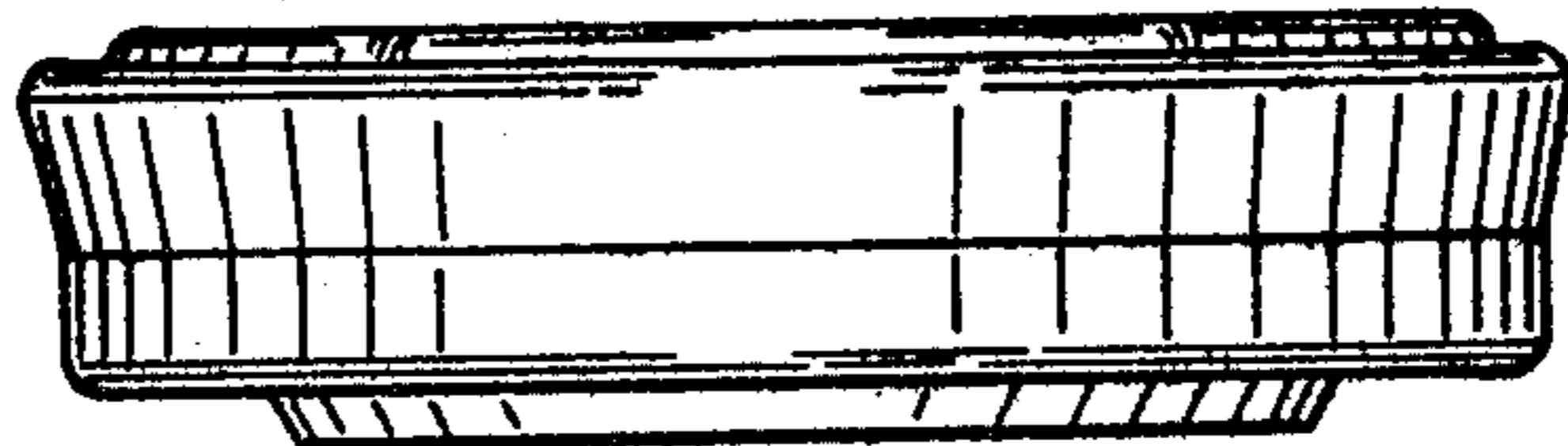
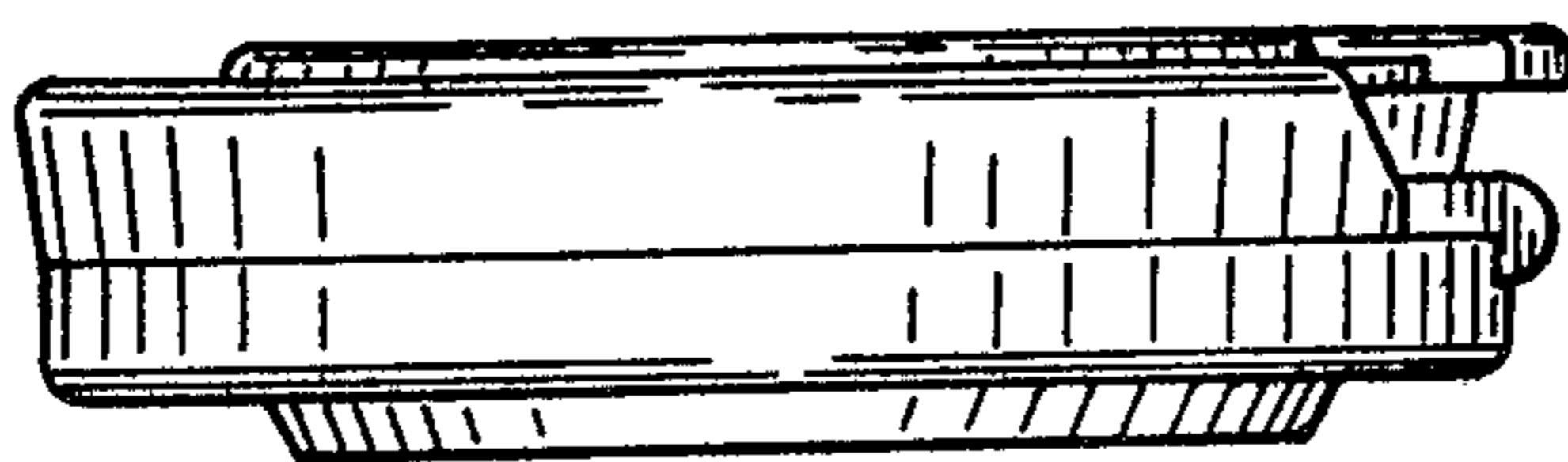


FIG-5-



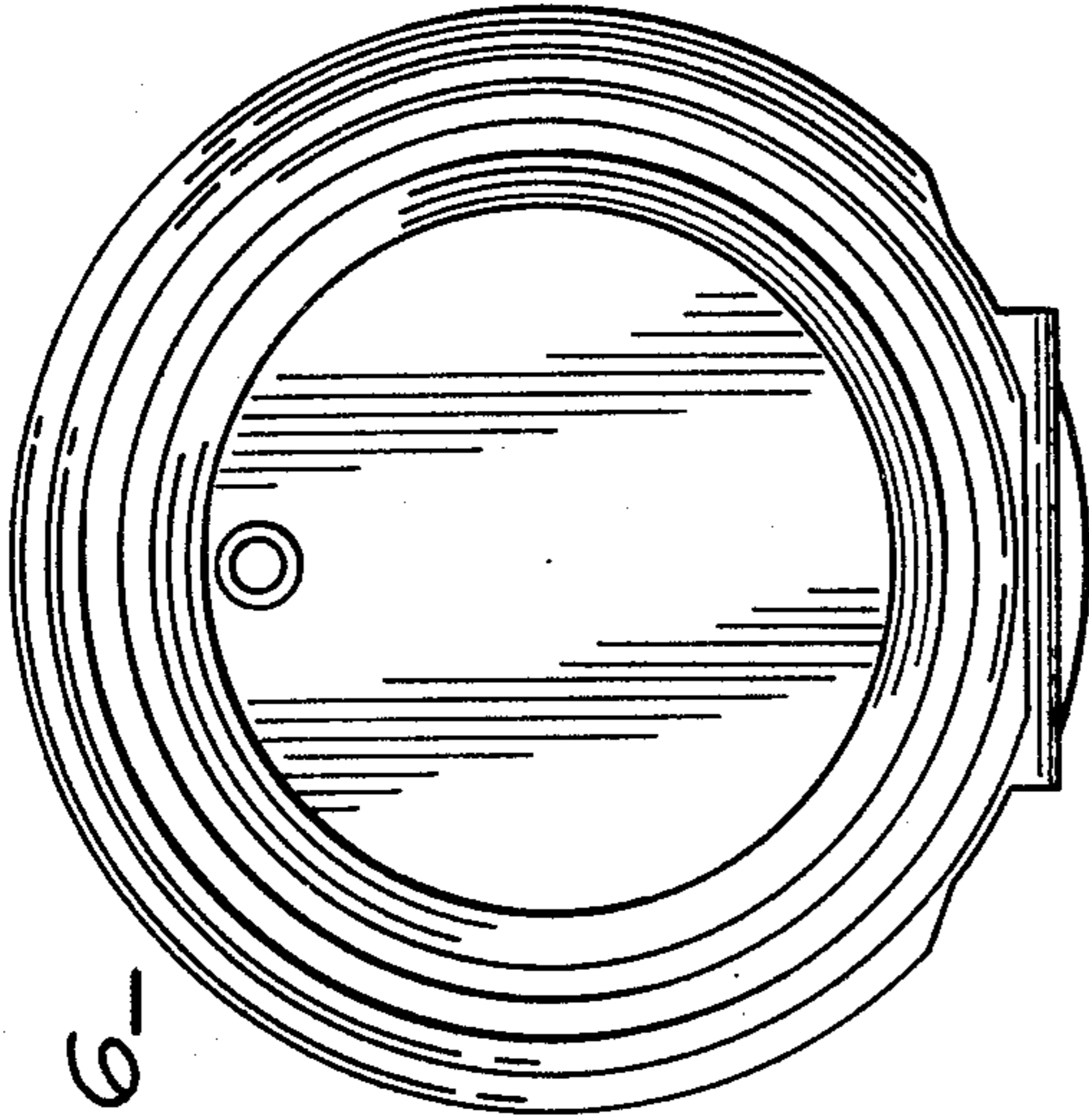


FIG-6-

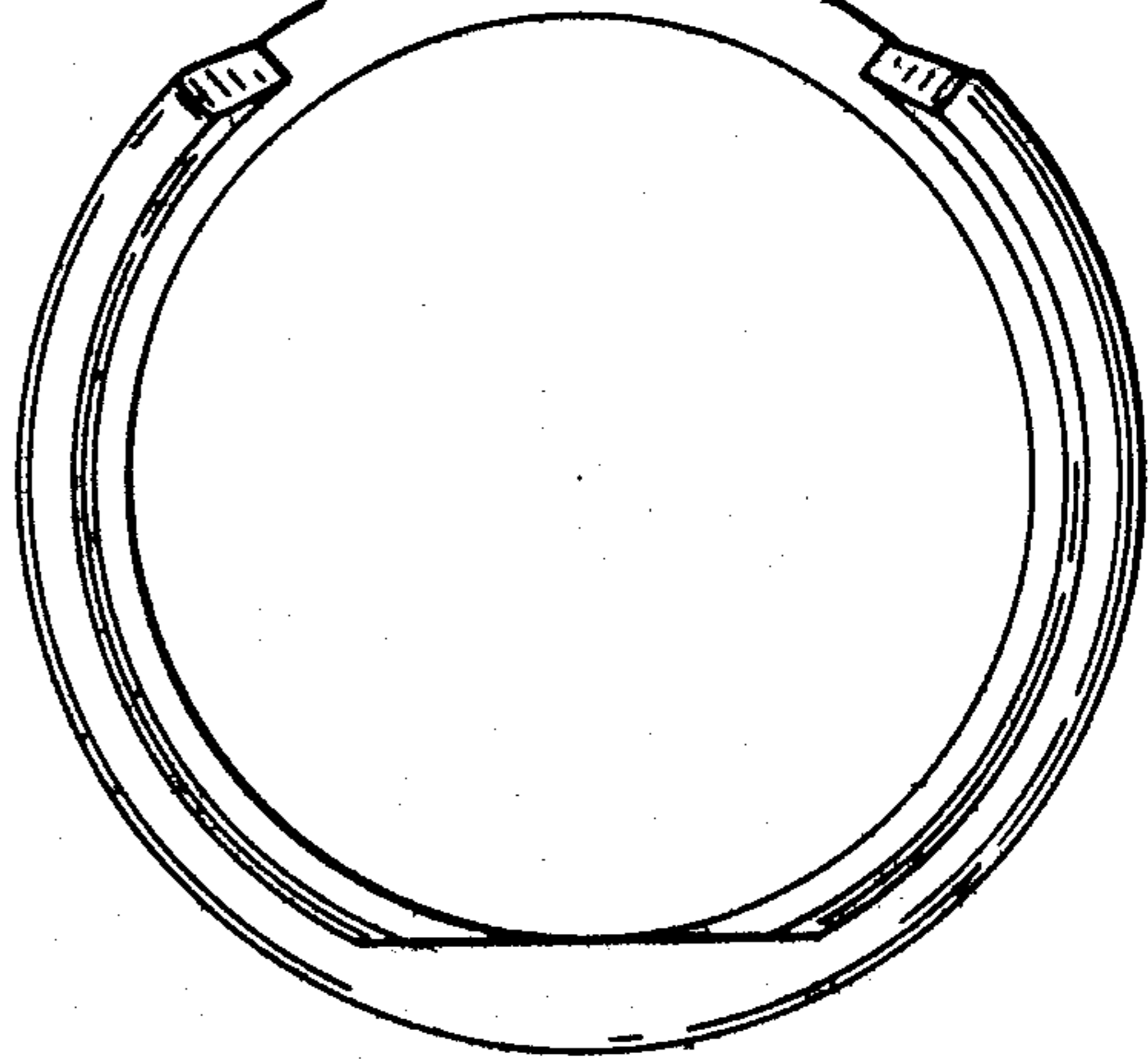
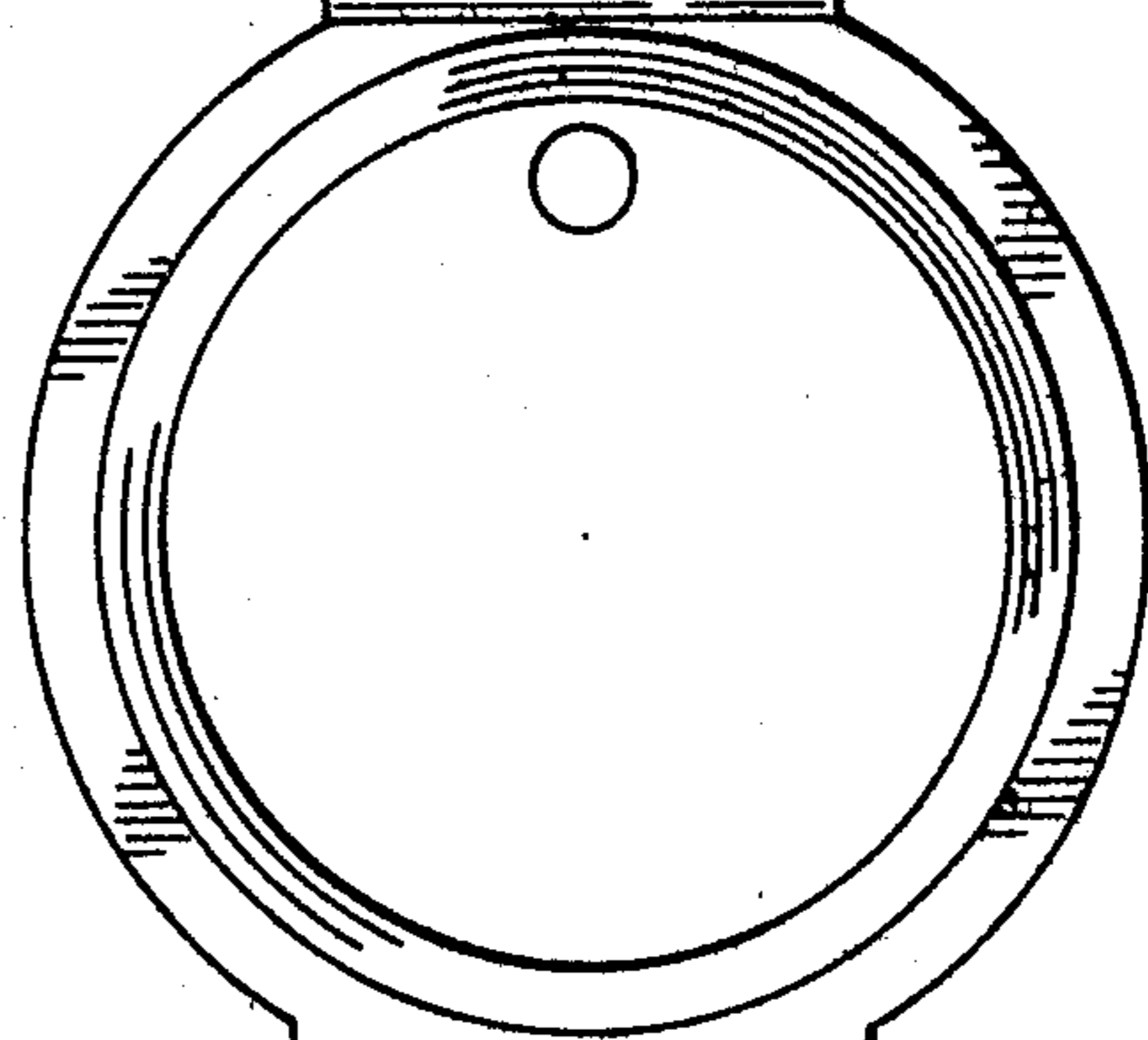
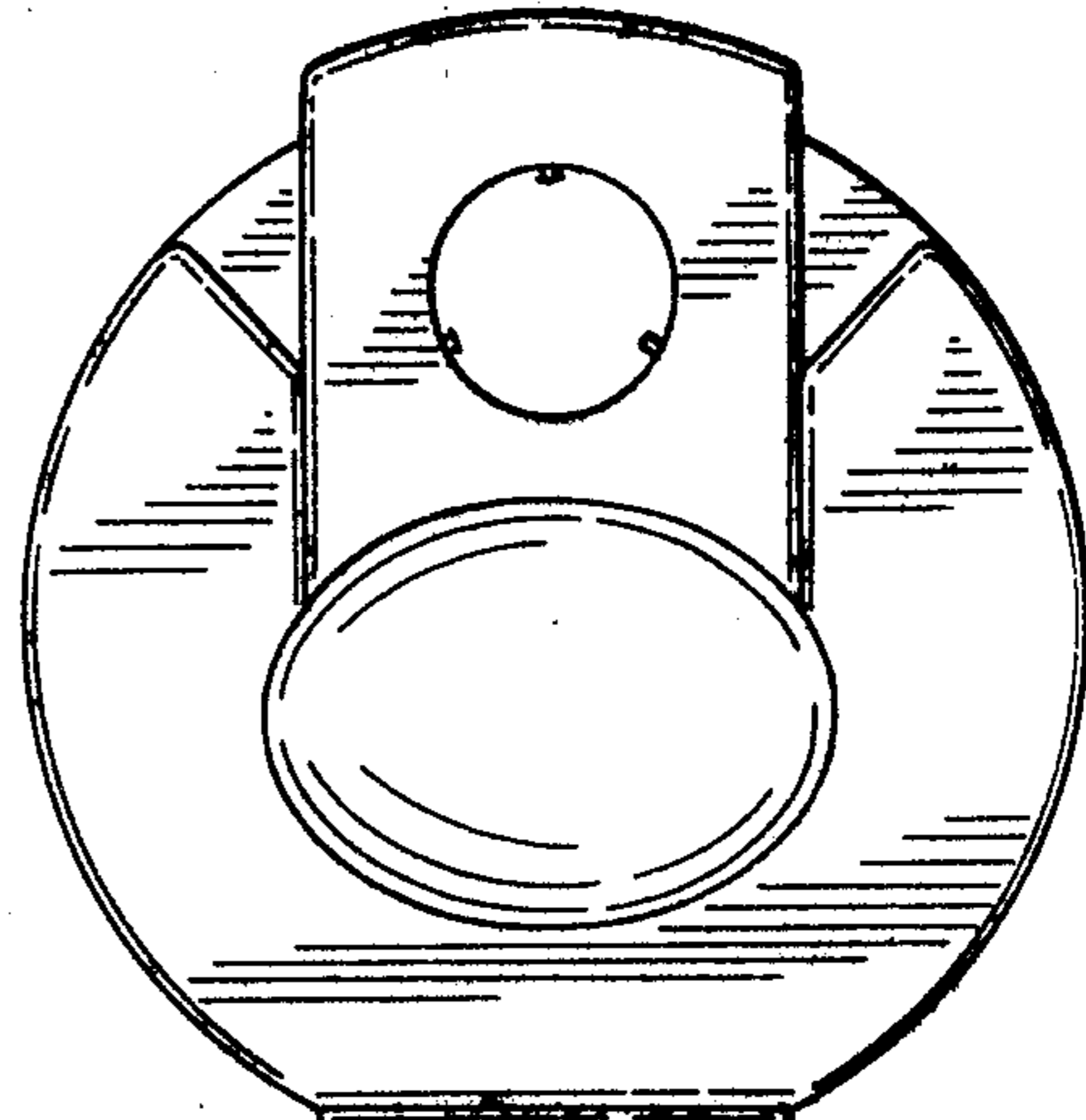


FIG-8-

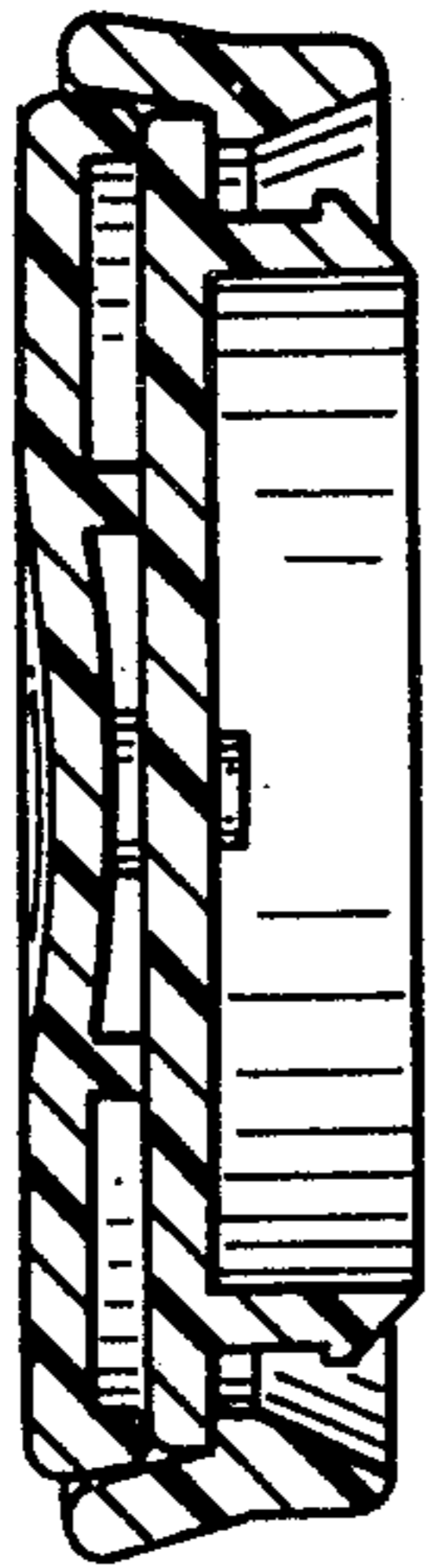


FIG-7-