

[54] **CASE FOR A MAGNETIC TAPE MAGAZINE**

[75] **Inventor: Keiichi Yoshizawa, Chiba, Japan**

[73] **Assignee: TDK Electronics Co., Ltd., Tokyo, Japan**

[**] **Term: 14 Years**

[21] **Appl. No.: 330,489**

[22] **Filed: Dec. 8, 1981**

Related U.S. Application Data

[63] Continuation of Ser. No. 28,543, Apr. 9, 1979, abandoned.

[30] **Foreign Application Priority Data**

Oct. 19, 1978 [JP] Japan 53-44345

[52] **U.S. Cl. D9/432; D3/35**

[58] **Field of Search D3/35; 229/9; 206/387; D14/6, 11; D9/432**

[56] **References Cited**

U.S. PATENT DOCUMENTS

- D. 255,874 7/1980 Fujimoto et al. D9/432
- D. 263,794 4/1982 Yoshizawa D3/35

OTHER PUBLICATIONS

Office Products 4/76, p. 56, Item in center box.

Primary Examiner—George P. Word
Attorney, Agent, or Firm—Stevens, Davis, Miller & Mosher

[57] **CLAIM**

The ornamental design for a case for a magnetic tape magazine, as shown and described.

DESCRIPTION

FIG. 1 is a perspective view of a case for a magnetic tape magazine showing my new design; FIG. 2 is an inverted rear perspective view thereof; FIG. 3 is a top plan view; and FIG. 4 is a vertical cross-sectional view taken through the cut-outs.

The characteristic feature of this design resides in a plurality of longitudinally extending bars on one surface of the case, the bars being arranged in two groups with the extreme upper bar and extreme lower bar being the longest and the central bars being of approximately the same length, with a space between the two groups approximately equal to the width of one of the bars.

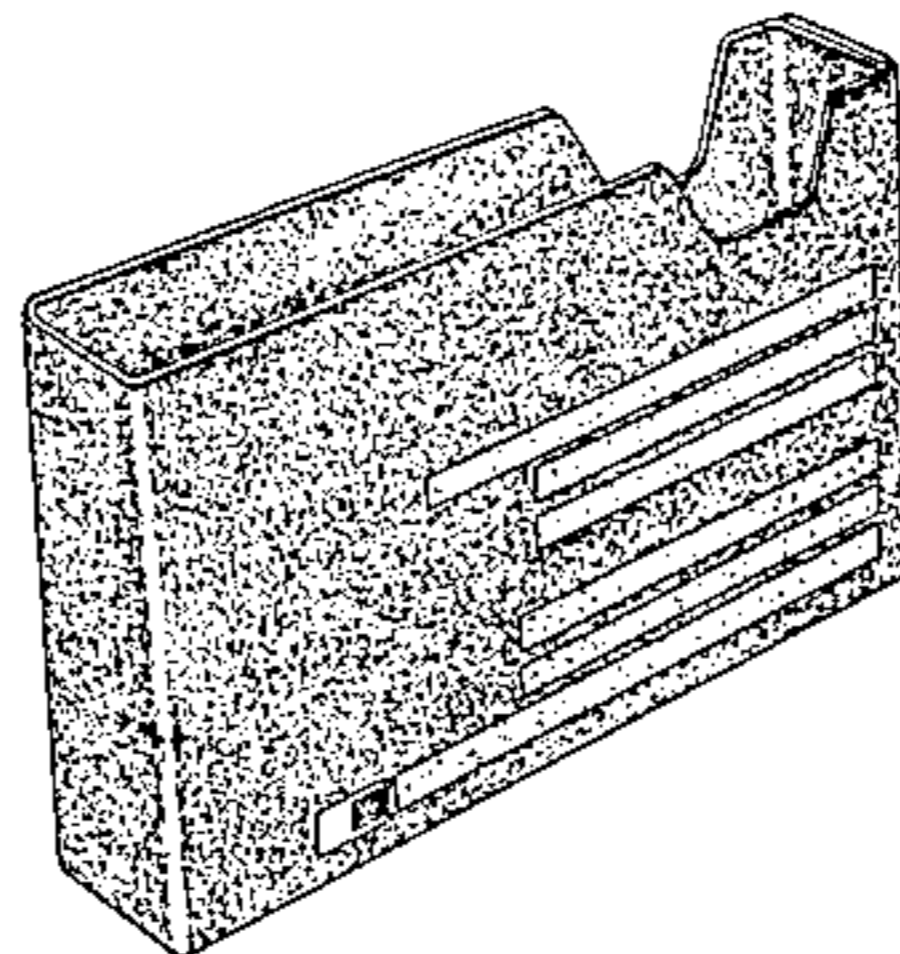


FIG 1

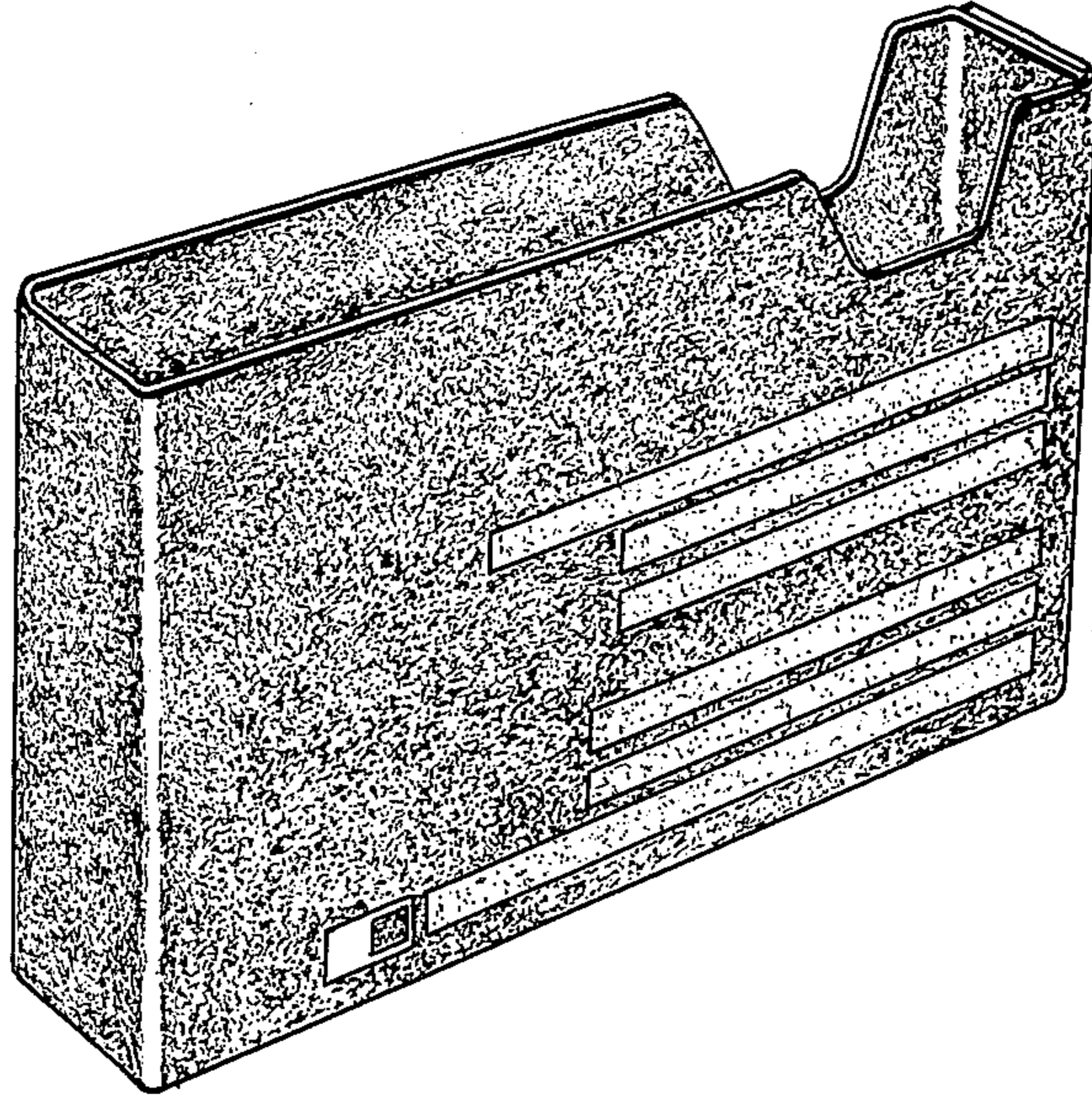


FIG 2

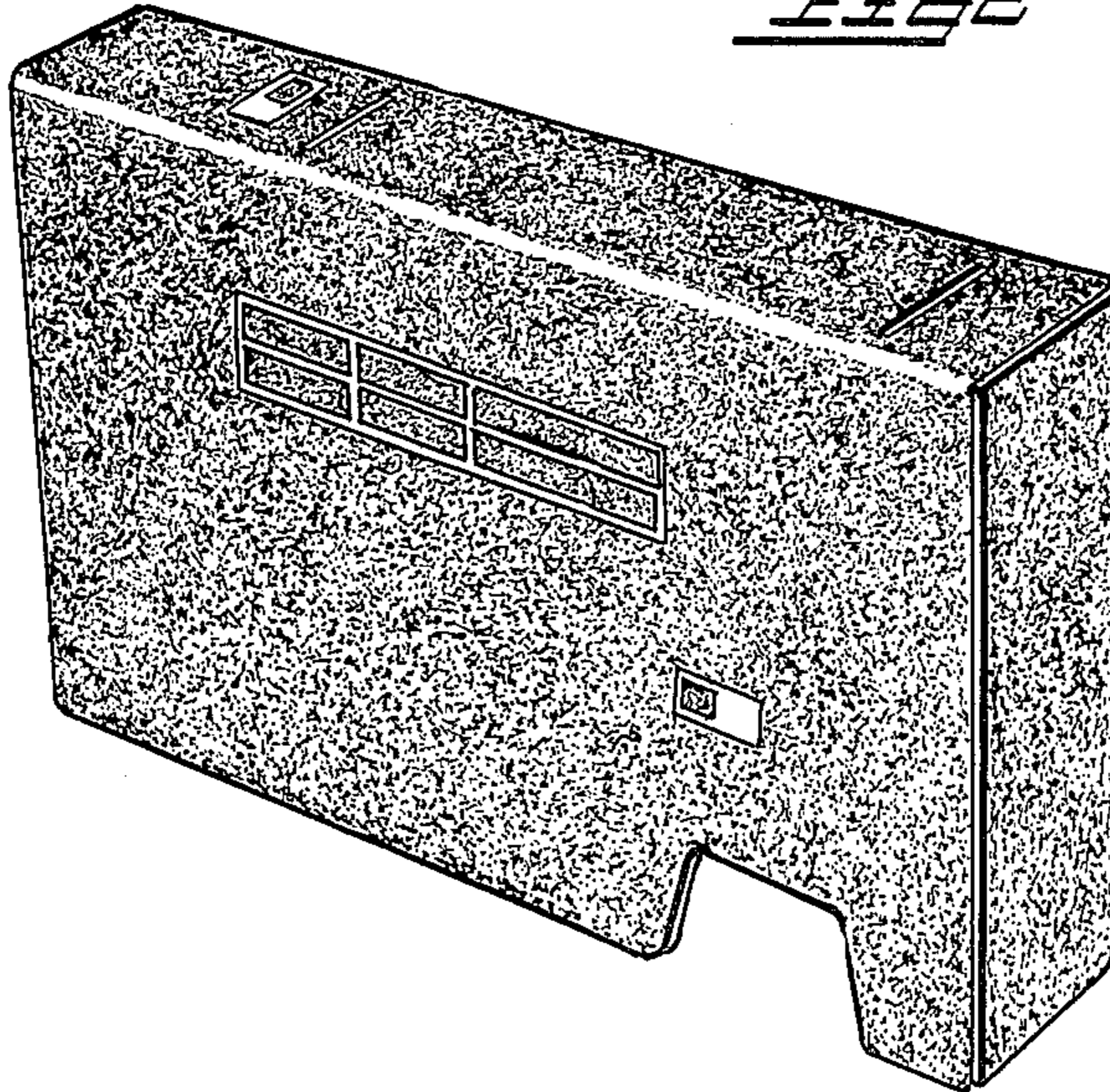


FIG 3.

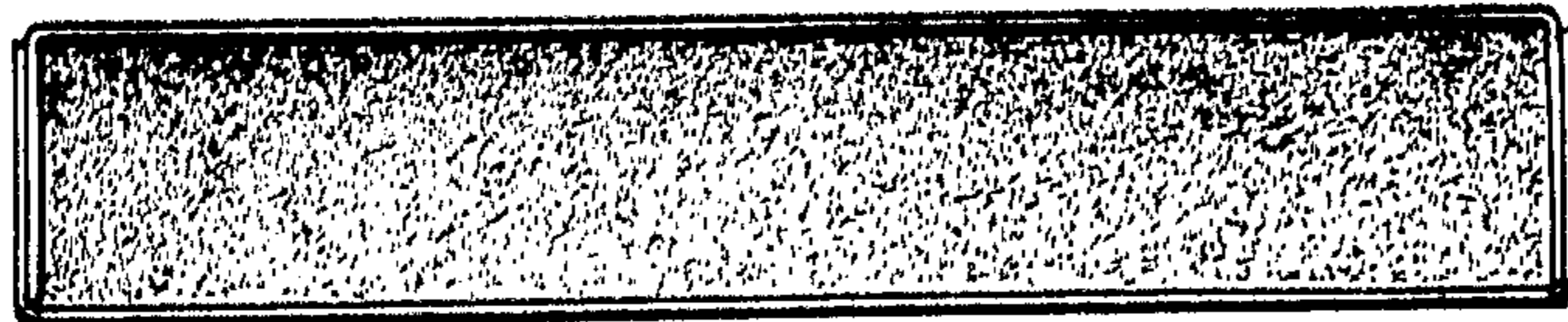


FIG 4.

