

# United States Patent [19]

Petterson

[11] Patent Number: **Des. 275,643**

[45] Date of Patent: **\*\* Sep. 25, 1984**

[54] **FOOD STEAMER**

[76] Inventor: **Sven O. D. Petterson,**  
Hyddmarksgatan 4, S-591 70 Motala,  
Sweden

[\*\*] Term: **14 Years**

[21] Appl. No.: **370,852**

[22] Filed: **Apr. 22, 1982**

[52] U.S. Cl. .... **D7/355; D7/356;**  
**D7/361**

[58] Field of Search ..... **D7/355, 354, 323, 361,**  
**D7/360, 77, 76**

[56] **References Cited**

**U.S. PATENT DOCUMENTS**

- D. 146,832 5/1947 O'Connell ..... D7/355
- D. 168,905 2/1953 O'Connell ..... D7/355
- D. 207,861 6/1967 Felske ..... D7/360

- D. 250,626 12/1978 Scott ..... D7/360
- 3,361,126 1/1968 Bloomfield ..... D7/355 X
- 4,106,486 8/1978 Lee ..... D7/356 X
- 4,162,029 7/1979 Gottsegen ..... D7/77 X

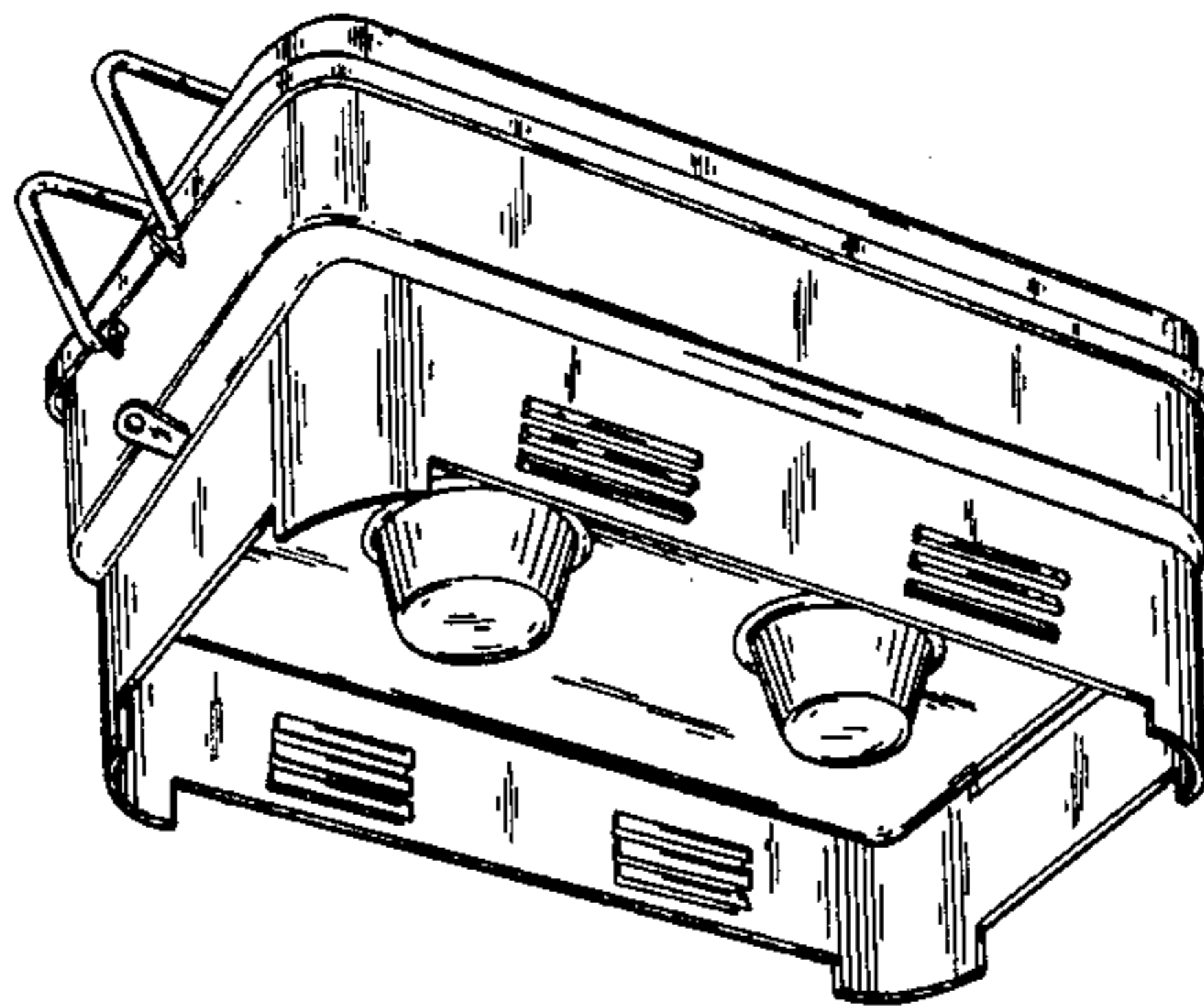
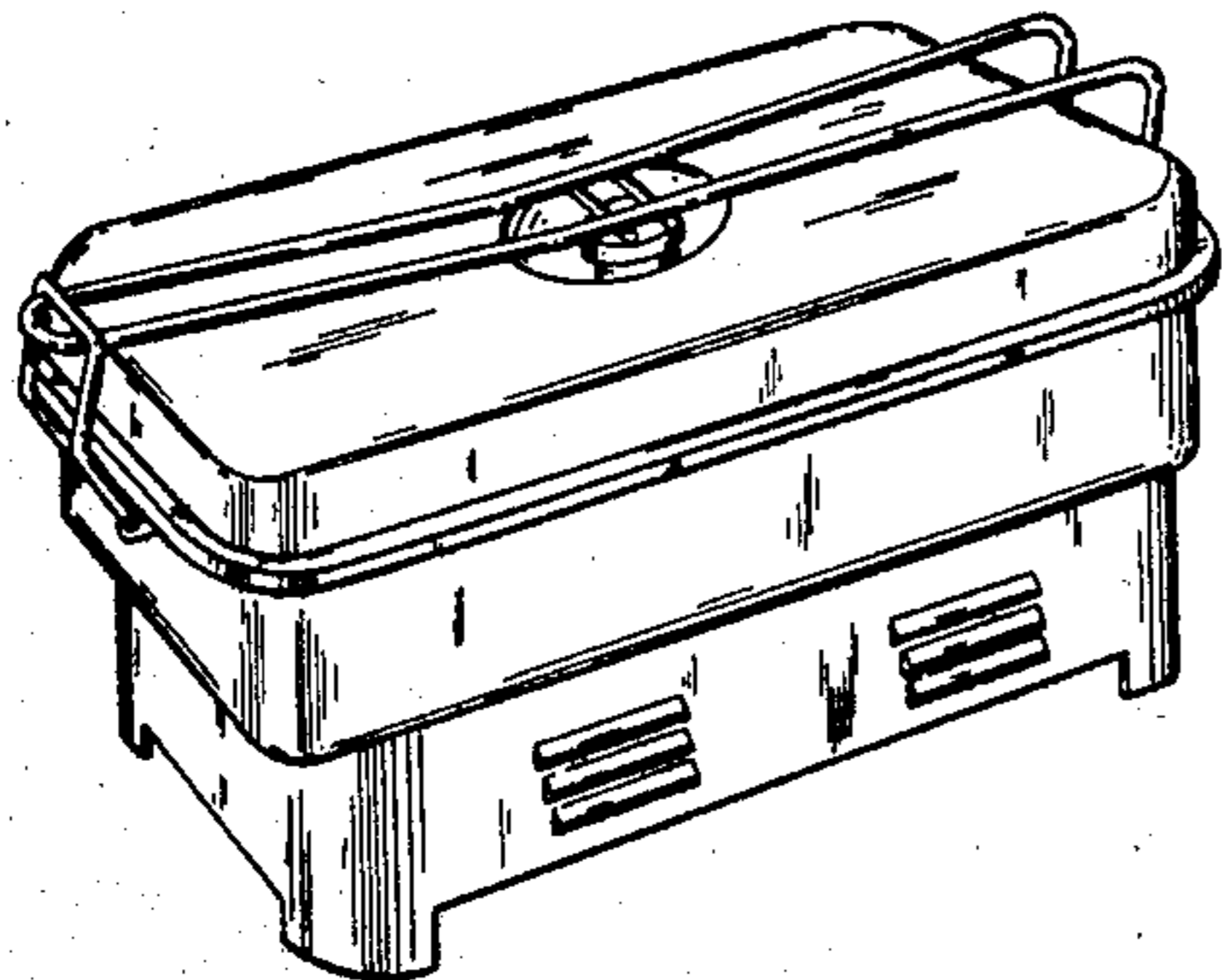
*Primary Examiner*—Winifred E. Herrmann  
*Attorney, Agent, or Firm*—Laff, Whitesel, Conte & Saret

[57] **CLAIM**

The ornamental design for a food steamer, as shown and described.

**DESCRIPTION**

FIG. 1 is a top, front and left side perspective view of a food steamer showing my new design;  
FIG. 2 is a top, rear and left side perspective thereof;  
and,  
FIG. 3 is a bottom, rear and right side perspective view thereof.  
A bottom perspective view from the front would be a mirror image of that shown in FIG. 3.



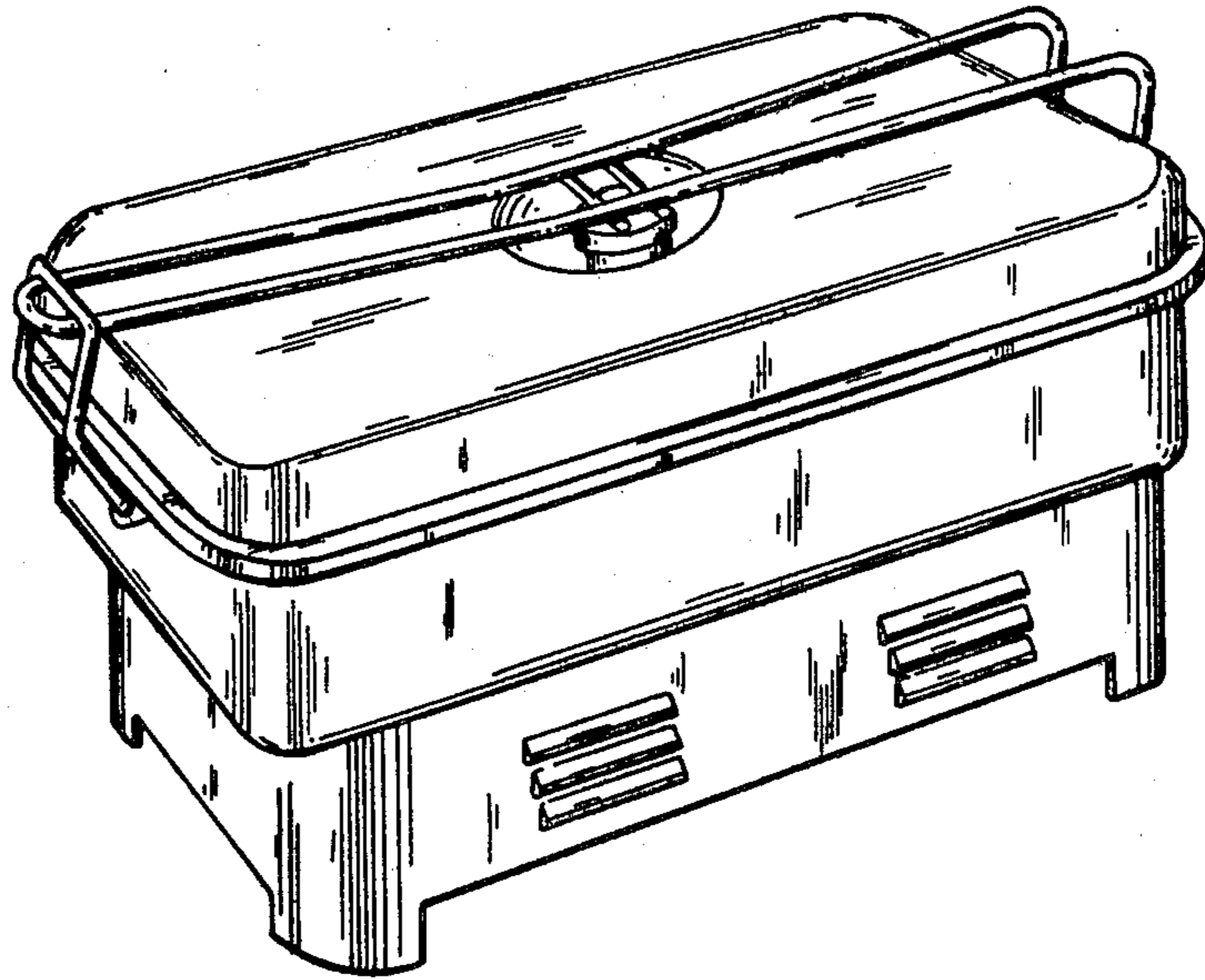


FIG. 1

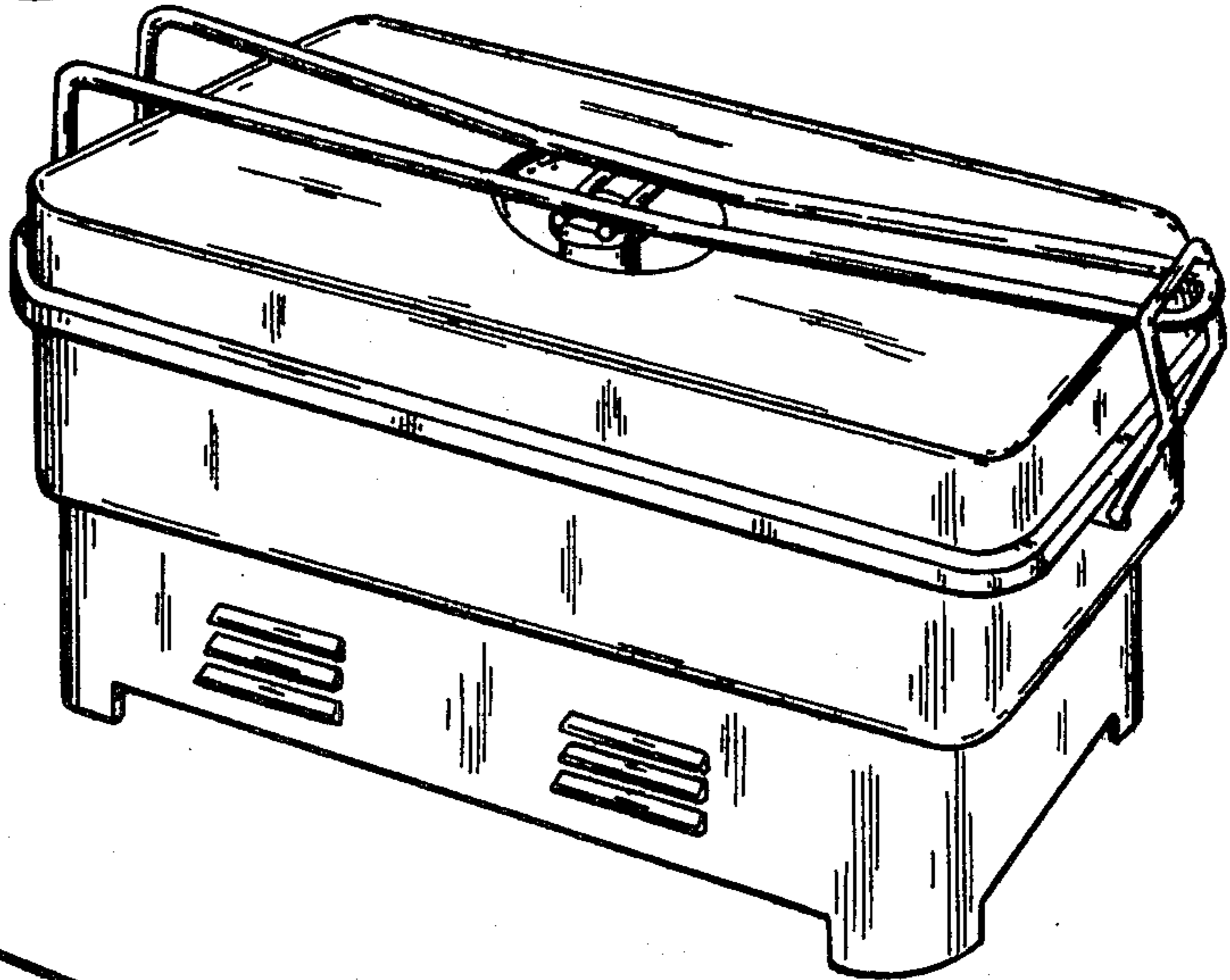


FIG. 2

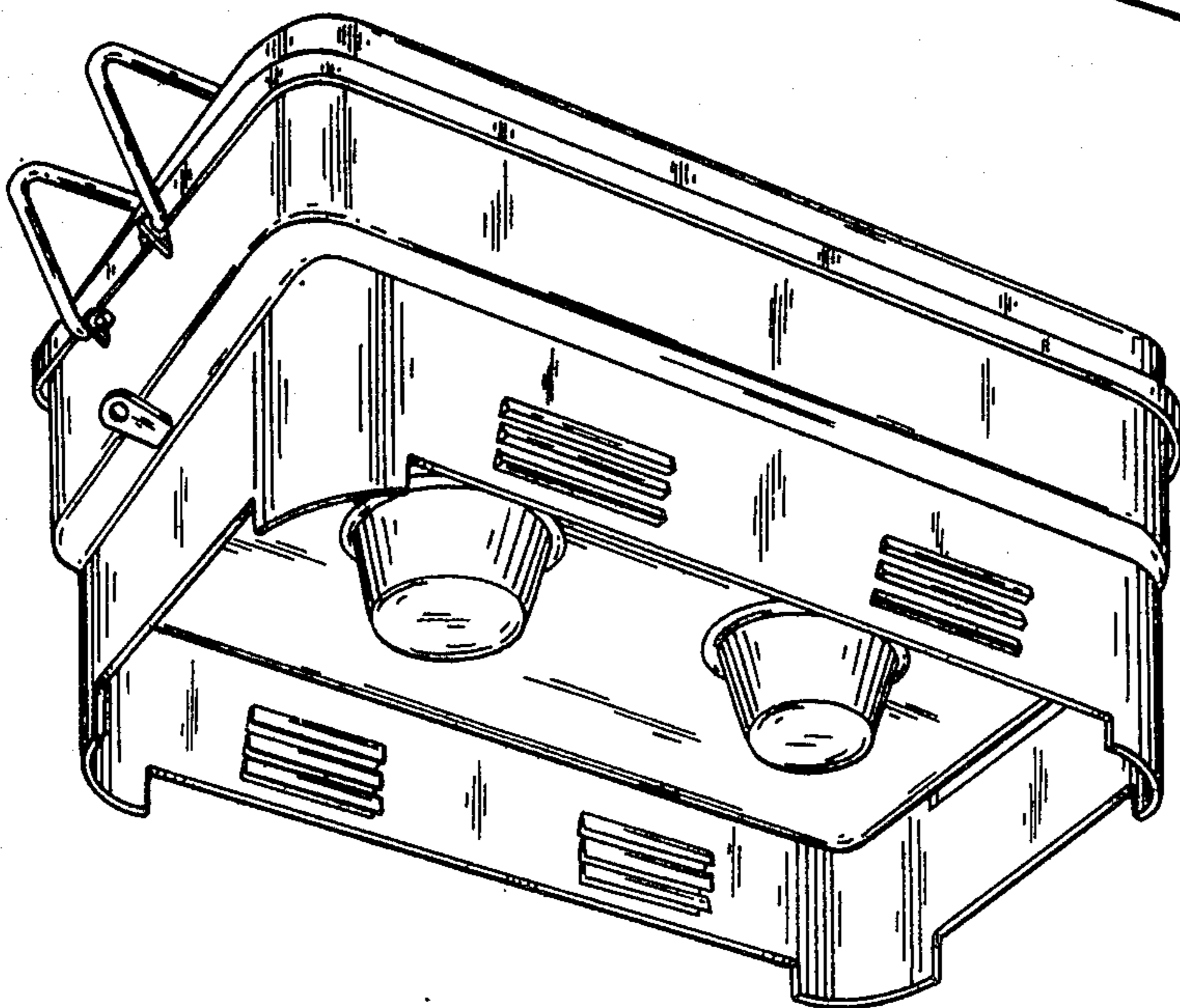


FIG. 3