

[54] **MICROWAVE OVEN**

[75] **Inventors: Masamichi Yamamura, Osaka; Toshio Harada, Nara, both of Japan**

[73] **Assignee: Matsushita Electric Industrial Co., Ltd., Osaka, Japan**

[\*\*] **Term: 14 Years**

[21] **Appl. No.: 404,186**

[22] **Filed: Aug. 2, 1982**

[30] **Foreign Application Priority Data**

Feb. 19, 1982 [JP] Japan ..... 57-7127

[52] **U.S. Cl. .... D7/351**

[58] **Field of Search ..... D7/351; 219/10.55 R, 219/10.55 B**

[56] **References Cited**

**U.S. PATENT DOCUMENTS**

- D. 248,607 7/1978 Yamamura et al. .... D7/351
- D. 249,996 10/1978 Suganoya et al. .... D7/351
- D. 259,761 7/1981 Yamamura et al. .... D7/351

- D. 266,641 10/1982 Yamamura et al. .... D7/351
- D. 268,080 3/1983 Haruguchi et al. .... D7/351

**OTHER PUBLICATIONS**

Sears Spring/Summer Catalog 1979, p. 943, Item #6-Microwave-Model 22A9989 1N.

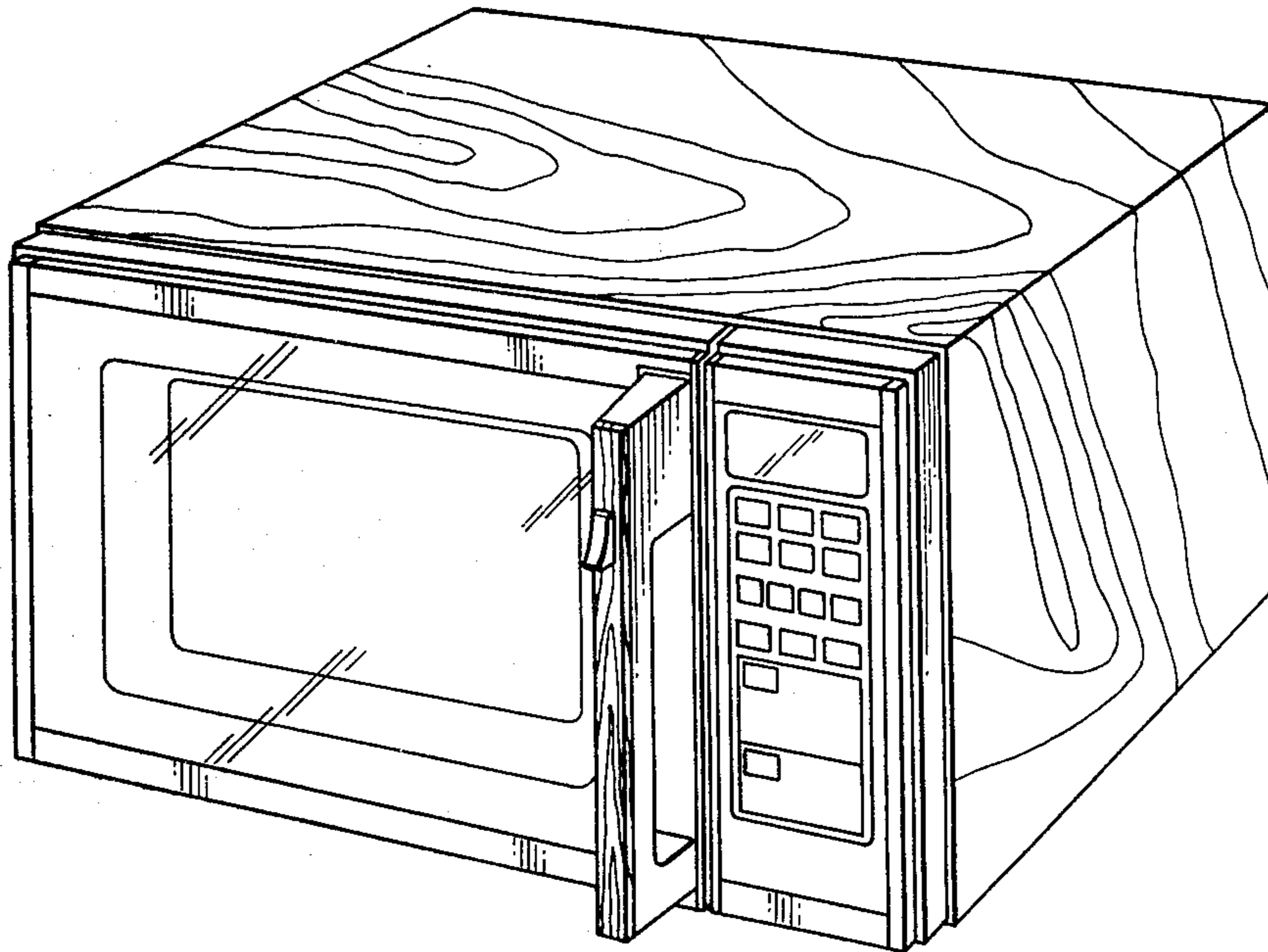
*Primary Examiner*—Wallace R. Burke  
*Assistant Examiner*—Lynn Wilder  
*Attorney, Agent, or Firm*—Sughrue, Mion, Zinn, Macpeak and Seas

[57] **CLAIM**

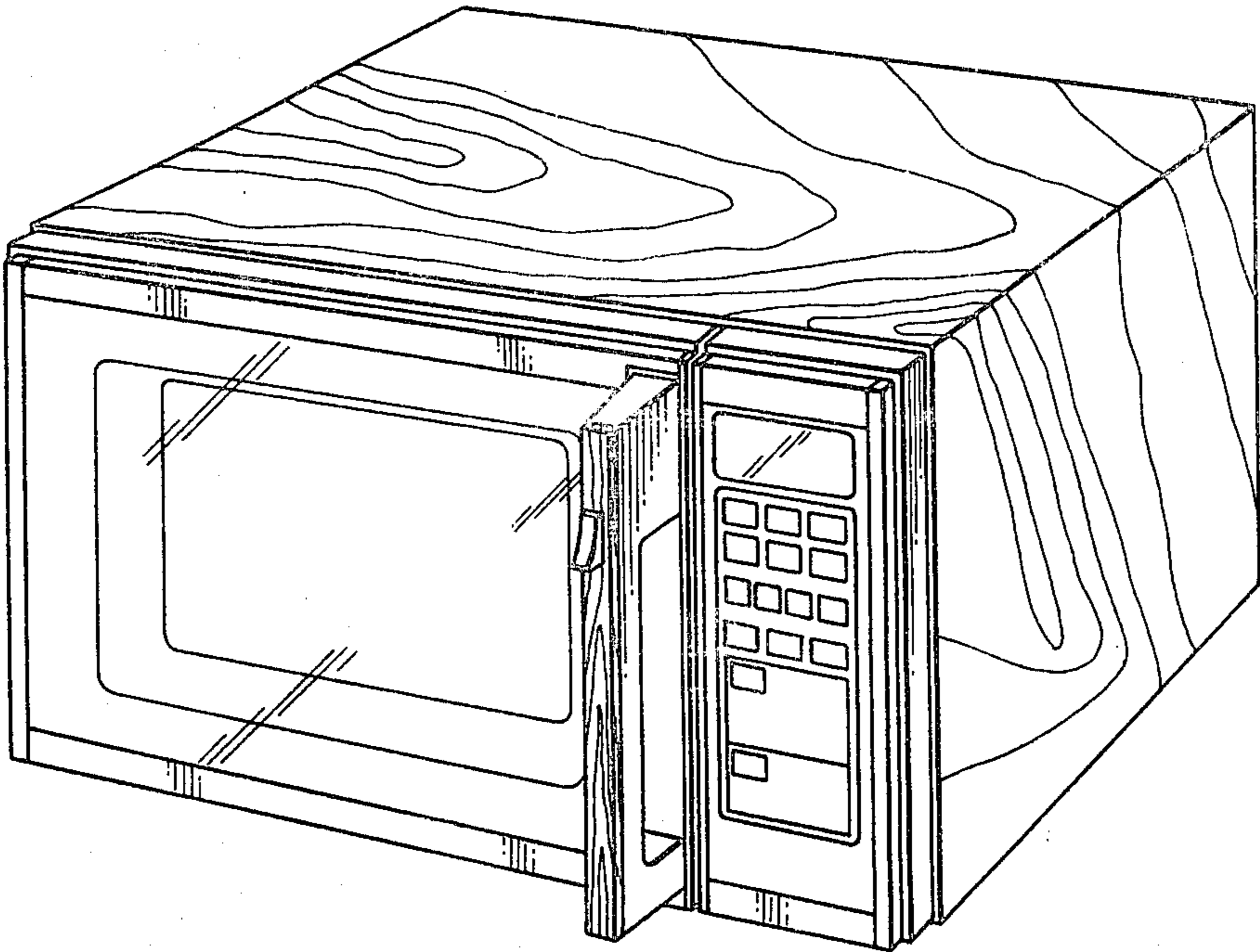
The ornamental design for a microwave oven, as shown and described.

**DESCRIPTION**

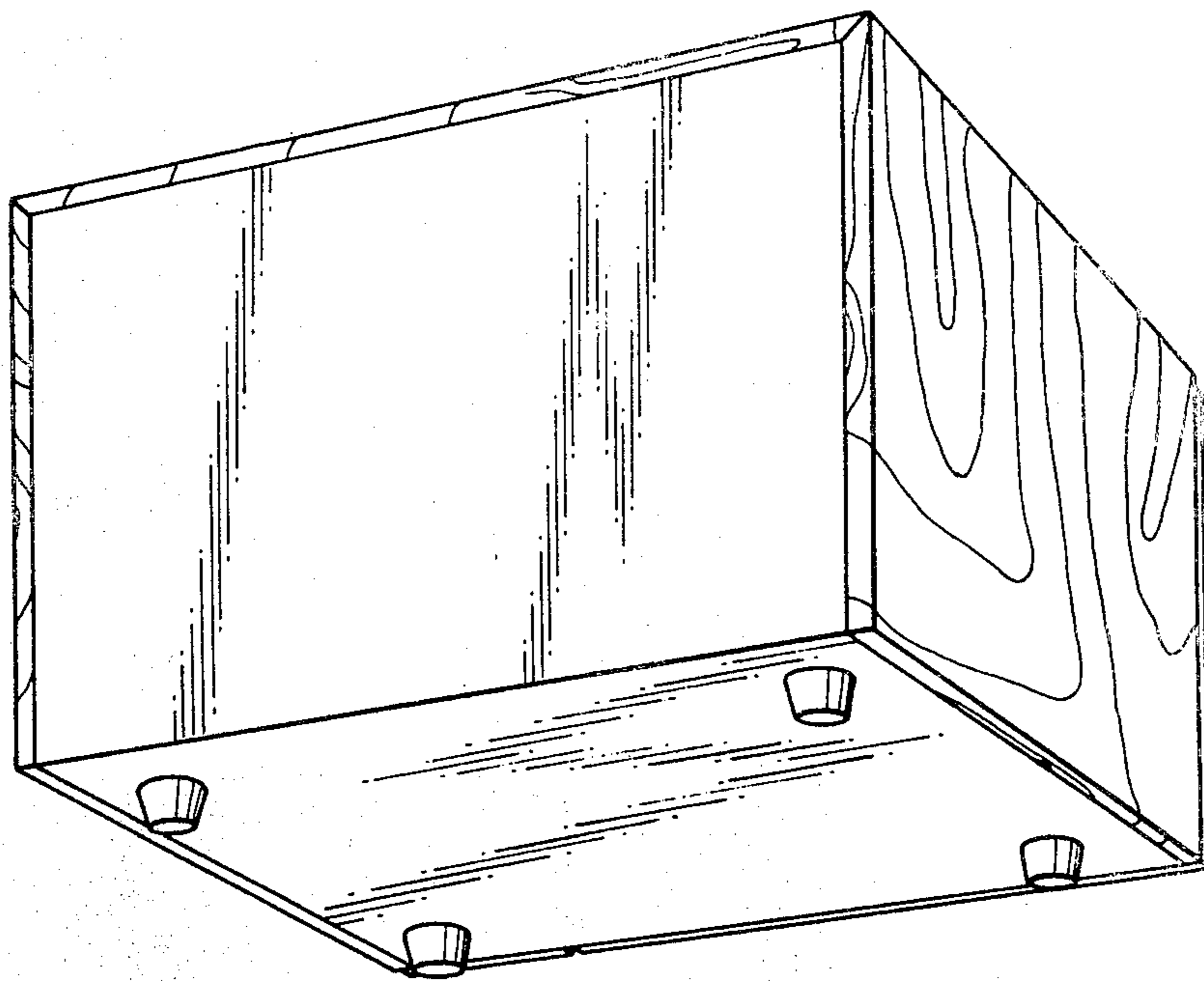
FIG. 1 is a front, top and right side perspective view of a microwave oven showing our new design; FIG. 2 is a rear, bottom and left side perspective view thereof; FIG. 3 is a top plan view thereof; and FIG. 4 is a right side elevational view thereof, the left side being a mirror image.



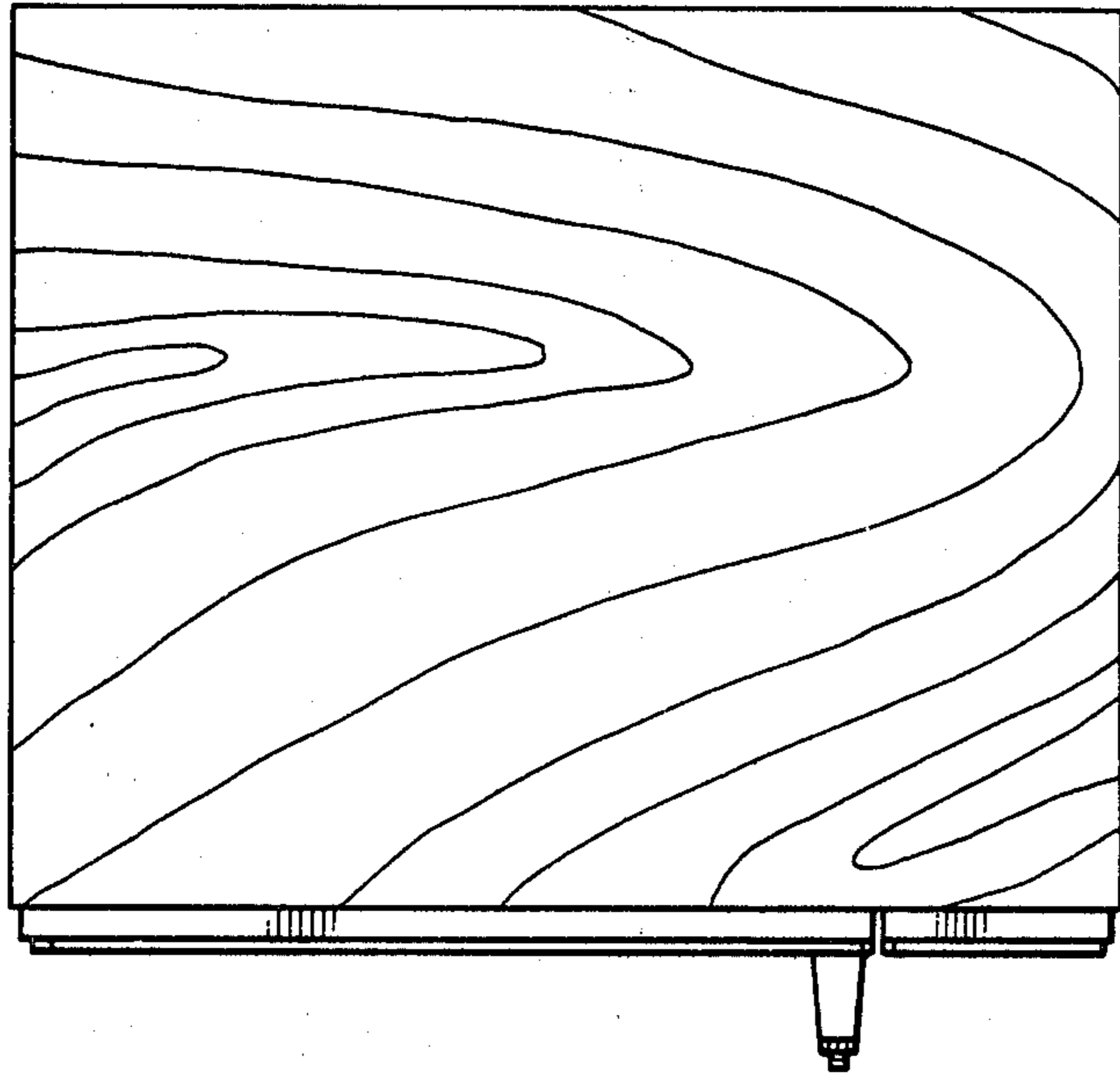
*Fig. 1*



*Fig. 2*



*Fig. 3*



*Fig. 4*

