

[54] ADJUSTABLE SELF-SUPPORTING SPIT FOR ROASTING

[76] Inventor: Murray E. Kramer, 321 Harper Ave., Watervliet, Mich. 49098

[**] Term: 14 Years

[21] Appl. No.: 372,363

[22] Filed: Apr. 27, 1982

[52] U.S. Cl. D7/106; D7/103; D7/152

[58] Field of Search D7/99, 106, 103, 152; D30/322, 323

[56] References Cited

U.S. PATENT DOCUMENTS

D. 132,857	6/1942	Linenfelser	D7/106
D. 171,539	2/1954	Goodsell	D7/106
D. 218,190	7/1970	Demetreon	D7/103
D. 224,037	6/1972	Demetreon	D7/103
2,697,627	12/1954	Fond	30/322 X
3,016,608	1/1962	Myers	D7/106 X
3,760,501	9/1973	Johnston	30/322

Primary Examiner—Winifred E. Herrmann
Attorney, Agent, or Firm—Flynn, Thiel, Boutell & Tanis

[57] CLAIM

The ornamental design for an adjustable self-supporting spit for roasting, as shown and described.

DESCRIPTION

FIG. 1 is a perspective view taken from the rear and one side of an adjustable self-supporting spit for roasting

showing my new design with the fork in fully retracted position;

FIG. 2 is a perspective view similar to FIG. 1 wherein the legs have been pivoted to a wider angle and wherein the fork has been omitted for convenience of illustration;

FIG. 3 is a view similar to FIG. 1 but with the legs of the base of the fork assembly pivotally adjusted into close spaced substantial parallelism to increase the angle of the fork shaft to the horizontal, and with the fork offset from the fork shaft for convenience in illustration;

FIG. 4 is a top view of the fork assembly as shown in FIG. 1;

FIG. 5 is a rear elevational view of the fork assembly as shown in FIG. 1;

FIG. 6 is a side elevational view taken from the left in FIG. 1;

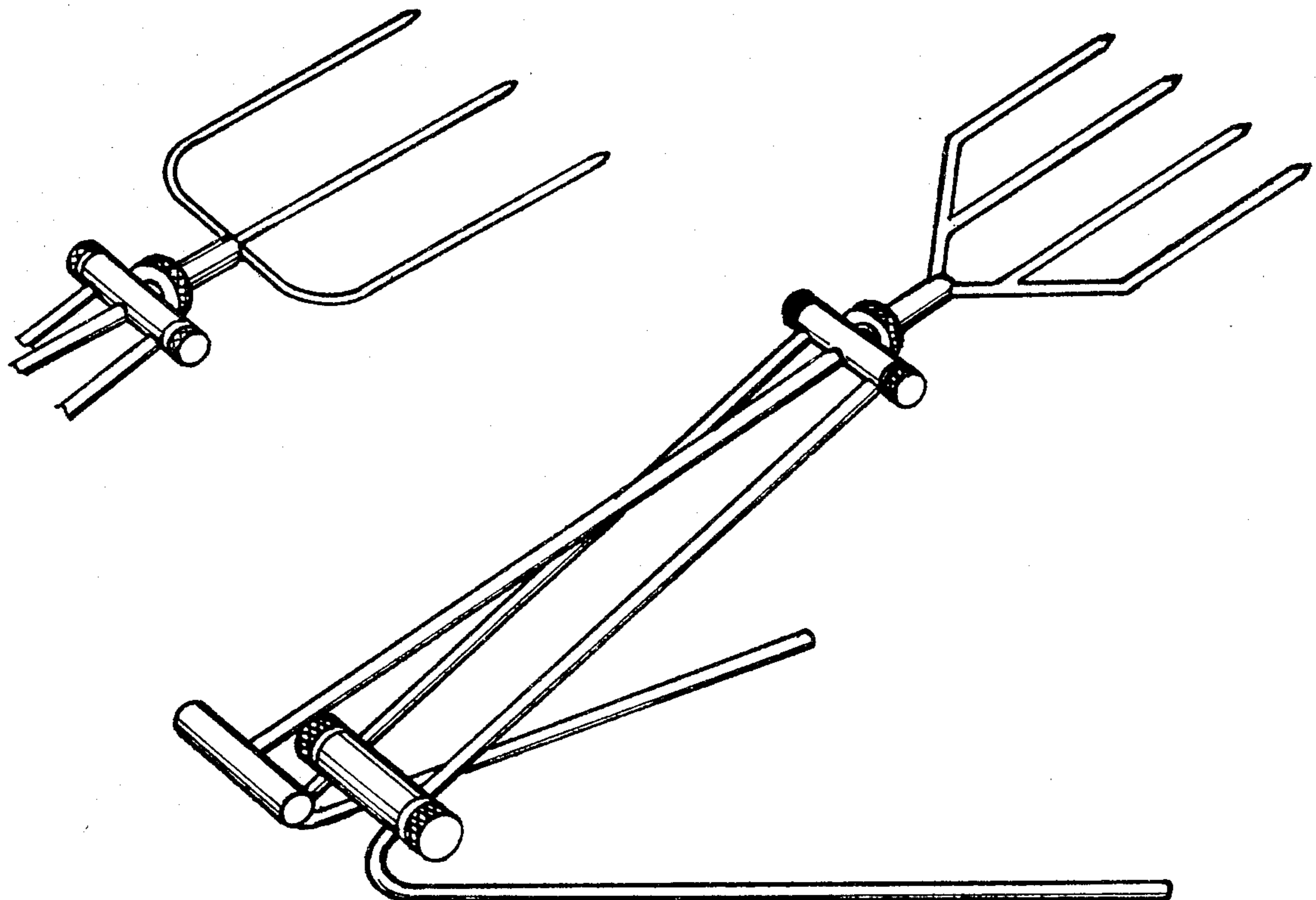
FIG. 7 is a bottom view of the fork assembly as shown in FIG. 1, with the fork removed for convenience in illustration;

FIG. 8 is a front elevational view of the fork assembly as shown in FIG. 1, with the fork removed for convenience in illustration;

FIG. 9 is a perspective view similar to FIG. 1 with the fork in a forwardly extended position;

FIG. 10 is a side elevational view similar to FIG. 6 wherein the fork is extended through ninety degrees about the horizontal; and

FIG. 11 is a fragmentary perspective view of a modified form of the adjustable self-supporting spit for roasting shown in FIG. 1 wherein the fork has a different time configuration.



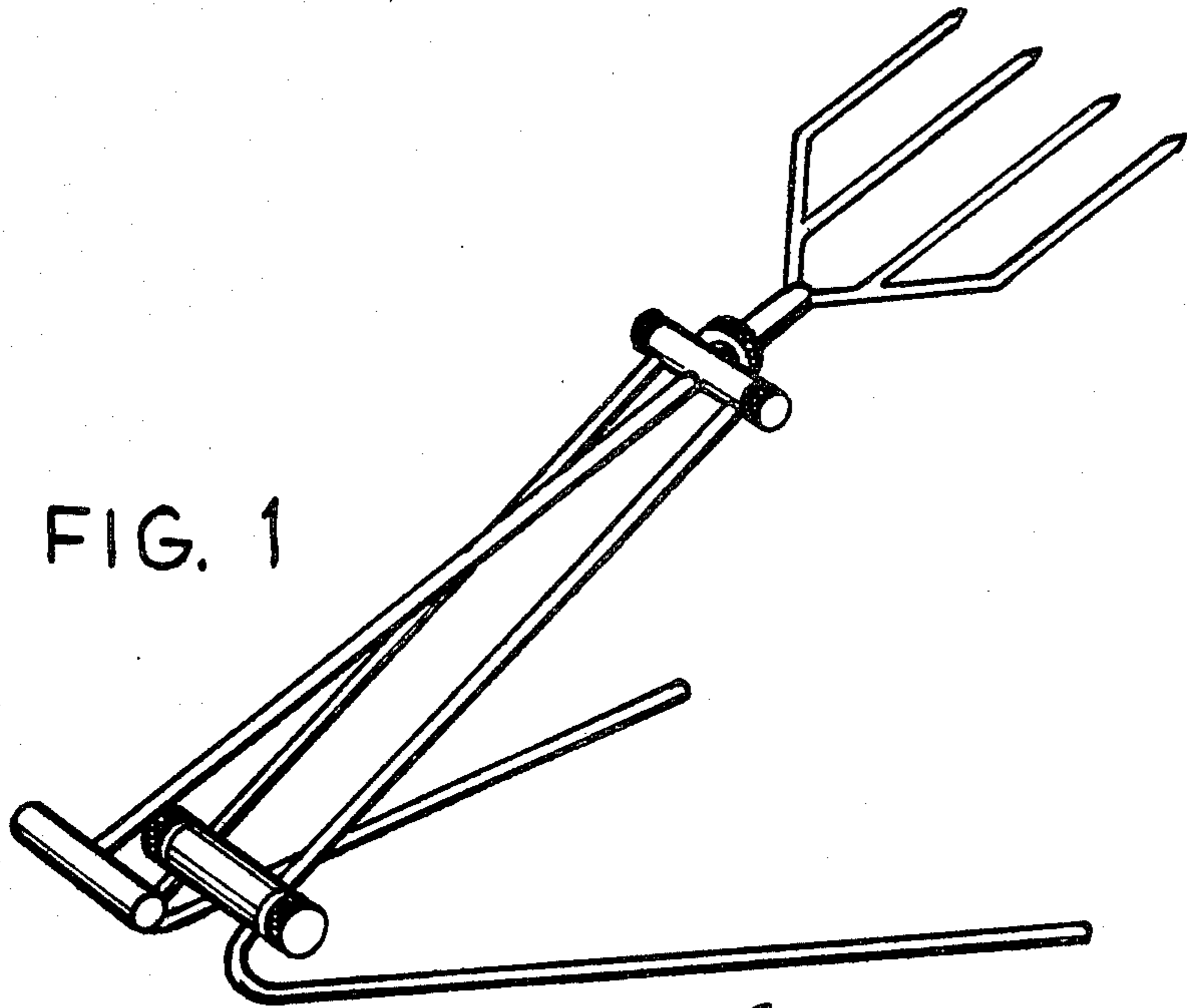


FIG. 1

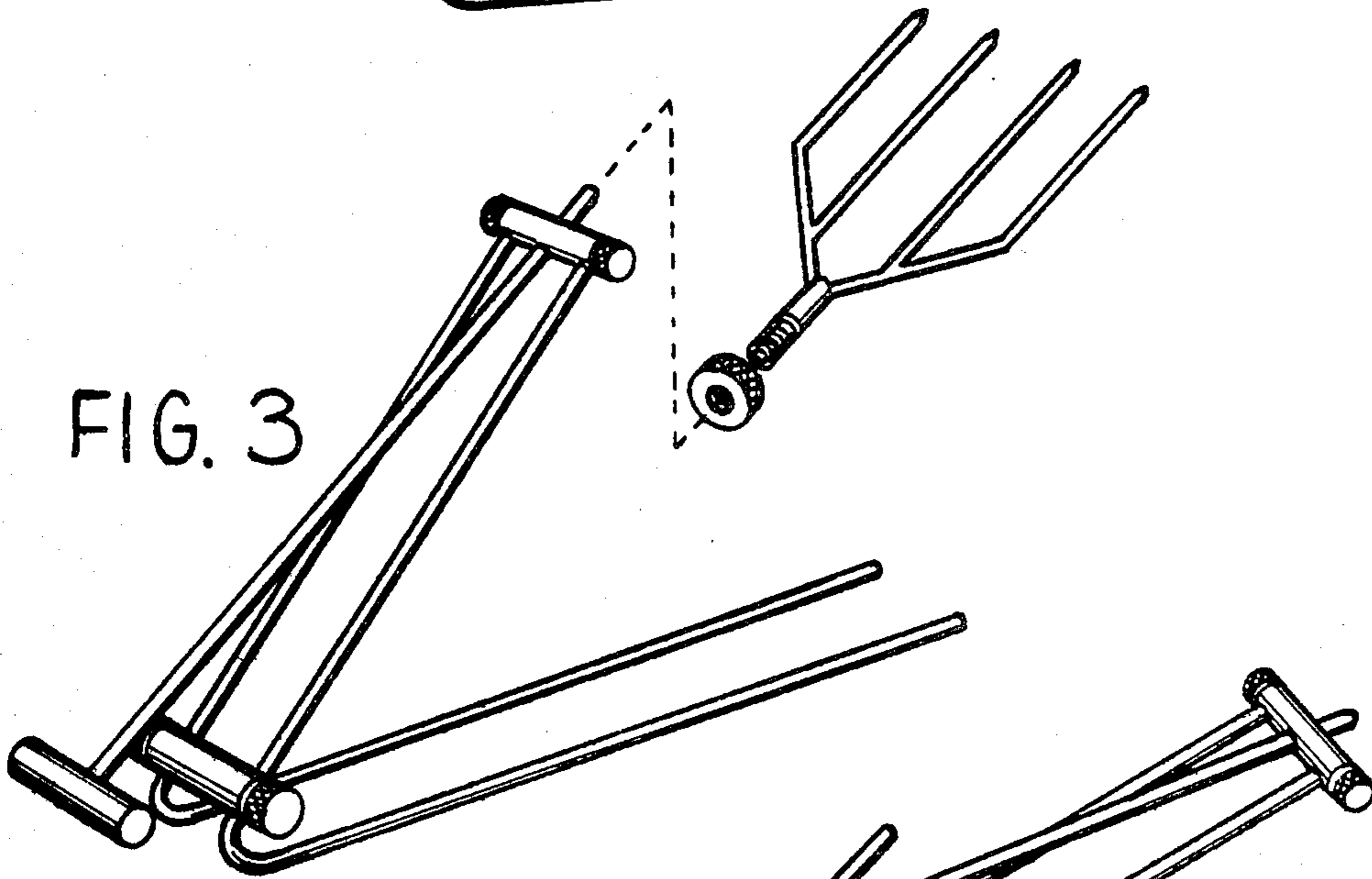


FIG. 3

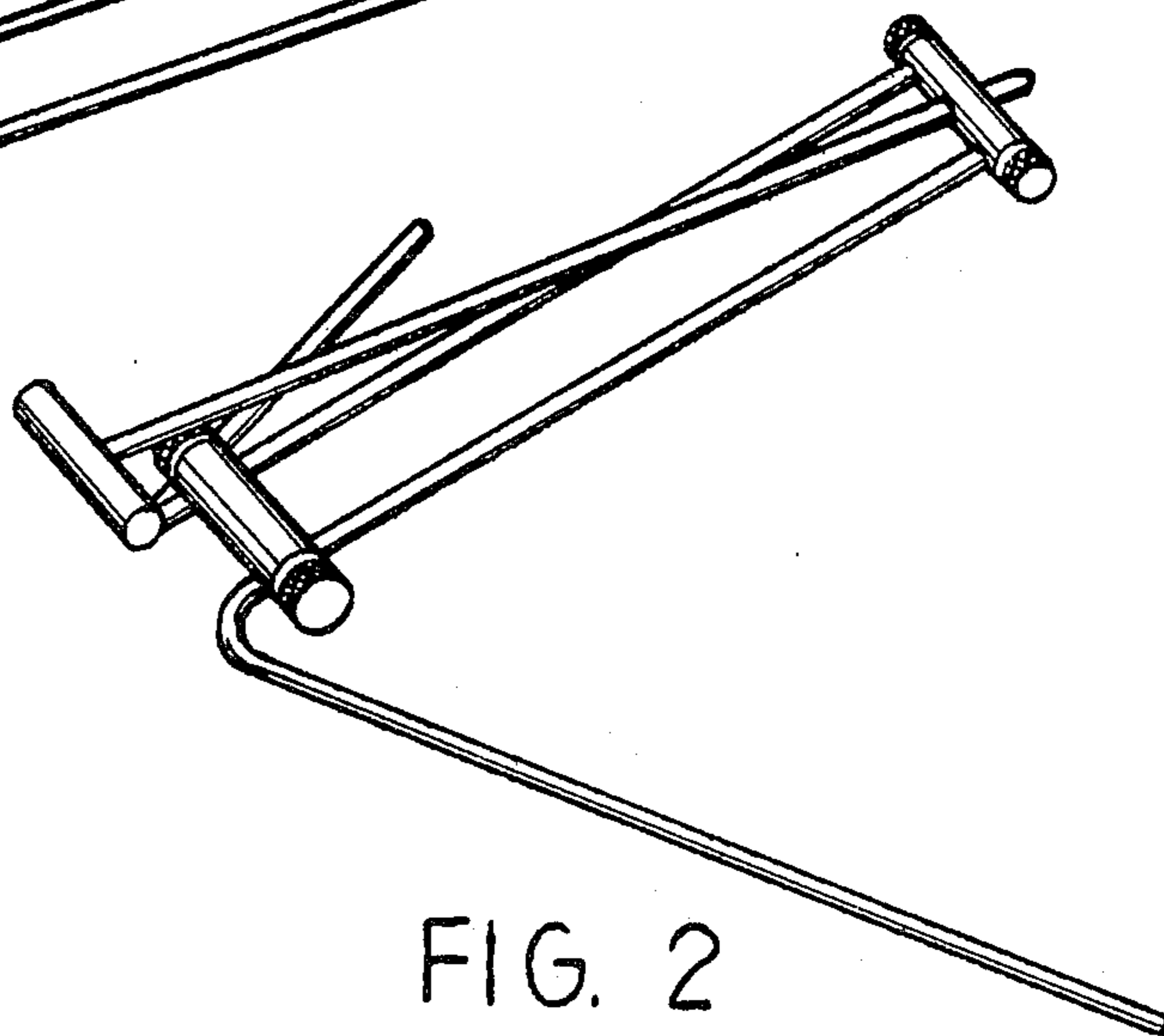


FIG. 2

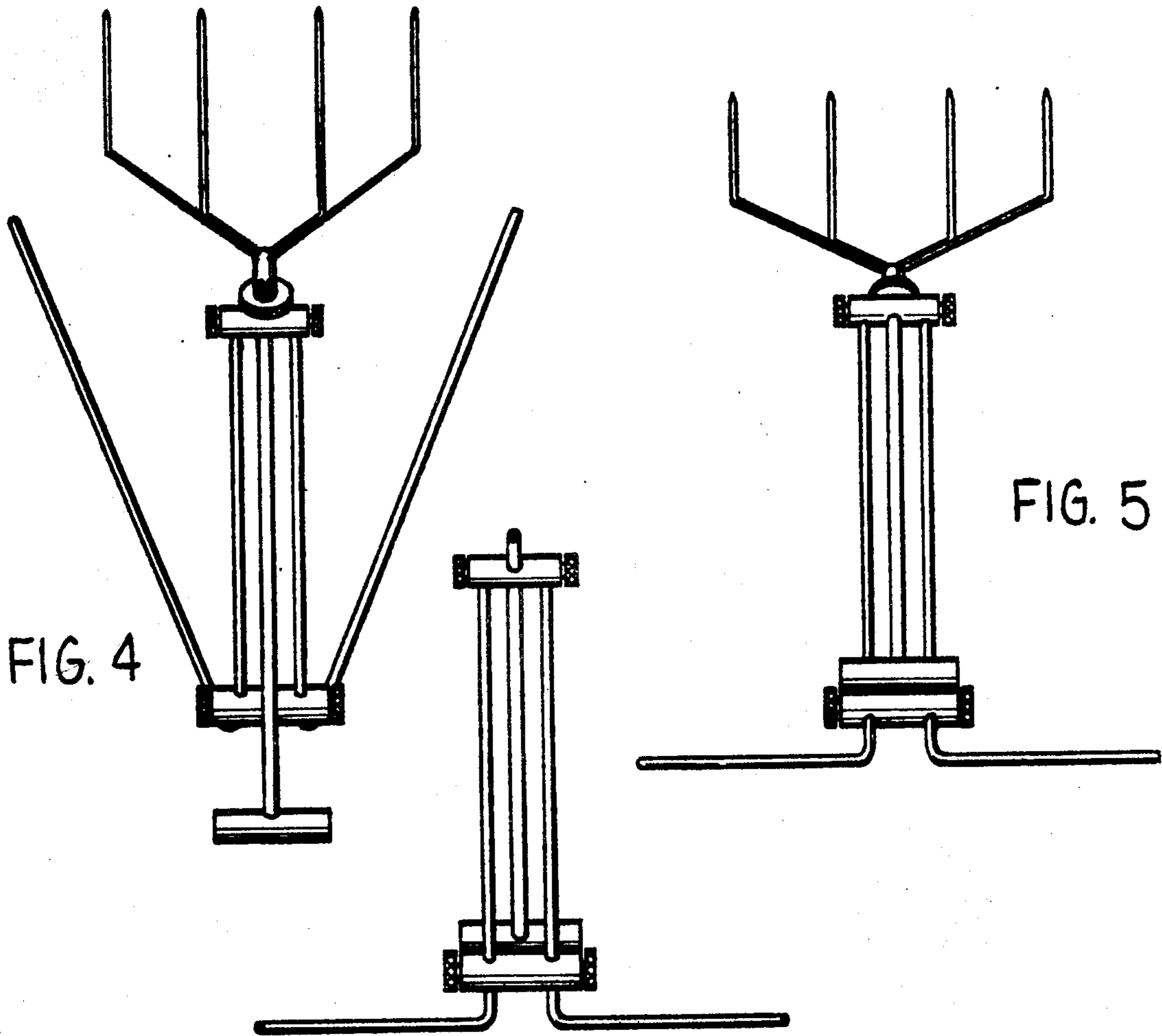


FIG. 4

FIG. 5

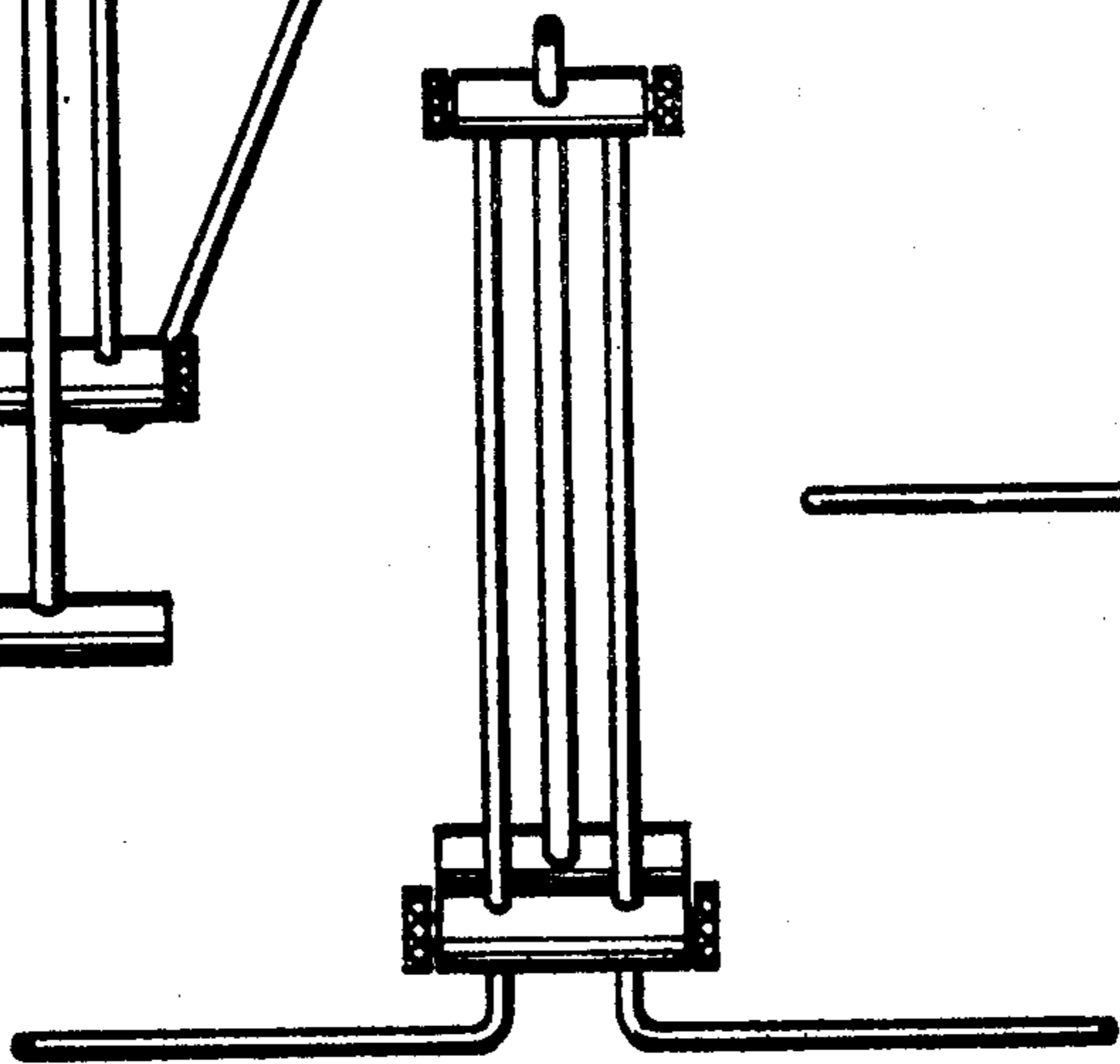


FIG. 8

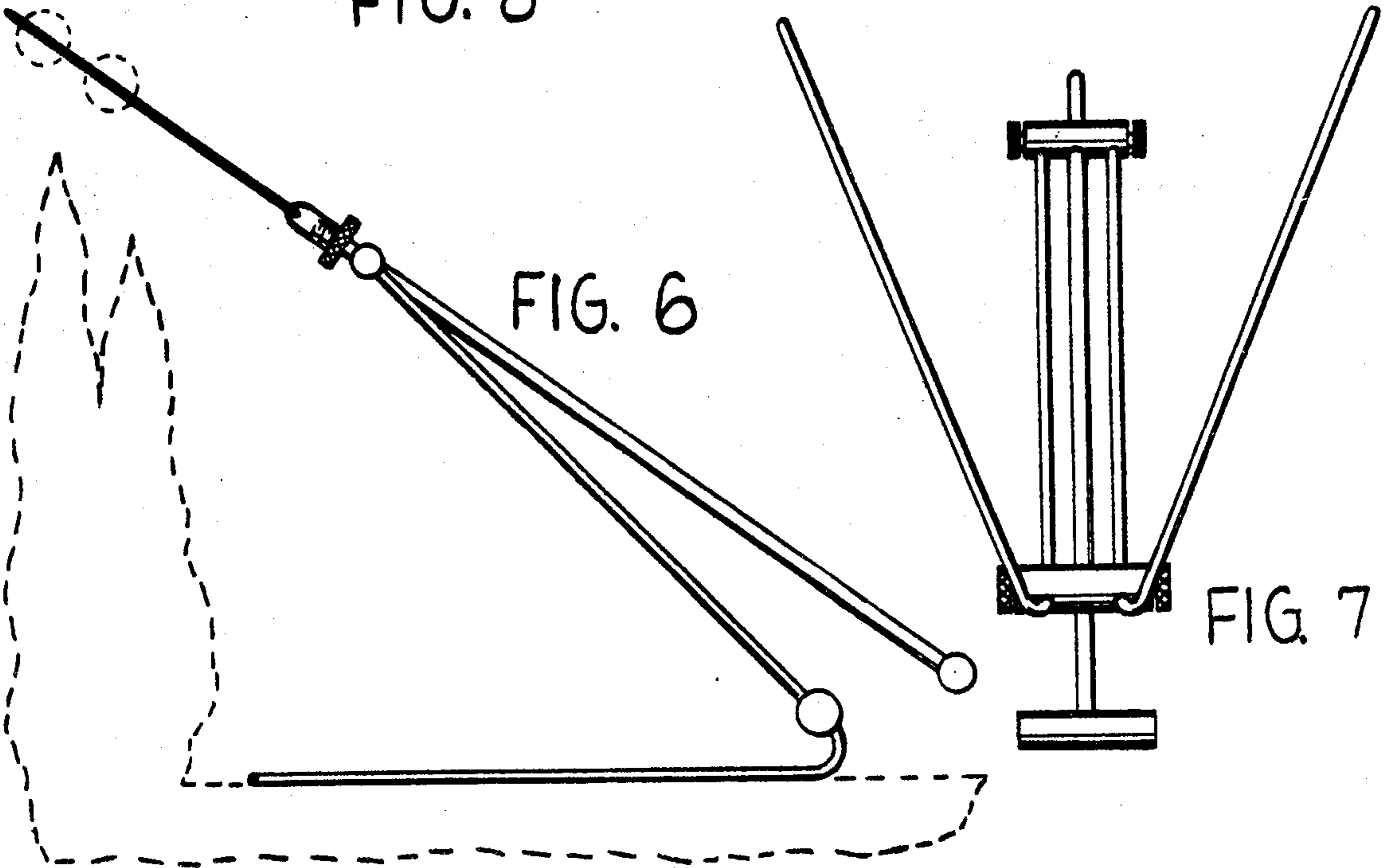


FIG. 6

FIG. 7

