

[54] DISH CLOSURE OR THE LIKE

[75] Inventor: Augusto A. Picozza, Johnston, R.I.  
 [73] Assignee: Dart Industries Inc., Northbrook, Ill.  
 [\*\*] Term: 14 Years  
 [21] Appl. No.: 385,972  
 [22] Filed: Jun. 7, 1982  
 [52] U.S. Cl. .... D7/40  
 [58] Field of Search ..... D7/40, 17, 391, 16,  
 D7/23, 76, 360, 354; D9/435, 454, 444; 220/90

[56] References Cited

U.S. PATENT DOCUMENTS

D. 131,965	4/1942	Poglein .....	D7/17
D. 228,114	8/1973	DeLaRosa .....	D7/17
D. 232,688	9/1974	Aries .	
D. 232,703	9/1974	Konzi .....	D7/40 X
D. 241,399	9/1976	Christian .....	D7/17
D. 256,310	8/1980	Daenen .....	D7/23
D. 266,818	11/1982	Trombly .....	D7/40

OTHER PUBLICATIONS

*Good Housekeeping*, Dec. 1972, p. 140, bottom r. glass stacking dishes, top on dish, Corning.  
 Anchor Hocking 1980 Bulk Catalog-p. 96, item C at left, cover shown.

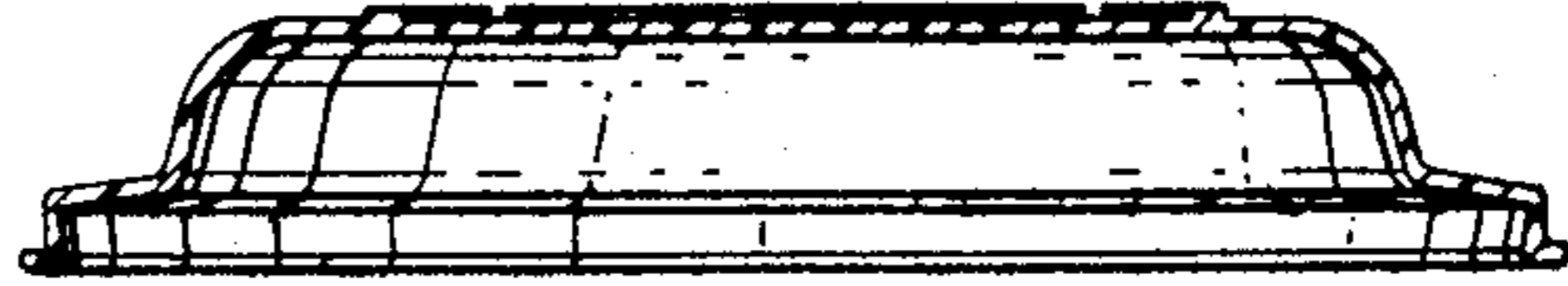
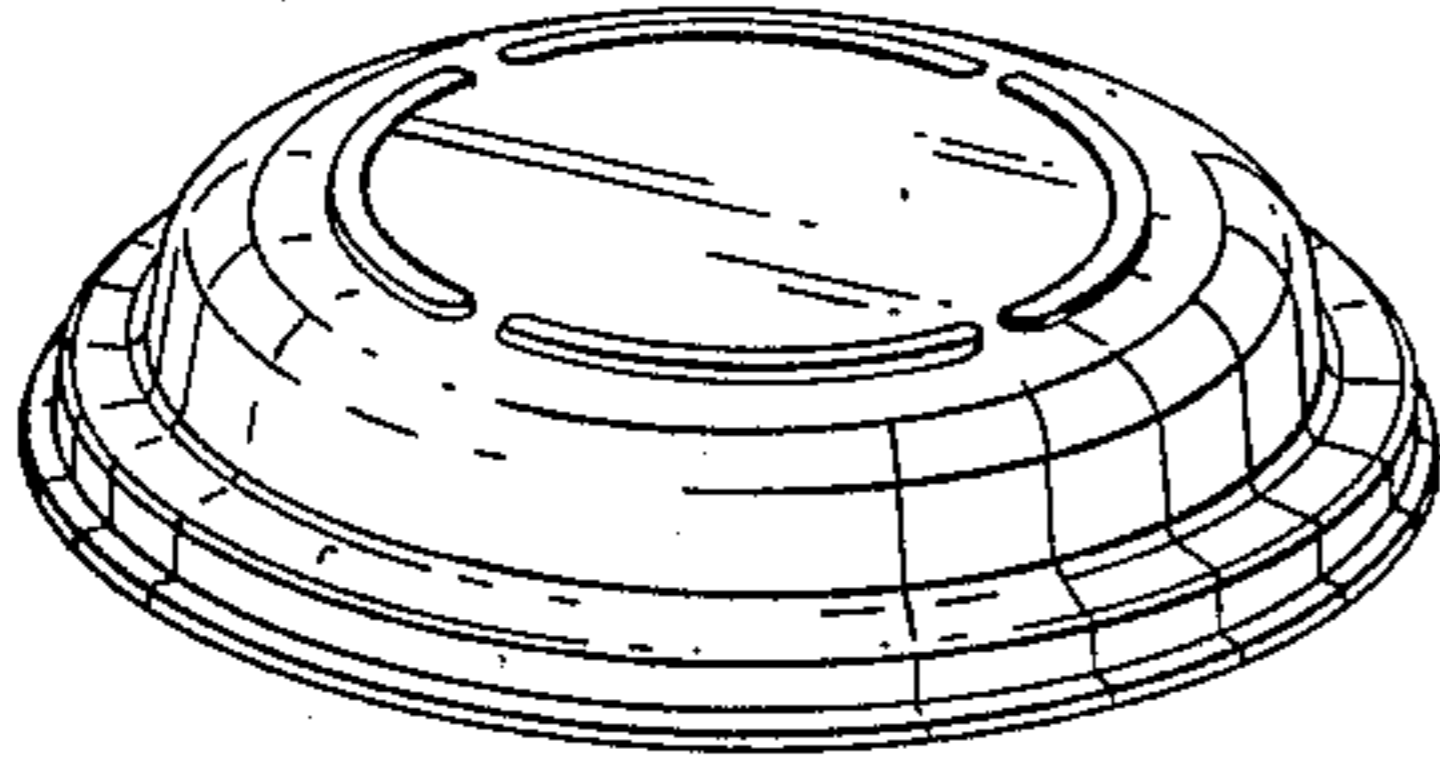
*Primary Examiner*—Winifred E. Herrmann  
*Attorney, Agent, or Firm*—John A. Doninger

[57] CLAIM

The ornamental design for a dish closure or the like, substantially as shown.

DESCRIPTION

FIG. 1 is a top perspective view of a dish closure or the like showing my new design;  
 FIG. 2 is a side elevational view thereof;  
 FIG. 3 is a top plan view thereof; and  
 FIG. 4 is a bottom plan view thereof; and  
 FIG. 5 is a cross-sectional view thereof on an enlarged scale taken along line 5—5 of FIG. 2.



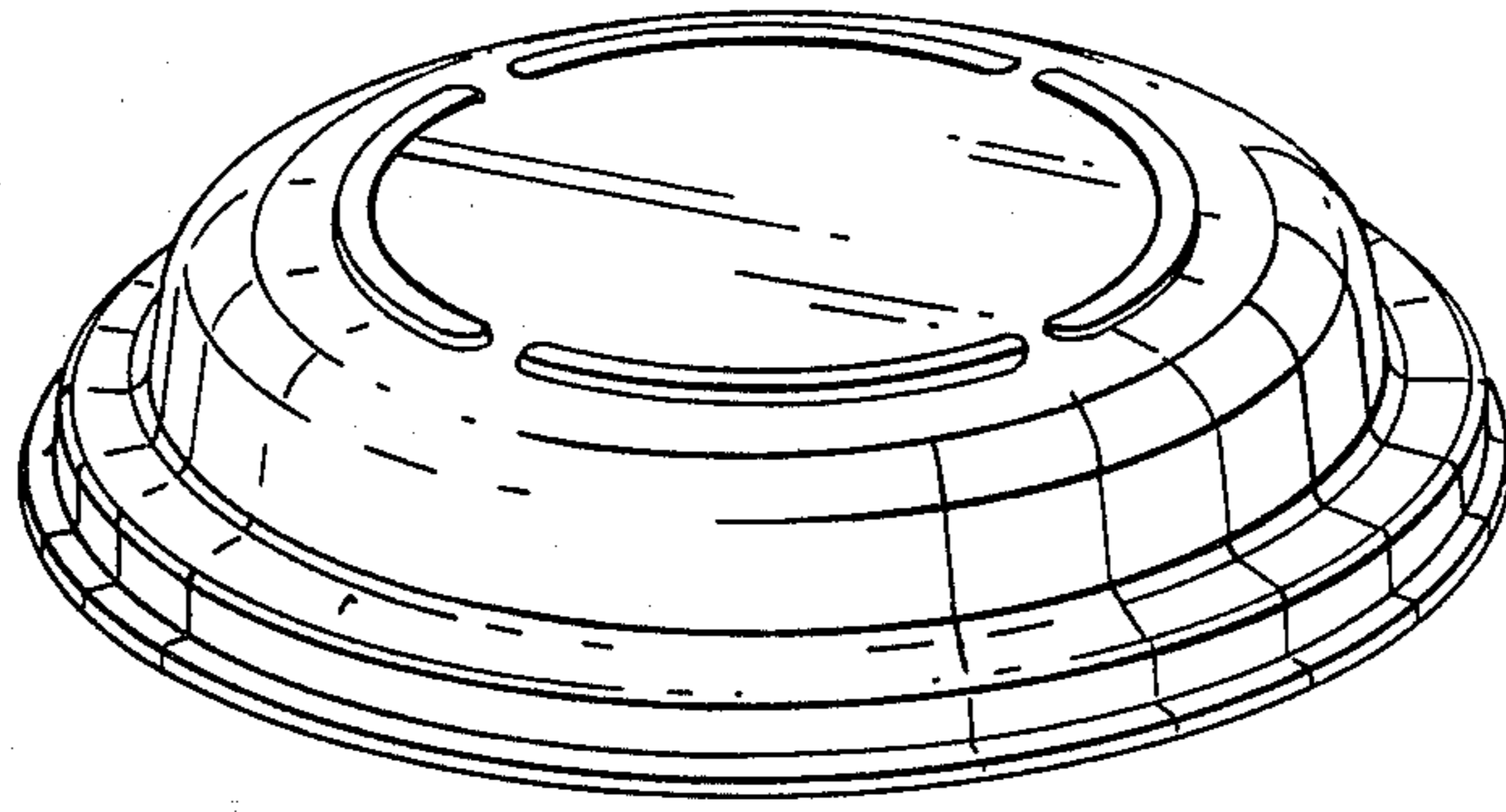


FIG. 1

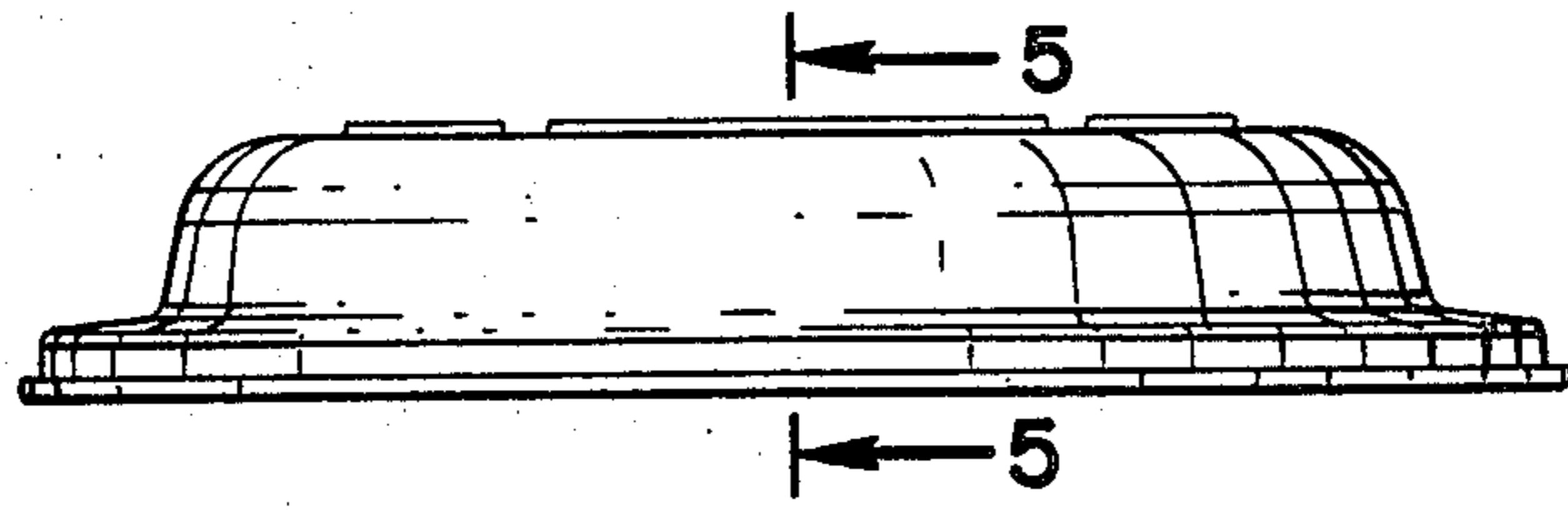


FIG. 2

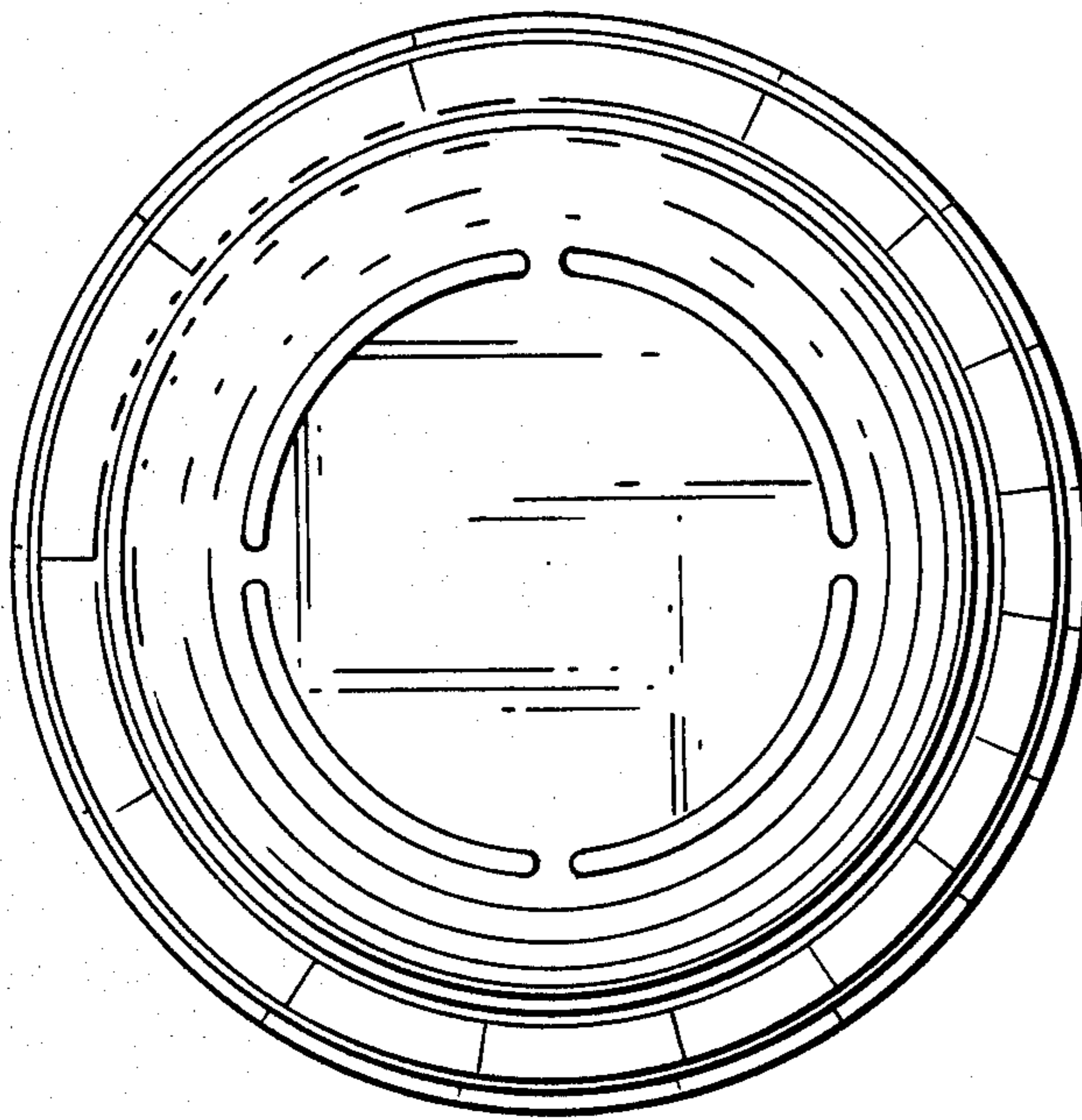


FIG. 3

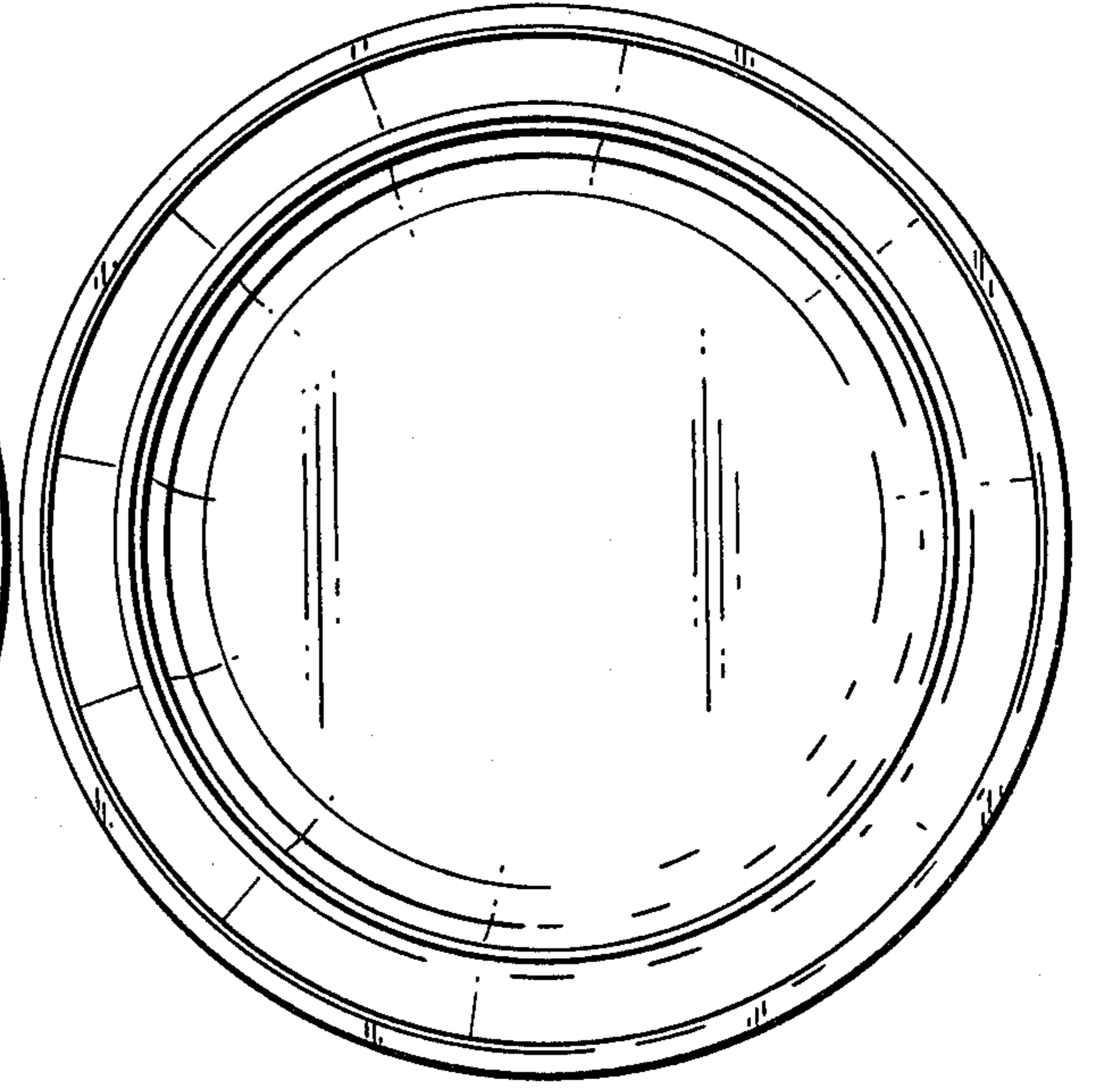


FIG. 4

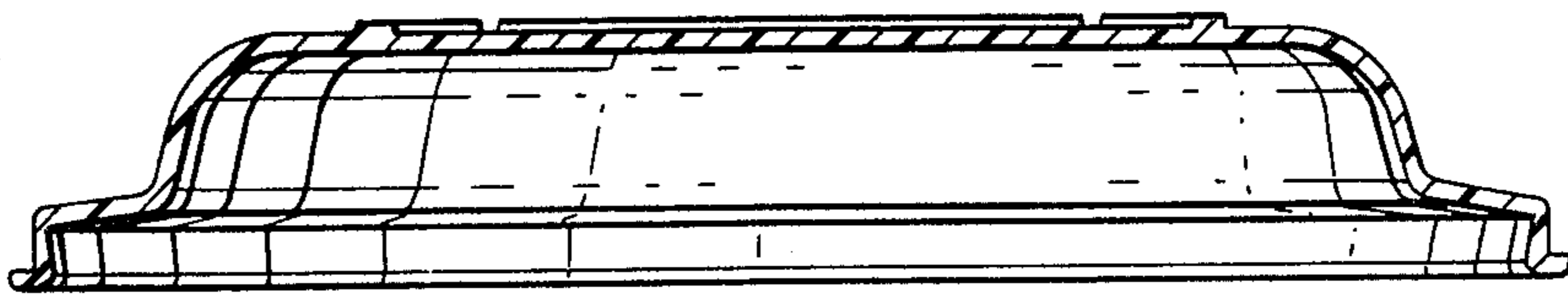


FIG. 5