

[54] **COMBINED SHELF AND STORAGE UNIT**

[75] **Inventor: Yaffa Licari, Elberon, N.J.**

[73] **Assignee: Basic Line, Inc., Cliffwood Beach, N.J.**

[**] **Term: 14 Years**

[21] **Appl. No.: 339,430**

[22] **Filed: Jan. 15, 1982**

[52] **U.S. Cl. D6/573; D6/545; D6/549**

[58] **Field of Search D6/114, 136, 116, 127, D6/130, 131, 132, 86; D14/65; 211/87, 88, 90, 99; 108/28, 30, 152, 25**

[56] **References Cited**

U.S. PATENT DOCUMENTS

- D. 183,523 9/1958 Jensen D6/86
- 184,994 11/1876 Rallo .
- D. 187,636 4/1960 Nagel .
- D. 222,913 2/1972 Searcy D6/130
- D. 226,156 1/1973 Fitzgibbon .
- D. 228,854 10/1973 Maurer-Becker D6/131
- D. 267,842 2/1983 Brescia et al. D6/116
- 601,550 3/1898 Broughton .
- 658,880 10/1900 Tandy .
- 824,150 6/1906 De Saint Chamas .
- 886,534 5/1908 Myers .
- 1,090,724 3/1914 Koehler .
- 1,530,793 3/1925 Stephens .
- 1,549,142 8/1925 McKenzie et al. .
- 1,551,434 8/1925 Shiffer .
- 1,557,989 10/1925 Dombrosky .
- 1,559,398 10/1925 Anderson .
- 1,569,459 1/1926 Colbert et al. .

- 1,657,049 1/1928 Van Sicklen, Jr. .
- 1,680,668 8/1928 De Boer .
- 1,831,509 11/1931 Rinehardt .
- 1,891,463 12/1932 Yock .
- 2,239,881 4/1941 Davis .
- 2,578,775 12/1951 Belsinger .
- 2,613,000 10/1952 Moore .
- 2,793,762 5/1957 Broussard .
- 2,929,513 3/1960 Herzberg .
- 2,957,584 10/1960 Jenkins .
- 3,447,199 6/1969 Trimble .
- 3,458,113 7/1969 Swartzbaugh .
- 4,074,635 2/1978 Stauble .
- 4,181,382 1/1980 Harvey .

FOREIGN PATENT DOCUMENTS

1454706 11/1976 United Kingdom .

Primary Examiner—B. J. Bullock

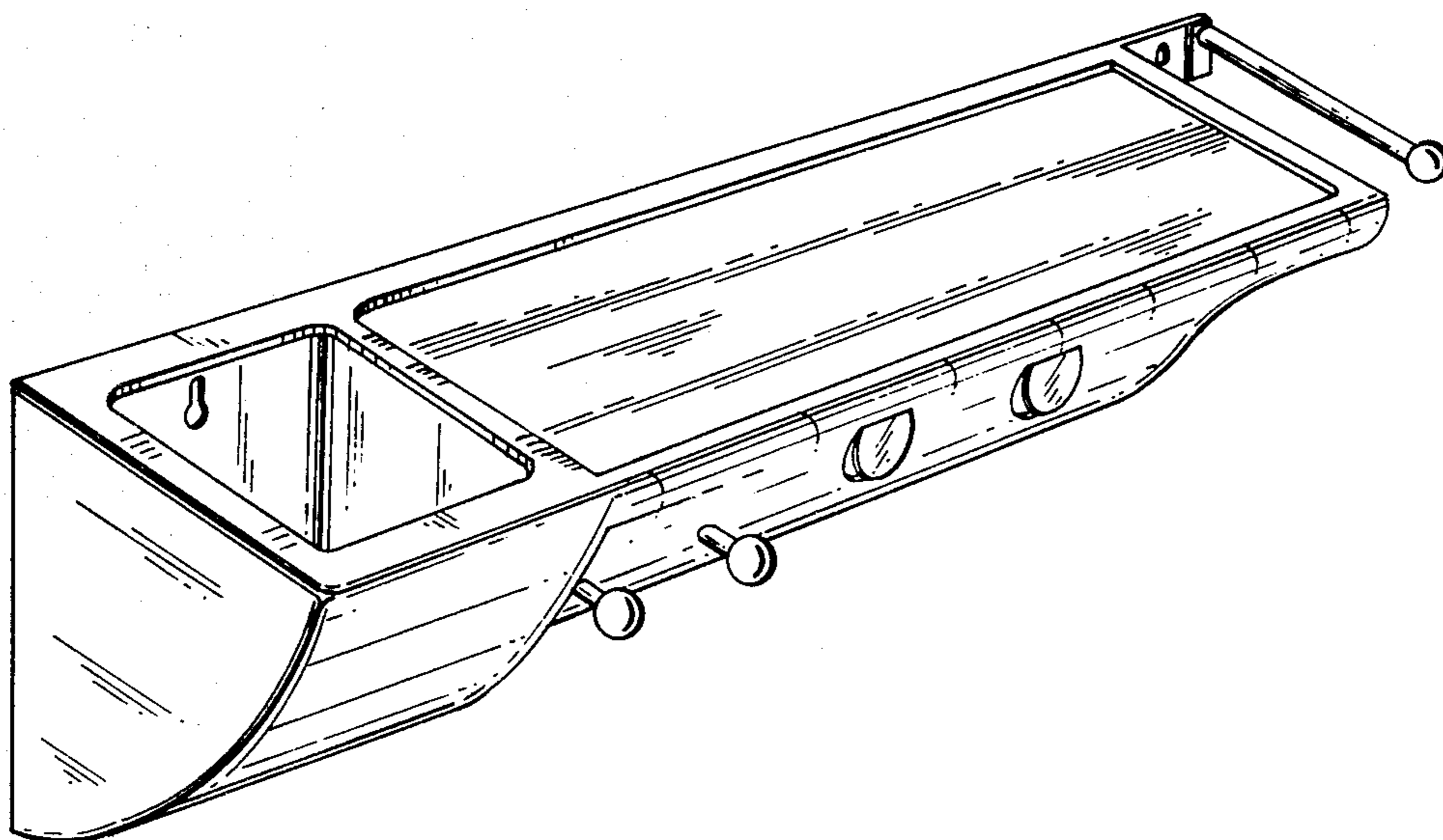
Attorney, Agent, or Firm—Lerner, David, Littenberg, Krumholz & Mentlik

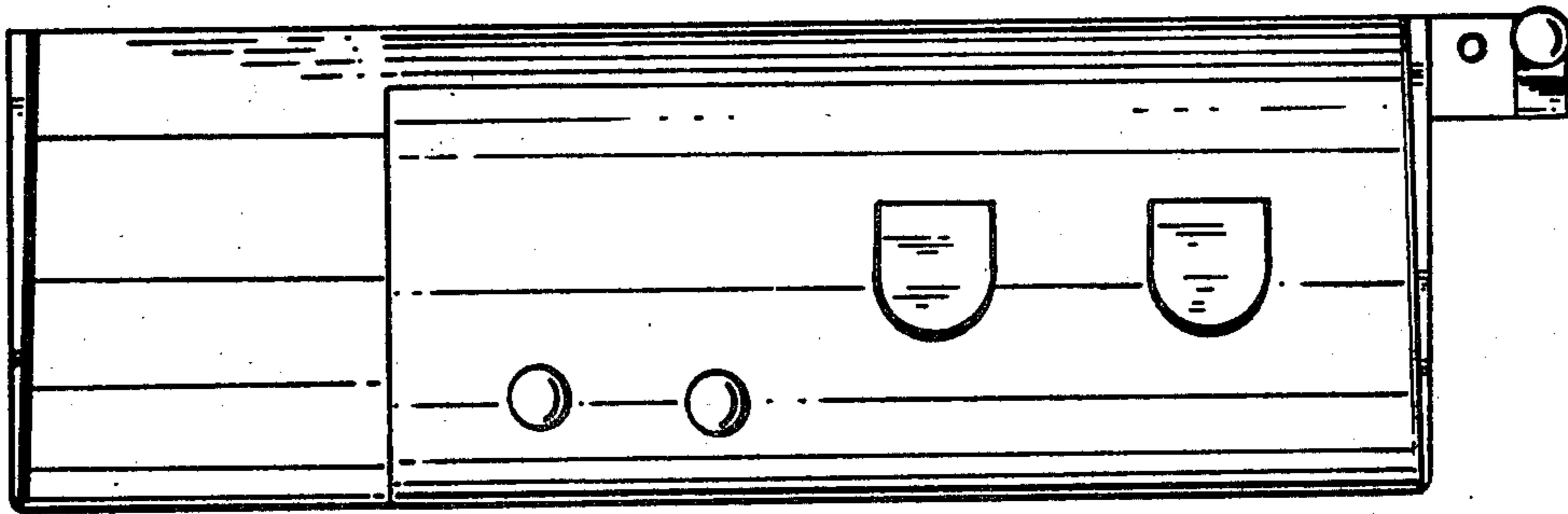
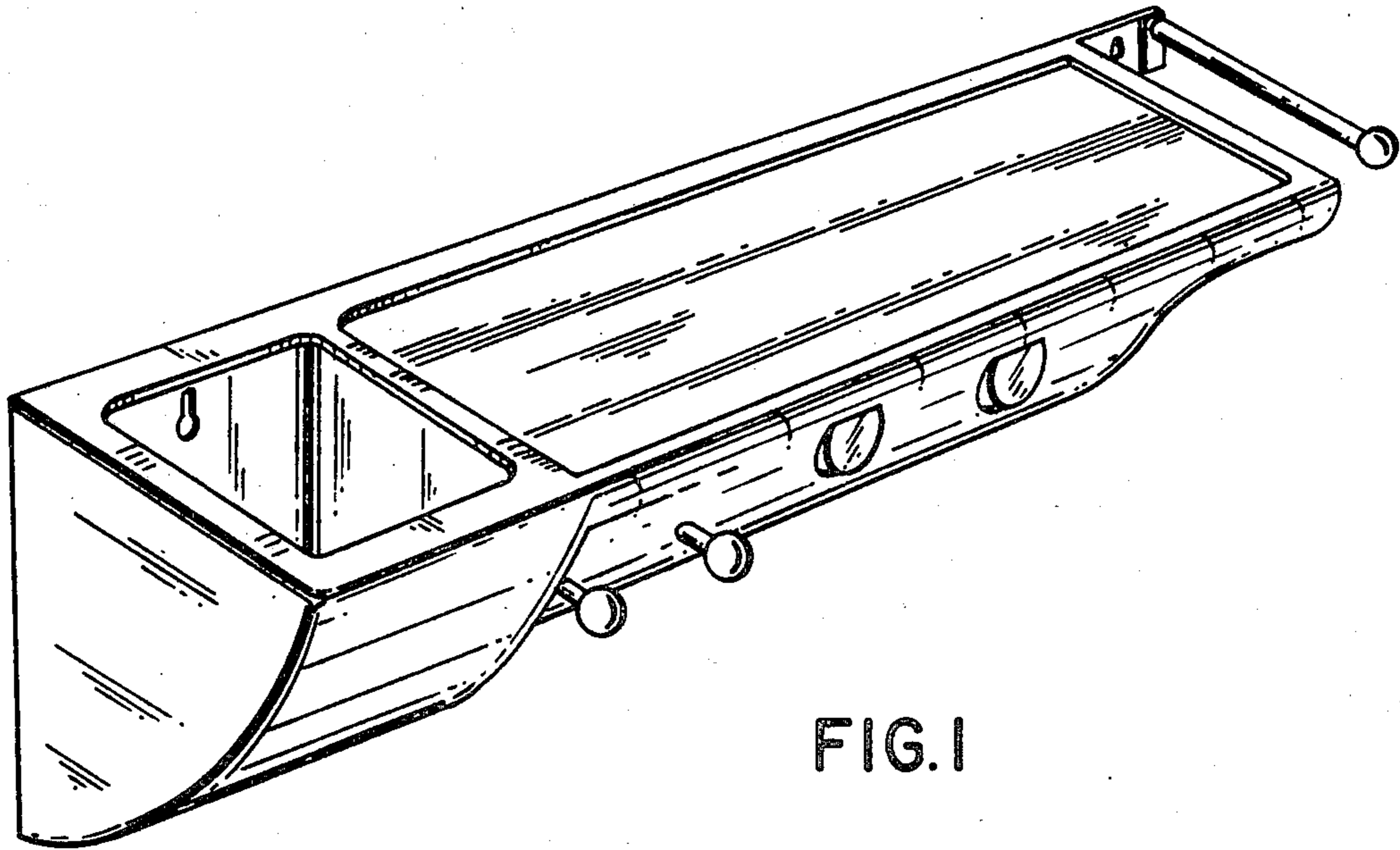
[57] **CLAIM**

The ornamental design for a combined shelf and storage unit, as shown.

DESCRIPTION

FIG. 1 is a perspective view of a combined shelf and storage unit showing my new design;
 FIG. 2 is a front elevational view thereof;
 FIG. 3 is a rear elevational view thereof;
 FIG. 4 is a side elevational view taken from the left of FIG. 1;
 FIG. 5 is a side elevational view taken from the right of FIG. 1;
 FIG. 6 is a top plan view thereof;
 FIG. 7 is a bottom plan view thereof.





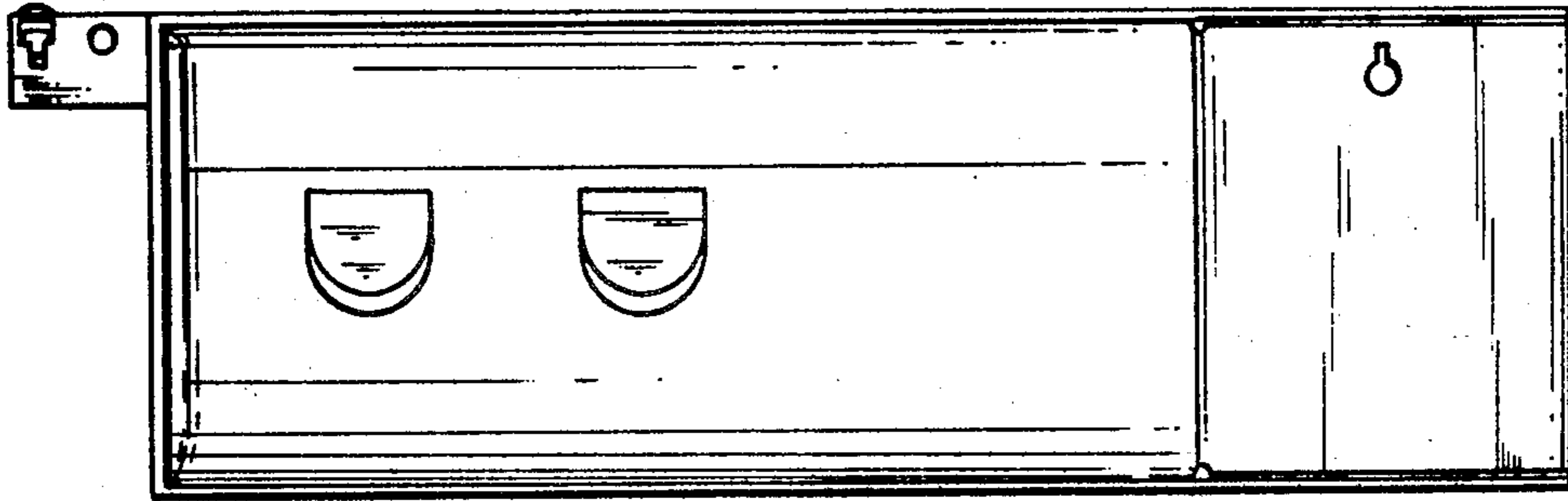


FIG. 3

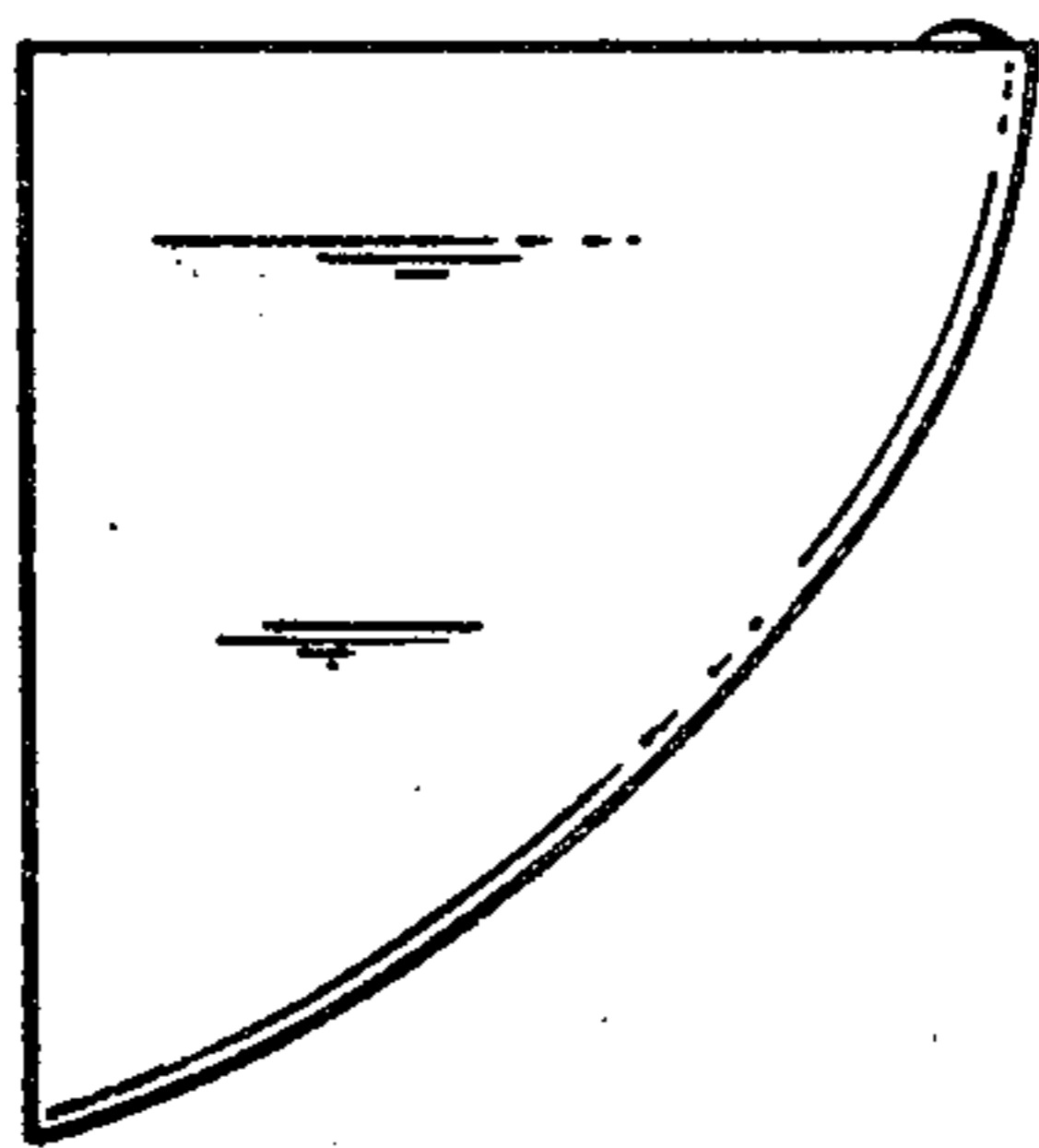


FIG. 4

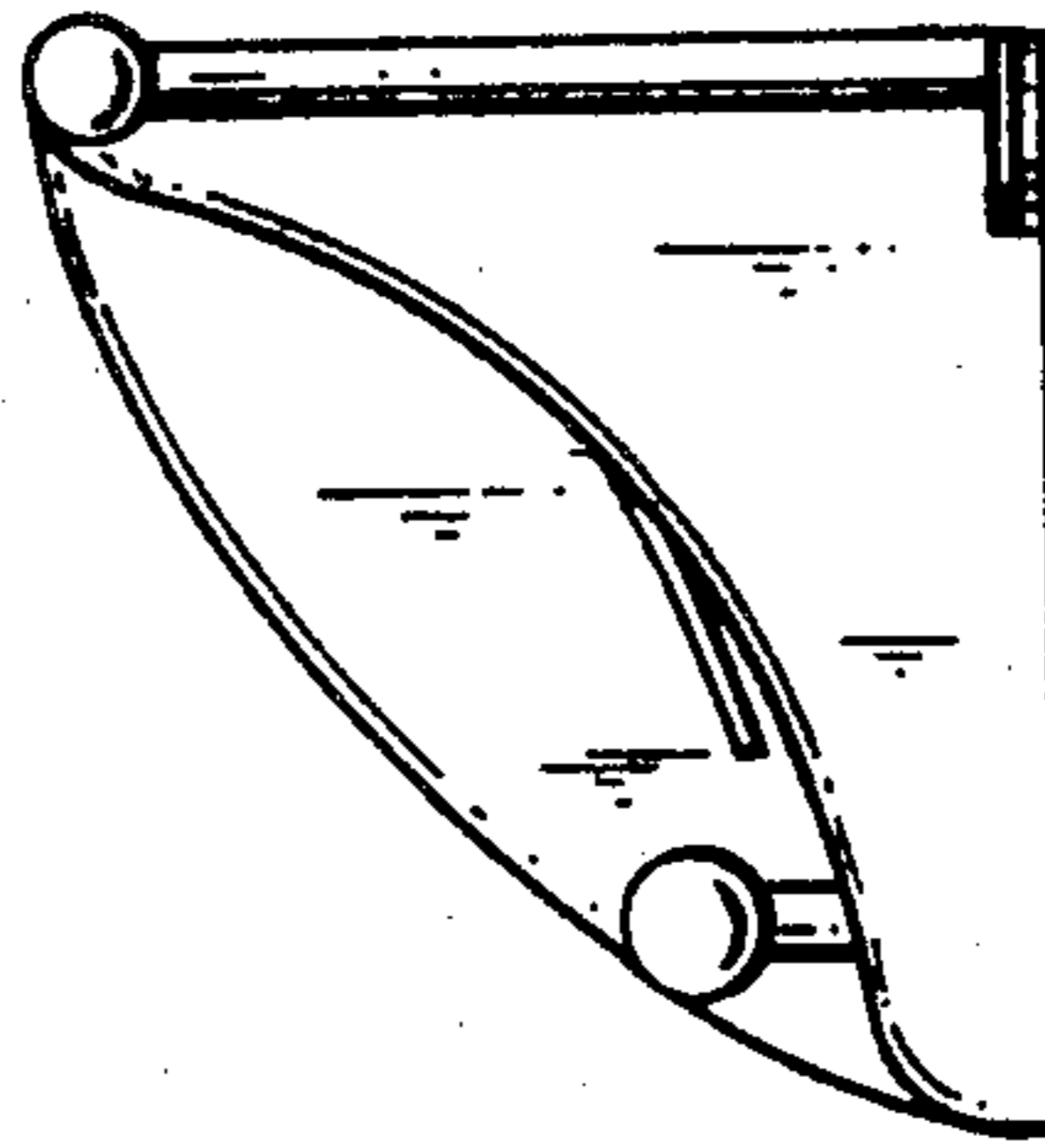


FIG. 5

FIG. 6

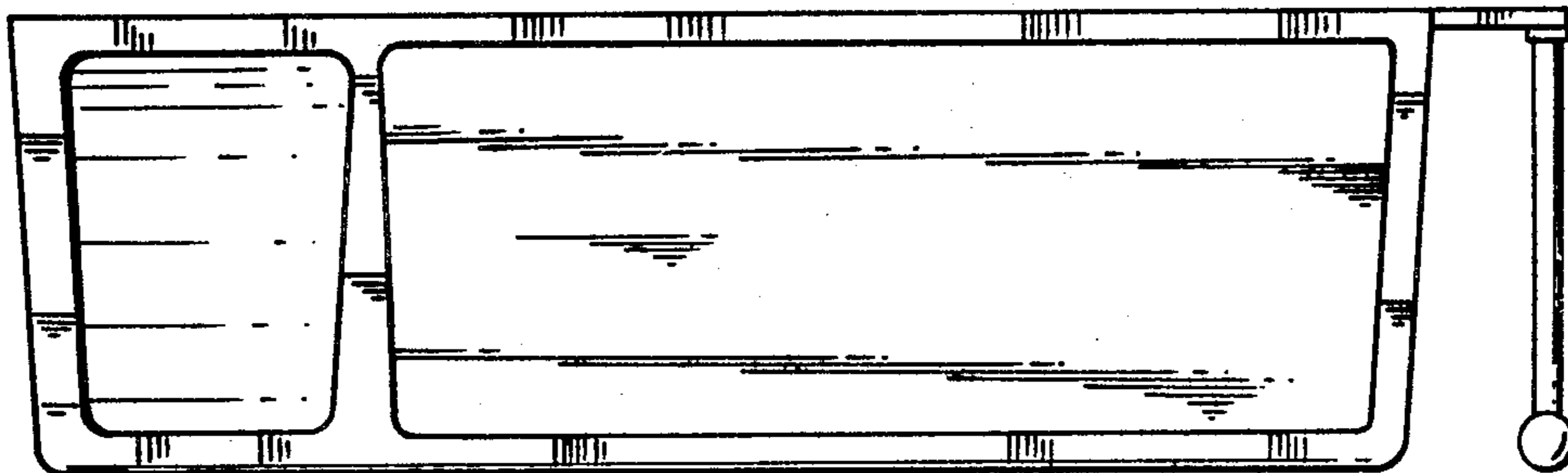


FIG. 7

