

[54] SUSPENDED SUPPORT FOR PLANTS, CANDLES OR THE LIKE

4,159,094 6/1979 Stekoll et al. .... D6/113

[76] Inventors: David M. F. Chan, 1213 King Dr., El Cerrito, Calif. 94530; Michael L. F. Chan, 1407 Arch St., Berkeley, Calif. 94708

[\*\*] Term: 14 Years

[21] Appl. No.: 381,005

[22] Filed: May 21, 1982

[52] U.S. Cl. .... D6/514; D6/405; D11/141; D26/9

[58] Field of Search ..... D6/113, 137; D11/148, D11/141; D26/9, 10, 13, 20, 22; 431/288, 295; 248/317, 318; 211/13, 113, 115, 117, 118, 119; 47/67

[56] References Cited

U.S. PATENT DOCUMENTS

D. 222,949	2/1972	Souder .....	D6/113
D. 265,153	6/1982	Laurenzi .....	D6/113
688,110	12/1901	Nehr .....	431/295
4,025,012	5/1977	Chan et al. ....	D6/137

OTHER PUBLICATIONS

Gifts & Decorative Accessories; 9/73; p. 95; Candleholder CA089 (lower right).

Home Lighting & Accessories; 2/78; p. 12; Hanging Candleholder 375B (top right).

Primary Examiner—B. J. Bullock

Attorney, Agent, or Firm—Robert R. Tipton

[57] CLAIM

The ornamental design for a suspended support for plants, candles or the like, as shown.

DESCRIPTION

FIG. 1 is a front elevational view of a suspended support for plants, candles or the like showing our new design;

FIG. 2 is a rear elevational view thereof;

FIG. 3 is a side elevational view taken from the left of FIG. 1;

FIG. 4 is a side elevational view taken from the right of FIG. 1;

FIG. 5 is a top view thereof; and

FIG. 6 is a bottom view thereof.

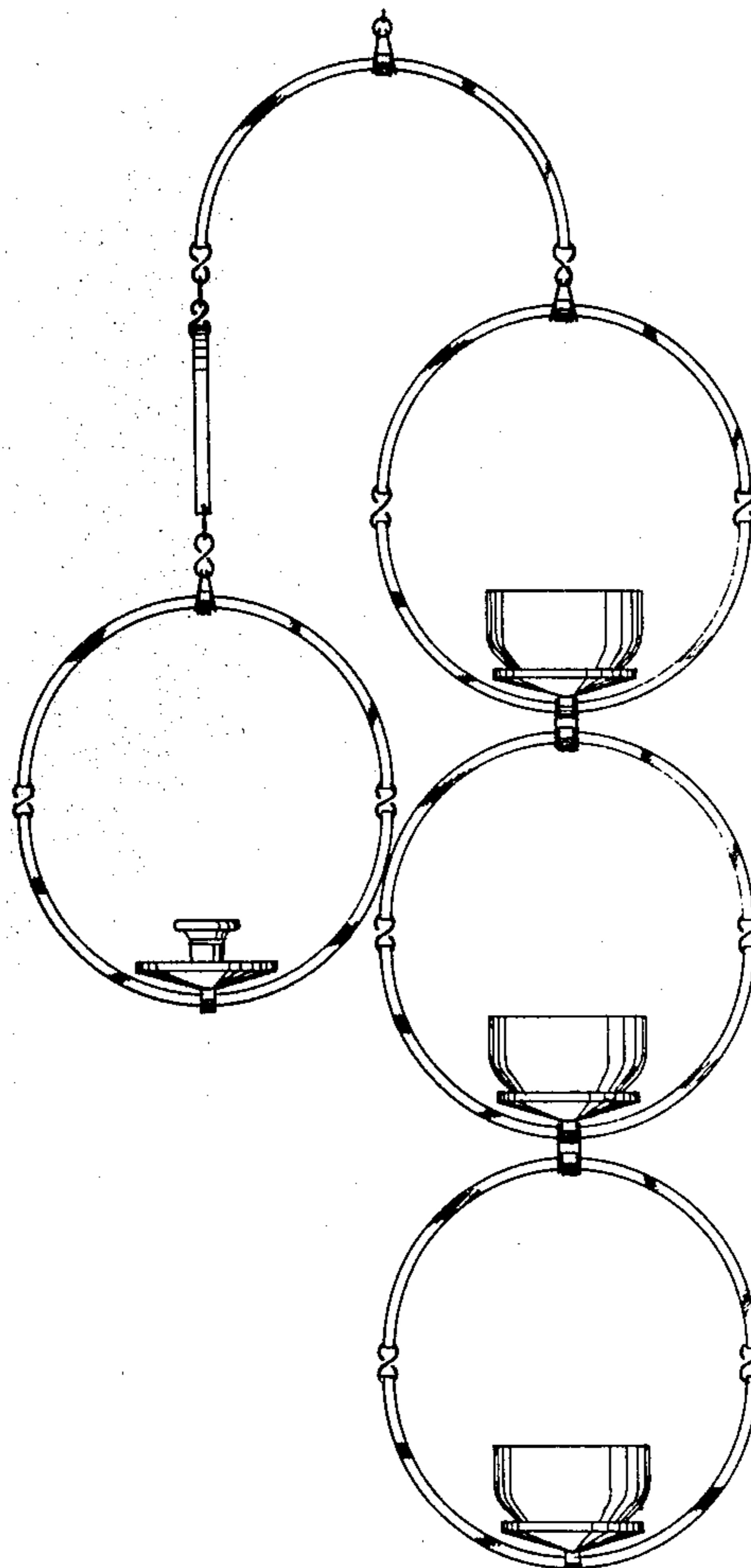


FIG. 1

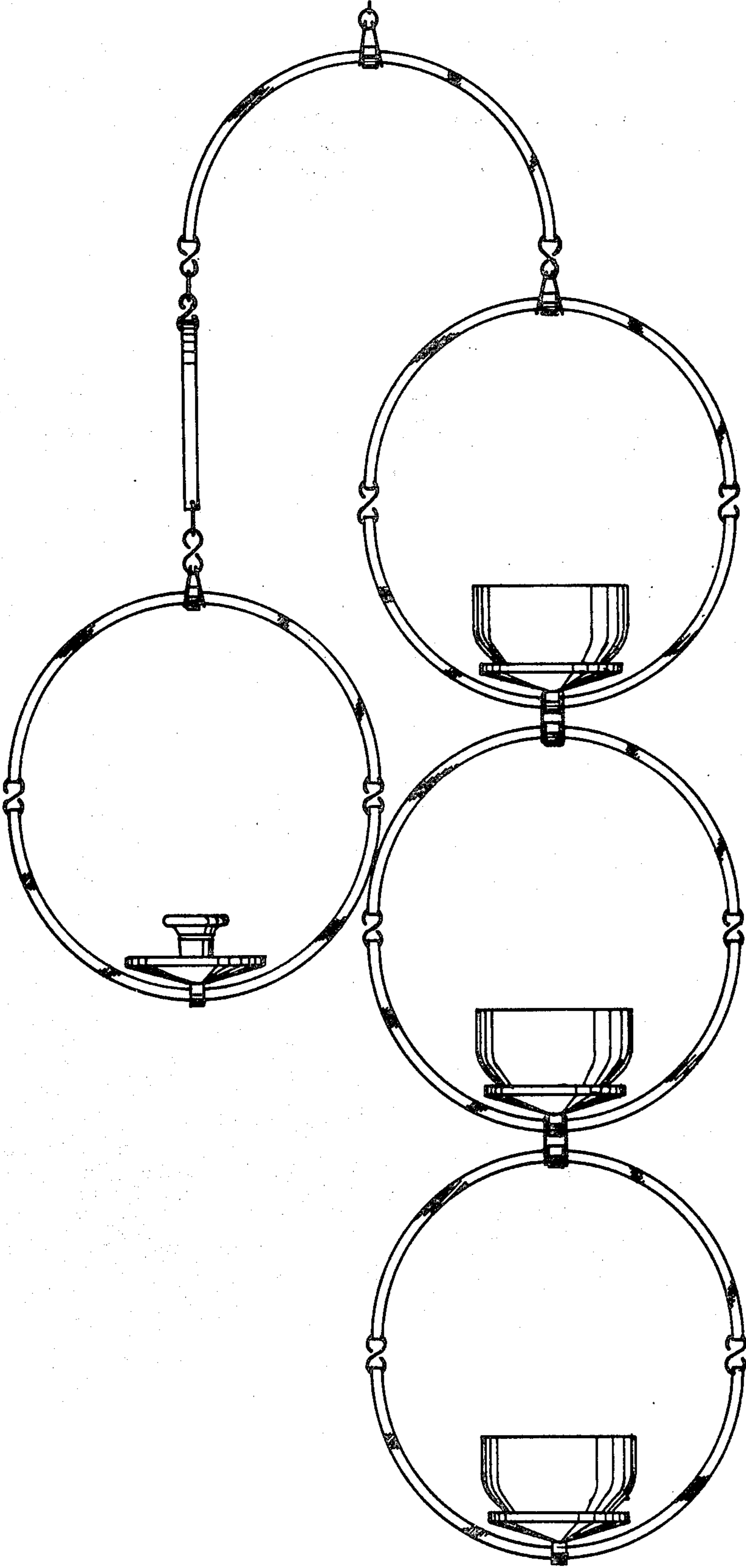


FIG. 2

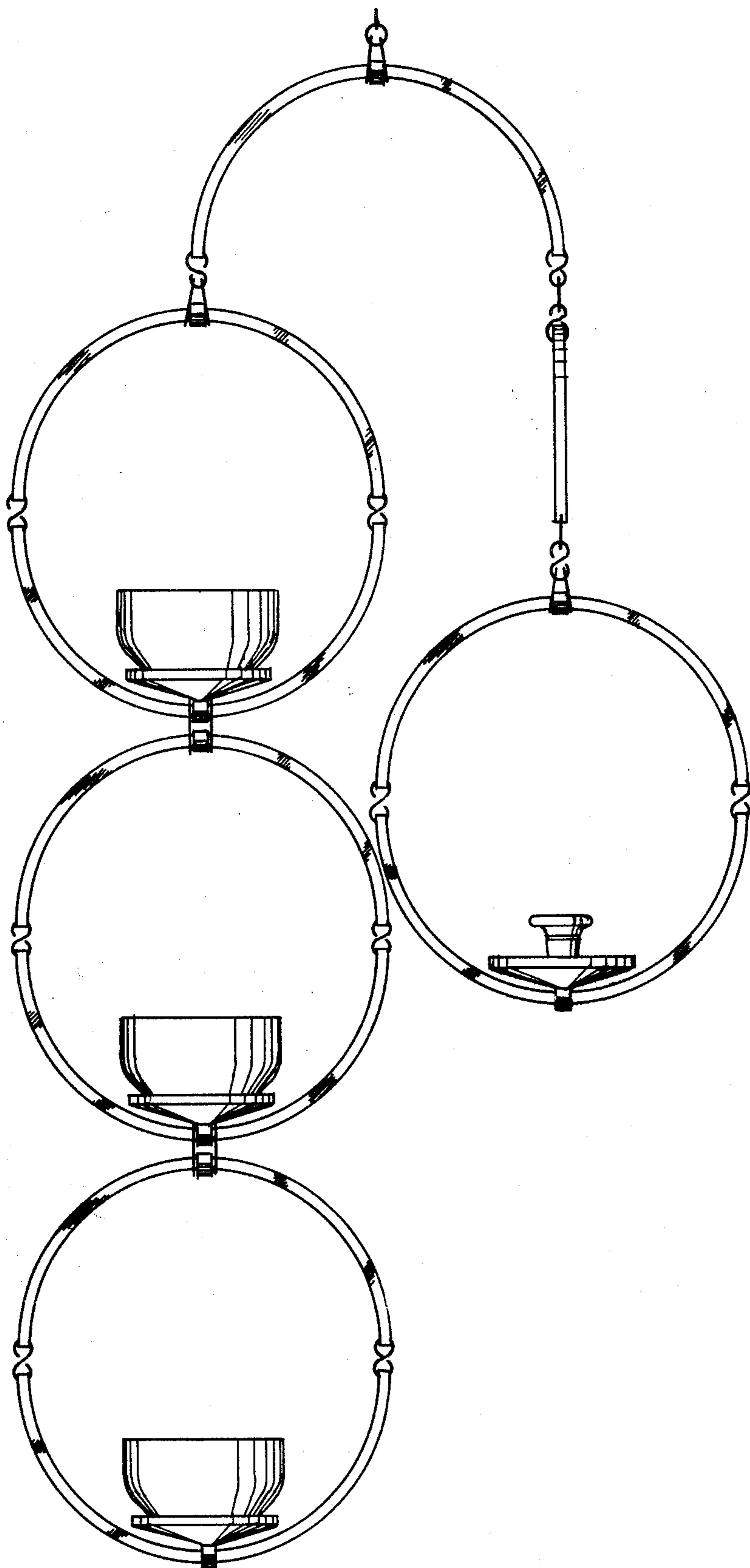


FIG. 3

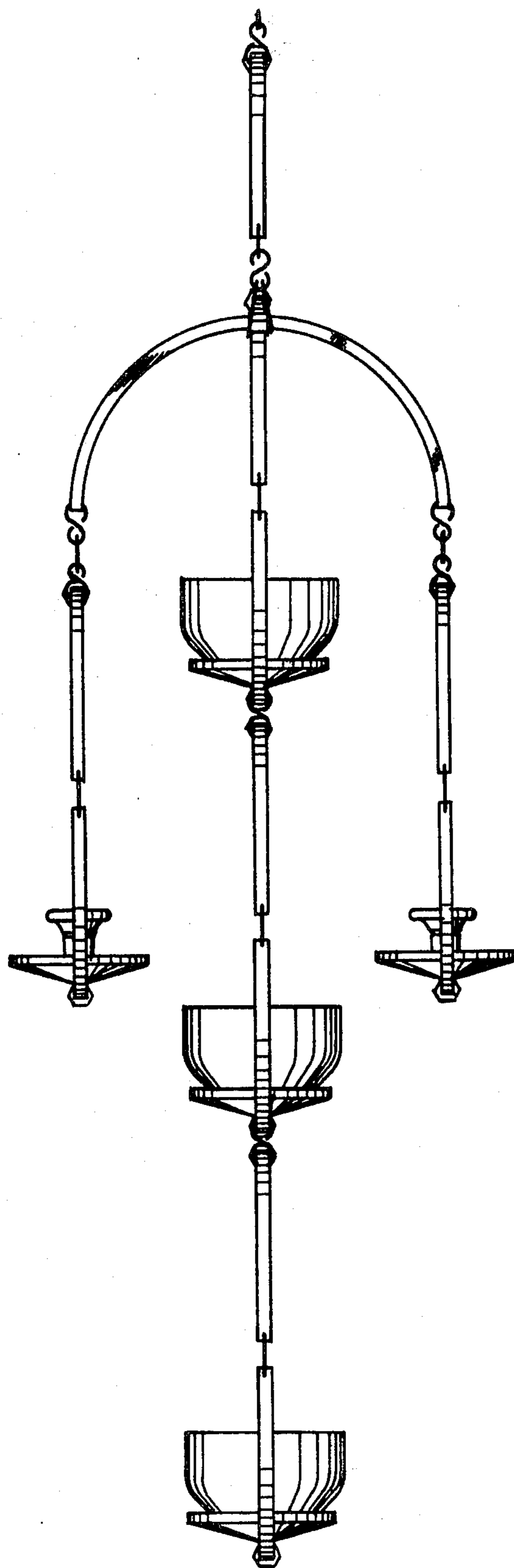


FIG. 4

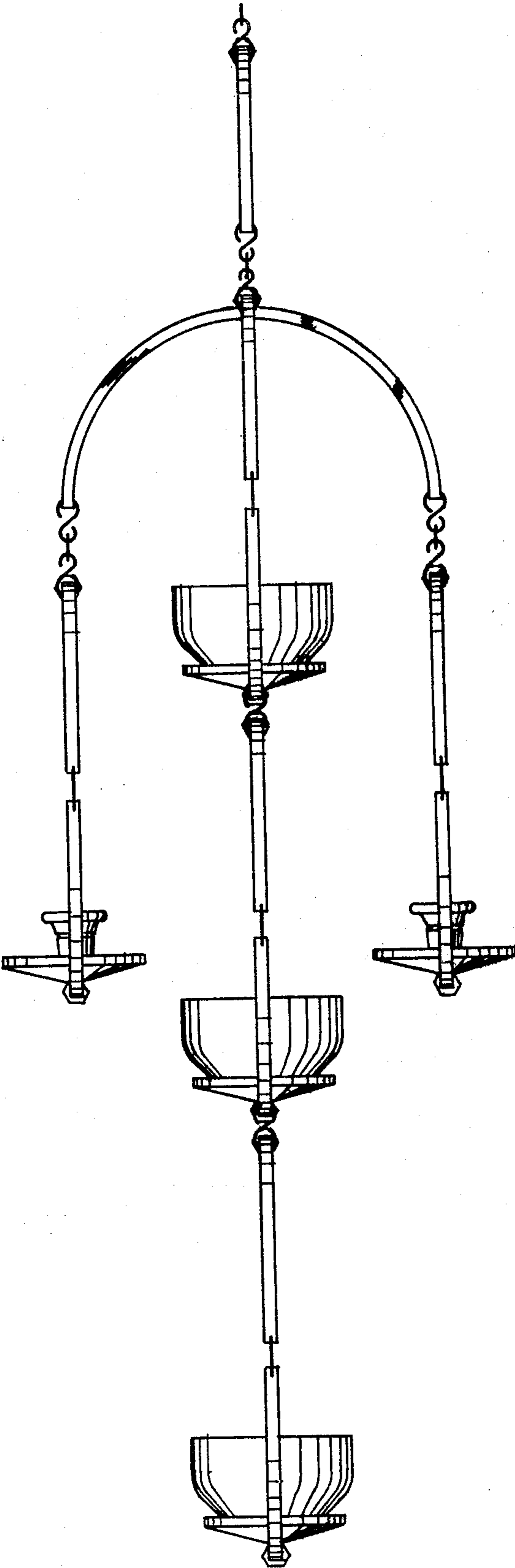


FIG. 5

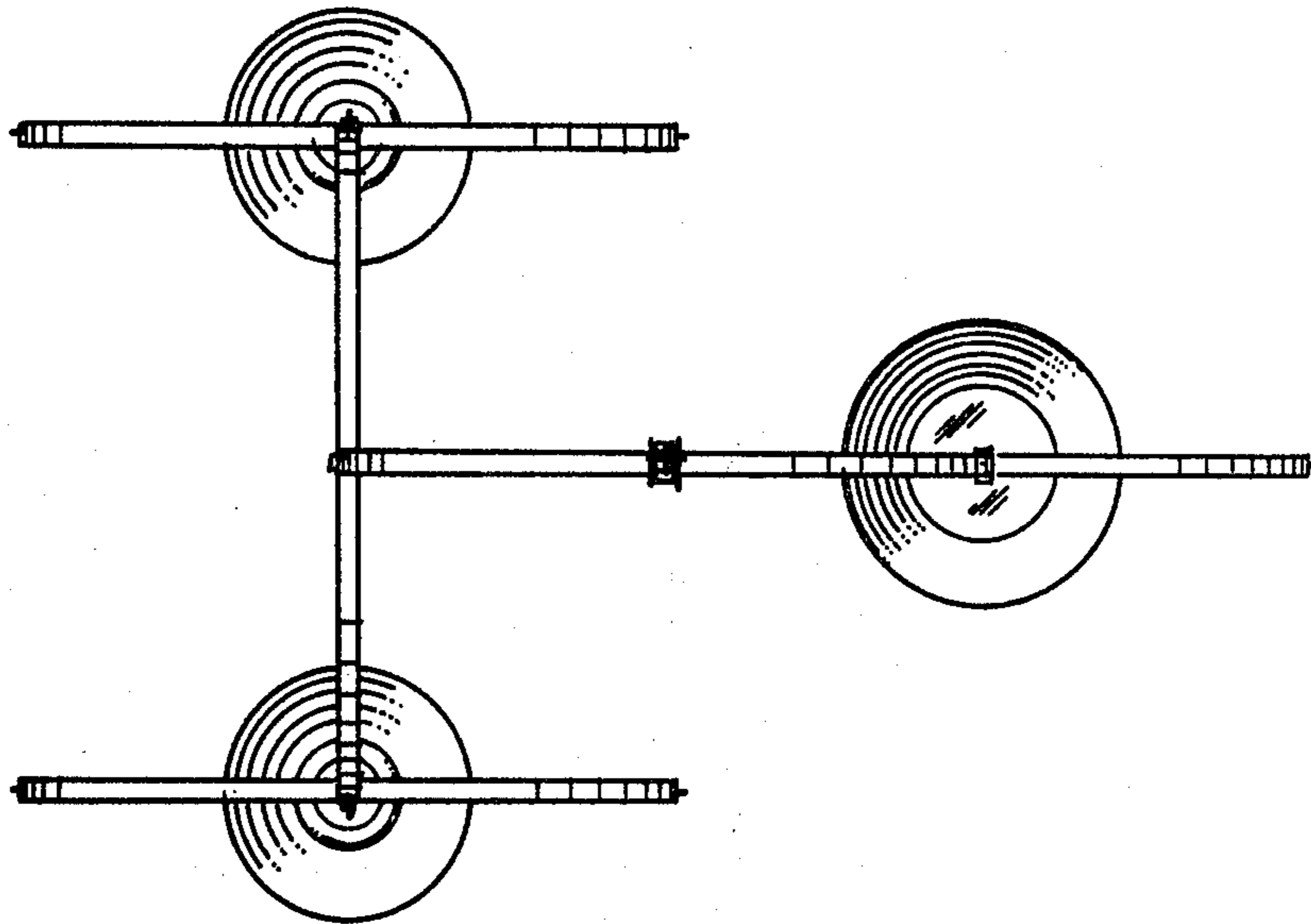


FIG. 6

