

[54] SUSPENDABLE BOTTLE RACK

[76] Inventor: Aric W. Moore, 4411 Romlon St.
#201, Beltsville, Md. 20705

[**] Term: 14 Years

[21] Appl. No.: 276,677

[22] Filed: Jun. 25, 1981

[52] U.S. Cl. D6/514; D6/470;
D6/478; D7/71

[58] Field of Search D7/71; D6/113, 132,
D6/136, 189, 85, 172, 175, 157; 211/74, 113

[56] References Cited

U.S. PATENT DOCUMENTS

D. 119,582 3/1940 Williams et al. D6/189

D. 200,488	3/1965	Watson	D7/71 X
D. 237,729	11/1975	Coppa	D6/175 X
349,255	9/1886	Jackson	211/113 X
1,833,081	11/1931	Kilmer	D7/71 X
4,327,836	5/1982	Okuno	211/74

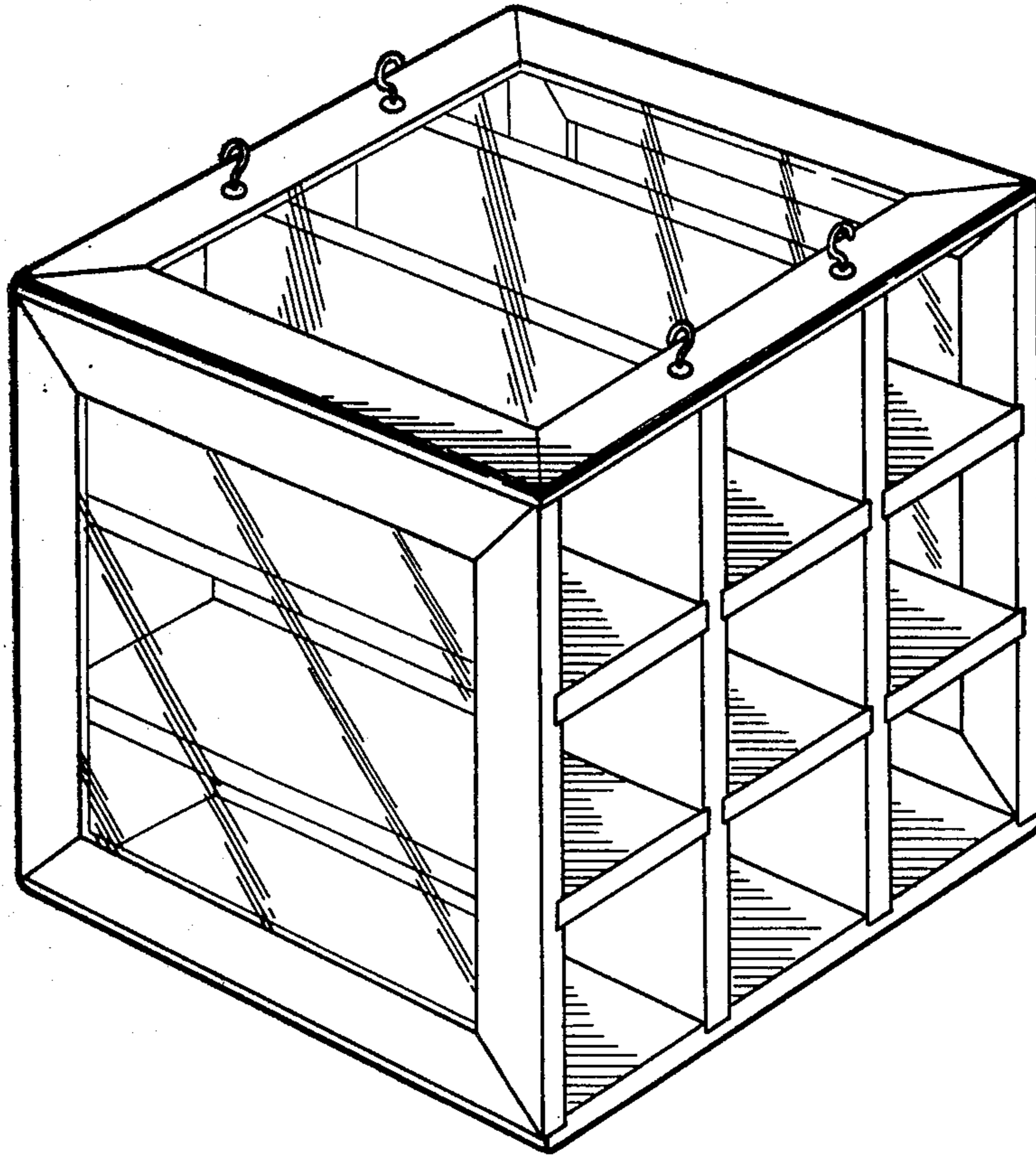
Primary Examiner—Joel Stearman
Assistant Examiner—Carmen H. Vales

[57] CLAIM

The ornamental design for a suspendable bottle rack, as shown.

DESCRIPTION

FIG. 1 is a perspective view of a suspendable bottle rack showing my new design;
FIG. 2 is a front elevational view thereof;
FIG. 3 is a right side elevational view thereof; and
FIG. 4 is a top plan view thereof.



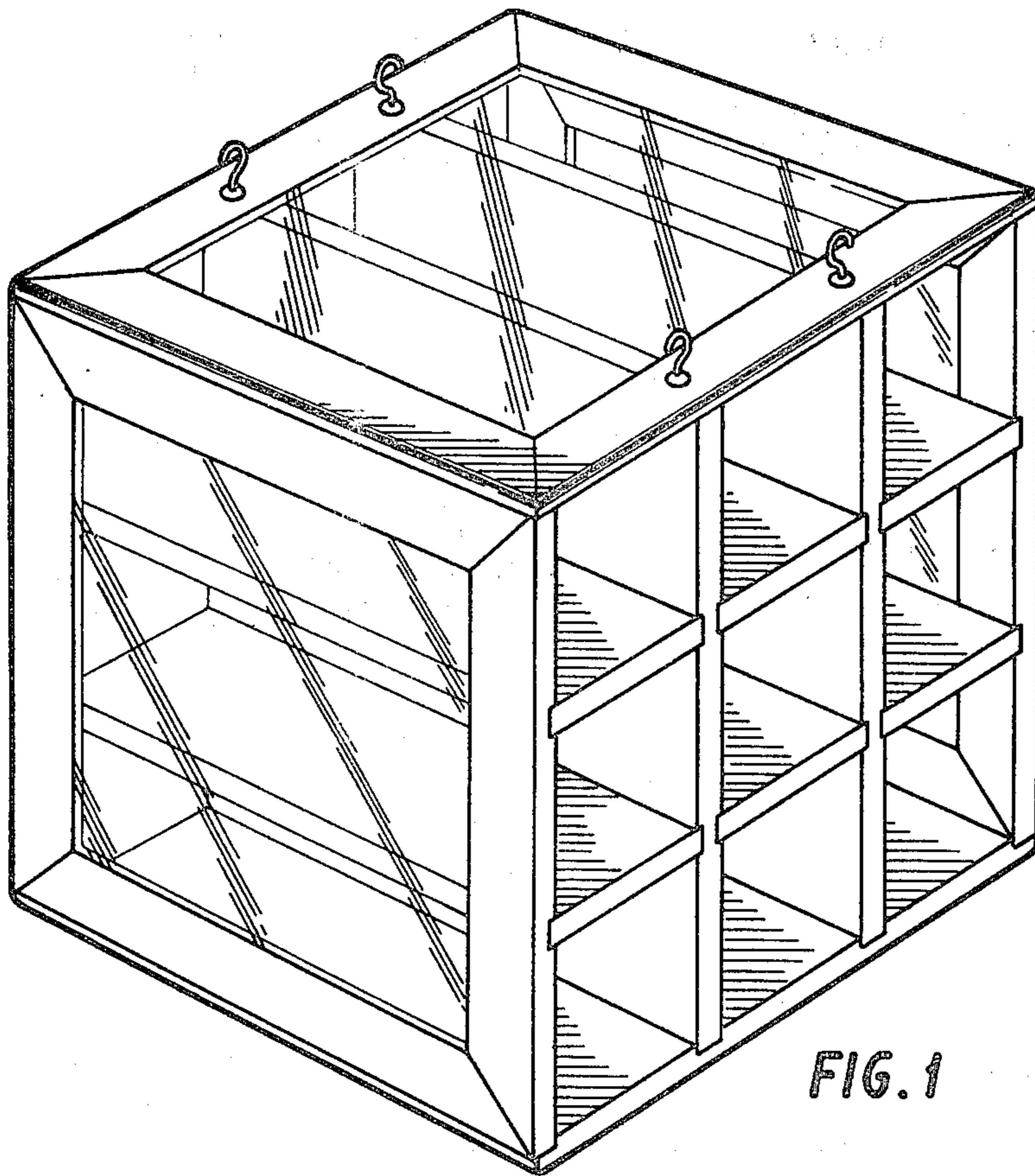


FIG. 1

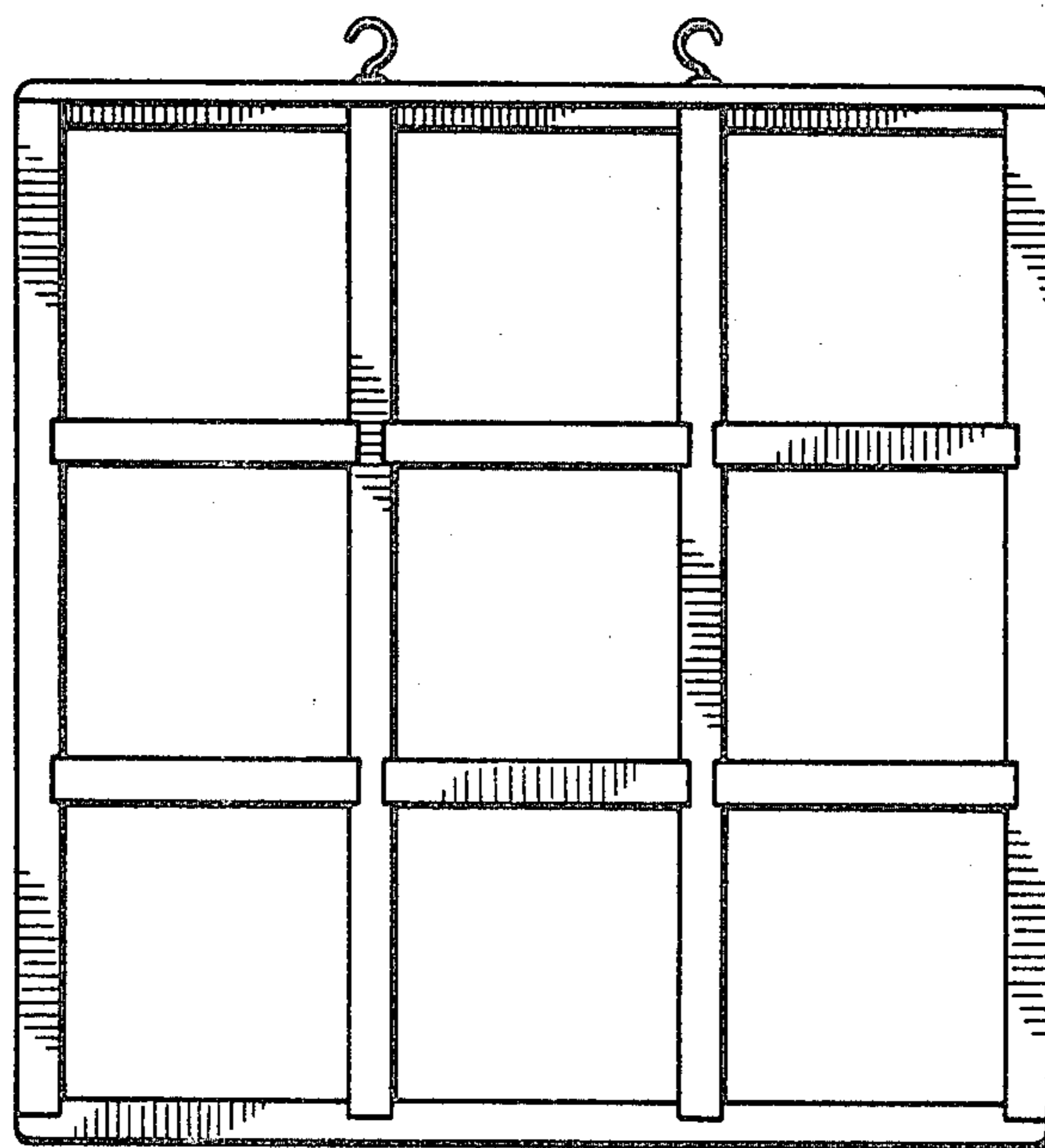


FIG. 2

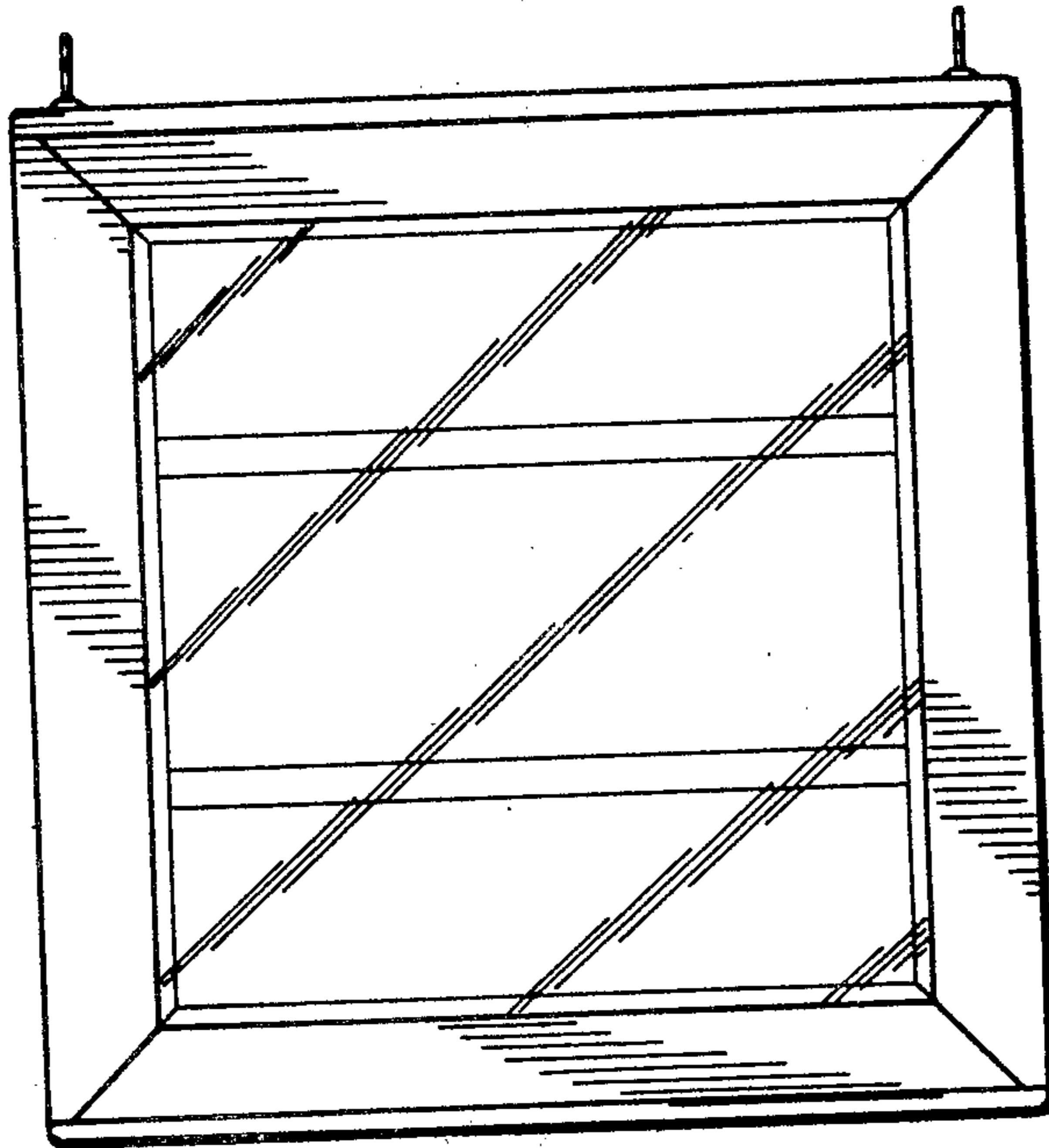


FIG. 3

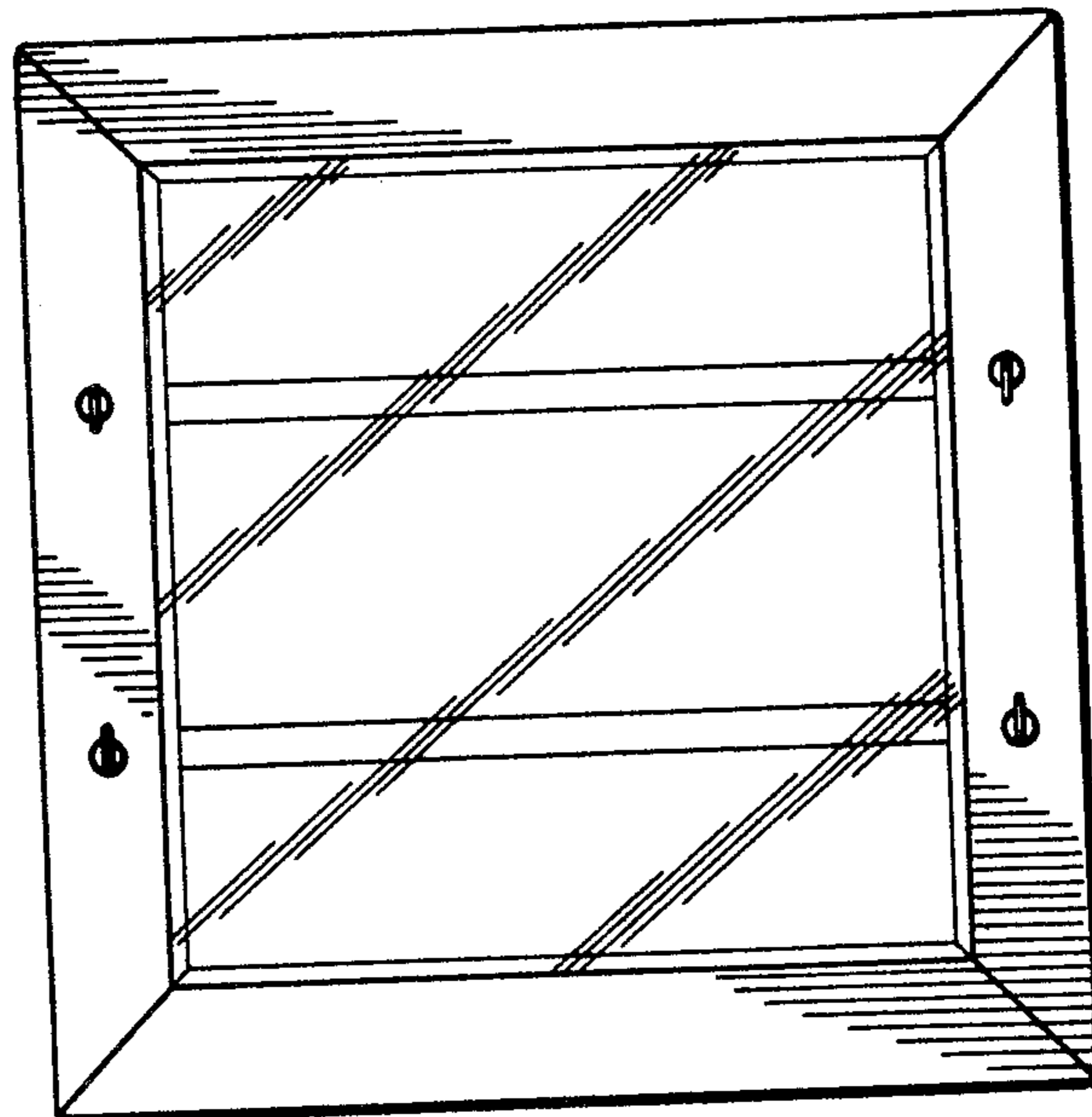


FIG. 4